

TO: ALL HOLDERS OF FAN DUCT COWL ASSEMBLY COMPONENT MAINTENANCE MANUAL 71-11-32

REVISION NO. 8 DATED JUL 01/03

HIGHLIGHTS

Pages which have been added or revised are outlined below together with the highlights of the revision. Remove and insert the affected pages as listed and enter Revision No. and date to the Record of Revision Sheet.

CHAPTER/SECTION

AND PAGE NO.

DESCRIPTION OF CHANGE

TR & SB RECORD

Incorporated Service Bulletin 767-78A0089.

1

301-303

714

1064E,1064L,1064U-1064V,

10880-1088P,1098K-1098S

501-502

Updated Illustrated Parts List to include Fig. 9 and 12.

REPAIR 8-1

601-610,613

705

1002-1064D,1064P-1064Q,

1064W,1064Z-1074G,

1074M-1076E,1076Q-1078R,

1080G-1084,1084C-1084I,

1084M-1084V,1085-1086W,

1088H,1088R-1096A,

1096M-1098

1098A-1098I

71-11-32

HIGHLIGHTS

01.1

Page 1

Jul 01/03

FAN DUCT COWL ASSEMBLY (JT9D)

PART NUMBERS 315T3002-63 THRU -71,-73,-75,
-77,-79,-81,-83,-85,
-87,-88,-98,-100

COMPONENT MAINTENANCE MANUAL
WITH
ILLUSTRATED PARTS LIST

71-11-32

TITLE PAGE

Page 1

Sep 01/95

01.1



REVISION RECORD

- Retain this record in front of manual. On receipt of revision, insert revised pages in the manual, and enter revision number, date inserted and initial.

REVISION NUMBER	REVISION DATE	DATE FILED	BY	REVISION NUMBER	REVISION DATE	DATE FILED	BY


BOEING
 COMPONENT
 MAINTENANCE MANUAL
TEMPORARY REVISION AND SERVICE BULLETIN RECORD

BOEING SERVICE BULLETIN	BOEING TEMPORARY REVISION	OTHER DIRECTIVE	DATE OF INCORPORATION INTO MANUAL
SB 78-12 SB 78-20 SB 78-20 SB 78-74 SB 78-0020 R1 SB 78-0069 R1 SB 78A0089		PRR B11287 PRR B11639 PRR C12332 PRR B11539 PRR B11403 PRR B12493	OCT 01/90 APR 01/88 APR 01/88 APR 01/88 APR 01/88 OCT 01/90 MAR 01/95 MAR 01/95 MAR 01/95 JUL 01/03

71-11-32

TR & SB RECORD

01.1

Page 1

Jul 01/03


BOEING
 COMPONENT
 MAINTENANCE MANUAL

PAGE	DATE	CODE	PAGE	DATE	CODE
71-11-32			CHECK		
			*501	JUL 01/03	01.1
			*502	JUL 01/03	01.1
TITLE PAGE			REPAIR-GENERAL		
1	SEP 01/95	01.1	601	SEP 01/95	01.1
2	BLANK		602	SEP 01/95	01.101
REVISION RECORD			603	MAR 01/95	01.1
1	APR 10/87	01.1	604	BLANK	
2	BLANK		REPAIR 1-1		
TR & SB RECORD			601	APR 01/88	01.1
*1	JUL 01/03	01.1	602	APR 01/88	01.1
2	BLANK		603	APR 10/87	01.1
LIST OF EFFECTIVE PAGES			604	BLANK	
*1	JUL 01/03	01	REPAIR 2-1		
THRU LAST PAGE			601	APR 10/86	01
CONTENTS			602	BLANK	
1	MAR 01/95	01.1	REPAIR 3-1		
2	BLANK		601	DEC 01/95	01.1
INTRODUCTION			602	DEC 01/95	01.1
1	MAR 01/95	01.1	603	DEC 01/95	01.1
2	BLANK		604	BLANK	
DESCRIPTION & OPERATION			REPAIR 4-1		
1	APR 10/86	01	601	SEP 01/95	01.1
2	BLANK		602	SEP 01/95	01.1
DISASSEMBLY			603	SEP 01/95	01.1
*301	JUL 01/03	01.1	604	APR 10/86	01
*302	JUL 01/03	01.1	605	APR 10/86	01
*303	JUL 01/03	01.1	606	BLANK	
*304	BLANK		REPAIR 5-1		
CLEANING			601	SEP 01/95	01.1
401	APR 10/86	01	602	SEP 01/95	01.1
402	BLANK		REPAIR 6-1		
			601	JUL 01/92	01.1
			602	APR 10/87	01.1
			603	APR 10/87	01.1
			604	BLANK	

* = REVISED, ADDED OR DELETED

71-11-32

EFFECTIVE PAGES
CONTINUED Page 1
01 Jul 01/03

PAGE	DATE	CODE	PAGE	DATE	CODE
REPAIR 7-1			ASSEMBLY		CONT.
601	SEP 01/95	01.1	*709	JUL 01/03	01.101
602	SEP 01/95	01.1	*710	JUL 01/03	01.101
603	SEP 01/95	01.1	*711	JUL 01/03	01.101
604	JUL 01/92	01.101	*712	JUL 01/03	01.101
			*713	JUL 01/03	01.101
REPAIR 8-1			*714	JUL 01/03	01.1
*601	JUL 01/03	01.1	*715	JUL 01/03	01.101
*602	JUL 01/03	01.1	*716	JUL 01/03	01.101
*603	JUL 01/03	01.1	*717	JUL 01/03	01.101
*604	JUL 01/03	01.1	*718	JUL 01/03	01.101
*605	JUL 01/03	01.1	*719	JUL 01/03	01.101
*606	JUL 01/03	01.1	720	MAR 01/95	01.101
*607	JUL 01/03	01.1	721	MAR 01/95	01.101
*608	JUL 01/03	01.1	722	MAR 01/95	01.101
*609	JUL 01/03	01.1	723	MAR 01/95	01.101
*610	JUL 01/03	01.1	724	MAR 01/95	01.101
*611	JUL 01/03	01.101	725	MAR 01/95	01.101
*612	JUL 01/03	01.101	726	MAR 01/95	01.1
*613	JUL 01/03	01.1	727	MAR 01/95	01.1
*614	JUL 01/03	01.101	728	MAR 01/95	01.1
*615	JUL 01/03	01.101			
*616	JUL 01/03	01.101	FITS AND CLEARANCES		
*617	JUL 01/03	01.101	801	DEC 01/95	01.1
*618	JUL 01/03	01.101	802	DEC 01/95	01.1
*619	JUL 01/03	01.101	803	DEC 01/95	01.1
*620	JUL 01/03	01.101	804	DEC 01/95	01.1
*621	JUL 01/03	01.101			
*622	JUL 01/03	01.101	ILLUSTRATED PARTS LIST		
			1001	APR 10/86	01
REPAIR 9-1			*1002	JUL 01/03	01.1
601	SEP 01/95	01.1	*1003	JUL 01/03	01.1
602	SEP 01/95	01.1	*1004	JUL 01/03	01.1
			*1005	JUL 01/03	01.1
ASSEMBLY			*1006	JUL 01/03	01.1
701	JUL 01/92	01.1	*1007	JUL 01/03	01.1
702	APR 10/87	01.1	*1008	JUL 01/03	01.1
703	APR 10/86	01	*1009	JUL 01/03	01.1
704	APR 10/87	01.1	*1010	JUL 01/03	01.1
*705	JUL 01/03	01.1	*1011	JUL 01/03	01.1
*706	JUL 01/03	01.101	*1012	JUL 01/03	01.1
*707	JUL 01/03	01.101	*1013	JUL 01/03	01.1
*708	JUL 01/03	01.101	*1014	JUL 01/03	01.1

* = REVISED, ADDED OR DELETED

71-11-32

 EFFECTIVE PAGES
 CONTINUED Page 2
 01 Jul 01/03


BOEING
 COMPONENT
 MAINTENANCE MANUAL

PAGE	DATE	CODE	PAGE	DATE	CODE
ILLUSTRATED PARTS LIST		CONT.	ILLUSTRATED PARTS LIST		CONT.
*1015	JUL 01/03	01.1	*1057	JUL 01/03	01.1
*1016	JUL 01/03	01.1	*1058	JUL 01/03	01.1
*1017	JUL 01/03	01.1	*1059	JUL 01/03	01.1
*1018	JUL 01/03	01.1	*1060	JUL 01/03	01.1
*1019	JUL 01/03	01.1	*1060A	JUL 01/03	01.1
*1020	JUL 01/03	01.1	*1060B	JUL 01/03	01.1
*1021	JUL 01/03	01.1	*1060C	JUL 01/03	01.1
*1022	JUL 01/03	01.1	*1060D	JUL 01/03	01.1
*1023	JUL 01/03	01.1	*1060E	JUL 01/03	01.1
*1024	JUL 01/03	01.1	*1060F	JUL 01/03	01.1
*1025	JUL 01/03	01.1	*1060G	JUL 01/03	01.1
*1026	JUL 01/03	01.1	*1060H	JUL 01/03	01.1
*1027	JUL 01/03	01.1	*1060I	JUL 01/03	01.1
*1028	JUL 01/03	01.1	*1060J	JUL 01/03	01.1
*1029	JUL 01/03	01.1	*1060K	JUL 01/03	01.1
*1030	JUL 01/03	01.1	*1060L	JUL 01/03	01.1
*1031	JUL 01/03	01.1	*1060M	JUL 01/03	01.1
*1032	JUL 01/03	01.1	*1060N	JUL 01/03	01.1
*1033	JUL 01/03	01.1	*1060O	JUL 01/03	01.1
*1034	JUL 01/03	01.1	*1060P	JUL 01/03	01.1
*1035	JUL 01/03	01.1	*1060Q	JUL 01/03	01.1
*1036	JUL 01/03	01.1	*1060R	JUL 01/03	01.1
*1037	JUL 01/03	01.1	*1060S	JUL 01/03	01.1
*1038	JUL 01/03	01.1	*1060T	JUL 01/03	01.1
*1039	JUL 01/03	01.1	*1060U	JUL 01/03	01.1
*1040	JUL 01/03	01.1	*1060V	JUL 01/03	01.1
*1041	JUL 01/03	01.1	*1060W	JUL 01/03	01.1
*1042	JUL 01/03	01.1	*1060X	JUL 01/03	01.1
*1043	JUL 01/03	01.1	*1060Y	JUL 01/03	01.1
*1044	JUL 01/03	01.1	*1060Z	JUL 01/03	01.1
*1045	JUL 01/03	01.1	*1061	JUL 01/03	01.1
*1046	JUL 01/03	01.1	*1062	JUL 01/03	01.1
*1047	JUL 01/03	01.1	*1062A	JUL 01/03	01.1
*1048	JUL 01/03	01.1	*1062B	JUL 01/03	01.1
*1049	JUL 01/03	01.1	*1062C	JUL 01/03	01.1
*1050	JUL 01/03	01.1	*1062D	JUL 01/03	01.1
*1051	JUL 01/03	01.1	*1062E	JUL 01/03	01.1
*1052	JUL 01/03	01.1	*1062F	JUL 01/03	01.1
*1053	JUL 01/03	01.1	*1062G	JUL 01/03	01.1
*1054	JUL 01/03	01.1	*1062H	JUL 01/03	01.1
*1055	JUL 01/03	01.1	*1062I	JUL 01/03	01.1
*1056	JUL 01/03	01.1	*1062J	JUL 01/03	01.1

* = REVISED, ADDED OR DELETED

71-11-32

EFFECTIVE PAGES
CONTINUED Page 3
01 Jul 01/03

PAGE	DATE	CODE	PAGE	DATE	CODE
ILLUSTRATED PARTS LIST		CONT.	ILLUSTRATED PARTS LIST		CONT.
*1062K	JUL 01/03	01.1	*1064Y	JUL 01/03	01.1
*1062L	JUL 01/03	01.1	*1064Z	JUL 01/03	01.1
*1062M	JUL 01/03	01.1	*1065	JUL 01/03	01.1
*1062N	JUL 01/03	01.1	*1066	JUL 01/03	01.1
*1062O	JUL 01/03	01.1	*1066A	JUL 01/03	01.1
*1062P	JUL 01/03	01.1	*1066B	JUL 01/03	01.1
*1062Q	JUL 01/03	01.1	*1066C	JUL 01/03	01.1
*1062R	JUL 01/03	01.1	*1066D	JUL 01/03	01.1
*1062S	JUL 01/03	01.1	*1066E	JUL 01/03	01.1
*1062T	JUL 01/03	01.1	*1066F	JUL 01/03	01.1
*1062U	JUL 01/03	01.1	*1066G	JUL 01/03	01.1
*1062V	JUL 01/03	01.1	*1066H	JUL 01/03	01.1
*1062W	JUL 01/03	01.1	*1066I	JUL 01/03	01.1
*1062X	JUL 01/03	01.1	*1066J	JUL 01/03	01.1
*1062Y	JUL 01/03	01.1	*1066K	JUL 01/03	01.1
*1062Z	JUL 01/03	01.1	*1066L	JUL 01/03	01.1
*1063	JUL 01/03	01.1	*1066M	JUL 01/03	01.1
*1064	JUL 01/03	01.1	*1066N	JUL 01/03	01.1
*1064A	JUL 01/03	01.1	*1066O	JUL 01/03	01.1
*1064B	JUL 01/03	01.1	*1066P	JUL 01/03	01.1
*1064C	JUL 01/03	01.1	*1066Q	JUL 01/03	01.1
*1064D	JUL 01/03	01.1	*1066R	JUL 01/03	01.1
*1064E	JUL 01/03	01.1	*1066S	JUL 01/03	01.1
*1064F	JUL 01/03	01.1	*1066T	JUL 01/03	01.1
*1064G	JUL 01/03	01.1	*1066U	JUL 01/03	01.1
*1064H	JUL 01/03	01.1	*1066V	JUL 01/03	01.1
*1064I	JUL 01/03	01.1	*1066W	JUL 01/03	01.1
*1064J	JUL 01/03	01.1	*1066X	JUL 01/03	01.1
*1064K	JUL 01/03	01.1	*1066Y	JUL 01/03	01.1
*1064L	JUL 01/03	01.1	*1066Z	JUL 01/03	01.1
*1064M	JUL 01/03	01.1	*1067	JUL 01/03	01.1
*1064N	JUL 01/03	01.1	*1068	JUL 01/03	01.1
*1064O	JUL 01/03	01.1	*1068A	JUL 01/03	01.1
*1064P	JUL 01/03	01.1	*1068B	JUL 01/03	01.1
*1064Q	JUL 01/03	01.1	*1068C	JUL 01/03	01.1
*1064R	JUL 01/03	01.1	*1068D	JUL 01/03	01.1
*1064S	JUL 01/03	01.1	*1068E	JUL 01/03	01.1
*1064T	JUL 01/03	01.1	*1068F	JUL 01/03	01.1
*1064U	JUL 01/03	01.1	*1068G	JUL 01/03	01.1
*1064V	JUL 01/03	01.1	*1068H	JUL 01/03	01.1
*1064W	JUL 01/03	01.1	*1068I	JUL 01/03	01.1
*1064X	JUL 01/03	01.1	*1068J	JUL 01/03	01.1

* = REVISED, ADDED OR DELETED

71-11-32

EFFECTIVE PAGES
CONTINUED Page 4
01 Jul 01/03


BOEING
 COMPONENT
 MAINTENANCE MANUAL

PAGE	DATE	CODE	PAGE	DATE	CODE
ILLUSTRATED PARTS LIST		CONT.	ILLUSTRATED PARTS LIST		CONT.
*1068K	JUL 01/03	01.1	*1070Y	JUL 01/03	01.1
*1068L	JUL 01/03	01.1	*1070Z	JUL 01/03	01.1
*1068M	JUL 01/03	01.1	*1071	JUL 01/03	01.1
*1068N	JUL 01/03	01.1	*1072	JUL 01/03	01.1
*1068O	JUL 01/03	01.1	*1072A	JUL 01/03	01.1
*1068P	JUL 01/03	01.1	*1072B	JUL 01/03	01.1
*1068Q	JUL 01/03	01.1	*1072C	JUL 01/03	01.1
*1068R	JUL 01/03	01.1	*1072D	JUL 01/03	01.1
*1068S	JUL 01/03	01.1	*1072E	JUL 01/03	01.1
*1068T	JUL 01/03	01.1	*1072F	JUL 01/03	01.1
*1068U	JUL 01/03	01.1	*1072G	JUL 01/03	01.1
*1068V	JUL 01/03	01.1	*1072H	JUL 01/03	01.1
*1068W	JUL 01/03	01.1	*1072I	JUL 01/03	01.1
*1068X	JUL 01/03	01.1	*1072J	JUL 01/03	01.1
*1068Y	JUL 01/03	01.1	*1072K	JUL 01/03	01.1
*1068Z	JUL 01/03	01.1	*1072L	JUL 01/03	01.1
*1069	JUL 01/03	01.1	*1072M	JUL 01/03	01.1
*1070	JUL 01/03	01.1	*1072N	JUL 01/03	01.1
*1070A	JUL 01/03	01.1	*1072O	JUL 01/03	01.1
*1070B	JUL 01/03	01.1	*1072P	JUL 01/03	01.1
*1070C	JUL 01/03	01.1	*1072Q	JUL 01/03	01.1
*1070D	JUL 01/03	01.1	*1072R	JUL 01/03	01.1
*1070E	JUL 01/03	01.1	*1072S	JUL 01/03	01.1
*1070F	JUL 01/03	01.1	*1072T	JUL 01/03	01.1
*1070G	JUL 01/03	01.1	*1072U	JUL 01/03	01.1
*1070H	JUL 01/03	01.1	*1072V	JUL 01/03	01.1
*1070I	JUL 01/03	01.1	*1072W	JUL 01/03	01.1
*1070J	JUL 01/03	01.1	*1072X	JUL 01/03	01.1
*1070K	JUL 01/03	01.1	*1072Y	JUL 01/03	01.1
*1070L	JUL 01/03	01.1	*1072Z	JUL 01/03	01.1
*1070M	JUL 01/03	01.1	*1073	JUL 01/03	01.1
*1070N	JUL 01/03	01.1	*1074	JUL 01/03	01.1
*1070O	JUL 01/03	01.1	*1074A	JUL 01/03	01.1
*1070P	JUL 01/03	01.1	*1074B	JUL 01/03	01.1
*1070Q	JUL 01/03	01.1	*1074C	JUL 01/03	01.1
*1070R	JUL 01/03	01.1	*1074D	JUL 01/03	01.1
*1070S	JUL 01/03	01.1	*1074E	JUL 01/03	01.1
*1070T	JUL 01/03	01.1	*1074F	JUL 01/03	01.1
*1070U	JUL 01/03	01.1	*1074G	JUL 01/03	01.1
*1070V	JUL 01/03	01.1	*1074H	BLANK	
*1070W	JUL 01/03	01.1	*1074I	JUL 01/03	01.1
*1070X	JUL 01/03	01.1	*1074J	JUL 01/03	01.1

* = REVISED, ADDED OR DELETED

71-11-32

EFFECTIVE PAGES

CONTINUED Page 5

01 Jul 01/03

PAGE	DATE	CODE	PAGE	DATE	CODE
ILLUSTRATED PARTS LIST		CONT.	ILLUSTRATED PARTS LIST		CONT.
*1074K	JUL 01/03	01.1	*1076Y	JUL 01/03	01.1
*1074L	JUL 01/03	01.1	*1076Z	JUL 01/03	01.1
*1074M	JUL 01/03	01.1	*1077	JUL 01/03	01.1
*1074N	JUL 01/03	01.1	*1078	JUL 01/03	01.1
*1074O	JUL 01/03	01.1	*1078A	JUL 01/03	01.1
*1074P	JUL 01/03	01.1	*1078B	JUL 01/03	01.1
*1074Q	JUL 01/03	01.1	*1078C	JUL 01/03	01.1
*1074R	JUL 01/03	01.1	*1078D	JUL 01/03	01.1
*1074S	JUL 01/03	01.1	*1078E	JUL 01/03	01.1
*1074T	JUL 01/03	01.1	*1078F	JUL 01/03	01.1
*1074U	JUL 01/03	01.1	*1078G	JUL 01/03	01.1
*1074V	JUL 01/03	01.1	*1078H	JUL 01/03	01.1
*1074W	JUL 01/03	01.1	*1078I	JUL 01/03	01.1
*1074X	JUL 01/03	01.1	*1078J	JUL 01/03	01.1
*1074Y	JUL 01/03	01.1	*1078K	JUL 01/03	01.1
*1074Z	JUL 01/03	01.1	*1078L	JUL 01/03	01.1
*1075	JUL 01/03	01.1	*1078M	JUL 01/03	01.1
*1076	JUL 01/03	01.1	*1078N	JUL 01/03	01.1
*1076A	JUL 01/03	01.1	*1078O	JUL 01/03	01.1
*1076B	JUL 01/03	01.1	*1078P	JUL 01/03	01.1
*1076C	JUL 01/03	01.1	*1078Q	JUL 01/03	01.1
*1076D	JUL 01/03	01.1	*1078R	JUL 01/03	01.1
*1076E	JUL 01/03	01.1	*1078S	BLANK	
*1076F	BLANK		*1078T	JUL 01/03	01.1
*1076G	JUL 01/03	01.1	*1078U	JUL 01/03	01.1
*1076H	JUL 01/03	01.1	*1078V	JUL 01/03	01.1
*1076I	JUL 01/03	01.1	*1078W	JUL 01/03	01.1
*1076J	JUL 01/03	01.1	*1078X	JUL 01/03	01.1
*1076K	JUL 01/03	01.1	*1078Y	JUL 01/03	01.1
*1076L	JUL 01/03	01.1	*1078Z	JUL 01/03	01.1
*1076M	JUL 01/03	01.1	*1079	JUL 01/03	01.1
*1076N	JUL 01/03	01.1	*1080	JUL 01/03	01.1
*1076O	JUL 01/03	01.1	*1080A	JUL 01/03	01.1
*1076P	JUL 01/03	01.1	*1080B	JUL 01/03	01.1
*1076Q	JUL 01/03	01.1	*1080C	JUL 01/03	01.1
*1076R	JUL 01/03	01.1	*1080D	JUL 01/03	01.1
*1076S	JUL 01/03	01.1	*1080E	JUL 01/03	01.1
*1076T	JUL 01/03	01.1	*1080F	JUL 01/03	01.1
*1076U	JUL 01/03	01.1	*1080G	JUL 01/03	01.1
*1076V	JUL 01/03	01.1	*1080H	JUL 01/03	01.1
*1076W	JUL 01/03	01.1	*1080I	JUL 01/03	01.1
*1076X	JUL 01/03	01.1	*1080J	JUL 01/03	01.1

* = REVISED, ADDED OR DELETED

71-11-32

EFFECTIVE PAGES
CONTINUED Page 6
01 Jul 01/03


BOEING
 COMPONENT
 MAINTENANCE MANUAL

PAGE	DATE	CODE	PAGE	DATE	CODE
ILLUSTRATED PARTS LIST		CONT.	ILLUSTRATED PARTS LIST		CONT.
*1080K	JUL 01/03	01.1	*1082Y	JUL 01/03	01.1
*1080L	JUL 01/03	01.1	*1082Z	JUL 01/03	01.1
*1080M	JUL 01/03	01.1	*1083	JUL 01/03	01.1
*1080N	JUL 01/03	01.1	*1084	JUL 01/03	01.1
*1080O	JUL 01/03	01.1	*1084A	JUL 01/03	01.1
*1080P	JUL 01/03	01.1	*1084B	JUL 01/03	01.1
*1080Q	JUL 01/03	01.1	*1084C	JUL 01/03	01.1
*1080R	JUL 01/03	01.1	*1084D	JUL 01/03	01.1
*1080S	JUL 01/03	01.1	*1084E	JUL 01/03	01.1
*1080T	JUL 01/03	01.1	*1084F	JUL 01/03	01.1
*1080U	JUL 01/03	01.1	*1084G	JUL 01/03	01.1
*1080V	JUL 01/03	01.1	*1084H	JUL 01/03	01.1
*1080W	JUL 01/03	01.1	*1084I	JUL 01/03	01.1
*1080X	JUL 01/03	01.1	*1084J	JUL 01/03	01.1
*1080Y	JUL 01/03	01.1	*1084K	JUL 01/03	01.1
*1080Z	JUL 01/03	01.1	*1084L	JUL 01/03	01.1
*1081	JUL 01/03	01.1	*1084M	JUL 01/03	01.1
*1082	JUL 01/03	01.1	*1084N	JUL 01/03	01.1
*1082A	JUL 01/03	01.1	*1084O	JUL 01/03	01.1
*1082B	JUL 01/03	01.1	*1084P	JUL 01/03	01.1
*1082C	JUL 01/03	01.1	*1084Q	JUL 01/03	01.1
*1082D	JUL 01/03	01.1	*1084R	JUL 01/03	01.1
*1082E	JUL 01/03	01.1	*1084S	JUL 01/03	01.1
*1082F	JUL 01/03	01.1	*1084T	JUL 01/03	01.1
*1082G	JUL 01/03	01.1	*1084U	JUL 01/03	01.1
*1082H	JUL 01/03	01.1	*1084V	JUL 01/03	01.1
*1082I	JUL 01/03	01.1	*1084W	BLANK	
*1082J	JUL 01/03	01.1	*1084X	JUL 01/03	01.1
*1082K	JUL 01/03	01.1	*1084Y	JUL 01/03	01.1
*1082L	JUL 01/03	01.1	*1084Z	JUL 01/03	01.1
*1082M	JUL 01/03	01.1	*1085	JUL 01/03	01.1
*1082N	JUL 01/03	01.1	*1086	JUL 01/03	01.1
*1082O	JUL 01/03	01.1	*1086A	JUL 01/03	01.1
*1082P	JUL 01/03	01.1	*1086B	JUL 01/03	01.1
*1082Q	JUL 01/03	01.1	*1086C	JUL 01/03	01.1
*1082R	JUL 01/03	01.1	*1086D	JUL 01/03	01.1
*1082S	JUL 01/03	01.1	*1086E	JUL 01/03	01.1
*1082T	JUL 01/03	01.1	*1086F	JUL 01/03	01.1
*1082U	JUL 01/03	01.1	*1086G	JUL 01/03	01.1
*1082V	JUL 01/03	01.1	*1086H	JUL 01/03	01.1
*1082W	JUL 01/03	01.1	*1086I	JUL 01/03	01.1
*1082X	JUL 01/03	01.1	*1086J	JUL 01/03	01.1

* = REVISED, ADDED OR DELETED

71-11-32

EFFECTIVE PAGES

CONTINUED Page 7

01 Jul 01/03

PAGE	DATE	CODE	PAGE	DATE	CODE
ILLUSTRATED PARTS LIST		CONT.	ILLUSTRATED PARTS LIST		CONT.
*1086K	JUL 01/03	01.1	*1088Y	JUL 01/03	01.1
*1086L	JUL 01/03	01.1	*1088Z	JUL 01/03	01.1
*1086M	JUL 01/03	01.1	*1089	JUL 01/03	01.1
*1086N	JUL 01/03	01.1	*1090	JUL 01/03	01.1
*1086O	JUL 01/03	01.1	*1090A	JUL 01/03	01.1
*1086P	JUL 01/03	01.1	*1090B	JUL 01/03	01.1
*1086Q	JUL 01/03	01.1	*1090C	JUL 01/03	01.1
*1086R	JUL 01/03	01.1	*1090D	JUL 01/03	01.1
*1086S	JUL 01/03	01.1	*1090E	JUL 01/03	01.1
*1086T	JUL 01/03	01.1	*1090F	JUL 01/03	01.1
*1086U	JUL 01/03	01.1	*1090G	JUL 01/03	01.1
*1086V	JUL 01/03	01.1	*1090H	JUL 01/03	01.1
*1086W	JUL 01/03	01.1	*1090I	JUL 01/03	01.1
*1086X	BLANK		*1090J	JUL 01/03	01.1
*1086Y	JUL 01/03	01.1	*1090K	JUL 01/03	01.1
*1086Z	JUL 01/03	01.1	*1090L	JUL 01/03	01.1
*1087	JUL 01/03	01.1	*1090M	JUL 01/03	01.1
*1088	JUL 01/03	01.1	*1090N	JUL 01/03	01.1
*1088A	JUL 01/03	01.1	*1090O	JUL 01/03	01.1
*1088B	JUL 01/03	01.1	*1090P	JUL 01/03	01.1
*1088C	JUL 01/03	01.1	*1090Q	JUL 01/03	01.1
*1088D	JUL 01/03	01.1	*1090R	JUL 01/03	01.1
*1088E	JUL 01/03	01.1	*1090S	JUL 01/03	01.1
*1088F	JUL 01/03	01.1	*1090T	JUL 01/03	01.1
*1088G	JUL 01/03	01.1	*1090U	JUL 01/03	01.1
*1088H	JUL 01/03	01.1	*1090V	JUL 01/03	01.1
*1088I	JUL 01/03	01.1	*1090W	JUL 01/03	01.1
*1088J	JUL 01/03	01.1	*1090X	JUL 01/03	01.1
*1088K	JUL 01/03	01.1	*1090Y	JUL 01/03	01.1
*1088L	JUL 01/03	01.1	*1090Z	JUL 01/03	01.1
*1088M	JUL 01/03	01.1	*1091	JUL 01/03	01.1
*1088N	JUL 01/03	01.1	*1092	JUL 01/03	01.1
*1088O	JUL 01/03	01.1	*1092A	JUL 01/03	01.1
*1088P	JUL 01/03	01.1	*1092B	JUL 01/03	01.1
*1088Q	JUL 01/03	01.1	*1092C	JUL 01/03	01.1
*1088R	JUL 01/03	01.1	*1092D	JUL 01/03	01.1
*1088S	JUL 01/03	01.1	*1092E	JUL 01/03	01.1
*1088T	JUL 01/03	01.1	*1092F	JUL 01/03	01.1
*1088U	JUL 01/03	01.1	*1092G	JUL 01/03	01.1
*1088V	JUL 01/03	01.1	*1092H	JUL 01/03	01.1
*1088W	JUL 01/03	01.1	*1092I	JUL 01/03	01.1
*1088X	JUL 01/03	01.1	*1092J	JUL 01/03	01.1

* = REVISED, ADDED OR DELETED

71-11-32

 EFFECTIVE PAGES
 CONTINUED Page 8
 01 Jul 01/03


BOEING
 COMPONENT
 MAINTENANCE MANUAL

PAGE	DATE	CODE	PAGE	DATE	CODE
ILLUSTRATED PARTS LIST		CONT.	ILLUSTRATED PARTS LIST		CONT.
*1092K	JUL 01/03	01.1	*1094Y	JUL 01/03	01.1
*1092L	JUL 01/03	01.1	*1094Z	JUL 01/03	01.1
*1092M	JUL 01/03	01.1	*1095	JUL 01/03	01.1
*1092N	JUL 01/03	01.1	*1096	JUL 01/03	01.1
*1092O	JUL 01/03	01.1	*1096A	JUL 01/03	01.1
*1092P	JUL 01/03	01.1	*1096B	BLANK	
*1092Q	JUL 01/03	01.1	*1096C	JUL 01/03	01.1
*1092R	JUL 01/03	01.1	*1096D	JUL 01/03	01.1
*1092S	JUL 01/03	01.1	*1096E	JUL 01/03	01.1
*1092T	JUL 01/03	01.1	*1096F	JUL 01/03	01.1
*1092U	JUL 01/03	01.1	*1096G	JUL 01/03	01.1
*1092V	JUL 01/03	01.1	*1096H	JUL 01/03	01.1
*1092W	JUL 01/03	01.1	*1096I	JUL 01/03	01.1
*1092X	JUL 01/03	01.1	*1096J	JUL 01/03	01.1
*1092Y	JUL 01/03	01.1	*1096K	JUL 01/03	01.1
*1092Z	JUL 01/03	01.1	*1096L	JUL 01/03	01.1
*1093	JUL 01/03	01.1	*1096M	JUL 01/03	01.1
*1094	JUL 01/03	01.1	*1096N	JUL 01/03	01.1
*1094A	JUL 01/03	01.1	*1096O	JUL 01/03	01.1
*1094B	JUL 01/03	01.1	*1096P	JUL 01/03	01.1
*1094C	JUL 01/03	01.1	*1096Q	JUL 01/03	01.1
*1094D	JUL 01/03	01.1	*1096R	JUL 01/03	01.1
*1094E	JUL 01/03	01.1	*1096S	JUL 01/03	01.1
*1094F	JUL 01/03	01.1	*1096T	JUL 01/03	01.1
*1094G	JUL 01/03	01.1	*1096U	JUL 01/03	01.1
*1094H	JUL 01/03	01.1	*1096V	JUL 01/03	01.1
*1094I	JUL 01/03	01.1	*1096W	JUL 01/03	01.1
*1094J	JUL 01/03	01.1	*1096X	JUL 01/03	01.1
*1094K	JUL 01/03	01.1	*1096Y	JUL 01/03	01.1
*1094L	JUL 01/03	01.1	*1096Z	JUL 01/03	01.1
*1094M	JUL 01/03	01.1	*1097	JUL 01/03	01.1
*1094N	JUL 01/03	01.1	*1098	JUL 01/03	01.1
*1094O	JUL 01/03	01.1	*1098A	JUL 01/03	01.1
*1094P	JUL 01/03	01.1	*1098B	JUL 01/03	01.1
*1094Q	JUL 01/03	01.1	*1098C	JUL 01/03	01.1
*1094R	JUL 01/03	01.1	*1098D	JUL 01/03	01.1
*1094S	JUL 01/03	01.1	*1098E	JUL 01/03	01.1
*1094T	JUL 01/03	01.1	*1098F	JUL 01/03	01.1
*1094U	JUL 01/03	01.1	*1098G	JUL 01/03	01.1
*1094V	JUL 01/03	01.1	*1098H	JUL 01/03	01.1
*1094W	JUL 01/03	01.1	*1098I	JUL 01/03	01.1
*1094X	JUL 01/03	01.1	*1098J	BLANK	

* = REVISED, ADDED OR DELETED

71-11-32

EFFECTIVE PAGES
CONTINUED Page 9
01 Jul 01/03

PAGE	DATE	CODE	PAGE	DATE	CODE
ILLUSTRATED PARTS LIST		CONT.			
*1098K	JUL 01/03	01.1			
*1098L	JUL 01/03	01.1			
*1098M	JUL 01/03	01.1			
*1098N	JUL 01/03	01.1			
*1098O	JUL 01/03	01.1			
*1098P	JUL 01/03	01.1			
*1098Q	JUL 01/03	01.1			
*1098R	JUL 01/03	01.1			
*1098S	JUL 01/03	01.1			
*1098T	BLANK				

* = REVISED, ADDED OR DELETED

71-11-32

EFFECTIVE PAGES
 LAST PAGE Page 10
 01 Jul 01/03



TABLE OF CONTENTS

<u>Paragraph Title</u>	<u>Page</u>
Description and Operation	1
Testing and Trouble Shooting (not applicable)	
Disassembly	301
Cleaning.	401
Check	501
Repair.	601
Assembly.	701
 Fits and Clearances	801
Special Tools (not applicable)	
Illustrated Parts List.	1001

71-11-32

CONTENTS

Page 1

Mar 01/95

01.1



INTRODUCTION

The instructions in this manual provide the information necessary to perform maintenance functions ranging from simple checks and replacement to complete shop-type repair.

This manual is divided into separate sections:

- | | |
|--|------------------------------|
| 1. Title Page | 4. List of Effective Pages |
| 2. Record of Revisions | 5. Table of Contents |
| 3. Temporary Revision &
Service Bulletin Record | 6. Introduction |
| | 7. Procedures & IPL Sections |

Refer to the Table of Contents for the page location of applicable sections. An asterisked flagnote *[] in place of the page number indicates that no special instructions are provided since the function can be performed using standard industry practices.

The beginning of the REPAIR section includes a list of the separate repairs, a list of applicable standard Boeing practices, and an explanation of the True Position Dimensioning symbols used.

An explanation of the use of the Illustrated Parts List is provided in the Introduction to that section.

All weights and measurements used in the manual are in English units, unless otherwise stated. When metric equivalents are given they will be in parentheses following the English units.

Design changes, optional parts, configuration differences and Service Bulletin modifications create alternate part numbers. These are identified in the Illustrated Parts List (IPL) by adding an alphabetical character to the basic item number. The resulting item number is called an alpha-variant. Throughout the manual, IPL basic item number references also apply to alpha-variants unless otherwise indicated.

Verification:

Disassembly: 06 May 87

Assembly: 06 May 87

71-11-32

INTRODUCTION

01.1

Page 1

Mar 01/95



FAN DUCT COWL ASSEMBLY

DESCRIPTION AND OPERATION

1. Description and Operation

A. The Fan Duct Cowl Assembly provides a pathway for bypass air from the fan, as well as a support structure for the thrust reverser. The cowl assembly is comprised of an inner wall assembly and an outer wall held together by upper and lower bifurcation installations. The outer wall is comprised of a ring assembly and a torque box installation held together by nine cascade assemblies. The cascade assemblies reverse the direction of the bypass air when the thrust reverser is activated.

2. Leading Particulars (approximate)

Diameter -- 106 inches

Width -- 66 inches

Weight -- 729 pounds (LH side)

758 pounds (RH side)

71-11-32

DESCRIPTION & OPERATION

01

Page 1

Apr 10/86



DISASSEMBLY

NOTE: Disassemble this component only as necessary to complete fault isolation, determine the serviceability of parts, perform required repairs, and restore the unit to serviceable condition.

1. Use standard industry practices for disassembly of this component, except for the following additional procedure.

2. Disassembly

A. Disassemble fan duct cowl assembly (1, 5, 10, 15, IPL Fig. 1) as follows:

(1) Remove bolts (20, 22, 28, 30) and cascade assemblies (44, 46, 68, 70, 96, 98, 100, 102, 116, 118, 132, 134, 146, 160, 162).

(2) Remove bolts (286), collars (288), and ring assemblies (666, 668, 852, 854).

(3) Remove fasteners (296 thru 382) and fillet fairings (384, 386).

(4) Remove fasteners (546 thru 556) and fillet fairing (578, 580).

(5) Remove fasteners (582 thru 622) and lower bifurcation assembly (624, 626).

(6) Remove fasteners and zone ventilation system installation (402).

(7) Remove fasteners and duct installation (756, 758, 759).

(8) Remove fasteners (738 thru 742) and duct assembly (744).

(9) Remove fasteners and drain tube installation (502).

(10) Remove fasteners (5, 10, 105, 110, IPL Fig. 6) and inlet precooler duct installation (822).

71-11-32

DISASSEMBLY

01.1

Page 301

Jul 01/03

(11) Disassemble liner (70, IPL Fig. 9), (159A, IPL Fig. 4) as follows)

- (a) Remove liner (70, IPL Fig. 9) by removing screw (10, IPL Fig. 9), washer (15, IPL Fig. 9), nut (20, IPL Fig. 9) and retainer (25, IPL Fig. 9) or bolt (35, IPL Fig. 9), washer (40, IPL Fig. 9), retainer (45, IPL Fig. 9) and pin (50, IPL Fig. 9) and bolt (55, IPL Fig. 9), washer (60, IPL Fig. 9) and nut (65, IPL Fig. 9).
- (b) Remove liner (159A, IPL Fig. 4) by removing bolt (144, IPL Fig. 4), washer (150, IPL Fig. 4) and nut (153, IPL Fig. 4) and bolt (123, IPL Fig. 4), retainer (138, IPL Fig. 4), washer (129, IPL Fig. 4) and nut (135, IPL Fig. 4) or bolt (126, IPL Fig. 4), washer (132, IPL Fig. 4), retainer (138A, IPL Fig. 4) and pin (141, IPL Fig. 4).

B. Disassemble fan duct cowl assembly (1, 5, 10, 15, IPL Fig. 10) as follows:

- (1) Remove bolts (384, 386, 388, 390, 398, 400) and cascade assemblies (28, 30, 52, 54, 56, 58, 78, 80, 82, 84, 106, 108, 130, 132, 152, 154, 174, 176, 178, 180).
- (2) Remove bolts (528), collars (530), and ring assemblies (806, 808, 866, 868, 870, 872).
- (3) Remove fasteners (538 thru 624) and fillet fairings (626).
- (4) Remove fasteners (686 thru 716) and fillet fairing (718, 720).
- (5) Remove fasteners (722 thru 762) and lower bifurcation assembly (764, 766).
- (6) Remove fasteners and zone ventilation system installation (204).
- (7) Remove fasteners and duct installation (304, 952).
- (8) Remove fasteners (926 thru 938) and duct assembly (940).
- (9) Remove fasteners and drain tube installation (642).
- (10) Remove fasteners (5, 10, 105, 110, IPL Fig. 6) and inlet precooler duct installation (986).

(11) Disassemble liner (70, IPL Fig. 9), (159A, IPL Fig. 4) as follows)

71-11-32

DISASSEMBLY

01.1

Page 302

Jul 01/03

**BOEING**
COMPONENT
MAINTENANCE MANUAL

- (12) Remove liner (70, IPL Fig. 9) by removing screw (10, IPL Fig. 9), washer (15, IPL Fig. 9), nut (20, IPL Fig. 9) and retainer (25, IPL Fig. 9) or bolt (35, IPL Fig. 9), washer (40, IPL Fig. 9), retainer (45, IPL Fig. 9) and pin (50, IPL Fig. 9) and bolt (55, IPL Fig. 9), washer (60, IPL Fig. 9) and nut (65, IPL Fig. 9).
- (13) Remove liner (159A, IPL Fig. 4) by removing bolt (144, IPL Fig. 4), washer (150, IPL Fig. 4) and nut (153, IPL Fig. 4) and bolt (123, IPL Fig. 4), retainer (138, IPL Fig. 4), washer (129, IPL Fig. 4) and nut (135, IPL Fig. 4) or bolt (126, IPL Fig. 4), washer (132, IPL Fig. 4), retainer (138A, IPL Fig. 4) and pin (141, IPL Fig. 4).
- C. Note thickness of shims (110, 115, 120, IPL Fig. 3; 114, 116, 118, IPL Fig. 11) for reference in assembly.

71-11-32

DISASSEMBLY

01.1

Page 303

Jul 01/03



CLEANING

CAUTION: DO NOT VAPOR DEGREASE GRAPHITE/ARAMID EPOXY STRUCTURES WITH CHLORINATED CLEANING AGENTS SUCH AS METHYLENE CHLORIDE, TRICHLOROETHYLENE, AND TRICHLOROETHANE. CHLORINATED CLEANING AGENTS WILL CAUSE DAMAGE TO GRAPHITE/ARAMID EPOXY STRUCTURES.

1,1,1-TRICHLOROETHANE IS ONE OF THE SOLVENTS ALLOWED FOR CLEANING COMPOSITE COMPONENTS. DO NOT SUBMERGE PARTS IN THE SOLVENT OR ALLOW STANDING SOLVENT ON THE PARTS OR DAMAGE MAY OCCUR. USE 1,1,1-TRICHLOROETHANE ONLY AS A WIPE SOLVENT.

1. Clean all parts in accordance with standard industry practices (Ref 20-30-03) except for graphite/aramid epoxy structures.

71-11-32

01
CLEANING
Page 401
Apr 10/86

CHECK

1. Check all parts for obvious defects per standard industry practices.
2. Magnetic particle check the following per 20-20-01:
 - A. Retainer (175A, IPL Fig. 2)
 - B. Retainer (370, IPL Fig. 3)
 - C. Pins (243, 255, IPL Fig. 4)
 - D. Bushing (862, 876, IPL Fig. 10)
 - | E. Liner (70, IPL Fig. 9)
 - | F. Retainer (45, IPL Fig. 9)
 - | G. Pin (50, IPL Fig. 9)
3. Penetrant check the following per 20-20-02:
 - A. Pads (662, 664, IPL Fig. 1)
 - B. Liners (30, 35, IPL Fig. 2), fittings (60, 65), retainer (155), and pads (390, 390A, 395, 395A, 445, 450, 505, 510)
 - C. Fittings (100, 102, 105, 107, 470, 475, IPL Fig. 3; 325, 335, 340, 345, IPL Fig. 11) and brackets (195, 220).
 - D. Retainer (138, IPL Fig. 4), track (162, 165), liners (192, 195), bolts (249, 375), fittings (360A, 360B, 657), brackets (708), rod (744), and spring (747)
 - E. Brackets (185, 190, IPL Fig. 6)
 - F. Cascade (48, 50, 76, 104, 128, 150, 172, 198, IPL Fig. 10), duct assemblies (270, 940), tube assy (684), fitting (802, 804, 850, 852, 854, 856, 912, 914, 916, 918), duct (950)

71-11-32

CHECK

01.1

Page 501

Jul 01/03

- | G. Retainer (25, IPL Fig. 9)
4. Check honeycomb and bonded parts for evidence of delamination, internal water, scratches, and contour defects.
 - A. Examine for delamination ultrasonically.
 - B. Examine areas suspected of containing water radiographically to determine extent of damage.
 - C. Examine edges of panel carefully for cuts and abrasions. Delamination starts very easily from damage to an edge member of honeycomb panel.
 5. Refer to 767 Structural Repair Manual, 54-30-01, for allowable damage data.
 6. Refer to 767 Structural Repair Manual, 71-00-01, for allowable cascade vane damage data.

71-11-3201.1
CHECK
Page 502
Jul 01/03

REPAIR GENERAL1. Content

- A. Repair, refinish, and replacement procedures, as applicable, are included in separate repair sections as follows:

<u>P/N</u>	<u>NAME</u>	<u>REPAIR</u>
315T3303	FITTING ASSY	1-1
315T3308	ATTACH ASSY	2-1
315T3314	FITTING ASSY	3-1
315T3403	LATCH FITTING ASSY	4-1
315T3413	FITTING ASSY	5-1
315T3634	FITTING ASSY	6-1
315T3210	CASCADE ASSY	7-1
315T3212		
315T3214		
315T3259		
315T3262		
315T4210		
315T4212		
315T4214		
315T4259		
315T4262		
--	MISCELLANEOUS PARTS	8-1
315T3554	COWL CATCH	9-1

2. Standard Practices

- A. Refer to the following standard practices, as applicable, for details of procedures in individual repairs.
- 20-30-02 Stripping of Protective Finishes
 - 20-30-03 General Cleaning Procedures
 - 20-41-01 Decoding Table for Boeing Finish Codes
 - 20-41-02 Application of Chemical and Solvent Resistant Finishes
 - 20-42-05 Bright Cadmium Plating
 - 20-42-09 Electrodeposited Nickel Plating
 - 20-43-01 Chromic Acid Anodize
 - 20-43-02 Anodizing of Magnesium Alloys (DOW 17)
 - 20-44-01 Application of Abrasion Resistant Finishes.
 - 20-50-03 Bearing Installation and Retention
 - 20-50-08 Application of Dry Lubricant

71-11-32

REPAIR-GENERAL

01.1

Page 601

Sep 01/95

3. Materials

NOTE: Equivalent substitutes may be used.

- A. Coating, Ablative -- MA25S (Ref 20-60-04)
- B. Conditioner, Static -- Dexter 28-C-1 (Ref 20-60-02)
- C. Enamel -- BMS 10-60, type 2, BAC707 gray gloss (Ref 20-60-02)
-- BMS 10-60, type 2, gloss (Ref 20-60-02)
- D. Lubricant, Dry Film -- BMS 3-8, class A (Ref 20-60-03)
- E. Paint, Teflon Filled -- BMS 10-86, type 1, white (Ref 20-60-02)
-- BMS 10-86, type 2, gray type 27 (Ref 20-60-02)
- F. Plating, Nickel -- BMS 10-36, type 2 (Ref 20-60-02)
- G. Primer -- BMS 10-11, type 1 (Ref 20-60-02)
-- BMS 10-79, type 2 (Ref 20-60-02)
-- BMS 10-79, type 3 (Ref 20-60-02)
-- DeSoto high temperature polyurethane (Ref 20-60-02)
- H. Sealant -- BMS 5-26 (Ref 20-60-04)
- I. Sufacer -- Dexter 8-W-5 (Ref 20-60-02)
- J. Chromic Acid -- 150 pounds per 100 gallons or 23-25 ounces per gallon as chromium trioxide. At 190-212°F

4. Dimensioning Symbols

- A. Standard True Position Dimensioning Symbols used in applicable repair procedures are shown in Fig. 601.

71-11-32

REPAIR-GENERAL

01.101 Page 602

Sep 01/95

BOEING
COMPONENT
MAINTENANCE MANUAL

- STRAIGHTNESS
- ▭ FLATNESS
- ⊥ PERPENDICULARITY (OR SQUARENESS)
- // PARALLELISM
- ROUNDNESS
- ⊙ CYLINDRICITY
- ⌒ PROFILE OF A LINE
- △ PROFILE OF A SURFACE
- ◎ CONCENTRICITY
- ≡ SYMMETRY
- ∠ ANGULARITY
- ↗ RUNOUT
- ↗ TOTAL RUNOUT
- ⊏ COUNTERBORE OR SPOTFACE
- ∇ COUNTERSINK

- ⊕ THEORETICAL EXACT POSITION OF A FEATURE (TRUE POSITION)
- ∅ DIAMETER
- S ∅ SPHERICAL DIAMETER
- R RADIUS
- SR SPHERICAL RADIUS
- () REFERENCE
- BASIC (BSC) OR DIM A THEORETICALLY EXACT DIMENSION USED TO DESCRIBE SIZE, SHAPE OR LOCATION OF A FEATURE FROM WHICH PERMISSIBLE VARIATIONS ARE ESTABLISHED BY TOLERANCES ON OTHER DIMENSIONS OR NOTES.
- A- DATUM
- Ⓜ MAXIMUM MATERIAL CONDITION (MMC)
- Ⓛ LEAST MATERIAL CONDITION (LMC)
- Ⓢ REGARDLESS OF FEATURE SIZE (RFS)
- Ⓟ PROJECTED TOLERANCE ZONE
- FIM FULL INDICATOR MOVEMENT

EXAMPLES

<p>— 0.002 STRAIGHT WITHIN 0.002</p> <p>⊥ 0.002 B PERPENDICULAR TO B WITHIN 0.002</p> <p>// 0.002 A PARALLEL TO A WITHIN 0.002</p> <p>○ 0.002 ROUND WITHIN 0.002</p> <p>⊙ 0.010 CYLINDRICAL SURFACE MUST LIE BETWEEN TWO CONCENTRIC CYLINDERS, ONE OF WHICH HAS A RADIUS 0.010 INCH GREATER THAN THE OTHER</p> <p>⌒ 0.006 A EACH LINE ELEMENT OF THE SURFACE AT ANY CROSS SECTION MUST LIE BETWEEN TWO PROFILE BOUNDARIES 0.006 INCH APART RELATIVE TO DATUM PLANE A</p> <p>△ 0.020 A SURFACES MUST LIE WITHIN PARALLEL BOUNDARIES 0.02 INCH APART AND EQUALLY DISPOSED ABOUT TRUE PROFILE</p>	<p>⊕ ∅ 0.0005 C CONCENTRIC TO C WITHIN 0.0005 DIAMETER</p> <p>≡ 0.010 A SYMMETRICAL WITH A WITHIN 0.010</p> <p>∠ 0.005 A ANGULAR TOLERANCE 0.005 WITH A</p> <p>⊕ ∅ 0.002 Ⓢ B LOCATED AT TRUE POSITION WITHIN 0.002 DIA RELATIVE TO DATUM B, REGARDLESS OF FEATURE SIZE</p> <p>⊥ ∅ 0.010 Ⓜ A 0.510 Ⓟ AXIS IS TOTALLY WITHIN A CYLINDER OF 0.010-INCH DIAMETER, PERPENDICULAR TO, AND EXTENDING 0.510-INCH ABOVE, DATUM A, MAXIMUM MATERIAL CONDITION</p> <p>2.000 THEORETICALLY EXACT DIMENSION IS 2.000 OR 2.000 BSC</p> <p>0.020 A A 0.020</p>
<p>NOTE: DATUM MAY APPEAR AT EITHER SIDE OF TOLERANCE FRAME</p>	

True Position Dimensioning Symbols
 Figure 601

71-11-32

REPAIR-GENERAL

01.1

Page 603

Mar 01/95

HINGE FITTING ASSEMBLY - REPAIR 1-1

315T3303-9, -10, -13, -14, -17, -18

NOTE: Refer to REPAIR-GEN for list of applicable standard practices.

1. Bushing Replacement (55, IPL Fig. 2)

- A. Remove bushing.
- B. Install bushing per 20-50-03.
- C. Machine bore of bushing per Fig. 601.
- D. Fillet seal entire periphery of bushing flanges using BMS 5-26 sealant.

2. Repair

- A. Repair hole for bushing (55).
 - (1) Machine fitting (60, 62, 65, 67) as required to remove discrepancies, per Fig. 601.
 - (2) Penetrant check per 20-20-02.
 - (3) Refinish per 3.A.
 - (4) Fabricate oversize bushing per Fig. 602.

3. Refinish

- A. Fitting (60, 62, 65, 67, IPL Fig. 2) -- Chromic acid anodize, type 1 or sulfuric acid anodize, type 2 (F-17.05), and apply one coat of BMS 10-79, type 3 primer (F-19.47) all over. Material: Aluminum alloy

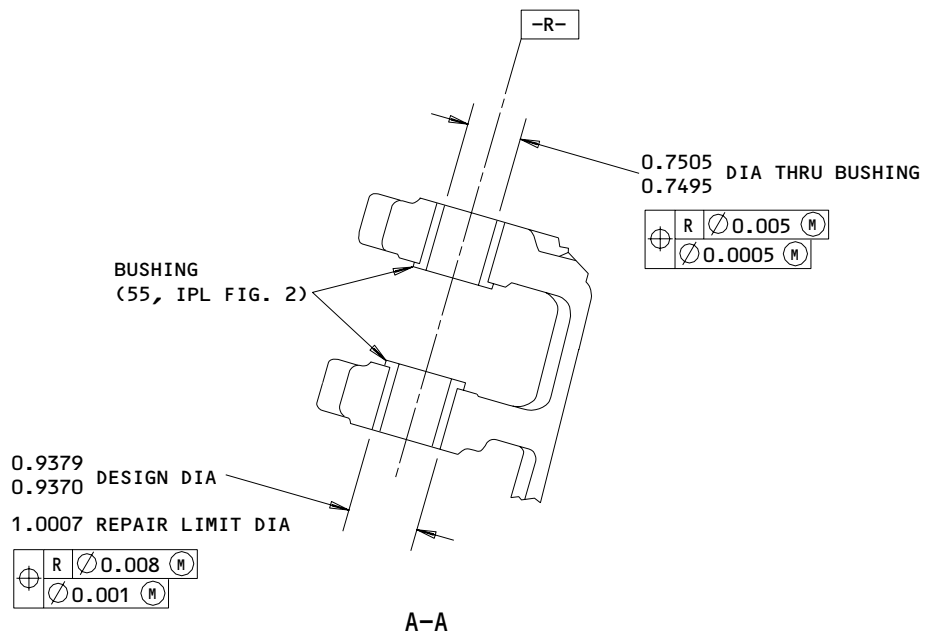
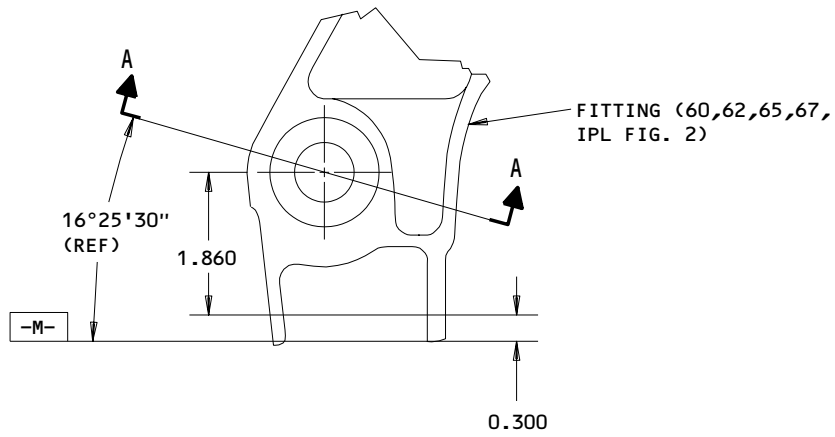
71-11-32

REPAIR 1-1

01.1

Page 601

Apr 01/88



125/ ALL MACHINED SURFACES EXCEPT 32/ IN FITTING HOLES

MATERIAL: ALUMINUM ALLOY
 ALL DIMENSIONS ARE IN INCHES

315T3303-9,-10,-13,-14,-17,-18
 Bushing Replacement
 Figure 601

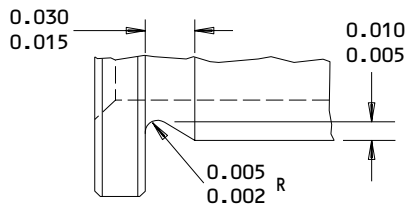
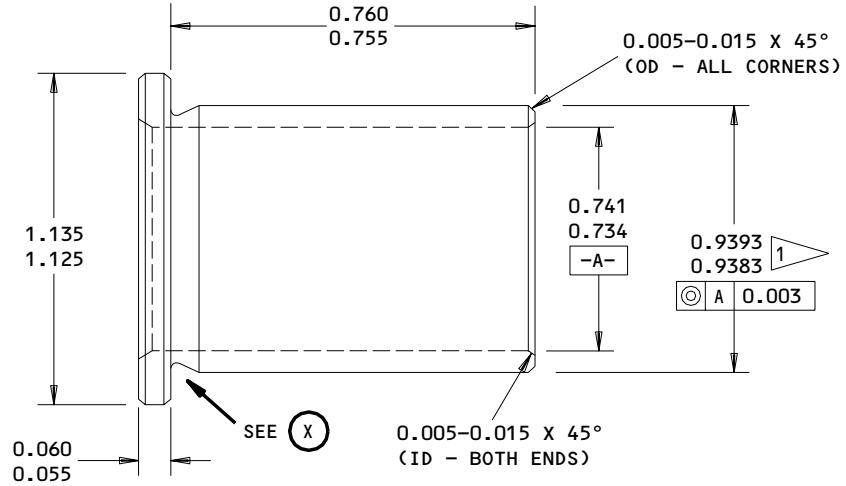
71-11-32

REPAIR 1-1

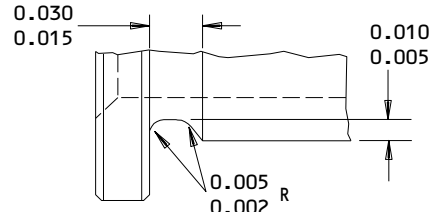
01.1

Page 602

Apr 01/88



TYPE 1



TYPE 2

UNDERCUT TYPE 1 OR TYPE 2 OPTIONAL



1 FINAL BUSHING OUTSIDE DIA EQUALS REPAIR DIA OF FITTING PLUS 0.0007-0.0021 INTERFERENCE

63 ALL MACHINED SURFACES, EXCEPT AS NOTED
 ANGULAR TOLERANCE, ±0.50 DEG

ALL DIMENSIONS ARE IN INCHES

MATERIAL: AL-NI-BRZ PER AMS 4640

DIMENSIONS APPLY AFTER PLATING

FINISH: CADMIUM PLATE PER 20-42-05, TYPE 2, CLASS 2.

BUSHING REPLACEMENT FOR BUSHING (55, IPL FIG. 2)
 Oversize Bushing Details
 Figure 602

71-11-32

REPAIR 1-1

01.1

Page 603

Apr 10/87

ATTACH ASSEMBLY - REPAIR 2-1

315T3308-25, -26, -33, -34

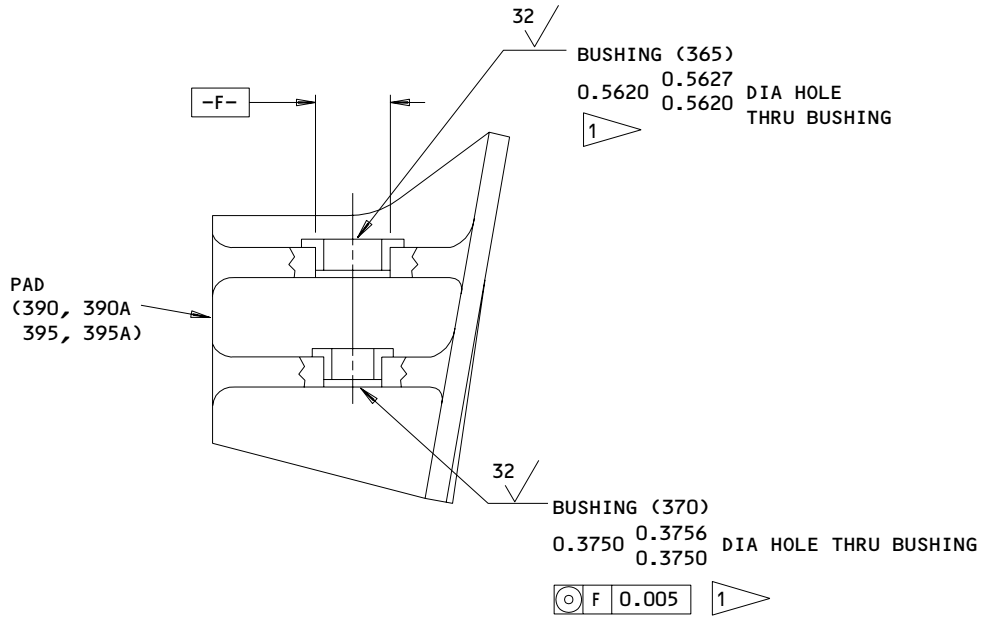
NOTE: Refer to REPAIR-GEN for list of applicable standard practices.

1. Bushing (365, 370) Replacement (IPL Fig. 2)

- A. Remove bushings.
- B. Install bushings per 20-50-03.
- C. Machine bore of bushings per Fig. 601.
- D. Fillet seal entire periphery of bushing flanges using BMS 5-26 sealant.

2. Refinish

- A. Pad (390, 390A, 395, 395A) -- Chromic acid anodize, type 1 and apply one coat BMS 10-11, type 1 primer (F-18.13), all over. Material: Aluminum alloy.



315T3308-25,-26,-33,-34
 Bushing Replacement
 Figure 601

FITTING ASSEMBLY – REPAIR 3-1

315T3314-7, -8

NOTE: Refer to REPAIR-GEN for list of applicable standard practices.

1. Bushing (465) Replacement (IPL Fig. 3)

- A. Remove bushing.
- B. Install bushings per 20-50-03.
- C. Machine bushings per Fig. 601.
- D. Fillet seal entire periphery of bushing flanges using BMS 5-26 sealant.

2. Repair

- A. Repair hole for bushing (465).

- (1) Machine fitting (470, 475) as required to remove discrepancies, per Fig. 601 repair limit.
- (2) Penetrant check per 20-20-02.
- (3) Refinish per 3.A.
- (4) Fabricate oversize bushing per Fig. 602.
- (5) Install bushing per 1.B. thru 1.D.

3. Refinish

- A. Fitting (470, 475, IPL Fig. 3) -- Chromic acid anodize, type 1 or sulfuric acid anodize, type 2 (F-17.05), and apply one coat BMS 10-11, type 1 primer (F-20.02) all over. Material: Aluminum alloy.

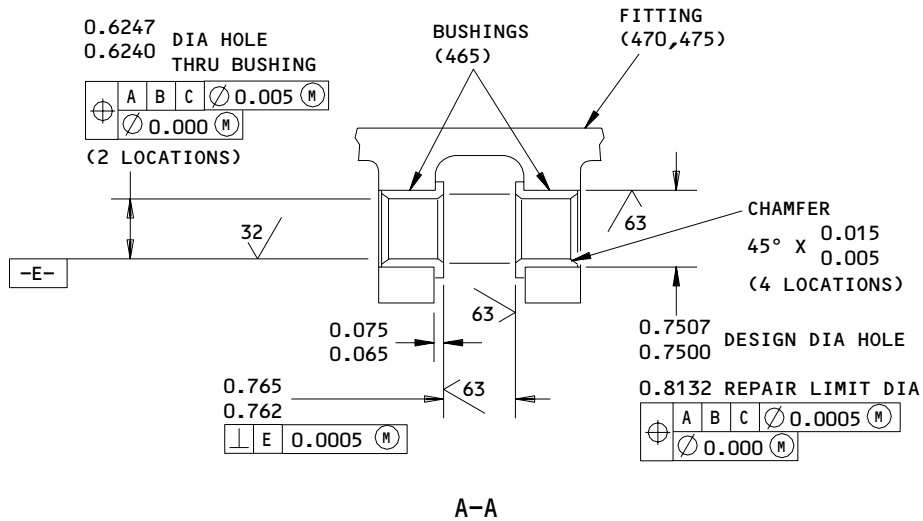
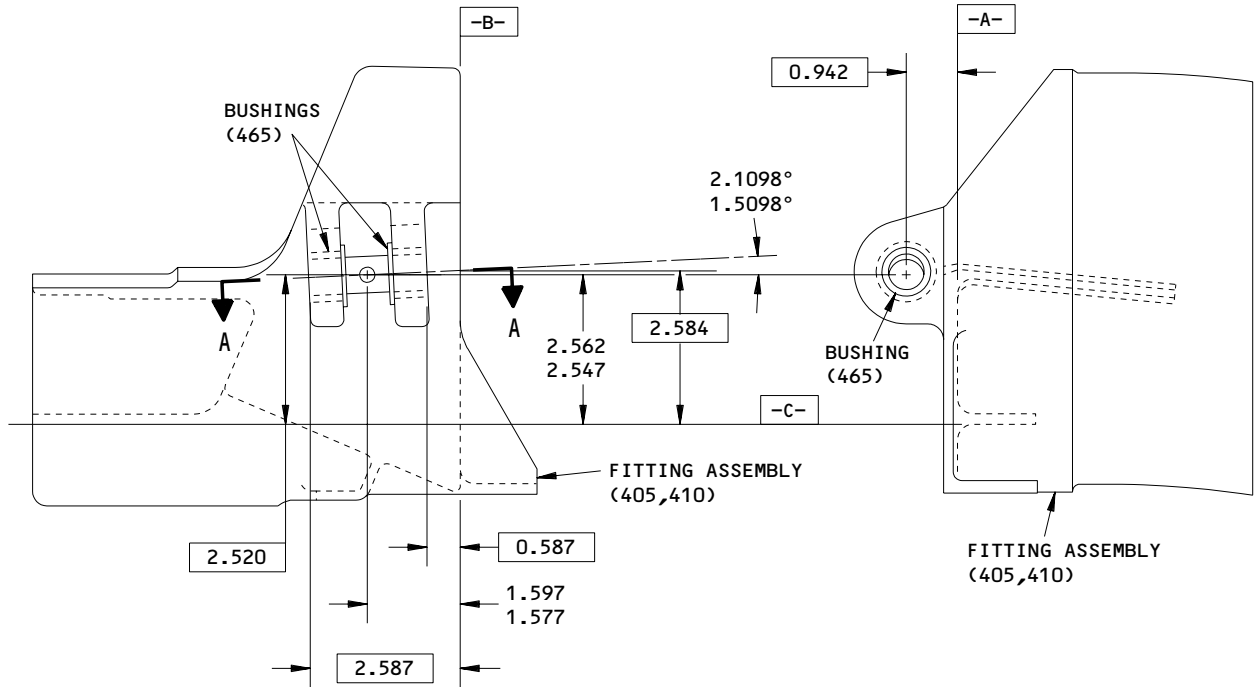
71-11-32

REPAIR 3-1

01.1

Page 601

Dec 01/95



MATERIAL: ALUMINUM ALLOY

125/ ALL MACHINED SURFACES UNLESS SHOWN
DIFFERENTLY

ITEM NUMBERS REFER TO IPL FIG. 3

ALL DIMENSIONS ARE IN INCHES

315T3314-7,-8
 Bushing Replacement
 Figure 601

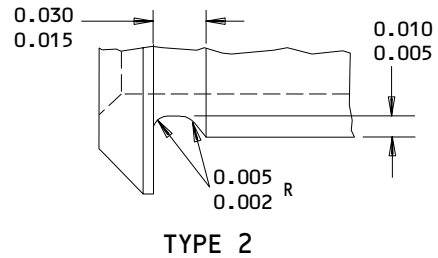
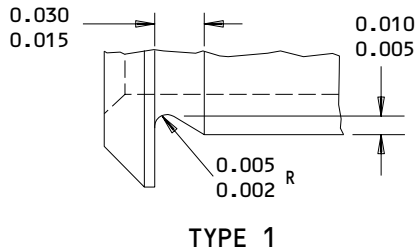
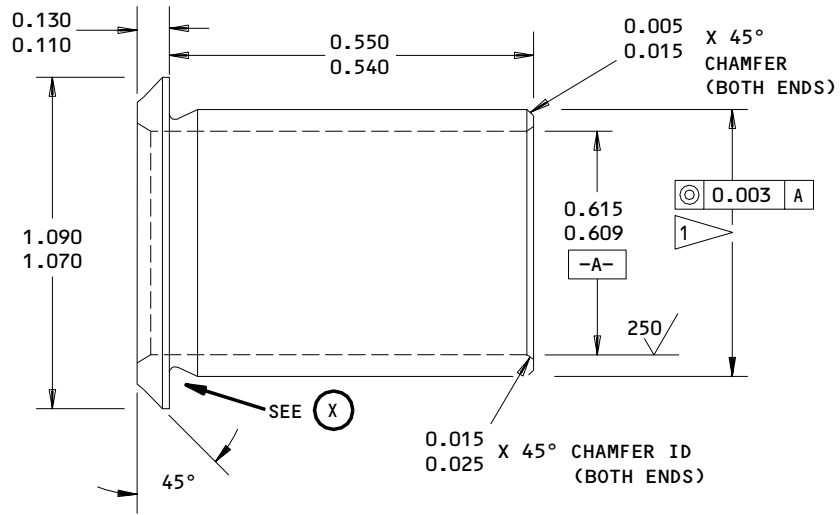
71-11-32

REPAIR 3-1

01.1

Page 602

Dec 01/95



UNDERCUT TYPE 1 OR TYPE 2 OPTIONAL

(X)

1 FINAL BUSHING OUTSIDE DIA EQUALS REPAIR DIA OF FITTING PLUS 0.0005-0.0019 INTERFERENCE

63 ALL MACHINED SURFACES UNLESS SHOWN DIFFERENTLY

ANGULAR TOLERANCE, ±0.50 DEG

MATERIAL: 15-5PH CRES, HT TR (180-200 KSI)

FINISH: CADMIUM PLATE PER 20-42-05, TYPE 2, CLASS 3.

DIMENSIONS APPLY AFTER PLATING

ALL DIMENSIONS ARE IN INCHES

BUSHING REPLACEMENT FOR BUSHING (465, IPL FIG. 3)
 Oversize Bushing Details
 Figure 602

71-11-32

REPAIR 3-1

01.1

Page 603

Dec 01/95

LATCH FITTING ASSEMBLY – REPAIR 4-1

315T3403-5, -8

NOTE: Refer to REPAIR-GEN for list of applicable standard practices.

1. Bushing Replacement (627A, 630, IPL Fig. 4)

- A. Remove bushings (627A, 630).
- B. Install bushings per 20-50-03.
- C. Machine bore of bushings per Fig. 601.
- D. Fillet seal entire periphery of bushing flanges using BMS 5-26 sealant.

2. Repair

- A. Repair hole for bushing (627A, 630).
 - (1) Machine fitting (624) as required to remove discrepancies, per Fig. 601.
 - (2) Penetrant check per 20-20-02.
 - (3) Refinish per 3.A.
 - (4) Fabricate oversize bushing per Fig. 602 and Fig. 603.

3. Refinish

- A. Fitting (633, IPL Fig. 4) -- Chromic acid anodize, type 1 or sulfuric acid anodize, type 2 (F-17.05), and apply one coat BMS 10-11, type 1 primer (F-20.02) all over. Material: Aluminum alloy.

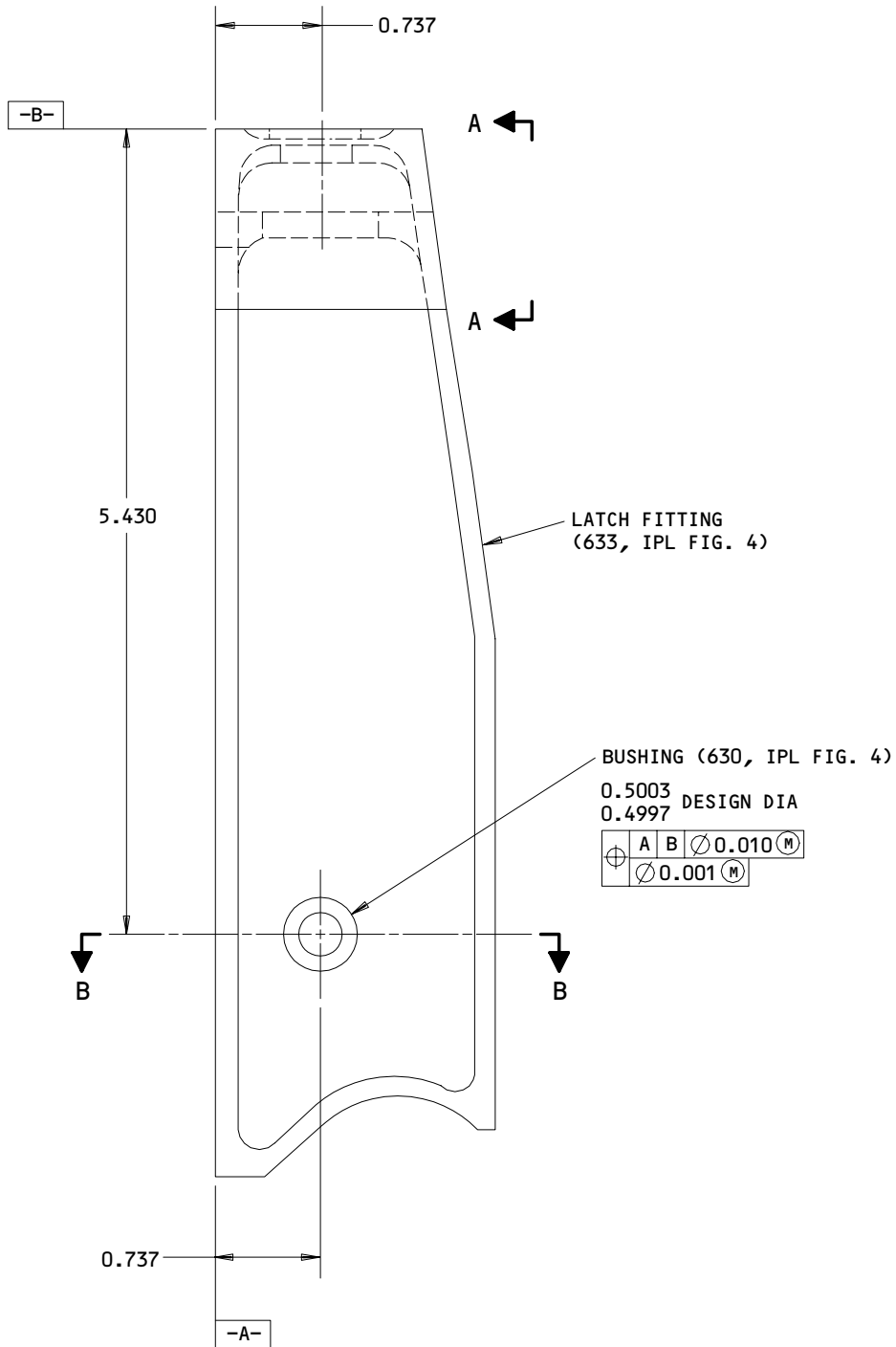
71-11-32

REPAIR 4-1

01.1

Page 601

Sep 01/95



315T3403-5,-8
 Bushing Replacement
 Figure 601 (Sheet 1)

71-11-32

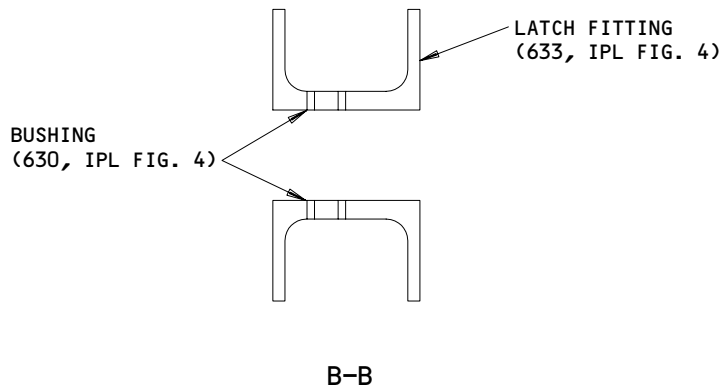
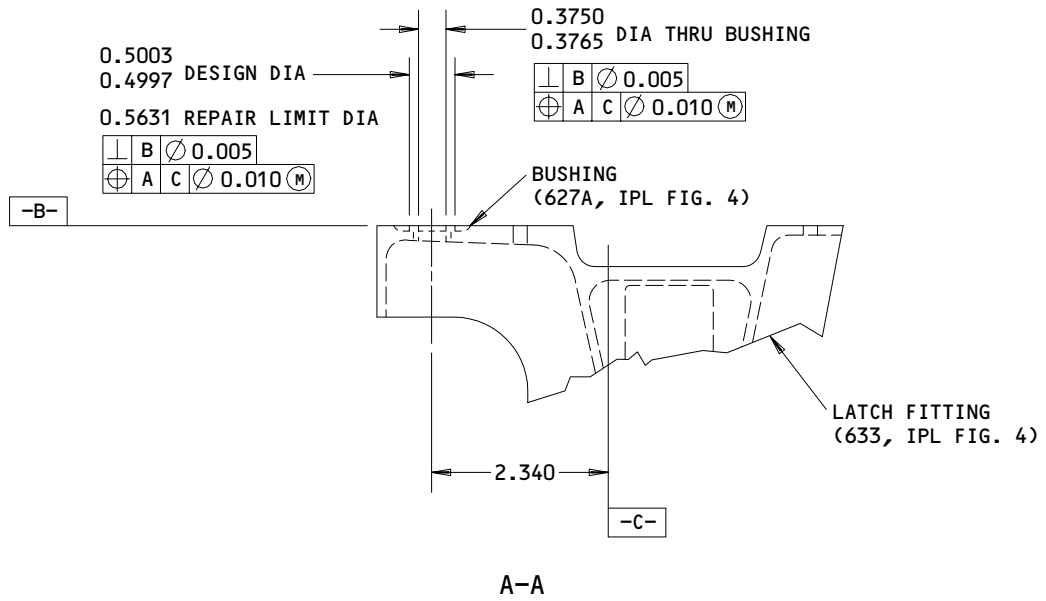
REPAIR 4-1

01.1

Page 602

Sep 01/95

BOEING
 COMPONENT
 MAINTENANCE MANUAL



63/ ALL MACHINED SURFACES
 MATERIAL: ALUMINUM ALLOY
 ALL DIMENSIONS ARE IN INCHES

315T3403-5,-8
 Bushing Replacement
 Figure 601 (Sheet 2)

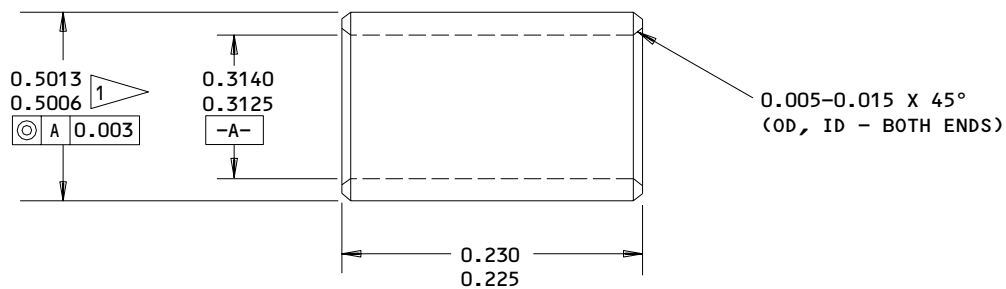
71-11-32

REPAIR 4-1

01.1

Page 603

Sep 01/95



1 FINISH BUSHING OUTSIDE DIA EQUALS REPAIR
 DIA OF FITTING PLUS 0.0005-0.0017
 INTERFERENCE.

32/ ALL MACHINED SURFACES, EXCEPT AS NOTED

ANGULAR TOLERANCE, ±0.50 DEG

ALL DIMENSIONS ARE IN INCHES

MATERIAL: 15-5PH CRES, HT TR (180-200 KSI)

DIMENSIONS APPLY AFTER PLATING

FINISH: CADMIUM PLATE PER (20-42-05),
 TYPE 2, CLASS 2.

REPLACEMENT BUSHING FOR BUSHING (630, IPL FIG. 4)

Oversize Bushing Details
 Figure 602

210082

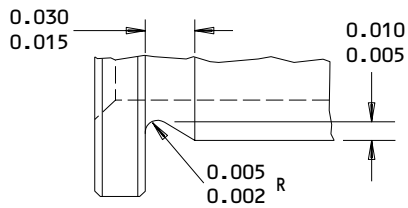
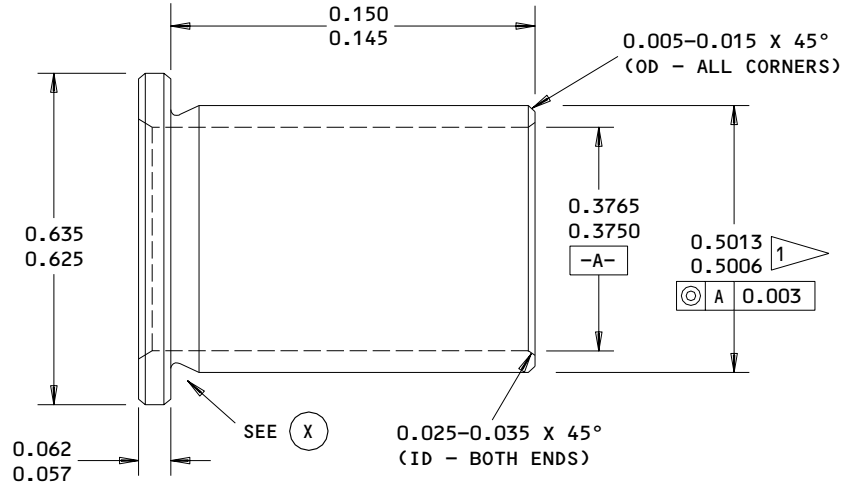
71-11-32

REPAIR 4-1

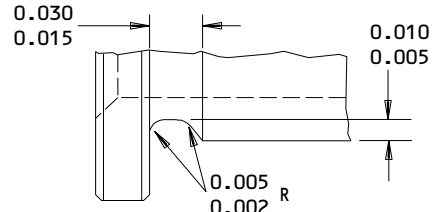
01

Page 604

Apr 10/86



TYPE 1



TYPE 2

UNDERCUT TYPE 1 OR TYPE 2 OPTIONAL

(X)

1 FINAL BUSHING OUTSIDE DIA EQUALS REPAIR DIA OF FITTING PLUS 0.0005-0.0017 INTERFERENCE

ALL DIMENSIONS ARE IN INCHES

DIMENSIONS APPLY AFTER PLATING

63/ ALL MACHINED SURFACES, EXCEPT AS NOTED
 ANGULAR TOLERANCE, ±0.50 DEG

MATERIAL: 17-4PH CRES, HT TR (180-200 KSI)

FINISH: CADMIUM PLATE PER 20-42-05, TYPE 2, CLASS 2.

BUSHING REPLACEMENT FOR BUSHING (627A, IPL FIG. 4)
 Oversize Bushing Details
 Figure 603

71-11-32

REPAIR 4-1

01

Page 605

Apr 10/86

FITTING ASSEMBLY – REPAIR 5-1

315T3413-1, -13, -19, -25

NOTE: Refer to REPAIR-GEN for list of applicable standard practices.

1. Bushing (336, 339) Replacement (IPL Fig. 4)

- A. Remove bushings.
- B. Install bushings per 20-50-03.
- C. Machine bore of bushings per Fig. 601.
- D. Fillet seal entire periphery of bushing flanges using BMS 5-26 sealant.

2. Refinish

- A. Fitting (360) -- Chromic acid anodize, type 1 or sulfuric acid anodize, type 2 (F-17.05), and apply one coat BMS 10-11, type 1 primer (F-20.02) all over. Material: Aluminum alloy.

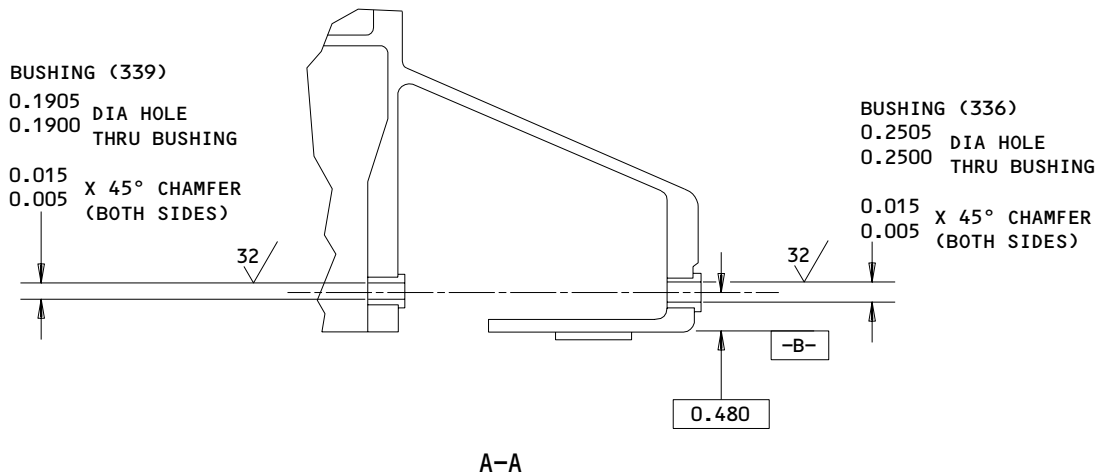
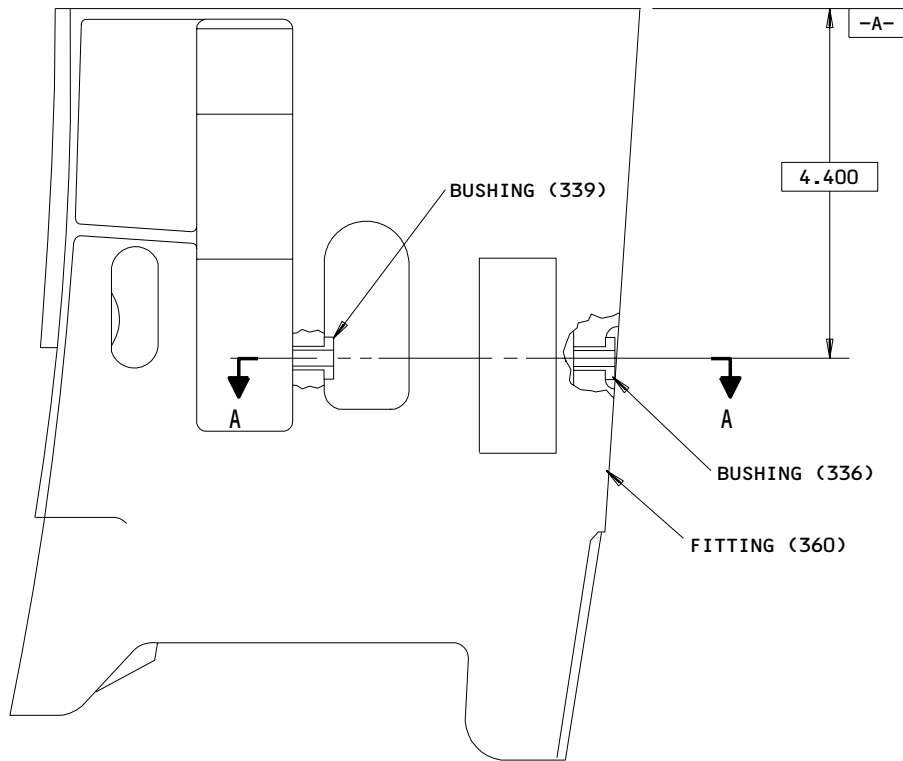
71-11-32

REPAIR 5-1

01.1

Page 601

Sep 01/95



ALL DIMENSIONS ARE IN INCHES

315T3413-1,-13,-19,-25

Bushing Replacement
 Figure 601

71-11-32

REPAIR 5-1

Page 602

Sep 01/95

01.1

FITTING ASSEMBLY - REPAIR 6-1

315T3634-1, -2, -10, -11, -15 thru -18

NOTE: Refer to REPAIR-GEN for list of applicable standard practices.

1. Bushing (95, IPL Fig. 3; 99, IPL Fig. 11) Replacement

- A. Remove bushing.
- B. Install bushings per 20-50-03.
- C. Machine bore of bushings per Fig. 601.
- D. Fillet seal entire periphery of bushing flanges using BMS 5-26 sealant.

2. Repair

- A. Repair hole for bushing (95, IPL Fig. 3; 99, IPL Fig. 11).
 - (1) Machine fitting (103, 105, 107, 108, IPL Fig. 3; 325, 330, 335, 340, 345, 350, IPL Fig. 11) as required to remove discrepancies, per Fig. 601.
 - (2) Penetrant check per 20-20-02.
 - (3) Refinish per 3.A.
 - (4) Fabricate oversize bushings per Fig. 602.

3. Refinish

- A. Fitting (100, 102, 103, 105, 107, 108, IPL Fig. 3; 102, 104, 106, 108, 110, 112, IPL Fig. 11) -- Chromic acid anodize, type 1 and apply one coat BMS 10-11, type 1 primer (F-18.13). Omit primer from holes for bushings and insert. Material: Aluminum alloy.

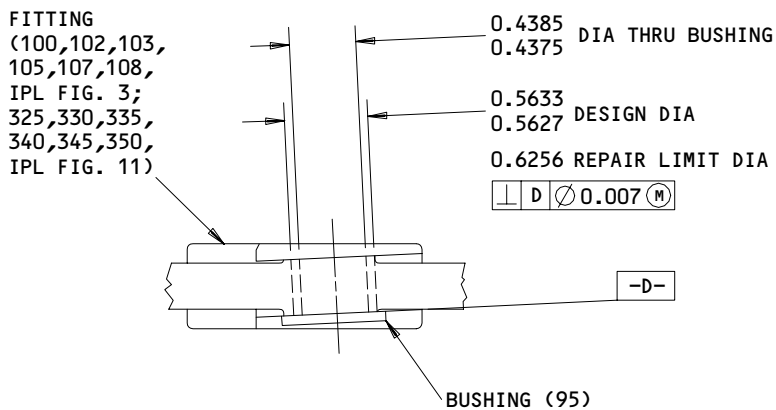
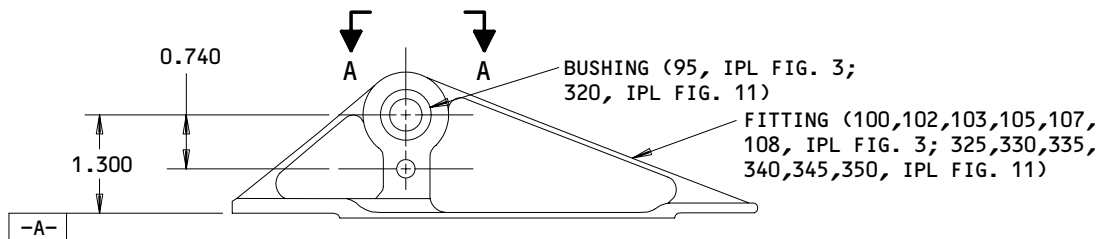
71-11-32

REPAIR 6-1

01.1

Page 601

Jul 01/92



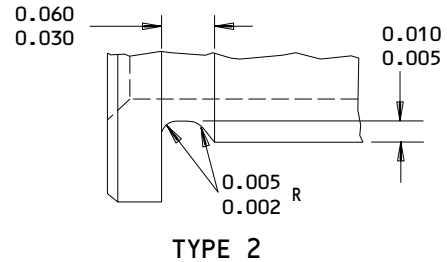
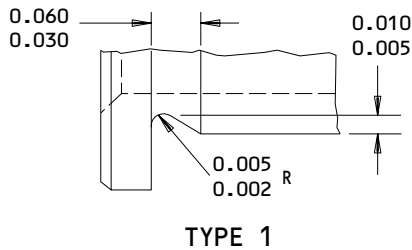
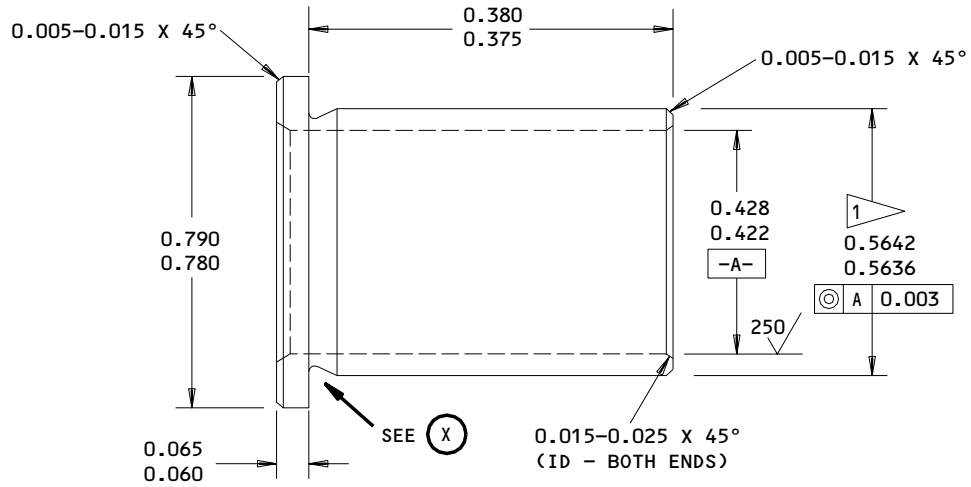
A-A

125/ALL MACHINED SURFACES
 MATERIAL: ALUMINUM ALLOY
 ALL DIMENSIONS ARE IN INCHES

315T3634-1,-2,-10,-11
 Bushing Replacement
 Figure 601

71-11-32
 REPAIR 6-1
 Page 602
 Apr 10/87

01.1



UNDERCUT TYPE 1 OR TYPE 2 OPTIONAL

(X)

1 FINAL BUSHING OUTSIDE DIA EQUALS REPAIR DIA OF FITTING PLUS 0.0005-0.0017 INTERFERENCE

63 ALL MACHINED SURFACES, EXCEPT AS NOTED ANGULAR TOLERANCE, ±0.50 DEG

ALL DIMENSIONS ARE IN INCHES

MATERIAL: 15-5PH CRES, HT TR (180-200 KSI)

DIMENSIONS APPLY AFTER PLATING

FINISH: CADMIUM PLATE PER 20-42-05, TYPE 2, CLASS 2.

BUSHING REPLACEMENT FOR BUSHING (95, IPL FIG. 3; 320, IPL FIG. 11)

Oversize Bushing Details
 Figure 602

71-11-32

REPAIR 6-1

01.1

Page 603

Apr 10/87

CASCADE ASSEMBLY – REPAIR 7-1

315T3210-1, -3, -4, -8, -9, -10	315T4210-1, -2, -3
315T3212-1, -2, -3, -4, -11, -12, -13, -14	315T4212-1, -2, -3, -4
315T3214-1, -2, -7, -8	315T4212-1, -2, -3, -4
315T3259-2, -7, -8	315T4214-1, -2, -3, -4
315T3262-1, -4	315T4259-1, -2, -7, -8, -9, -10
	315T4262-1

NOTE: Refer to REPAIR-GENERAL for list of applicable standard practices.

1. Cascade Assembly Vane Repair (32, 34, 47, 48, 49, 50, 51, 51M, 72, 74, 75, 75M, 76, 78, 79, 104, 106, 120, 122, 136, 137, 148, 149, 150, 151, IPL Fig. 1; 28, 30, 31, 52, 54, 55, 56, 58, 59, 78, 80, 81, 82, 84, 85, 106, 108, 109, 130, 131, 132, 152, 153, 154, 174, 175, 176, 178, 179, 180, IPL Fig. 10)

CAUTION: WELD REPAIRS MUST BE A MINIMUM OF 0.50 INCH FROM ANY STRONGBACK OR STRUCTURAL DAMAGE MAY OCCUR. REPLACE CASCADE ASSEMBLIES IF DAMAGE IS LESS THAN 0.50 INCH FROM A STRONGBACK.

A. Weld repairs not requiring a replacement section.

- (1) Clean entire casting per 20-30-03.
- (2) Stop drill end of crack(s) with a number 40 (0.098 inch dia) or number 60 (0.040 inch dia) drill.
- (3) Groove cracked area, from both sides, to ensure 100% joint penetration.

CAUTION: PREHEATING AND STRESS RELIEVING TO A MAXIMUM TEMPERATURE OF 350°F TO PREVENT CRACKING IS ALLOWED (FURNACE METHOD ONLY). 350°F SHALL NOT BE EXCEEDED OR STRUCTURAL DAMAGE MAY OCCUR.

DO NOT SOLUTION HEAT TREAT AND/OR AGE HARDEN THE WELD CASTING AS CRACKING/DISTORTION MAY OCCUR.

- (4) Weld joint using gas tungsten arc method and either AZ92A or AZ101A filler wire or rod per MIL-R-6944. Weld bead(s) must be left as deposited.
- (5) Do a penetrant check per 20-20-02 and X-ray weld areas.
- (6) Refinish weld area(s) of casting by applying Dow 19 anodize per 20-43-02, or Dow 7 treatment per MIL-M-3171, type 3.

71-11-32

REPAIR 7-1

01.1

Page 601

Sep 01/95

- (7) Apply one coat BMS 10-11, type 1 primer (F-20.02), and one coat BMS 10-60, color BAC707 gray gloss enamel (SRF-14.9813).

B. Weld repairs requiring replacement sections.

- (1) Cut replacement section(s) from a similar salvaged cascade or 0.063 inch thick AZ31B magnesium sheet per QQ-M-44.
- (2) Clean cast or sheet metal per 20-30-03.
- (3) Prepare butt joint as required to permit 100% joint penetration.
- (4) Position parts for welding using minimum of restraint.

CAUTION: PREHEATING AND STRESS RELIEVING TO A MAXIMUM TEMPERATURE OF 350°F TO PREVENT CRACKING IS ALLOWED (FURNACE METHOD ONLY). 350°F SHALL NOT BE EXCEEDED OR STRUCTURAL DAMAGE MAY OCCUR.

DO NOT SOLUTION HEAT TREAT AND AGE THE WELD CASTING AS CRACKING/DISTORTION MAY OCCUR.

- (5) Weld joint using gas tungsten arc method and either AZ92A or AZ101A filler wire or rod per MIL-R-6944. Weld beads must be left as deposited.
- (6) Do a penetrant check per 20-20-02 and X-ray weld area(s).
- (7) Refinish weld area(s) of casting by applying Dow 17 anodize per 20-43-02, or Dow 7 treatment per MIL-M-3171, type 3.
- (8) Apply one coat BMS 10-60, color 707 gray gloss enamel (SRF-14.9813).

2. Refinish

- A. Cascade (44, 46, 68, 70, 96, 96A, 98, 98A, 100, 100A, 102, 102A, 116, 118, 132, 134, 146, 160, 162, IPL Fig. 1; 48, 48A, 50A, 77, 77A, 105, 105A, 129, 150, 172, 198, 198C, IPL Fig. 10)

- (1) Apply Dow 17 as specified in 20-43-02 except use hot chromic acid deoxidizer, specified in the Materials section of the REPAIR GENERAL, for 10-15 minutes. For Dow 17 use a dwell time of 10 minutes at 80 volts.

71-11-32

REPAIR 7-1

01.1

Page 602

Sep 01/95


BOEING
 COMPONENT
 MAINTENANCE MANUAL

- (2) Oven bake at 180°F for 1/2 hour minimum. Optional: oven bake the cascade at 120°F for 4 hours minimum.
- (3) Apply two coats BMS 10-11, type 1 primer all over except in the fastener holes (F-20.03).
- (4) Apply one coats BMS 10-11, type 1 primer in the fastener holes (F-20.02).
- (5) For cascade P/N 315T3210-11, -12, -13 and 315T3212-7, -8 only: Prepare the surface and apply BMS 10-86, type 1 or 2, color white, type 27 (SRF-14.9624) to the surface of the part number rubber stamp. No alternate finish permitted.

B. Cascade (44A, 46A, 68A, 70A, 116A, 118A, 160A, 162A, IPL Fig. 1)

- (1) Apply Dow 17 as specified in 20-43-02. Use the no dimensional loss procedure for the Dow finish.
- (2) Apply two coats BMS 10-11, type 1 primer all over except in the fastener holes (F-20.03).
- (3) Apply one coat BMS 10-11, type 1 primer in the fastener holes (F-20.02).
- (4) Prepare the surface and apply BMS 10-86, type 1 or 2, color white, type 27 (SRF-14.9624) to the surface of the part number rubber stamp. No alternate finish permitted.

C. Cascade (44B, 46B, 68B, 68C, 68D, 70B, 70C, 70D, 96B, 96C, 98B, 98C, 100B, 100C, 102B, 116B, 118B, 132A, 132B, 134A, 134B, 134C, 146A, 146B, 160B, 160C, 162B, 162C, IPL Fig. 1; 48, 48A, 76, 76A, 76D, 76E, 76F, 76G, 104, 104A, 104B, 104C, 104F, 104G, 128, 128A, 151, 151A, 151B, 151C, 175, 200A, 200B, 200C, 200D, IPL Fig. 10)

- (1) Apply Dow 17 as specified in 20-43-02.
- (2) Apply two coats BMS 10-11, type 1 primer all over except in the fastener holes (F-20.03).
- (3) Apply one coat BMS 10-11, type 1 primer in the fastener holes (F-20.02).

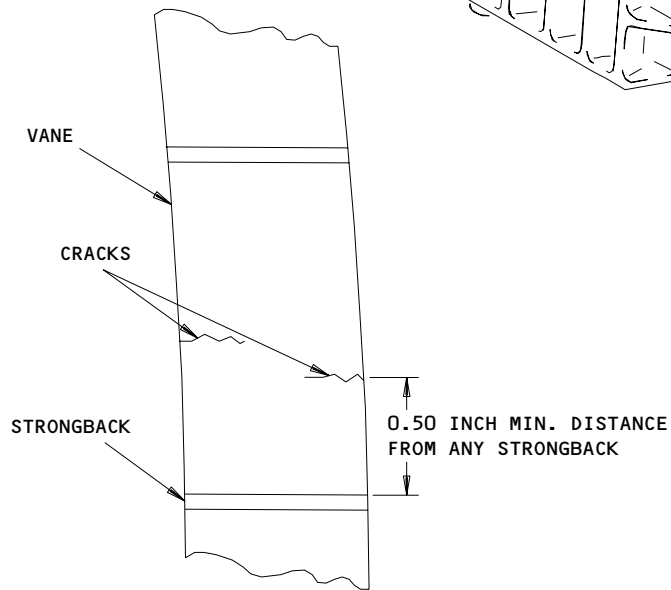
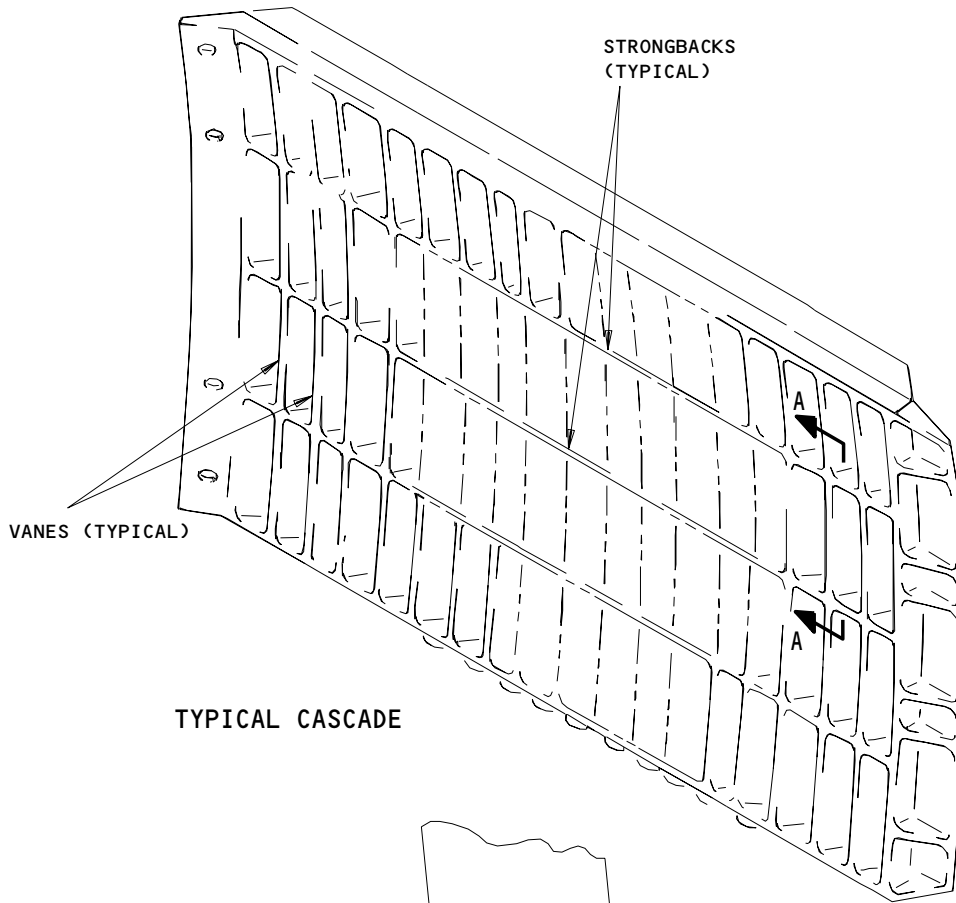
71-11-32

REPAIR 7-1

01.1

Page 603

Sep 01/95



ALL DIMENSIONS ARE IN INCHES

Cascade Vane Weld Repair
Figure 601

71-11-32

REPAIR 7-1

01.101

Page 604

Jul 01/92

MISCELLANEOUS PARTS - REPAIR 8-1

NOTE: Refer to REPAIR-GEN for list of applicable standard practices.

1. Repair of parts in Fig. 601 consists of restoration of original finish.

IPL FIG. & ITEM	MATERIAL	FINISH
<u>Fig. 1</u>		
Fan duct cowl assy (1,5,10,15)		Refinish exterior surface and edges per operators standard color scheme using BMS 10-11, type 2 enamel.
Fairing (384,386, 578,580), Strap (652), Rub strip (840,842,844,846, 848,850), Ring assy (666,668)	Aluminum alloy	Chemically treat (colored film) and apply one coat BMS-10-11, type 1 primer (F-18.06) all over.
Duct assy (468), Pad fitting (662, 664)	Aluminum alloy	Chromic acid anodize, type 1 and apply one coat BMS 10-11, type 1 primer (F-18.13) all over.
Bracket (494,496)	Inconel 625	Apply two coats BMS 10-11, type 1 primer (F-20.03) all over.
Plate (648,650)	15-5 PH CRES 150-170 KS1	Cadmium plate, type 2, class 2, and apply one coat BMS 10-11, type 1, primer (F-16.01) all over.
Duct assy (744)	Aluminum alloy	See Fig. 602.

Refinish Details
Figure 601 (Sheet 1)

71-11-32

REPAIR 8-1

01.1

Page 601

Jul 01/03

IPL FIG. & ITEM	MATERIAL	FINISH
Wall assy (824, 826) <u>Fig. 2</u>		Manually apply colored chemical coating by brush, swab, or spray (F-17.10) and apply one coat BMS 10-11 type 1 primer (F-20.02) to exposed rivet heads common to rub strips (918, 921). Prepare surface and apply BMS 10-86, type 1 white per 20-44-01, type 27 (SRF-14.9624) to outer surfaces of rub strips (918, 921). Apply BMS 3-8 as indicated by Fig. 603.
Liner (30,35)	17-7 PH CRES 180-200 KS1	Nickel plate inside surface 0.003 - 0.005 inch thick per BMS 10-36 type II. On outside surface only cadmium plate, type 2, class 2 (0.0003 - 0.0010 inch) and apply one coat BMS 10-11, type 1 primer (F-16.01).
Filler (105,110, 120,135,140) Pad (445,450,505, 510)	Aluminum alloy	Chromic acid anodize, type 1 and apply one coat BMS 10-11, type 1 primer (F-18.13) all over.
Retainer (175)	Aluminum alloy	Chromic acid anodize, type 1 (F-17.04) and apply two coats BMS 10-11, type 1 primer (F-20.03). Primer not required in holes.

Refinish Details
Figure 601 (Sheet 2)

71-11-32

REPAIR 8-1

01.1

Page 602

Jul 01/03


BOEING
 COMPONENT
 MAINTENANCE MANUAL

IPL FIG. & ITEM	MATERIAL	FINISH
Pin (190)	15-5 PH CRES 150-170 KS1	Cadmium plate, type 2, class 2, and apply one coat BMS 10-11, type 1 primer (F-16.01). Primer and plating not required in threaded hole.
Liner (215,215B, 220,220B)		See Fig. 604.
Bracket (285)	Incone 625	Apply two coats BMS 10-11, type 1 primer (F-20.03) all over.
<u>Fig. 3</u>		
Torque Box Instl (30,35)		See Fig. 605.
Bracket assy (160, 205,210,285,290), Bracket (500), Support (550)	Aluminum alloy	Chemically treat (colored film) and apply BMS 10-11, type 1 primer (F-18.06) all over.
Filler (240,245), Stiffener (280) Seal retainer (508,509)	Aluminum alloy	Chromic acid anodize, type 1 and apply one coat BMS 10-11, type 1 primer (F-18.13) all over.
Retainer (370)	15-5 PH CRES 150-170 KS1	Cadmium plate, type 2, class 2, and apply one coat BMS 10-11, type 1 primer (F-16.01). Omit primer in hole for insert (275).
Strip (555)	Aluminum alloy	Chemically treat all surfaces (colored film) (F-17.07). Apply one coat BMS 10-79, type 2 primer (F-19.46) all over. Apply BMS 10-60, type 2 enamel per airline standard color scheme (F-19.39-XXX) all over.

Refinish Details
Figure 601 (Sheet 3)

71-11-32

REPAIR 8-1

01.1

Page 603

Jul 01/03

IPL FIG. & ITEM	MATERIAL	FINISH
<u>Fig. 4</u> Bifurcation assy (10,10C,15,15A, 15C)		If required apply BMS 10-60, type 2 enamel, per airline standard color scheme, (F-19.39-XXX) to those areas previously painted. Preapre surface of bifurcation assembly contacted by door (945) and apply BMS 10-86 type 1, white, per 20-44-01, type 27 (SRF-14.9624). *[1]
Retainer (138)	Aluminum alloy	Chromic acid anodize, type 1 (F-17.04) and apply two coats BMS 10-11, type 1 primer (F-20.03). Primer not required in holes.
Liner (159A,159C, 159D,159E)		See Fig. 604.
Liner (192,195)	17-7 PH CRES 180-200 KS1	Inside surface: Nickel plate 0.003 - 0.005 inch thick per BMS 10-36, type II. Outside surface: Cadmium plate, type 2, class 2 (0.0003 - 0.0010 inch thick) and apply one coat BMS 10-11, type 1 primer (F-16.01).
Angle (207,210, 558), Filler (543), V-Clip (603), Channel (606)	Aluminum alloy	Chemically treat (colored film) and apply BMS 10-11, type 1 primer (F-18.06) all over.
Track (162,165), Filler (213)	Aluminum alloy	Chromic acid anodize, type 1 and apply one coat BMS 10-11, type 1 primer (F-18.13) all over.

Refinish Details
 Figure 601 (Sheet 4)

71-11-32

REPAIR 8-1

01.1

Page 604

Jul 01/03


BOEING
 COMPONENT
 MAINTENANCE MANUAL

IPL FIG. & ITEM	MATERIAL	FINISH
Pin (225)		See Fig. 606.
Pin (243)	15-5 PH CRES 150-170 KSI	Cadmium plate, type 2, class 2 (F-15.06). Omit plating from threads.
Bolt (249,375)	A286 CRES	Cadmium plate, type 2, class 2 (F-15.06) all over.
Strip (522,555)		See Fig. 607.
Doubler (678)		
Bracket (708)	Inconel 625	Apply one coat BMS 10-11, type 1 primer (F-20.02) all over.
Rod (744)		See Fig. 608
Spring (747)	302 steel wire	Prepare surface and passivate, type 2 (F-17.09).
Filler (750)	Aluminum alloy	Chemically treat (colored film) and apply two coats BMS 10-11, type 1 primer (F-18.03) all over.
Handle assy (753)		Apply one coat BMS 10-11, type 1 primer (F-20.02). Apply one coat BMS 10-11, type 2 enamel, BAC 101 red (SRF-14.905-101) all over.

Refinish Details
 Figure 601 (Sheet 5)

71-11-32

REPAIR 8-1

01.1

Page 605

Jul 01/03

IPL FIG & ITEM	MATERIAL	FINISH
<u>Fig. 5</u>		
Cover (55) Retainer (80,85)	Aluminum alloy	Chemically treat (colored film) and apply one coat BMS 10-11, type 1 primer (F-18.06) all over.
Bracket (140,145)	Aluminum alloy	Chemically treat all surfaces (colored film) (F-17.07). Apply Desoto high temperature polyurethane primer (F-19.43). No finish on area having seal vulcanized to it.
<u>Fig. 6</u>		
Strip (20), Shim (45)	Aluminum alloy	Chromic acid anodize, type 1 and apply one coat BMS 10-11, type 1 primer (F-18.13) all over.
Strip (30, 40, 50, 60, 70, 75, 85), Molding (90, 95)	Aluminum alloy	Chemically treat (colored film) and apply one coat BMS 10-11, type 1 primer (F-18.06) all over.
Duct Assy (140)		See Fig. 609.
Spacer (220,225)	Aluminum alloy	Chromic acid anodize, type 1 (F-17.04). Apply two coats BMS 10-11, type 1 primer (F-20.03) all over.
Bond Assy (215)		See Fig. 610.

Refinish Details
 Figure 601 (Sheet 6)

71-11-32

REPAIR 8-1

01.1

Page 606

Jul 01/03


BOEING
 COMPONENT
 MAINTENANCE MANUAL

IPL FIG & ITEM	MATERIAL	FINISH
<u>Fig. 7</u> Support assy (85, 90)		Apply two coats BMS 10-11, type 1 primer (F-20.03). Omit primer from threads of nutplates.
<u>Fig. 9</u> Liner (70)		See Fig. 604.
Pin (50)	15-5ph CRES	Cadmium plate and apply one coat of BMS 1-11 primer (F-16.01).
Retainer (235,240, 270,275,280,285, 290,310,315,325, 330,340,345,350, 355)	301 CRES	Prepare surface and passivate (F-17.09) all over.
<u>Fig. 10</u> Inlet Assy (280A)		Chromic acid anodize, type 1 and apply BMS 10-11, type 1 primer (F-18.13).
Spacer (36,40,64, 68,94,98,118,122, 140,144,162,166, 188,192)		Assemble with wet BMS 10-11, type 1, grade A primer (F-20.06) all over except on threads of nutplate.
Fairing (202,626, 718,720)	Aluminum alloy	Chemical treat all surfaces (F-17.07). Apply one coat BMS 10-79, type 3 primer (F-19.47).

Refinish Details
 Figure 601 (Sheet 7)

71-11-32

REPAIR 8-1

01.1

Page 607

Jul 01/03

IPL FIG & ITEM	MATERIAL	FINISH
Duct Assy (270)		Manual application of colored chemical coating (F-17.10) on the exterior bared areas. Apply one coat of BMS 10-11, type 1 primer (F-20.02) on interior and exterior of bared areas. Overspray permitted.
Duct Assy (270A)		Chromic and anodize and apply one coat of BMS 10-11, type 1 primer (F-18.13).
Bracket (296,298)	Inconel	Apply two coats BMS 10-11, type 1 primer (F-20.03).
Wall Assy (338)		Manual application of colored chemical coating (F-17.10). Apply one coat of BMS 10-11, type 1 primer (F20.02) to the exposed rivet heads, common to rubstrip. Prepare surface and apply BMS 10-86, type 1 or type 2 color gray type 27 (F-14.9624) to the outer surface of rubstrip.
Strip (356,358,360,362,364)	304 CRES	Prepare surface and passivate, method 2 (F-17.09) to the exterior (Rub) surfaces. Apply two coats BMS 10-11, type 1 primer to the interior surface which fays with the aluminum surface.
Plate (788)	15-5PH CRES	Cadmium plate and apply one coat of BMS 10-11 primer (F-16.01).

Refinish Details
Figure 601 (Sheet 8)

71-11-32

REPAIR 8-1

01.1

Page 608

Jul 01/03


BOEING
 COMPONENT
 MAINTENANCE MANUAL

IPL FIG & ITEM	MATERIAL	FINISH
Strap (792)	Aluminum Alloy	Chemical treat on the interior and exterior. Apply one coat of BMS 10-11 primer (F-18.06).
Fitting (802,804,850,852,854,856,912,914,916,918)		Chromic acid anodize and apply one coat of BMS 10-11 primer (F-18.13).
Duct Assy (940)		See Fig. 611.
Duct (950) Stiffener (948)		After heat treat and before assembly of the stiffener and duct, chromic acid anodize (F-17.04) all over and apply Desoto to primer (F-19.43).
<u>Fig. 11</u>		
Bracket assy (20,25,410,460), Bracket (69,551),	Aluminum alloy	Chemically treat (colored film) and apply BMS 10-11, type 1 primer (F-18.06) all over.
Filler (490,495), Stiffener (518) Seal (556)	Aluminum alloy	Chromic acid anodize, type 1 and apply one coat BMS 10-11, type 1 primer (F-18.13) all over.
Retainer (55)	15-5 PH CRES 150-170 KS1	Cadmium plate, type 2, class 2, and apply one coat BMS 10-11, type 1 primer (F-16.01). Omit primer in hole for insert.

Refinish Details
 Figure 601 (Sheet 9)

71-11-32

REPAIR 8-1

01.1

Page 609

Jul 01/03

IPL FIG & ITEM	MATERIAL	FINISH
Strip (70)	Aluminum alloy	Chemically treat all surfaces (colored film) (F-17.07). Apply one coat BMS 10-79, type 2 primer (F-19.46) all over. Apply BMS 10-60, type 2 enamel per airline standard color scheme (F-19.39-XXX) all over.
Strip (71V,72,72F,72L)		Chemical treat all surfaces (F-17.07). Apply one coat BMS 10-79, type 3 primer (F-19.47).
Fitting (102,104,106,108,110,112)		Chromic acid anodize and apply one coat of BMS 10-11, type 1 primer (F-18.13) all over except omit primer from hole for bushing.
Bracket (445,450)		Anodize (F-17.05). Apply BMS 10-11, type 1 primer (F-20.02).
<u>Fig. 12</u>		
Ring Assy (1A,5)	Aluminum alloy	Chemically treat (colored film) and apply one coat BMS 10-11, type 1 primer (F-18.06) all over.

*[1] Do not paint seals, bushings, holes, bearings, tubing, cables, wires, latches, latch covers, or any other non-structural item.

Refinish Details
Figure 601 (Sheet 9)

71-11-32

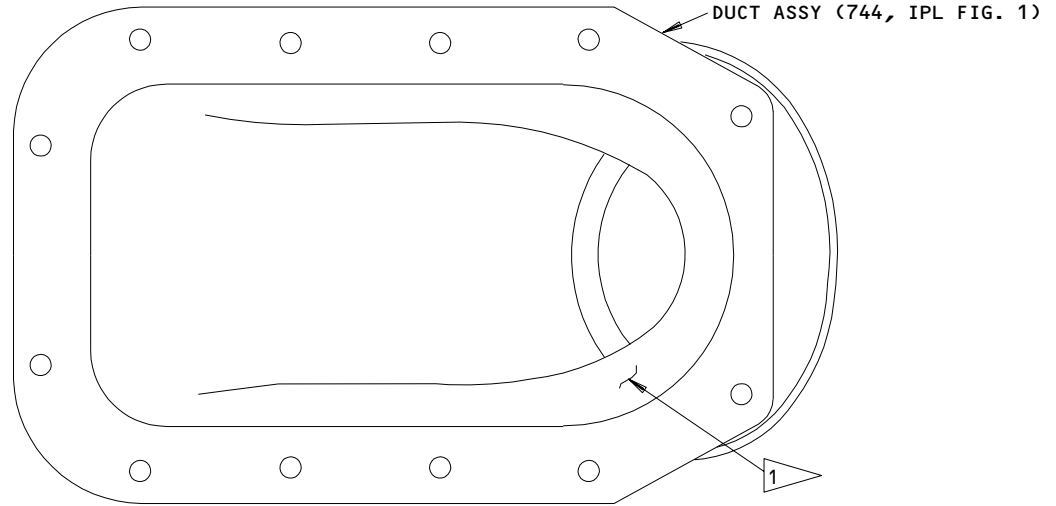
REPAIR 8-1

01.1

Page 610

Jul 01/03

BOEING
COMPONENT
MAINTENANCE MANUAL



REFINISH

CHROMIC ACID ANODIZE, TYPE 1 (F-17.04) AND APPLY DESOTO HIGH TEMPERATURE POLYURETHANE PRIMER (F-19.43) ALL OVER. APPLY BMS 10-60, BAC707 GRAY GLOSS ENAMEL (SRF-14.9813) TO INSIDE OF DUCT AND AREA INDICATED BY 1 .

MATERIAL: ALUMINUM ALLOY

315T3121-1
Refinish of Duct Assembly
Figure 602

209940

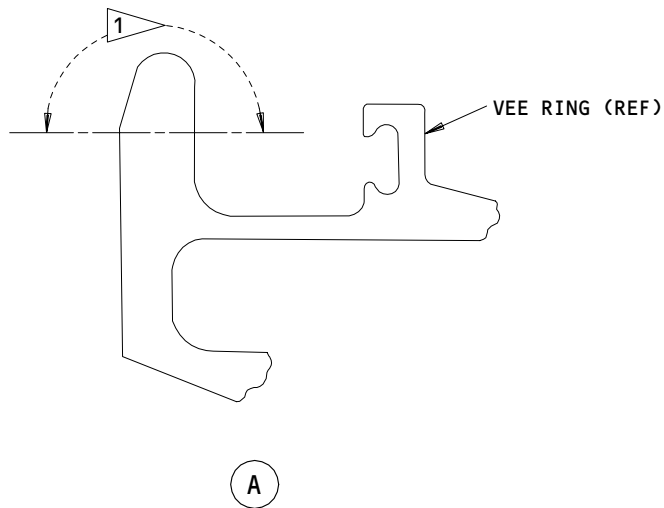
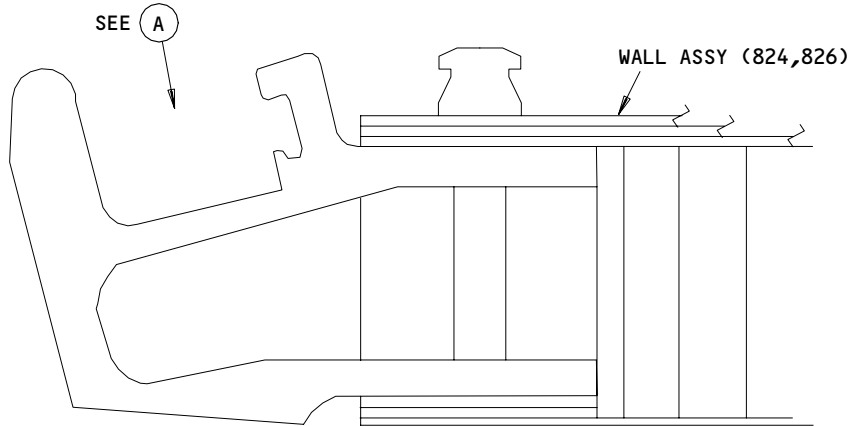
71-11-32

REPAIR 8-1

01.101

Page 611

Jul 01/03



1 APPLY BMS 3-8 TO THIS SURFACE PER
20-50-08

NOTE: ITEM NUMBERS REFER TO IPL FIG. 1

315T3100-43,-44
Refinish of Wall Assembly
Figure 603

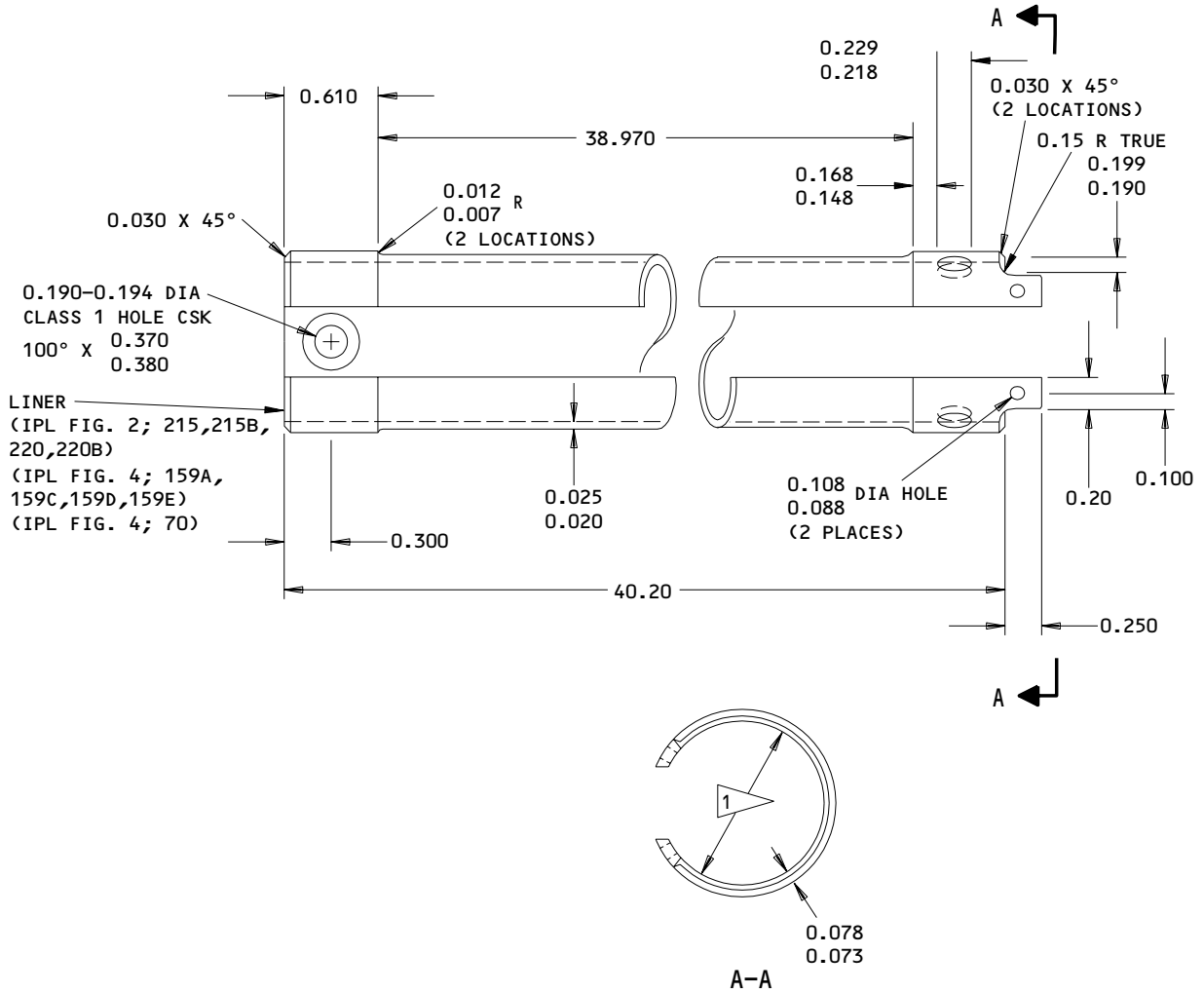
71-11-32

REPAIR 8-1

01.101

Page 612

Jul 01/03



REFINISH

NICKEL PLATE I.D. 0.003-0.005 INCH THICK PER BMS 10-36 TYPE 2 (OPTIONAL I.D. SURFACE FINISH 16 MICROINCH AND PASSIVATE).
 CADMIUM PLATE O.D. 0.0010 INCH MAXIMUM THICKNESS AND APPLY ONE COAT BMS 10-11, TYPE 1 PRIMER (F-16.01). DIMENSIONS APPLY AFTER PLATING AND FINISH COATING.

MATERIAL: 17-7PH CRES, HT TR (150-170 KSI)

ALL DIMENSIONS ARE IN INCHES

1 1.082 MINIMUM APPLIES TO FREE STATE ONLY

315T3415-6,-7,-8,-9,-16
 Refinish of Liner
 Figure 604

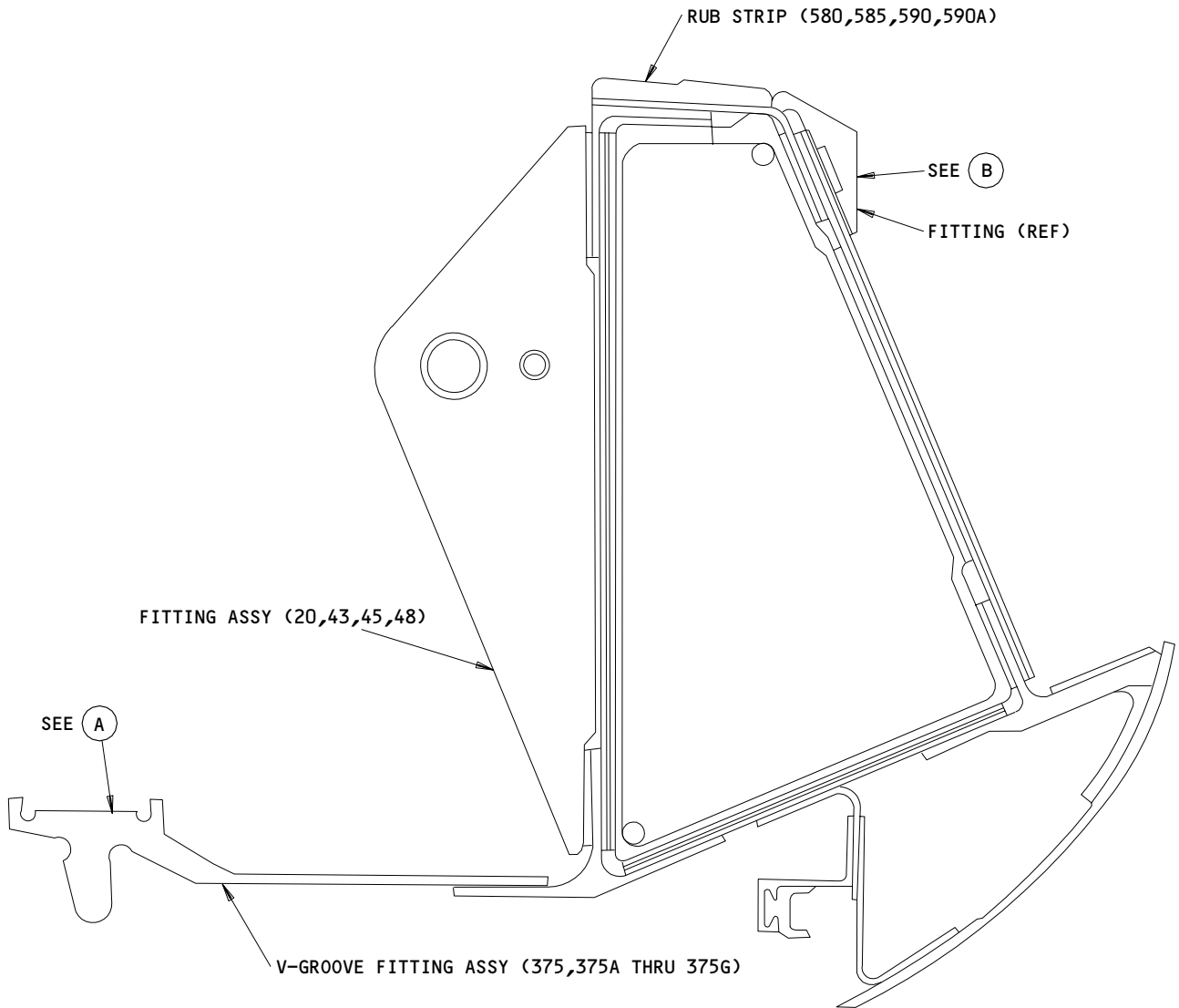
71-11-32

REPAIR 8-1

Page 613

Jul 01/03

01.1



ITEM NUMBERS REFER TO IPL FIG 3

315T3202-5000 series
Refinish of Torque Box Installation
Figure 605 (Sheet 1)

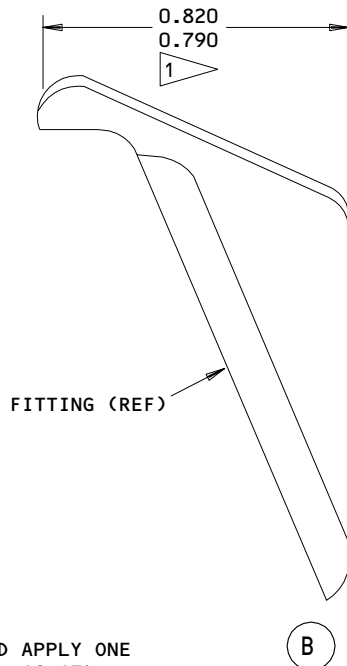
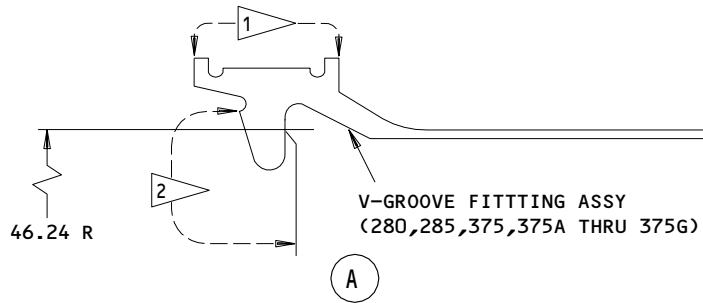
71-11-32

REPAIR 8-1

01.101

Page 614

Jul 01/03



REFINISH

CHROMIC ACID ANODIZE, TYPE 1 AND APPLY ONE COAT BMS 10-11, TYPE 1 PRIMER (F-18.13) ALL OVER EXCEPT THAT AREA COVERED BY 1.

1 FLASH ANODIZE AND APPLY BMS 3-8, CLASS A, PER 20-50-08, METHOD 3 (F-19.10), TO THIS SURFACE AROUND ENTIRE PART

2 SULFURIC ACID HARD ANODIZE, CLASS 1, GRADE 2 (F-17.06) AND APPLY BMS 3-8, CLASS A, PER 20-50-08, METHOD 3 (F-19.10) TO THIS SURFACE AROUND ENTIRE PART

MATERIAL: ALUMINUM ALLOY

ALL DIMENSIONS ARE IN INCHES

ITEM NUMBERS REFER TO IPL FIG. 3

Refinish of Torque Box Installation
 Figure 605 (Sheet 2)

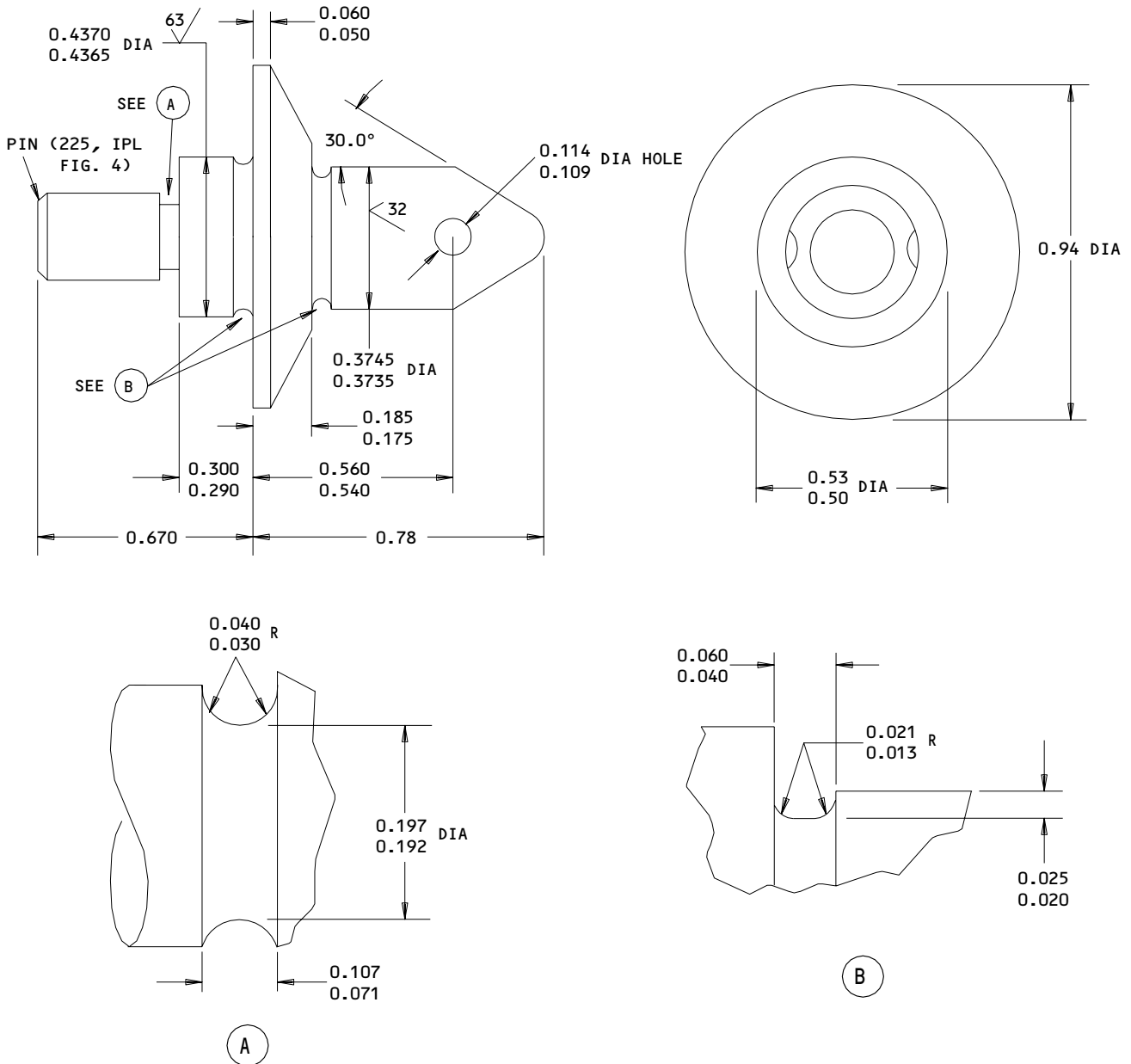
71-11-32

REPAIR 8-1

01.101

Page 615

Jul 01/03



REFINISH

CADMIUM PLATE, TYPE 2, CLASS 2, AND APPLY ONE COAT BMS 10-11, TYPE 1 PRIMER (F-16.01); DIMENSIONS SHOWN APPLY AFTER PLATING AND FINISH COATING. SURFACE TEXTURE DESIGNATIONS APPLY BEFORE PLATING OR FINISH COATING

MATERIAL: 15-5PH CRES, HT TR (150-170 KSI)

ALL DIMENSIONS ARE IN INCHES

315T3423-1

Refinish of Pin
 Figure 606

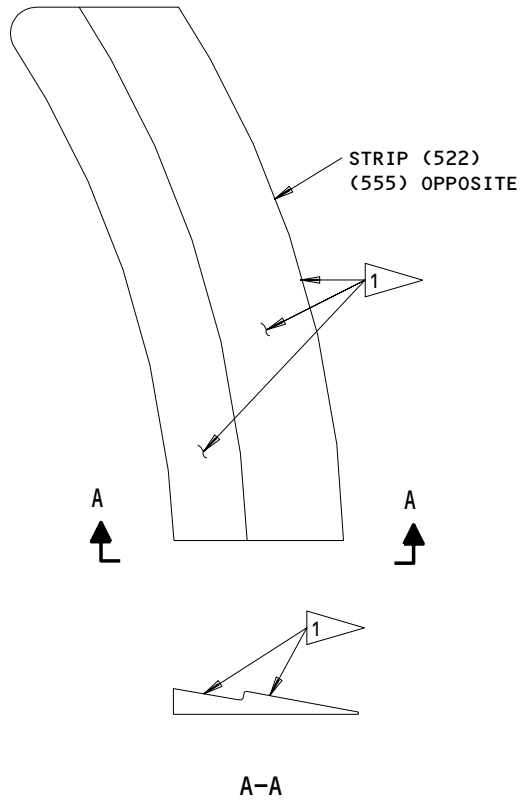
71-11-32

REPAIR 8-1

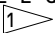
01.101

Page 616

Jul 01/03



REFINISH

CHROMIC ACID ANODIZE, TYPE 1 (F-17.04) AND APPLY BMS 10-79, TYPE 2 PRIMER (F-19.46) ALL OVER. APPLY BMS 10-60, TYPE 2 GLOSS ENAMEL ON AREAS INDICATED BY 

MATERIAL: ALUMINUM ALLOY

NOTE: ITEM NUMBERS REFER TO IPL FIG. 4

 APPLY ENAMEL TO THESE AREAS

315T3411-1, -2

Refinish of Strip
Figure 607

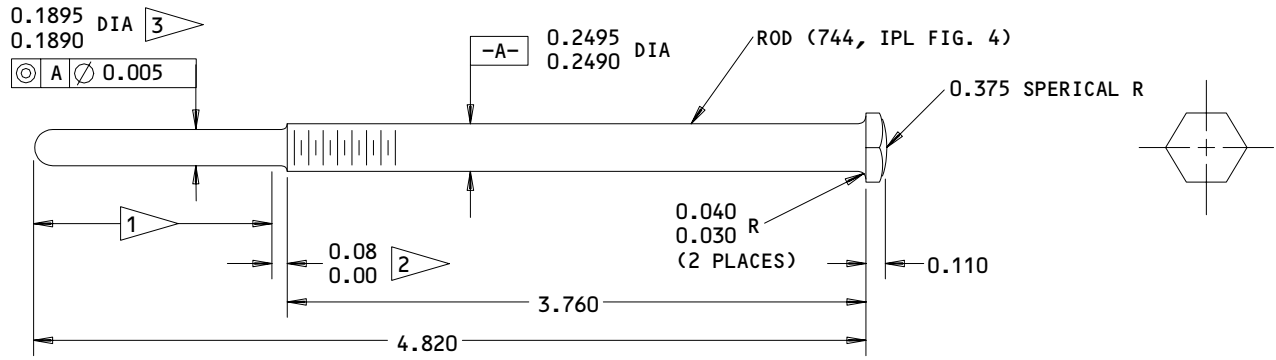
71-11-32

REPAIR 8-1

01.101

Page 617

Jul 01/03



REFINISH

MATERIAL: 15-5PH CRES, HT TR (180-200 KSI)

PREPARE SURFACE AND PASSIVATE (F-17.09)
 CHROME PLATE (F-15.03) ON INDICATED AREA

ALL DIMENSIONS ARE IN INCHES

- 1 CHROME PLATE THIS AREA
- 2 NO CHROME PLATE IN THIS AREA
- 3 DIMENSIONS APPLY AFTER PLATING

315T1452-2
 Refinish of Rod
 Figure 608

209951

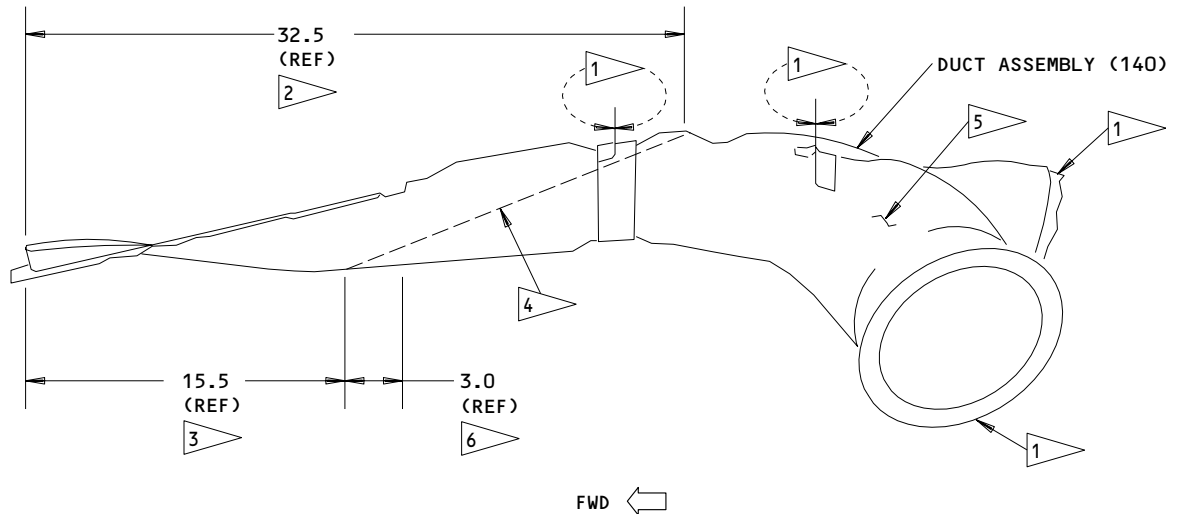
71-11-32

REPAIR 8-1

01.101

Page 618

Jul 01/03



315T3125-16,-19

REFINISH

315T3125-16,-19:

AFTER FUNCTIONAL TESTING APPLY ONE COAT
 BMS 10-11, TYPE 1 PRIMER (F-20.02) TO
 EXTERIOR SURFACES OF DUCT ASSY.

INTERIOR SURFACES: APPLY NO FINISH. APPLY
 MA-25S AS FOLLOWS:

- 1 NO MA-25S REQUIRED
- 2 ON FAN DUCT SIDE OF DUCT ASSEMBLY
NO MA-25S IS REQUIRED FORWARD OF
THIS POINT
- 3 ON ENGINE CASE SIDE OF DUCT ASSEMBLY
NO MA-25S IS REQUIRED FORWARD OF THIS
POINT
- 4 THE ZERO THICKNESS POINT ON THE
SIDES OF THE DUCT ASSEMBLY WILL
VARY LINEARLY BETWEEN 2 AND 3
- 5 3/8 INCH OF MA-25S ON REMAINDER
OF DUCT ASSEMBLY
- 6 TAPER MA-25S FROM ZERO TO 3/8 INCH,
EXCEPT NO MA-25S ON FLANGES

ALL DIMENSIONS ARE IN INCHES
 ITEM NUMBERS REFER TO IPL FIG. 6

315T3125-16,-19,-31
 Refinish of Duct Assembly
 Figure 609 (Sheet 1)

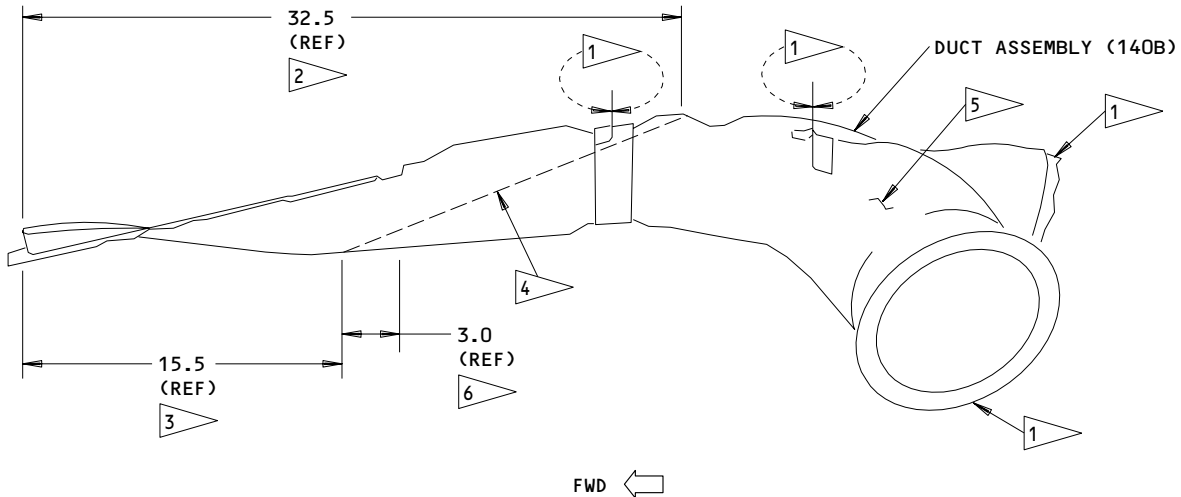
71-11-32

REPAIR 8-1

01.101

Page 619

Jul 01/03



315T3125-31

REFINISH

315T3125-31:
 AFTER FUNCTIONAL TESTING APPLY ONE COAT
 BMS 10-11, TYPE 1 PRIMER (F-20.02) TO
 EXTERIOR SURFACES OF DUCT ASSEMBLY.
 INTERIOR SURFACES: APPLY NO FINISH. APPLY
 CROWN-METRO AS FOLLOWS:

ITEM NUMBERS REFER TO IPL FIG. 9
 ALL DIMENSIONS ARE IN INCHES

- 1 NO CROWN-METRO REQUIRED
- 2 ON FAN DUCT SIDE OF DUCT ASSEMBLY
 NO CROWN-METRO IS REQUIRED FORWARD OF
 THIS POINT
- 3 ON ENGINE CASE SIDE OF DUCT ASSEMBLY
 NO CROWN-METRO IS REQUIRED FORWARD OF THIS
 POINT
- 4 THE ZERO THICKNESS POINT ON THE
 SIDES OF THE DUCT ASSEMBLY WILL
 VARY LINEARLY BETWEEN 2 AND 3
- 5 0.32 INCH OF CROWN-METRO ON REMAINDER
 OF DUCT ASSEMBLY
- 6 TAPER CROWN-METRO FROM ZERO TO 0.32 INCH,
 EXCEPT NO CROWN-METRO ON FLANGES

315T3125-16,-19,-31
 Refinish of Duct Assembly
 Figure 609 (Sheet 2)

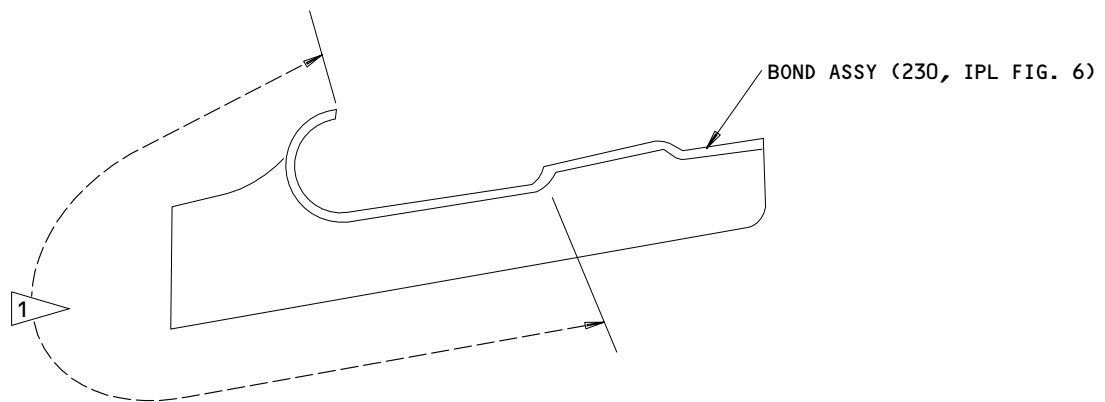
71-11-32

REPAIR 8-1

01.101

Page 620

Jul 01/03

**REFINISH**

1

PREPARE SURFACE AND APPLY DEXTER
 28-C-1 STATIC CONDITIONER PLUS
 DEXTER 8-W-5 SURFACER (SRF-14.672).
 APPLY TWO COATS BMS 10-11, TYPE 1
 PRIMER (F-20.03)

MATERIAL: FIBERGLASS/KEVLAR

Refinish of Bond Assembly
 Figure 610

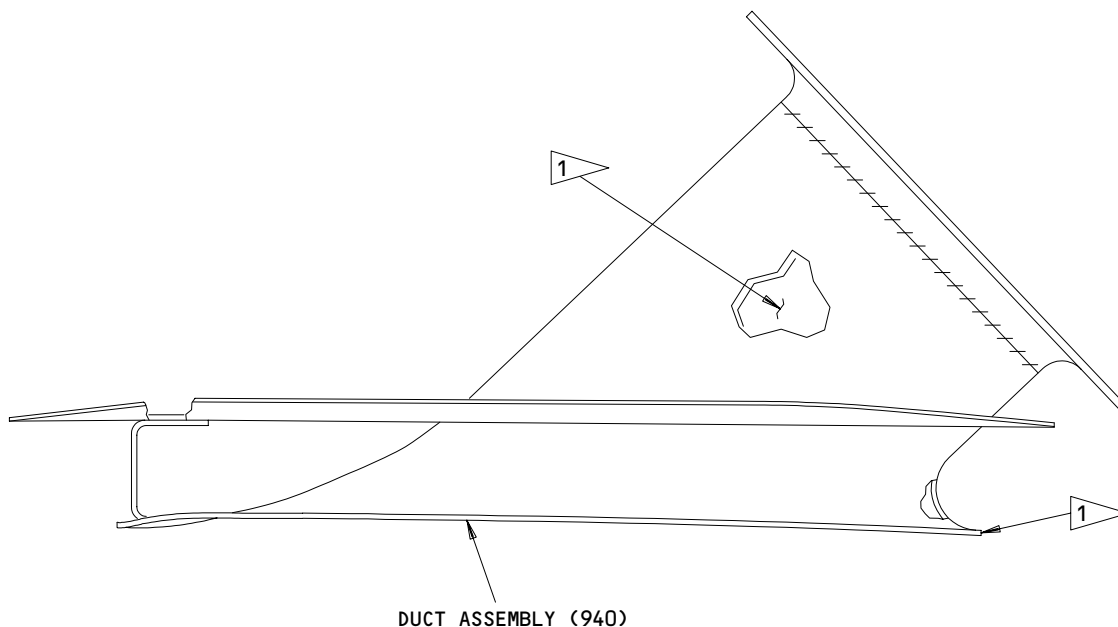
71-11-32

REPAIR 8-1

01.101

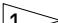
Page 621

Jul 01/03



NOTE: ITEM NUMBERS REFER TO IPL FIG. 10

REFINISH

APPLY DESOTO PRIMER (F-19.43) ON THE
FASTENERS AFTER ASSEMBLY.
APPLY BMS 10-60 BOEING COLOR 707 GRAY
GLOSS ENAMEL (F-14.9813) ON THE INTERIOR
OF THE DUCT AND AS INDICATED BY 

Refinish of Duct Assembly
Figure 611

71-11-32

REPAIR 8-1

01.101

Page 622

Jul 01/03

COWL CATCH - REPAIR 9-1

315T3554-2

NOTE: Refer to REPAIR-GENERAL for a list of applicable standard practices.

1. Cowl Catch Replacement (IPL Fig. 1, 10)

- A. Mark location of cowl catch on rivet bond assembly (845, 845G, IPL Fig. 1; 359, 359G, IPL Fig. 10) to locate replacement cowl catch. Remove cowl catch (838A, IPL Fig. 1; 352A, IPL Fig. 10).
- B. Position replacement cowl catch on rivet bond assembly to the forward/aft dimension shown in Fig. 601 and the location marked in step 1.A.
- C. Drill 0.1885-0.1905 inch diameter holes in replacement cowl catch to match existing holes in rivet bond assembly. Drill two outboard cowl catch holes first. Install temporary fasteners to secure the cowl catch to the rive bond assembly. Drill the four remaining holes.

NOTE: Replacement cowl catch does not have fastener holes drilled.
- D. Remove all temporary fasteners.
- E. Deburr holes.
- F. Install bolts (837, IPL Fig. 1; 351, IPL Fig. 10) and collars (837G, IPL Fig. 1; 351G, IPL Fig. 10), 6 locations.

2. Refinish

- A. Cowl catch (838A, IPL Fig. 1; 352A, IPL Fig. 10) -- Cadmium plate (F-15.06) and apply two coats Desoto high temperature polyurethane primer, type 51 (F-19.43). Material: 15-5PH CRES, 180-200 ksi.

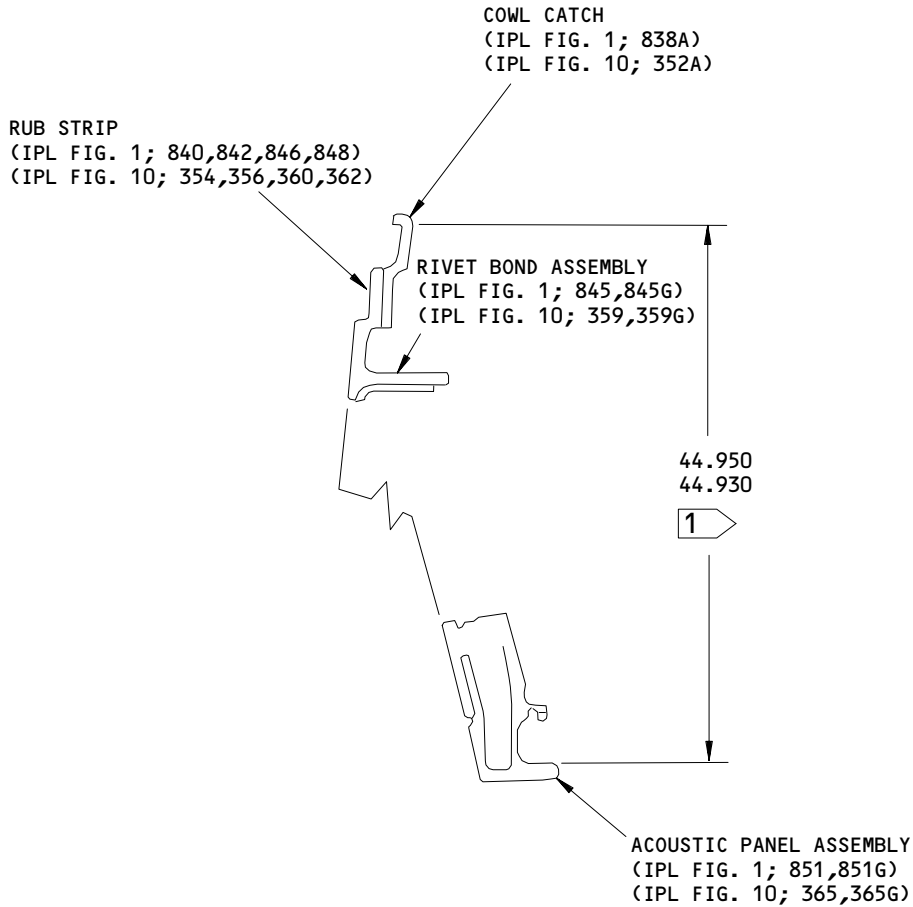
71-11-32

REPAIR 9-1

01.1

Page 601

Sep 01/95



1 FORWARD/AFT DIMENSION

ALL DIMENSIONS ARE IN INCHES

315T3554-2

Cowl Catch Replacement
 Figure 601

71-11-32

REPAIR 9-1

Page 602

Sep 01/95

01.1

ASSEMBLY1. Materials

NOTE: Equivalent substitutes may be used.

- A. Adhesive -- Type 60 (Ref 20-50-12)
 - Type 68 (Ref 20-50-12)
 - RTV157 (Ref 20-60-04)
- B. Coating, Clear Skydrol Resistant -- 683-3-2 base, X-310A catalyst (Ref 20-60-02)
- C. Compound, Ablative -- MA-25S (Ref 20-60-04), (CMM 71-11-01)
- D. Compound, Corrosion Preventive -- MIL-C-11796, Class 3 (Ref 20-60-04)
- E. Lockwire -- MS20995C32, MS20995C41, or MS20995C47
- F. Parting Agent -- Strippable vinyl coating 4A-183 (Ref 20-60-04) or coating consisting of one part by weight vinyl tubing, four parts by weight cyclohexanone, and one part by weight F20629 pigment.
- G. Primer -- BMS 10-11, type 1 (Ref 20-60-02)
- H. Sealant -- BMS 5-63C, Class B-4 (Ref 20-60-04)
 - BMS 5-63 (Ref 20-60-04)

CAUTION: ONLY TITANIUM OR CORROSION RESISTANT STEEL FASTENERS SHALL BE USED WITH GRAPHITE COMPOSITES. SUBSTITUTION WITH ALUMINUM OR PLATED ALLOY STEEL FASTENERS IS NOT ALLOWED AS GALVANIC CORROSION WILL SHORTEN COMPONENT SERVICE LIFE.

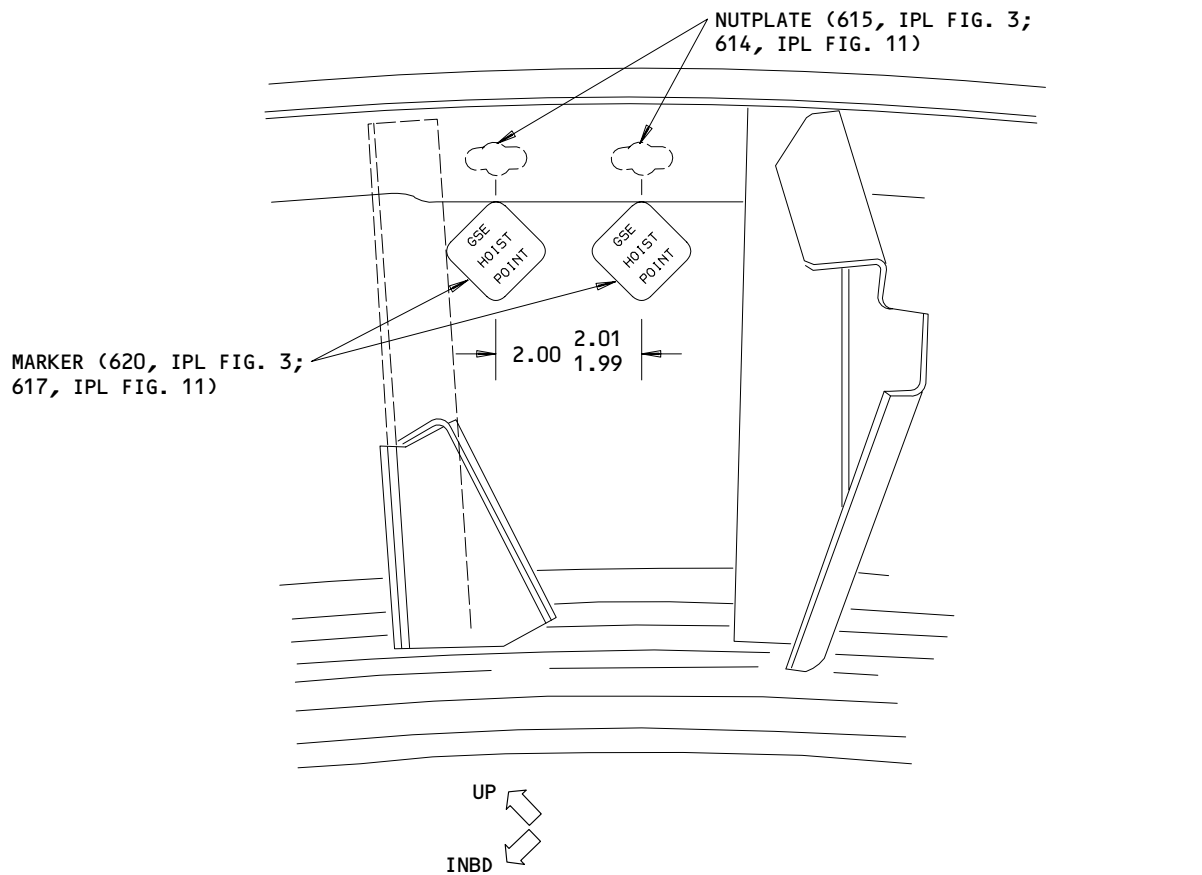
2. Assembly

- A. Use standard industry practices for the assembly of this component plus the following procedures.
- B. Assembly of Torque Box Installation (1, 5, IPL Fig. 3; 1, 5, IPL Fig. 11)
 - (1) Apply BMS 10-11, type 1 primer to nutplates (275, 315, 350, 390, 600, 615, IPL Fig. 3; 35, 70A, 515, 530, 614, IPL Fig. 11) omitting primer from threads, and assemble wet.

71-11-32ASSEMBLY
Page 701
Jul 01/92

01.1

- (2) Apply a light coat of BMS 10-11, type 1 primer to insert (365, IPL Fig. 3; 50, IPL Fig. 11). Install insert 1 1/2 to 2 1/2 turns below top of tapped hole. Remove tangs.
- (3) Install shims (110, 115, 120, IPL Fig. 3; 355, 360, 365, IPL Fig. 11) if and as required same thickness as removed (see Disassembly). Apply BMS 10-11, type 1 primer and install wet or dry.
- (4) Bond marker (620, IPL Fig. 3; 617, IPL Fig. 11) per 20-50-05 as shown in Fig. 701. Seal edges using clear Skydrol resistant topcoating.



Installation of Markers
 Figure 701

C. Assembly of Upper Bifurcation Installation (IPL Fig. 2).

- (1) Apply BMS 10-11, type 1 primer to nutplates (150, 155, 160, 380, 385, 440, 500), omitting primer from threads.
- (2) Delaminate shims (130, 345, 345A, 350, 350A) as required. Gap prior to fastener installation shall be 0.005 inch maximum with a maximum shim thickness of 0.062 inch. Apply BMS 10-11, type 1 primer to shims and install wet or dry between the following parts:
 - (a) Shim (130) between filler (135, 140) and contacting structure.
 - (b) Shims (345, 345A, 350, 350A) between attach assembly (355, 355A, 360, 360A) and contacting structure.
- (3) Apply faying surface seal of BMS 5-63 sealant between the following parts:
 - (a) Bracket assembly (270) and contacting structure.
 - (b) Attach assembly (355, 355A, 360, 360A) and panel assembly (235, 235A).
 - (c) Pad assemblies (425, 430, 485, 490) and panel assembly (235, 235A).
- (4) Install rivet (100, 145, 375, 435, 495) by squeeze method only. Do not drive.
- (5) Apply BMS 10-11, type 1 primer to liners (215, 215B, 220, 220B) and assemble wet.
- (6) Lockwire bolt (200) to one or both holes in liner (215, 215B, 220, 220B).
- (7) Install all fasteners that penetrate panel assembly (235, 235A) with wet BMS 5-63 sealant under heads and fillet seal collars. Except those collars covered by MA-25S per Fig. 706.

D. Assembly of Lower Bifurcation Assembly (IPL Fig. 4).

- (1) Apply BMS 10-11, type 1 primer to nutplates (492, 495, 513) omitting primer from threads.

71-11-32

01 ASSEMBLY
Page 703
Apr 10/86

- (2) Use shims (171, 174, 177, 180, 183) if and as required. Delaminate shims as required to adjust gap between track assembly (18, 21) and contacting structure. Gap after shimming and prior to fastener pull up to be 0.000-0.010 inch. Apply BMS 10-11, type 1 primer to shims and install wet.
- (3) Shims (171, 174, 177) may be made up with shorter length increments that include a minimum of two fastener locations each.
- (4) Apply faying surface seal of BMS 5-63 sealant to both sides of shims (171, 174, 177, 180, 183).
- (5) Apply faying surface seal of BMS 5-63 sealant between the following parts:
 - (a) Track assembly (18, 18A, 21, 21A) and contacting structure.
 - (b) Fitting assembly (312, 312A) and contacting structure.
 - (c) Hinges (672, 675, 885A) and door (732).
 - (d) Latch (693) and door (732).
 - (e) Brackets (708) and door (732).
- (6) No clamp-up permitted for installation of bolts (249, 375). Use additional washer or combination of washers (252, 255, 258, 261, 378, 381, 384, 387) to maintain 0.01-0.02 inch gap.
- (7) Secure hinge pin (654) per 20-50-02.
- (8) Install all fasteners which penetrate aluminum honeycomb with BMS 5-63 sealant under heads. Fillet seal collars and nuts with BMS 5-63 sealant except those covered by MA-25S as shown on Fig. 706.
- (9) Fill pockets in bifurcation assembly as shown in Fig. 702.
- (10) Assemble latch signal installation (735) as shown in IPL Fig. 4. Lockwire (MS20995C41) nuts (738) together per 20-50-02.

71-11-32

ASSEMBLY
Page 704
Apr 10/87

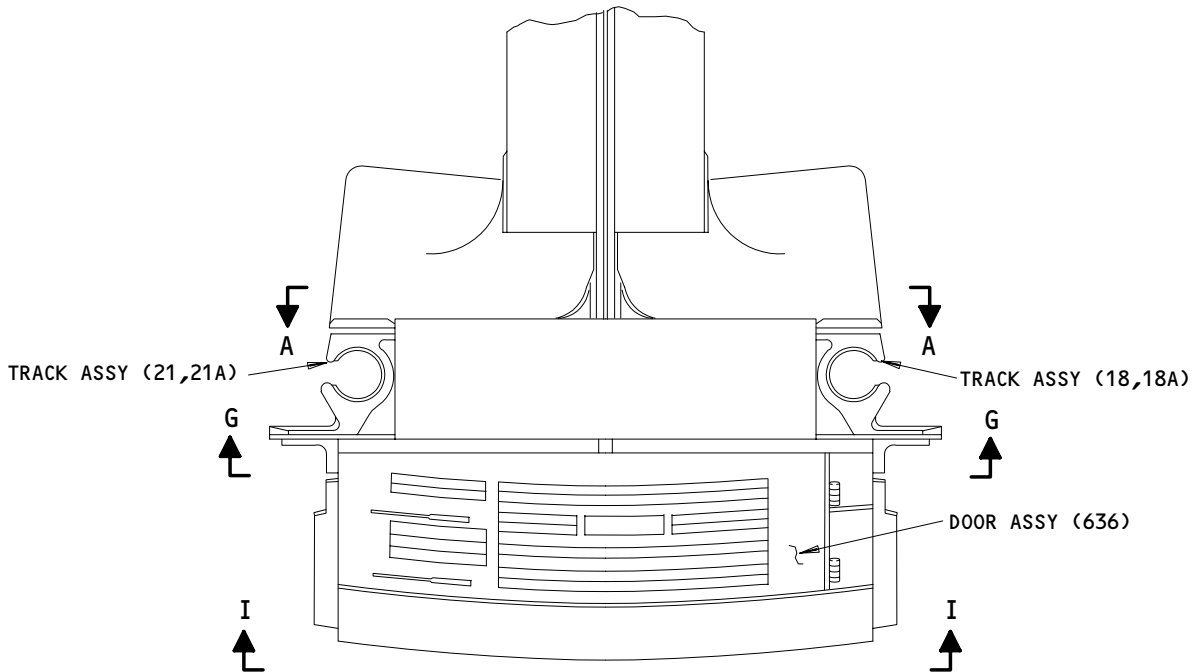
01.1

**BOEING**
COMPONENT
MAINTENANCE MANUAL

(11) Assemble liner (70, IPL Fig. 9), (159A, IPL Fig. 4) as follows:

- (a) Install liner (70, IPL Fig. 9) using screw (10, IPL Fig. 9), washer (15, IPL Fig. 9), nut (20, IPL Fig. 9) and retainer (25, IPL Fig. 9) or using bolt (35, IPL Fig. 9), washer (40, IPL Fig. 9), retainer (45, IPL Fig. 9) and pin (50, IPL Fig. 9) and install bolt (55, IPL Fig. 9), washer (60, IPL Fig. 9) and nut (65, IPL Fig. 9).
- (b) Install liner (159A, IPL Fig. 4) using bolt (144, IPL Fig. 4), washer (150, IPL Fig. 4) and nut (153, IPL Fig. 4) and install bolt (123, IPL Fig. 4), retainer (138, IPL Fig. 4), washer (129, IPL Fig. 4) and nut (135, IPL Fig. 4) or bolt (126, IPL Fig. 4), washer (132, IPL Fig. 4), retainer (138A, IPL Fig. 4) and pin (141, IPL Fig. 4).

71-11-3201.1 ASSEMBLY
Page 705
Jul 01/03



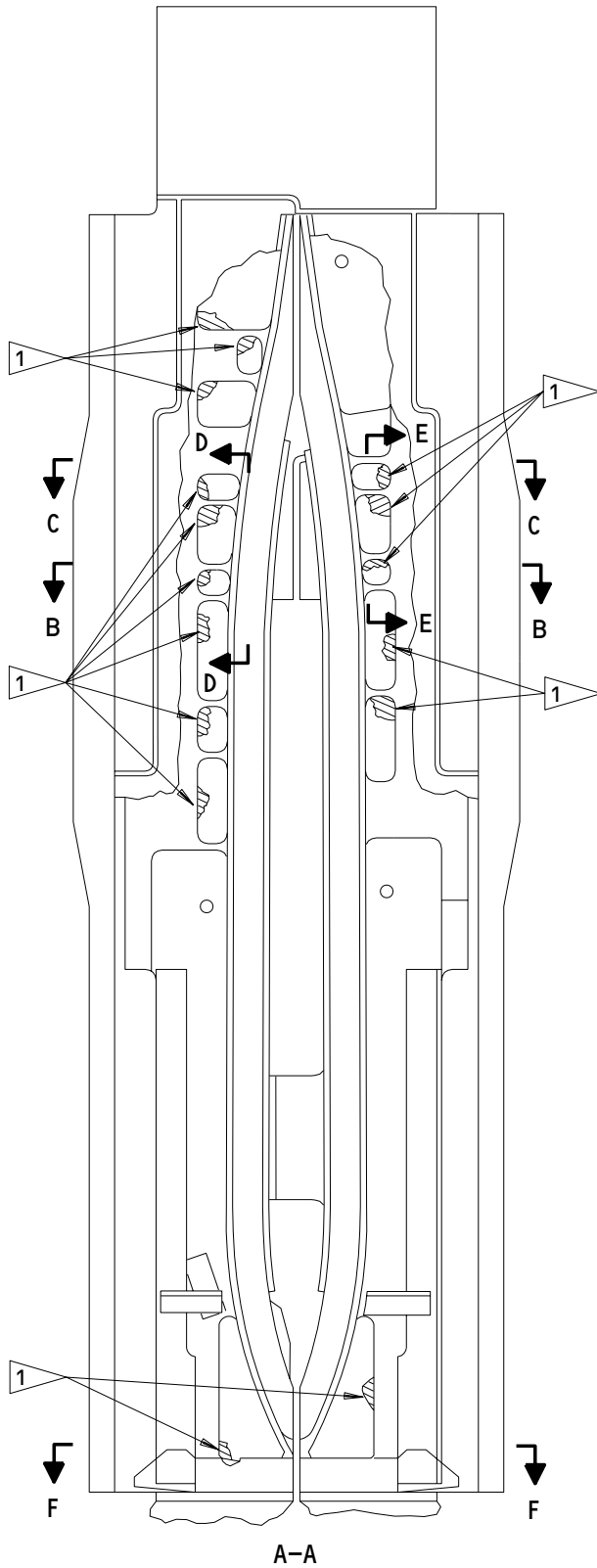
ITEM NO. REFER TO IPL FIG. 4

Application of Leveling Compound
Figure 702 (Sheet 1)

71-11-32

ASSEMBLY
Page 706
Jul 01/03

01.101



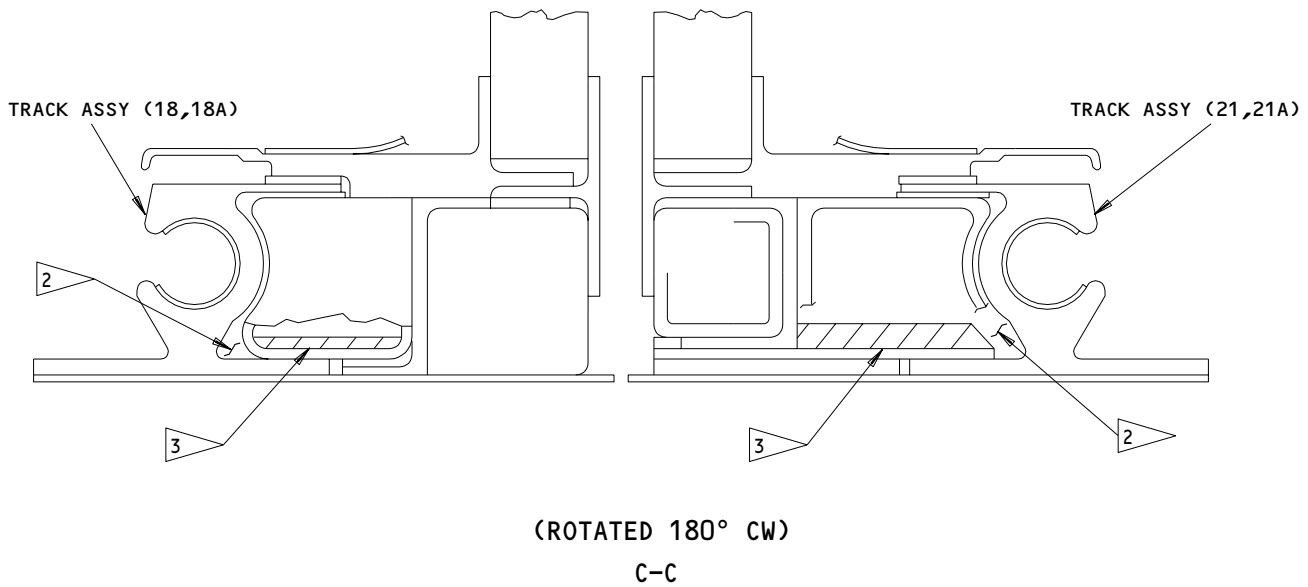
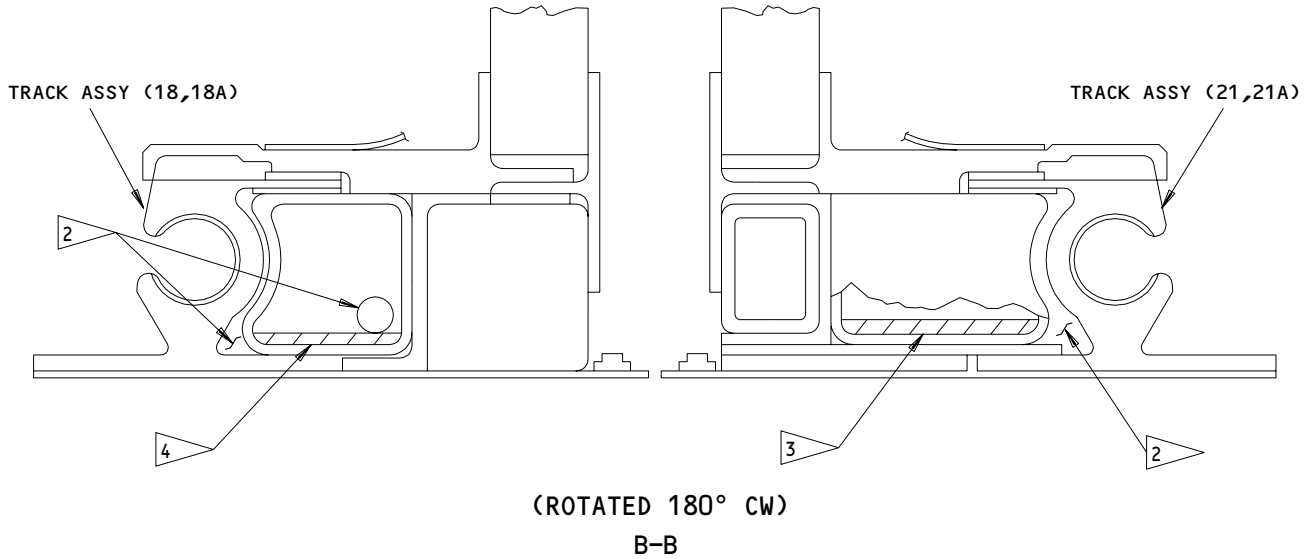
- 1 FILL POCKET OR RECESS LEVEL WITH OUTER EDGE USING BMS 5-63 SEALANT
- 2 CAUTION: DRAIN PATH. DO NOT PLUG OR OBSTRUCT
- 3 FILL POCKET OR RECESS APPROXIMATELY AS SHOWN. SLOPES SHOWN AFT 4-7 DEGREES. SLOPES SHOWN INBD OR OUTBOARD 7-10 DEGREES. PLUG OPENINGS AS SHOWN. USE BMS 5-63 SEALANT
- 4 FILL POCKET APPROXIMATELY AS SHOWN TO DRAIN TO HOLE OR LEVEL SURFACES WITH DRAIN PATH. FILL WITH BMS 5-63 SEALANT

Application of Leveling Compound
 Figure 702 (Sheet 2)

71-11-32

ASSEMBLY
 Page 707
 Jul 01/03

01.101

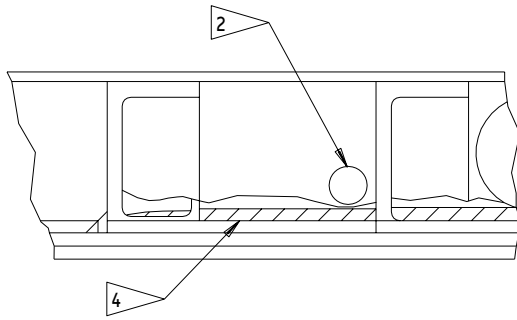


Application of Leveling Compound
 Figure 702 (Sheet 3)

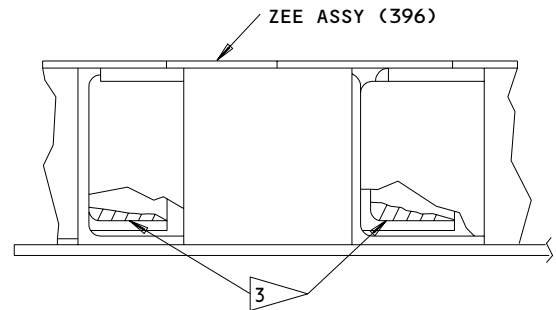
71-11-32

ASSEMBLY
 Page 708
 Jul 01/03

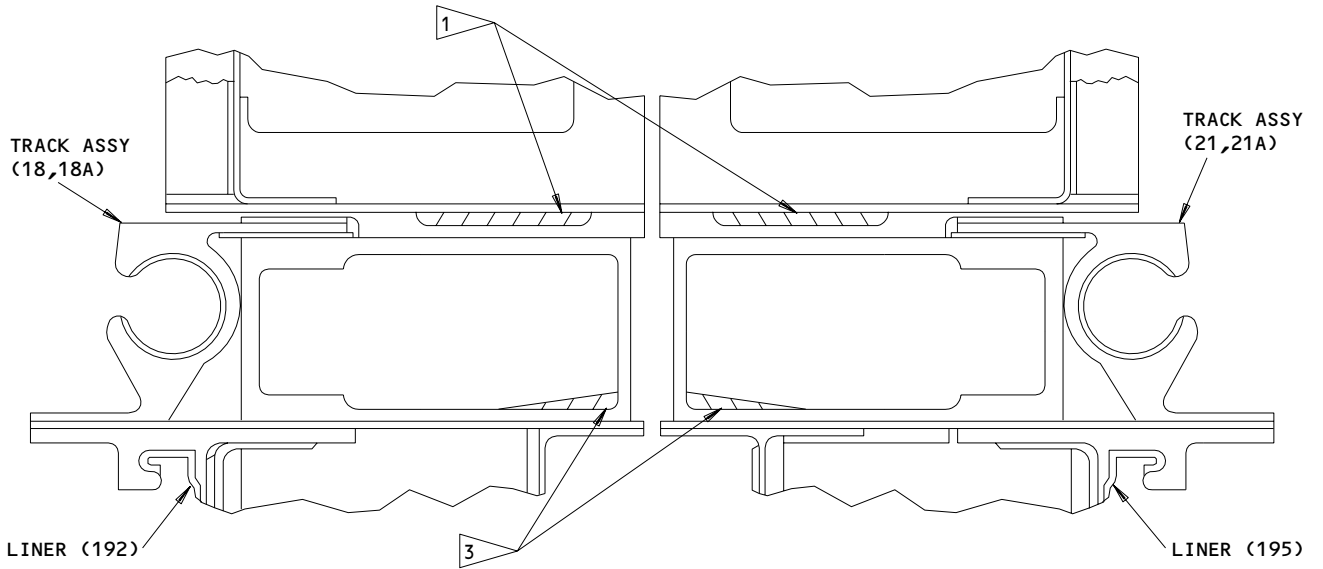
01.101



(ROTATED 90° CW)
D-D



(ROTATED 90° CCW)
E-E



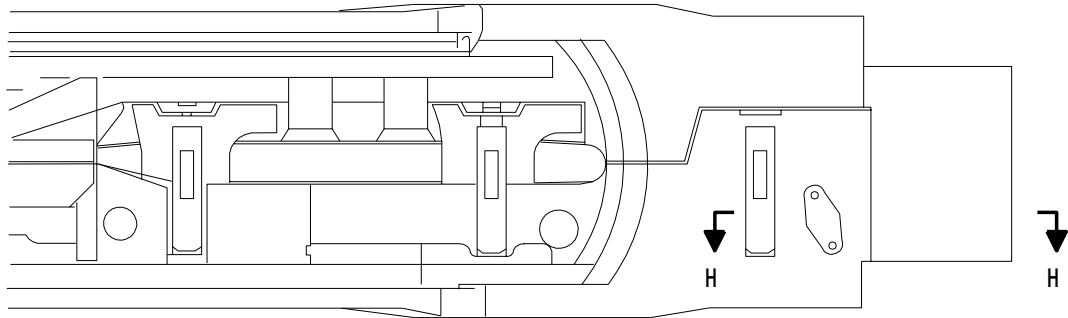
(ROTATED 180° CW)
F-F

Application of Leveling Compound
Figure 702 (Sheet 4)

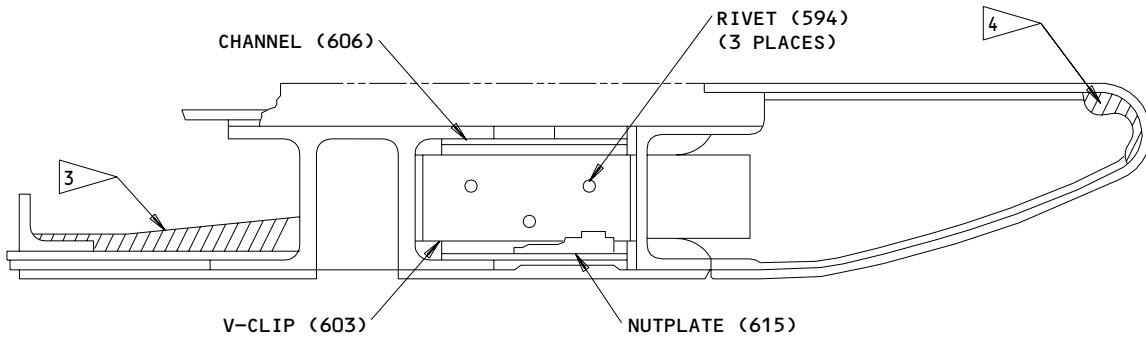
71-11-32

ASSEMBLY
Page 709
Jul 01/03

01.101



(ROTATED 90° CW)
 G-G



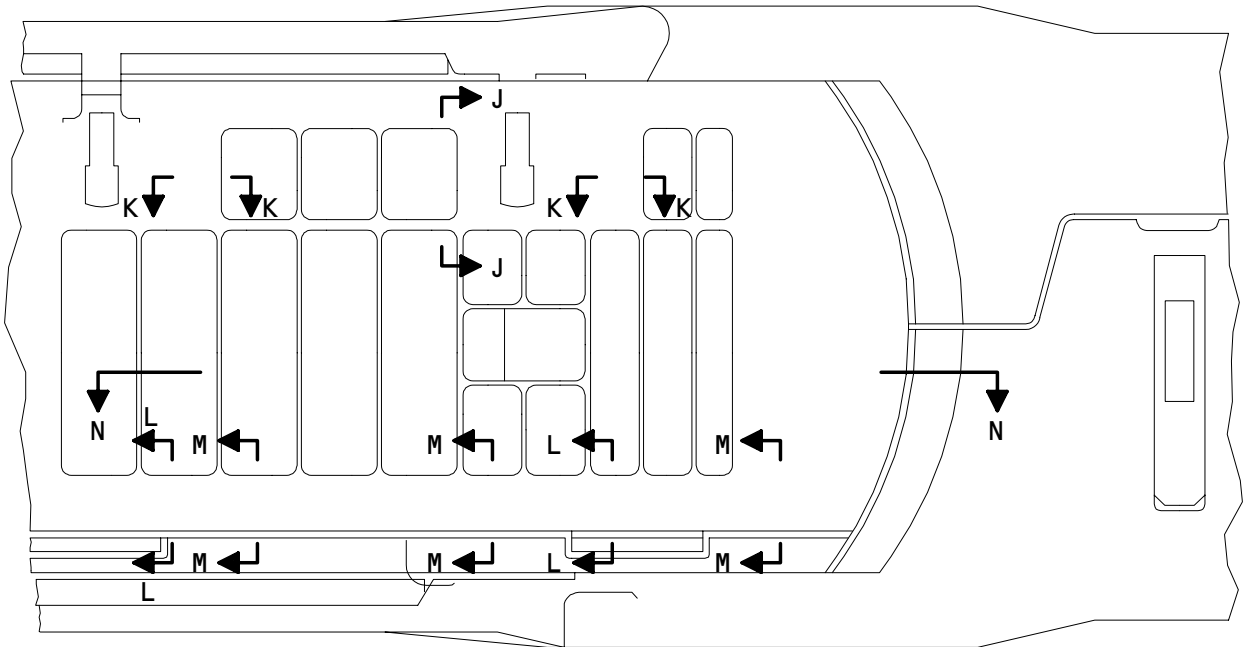
H-H

Application of Leveling Compound
 Figure 702 (Sheet 5)

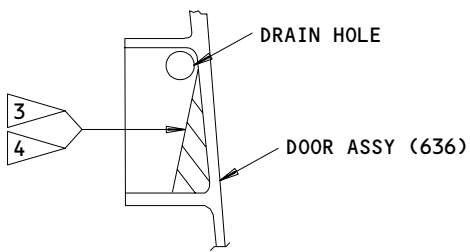
71-11-32

ASSEMBLY
 Page 710
 Jul 01/03

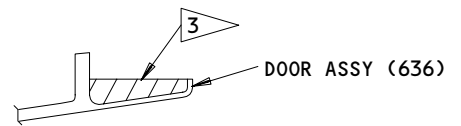
01.101



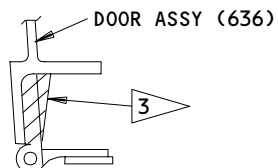
I-I



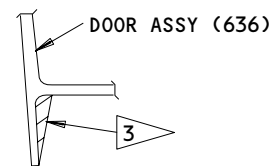
J-J



K-K



L-L



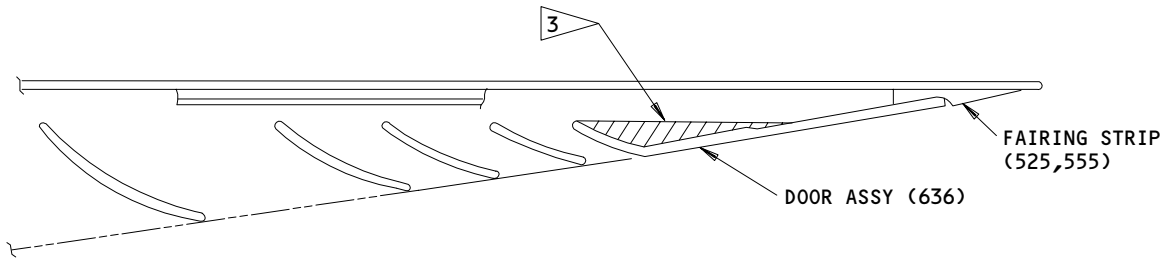
M-M

Application of Leveling Compound
Figure 702 (Sheet 6)

71-11-32

ASSEMBLY
Page 711
Jul 01/03

01.101



N-N

Application of Leveling Compound
Figure 702 (Sheet 7)

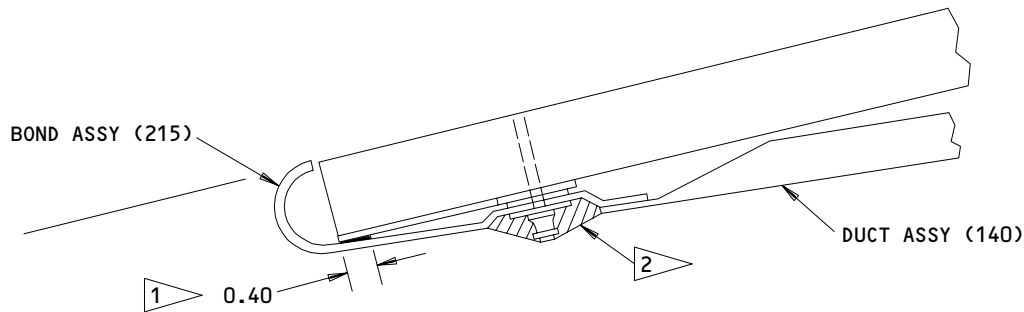
E. Assembly of Duct Installation (IPL Fig. 6).

- (1) Adjust thickness of shims (15, 25, 35, 80) to meet aerodynamic smoothness requirements shown in Fig. 708.
- (2) Apply BMS 5-63 sealant to shims (15, 25, 35, 45, 55, 65, 80, 230) and install.
- (3) Just prior to installing inlet duct assembly (140) run a bead of BMS 5-63 sealant 0.15 inch high. Bead of sealant to be placed on inlet duct assembly as shown in Fig. 703.
- (4) Install bolts (5) with wet BMS 5-63 sealant under head and fillet seal collar (10).
- (5) Fill channel groove of lip bond assembly (215) using BMS 5-63 sealant per Fig. 703.
- (6) Seal around the following parts using BMS 5-63: inlet duct assembly (140), inlet moldings (90, 95), and bond assembly (215).

71-11-32

ASSEMBLY
Page 712
Jul 01/03

01.101



- 1 APPLY BEAD OF SEALANT HERE
- 2 FILL CHANNEL WITH SEALANT

ITEM NO. REFER TO IPL FIG. 6

ALL DIMENSIONS ARE IN INCHES

Installation of Bond Assembly
 Figure 703

F. Assembly of Fan Duct Cowl Assembly (IPL Fig. 1).

- (1) Apply BMS 10-11, type 1 primer to nutplates (38, 56, 58, 84, 86, 110, 126, 140, 154, 163, 163A, 180, 188, 196, 204, 206, 214, 216, 224, 226, 234, 236, 244, 246) omitting primer from threads, and assemble wet.
- (2) Apply BMS 10-11, type 1 primer to tags (42, 64, 66, 92, 94, 114, 130, 144, 158) and assemble wet.

CAUTION: DO NOT DRIVE INSTALL RIVETS OR STRUCTURAL DAMAGE COULD RESULT.

- (3) Install rivets (36, 40, 52, 54, 60, 62, 80, 82, 88, 90, 108, 112, 124, 128, 138, 142, 152, 156) squeeze method only.
- (4) Solvent clean and prime countersink and counterbore surfaces of holes for bolts (172A) using BMS 10-11, type 1 primer. Allow primer to dry and apply MIL-C-11796, class 3 corrosion preventive compound to all areas of hole and immediately install bolts.

71-11-32

01.101

ASSEMBLY
 Page 713
 Jul 01/03

- (5) Use shims (294) if and as required. Delaminate shims as required to effect 0.010 inch maximum pull-down between the following. Maximum shim thickness 0.063 inch. Apply BMS 10-11, type 1 primer to shims and install wet or dry.
 - (a) Shim (294) between upper bifurcation installation (290, 292) and ring assembly (666, 668, 852, 854).
 - (b) Install bolt (286) and collar (288).
- (6) Apply parting agent to surfaces of torque box installation (498, 500) and ring assembly (666, 668) mating with cascade assemblies (32, 34, 48, 50, 51, 72, 74, 75, 76, 78, 79, 106, 120, 122, 136, 148, 150).
- (7) Locate cascade assemblies on fan duct cowl assembly in positions indicated in Fig. 707.
- (8) Install bolts (20, 22, 28, 30) with wet BMS 5-63 sealant under heads and over nutplates on cascade assemblies.
- (9) Tighten bolts (20, 22, 28, 30) to 72-88 lb-in.
- (10) Apply removable faying surface seal of BMS 5-63 sealant between support assembly (90, 140, 140A, 145, 145A, IPL Fig. 7) and upper bifurcation installation (290, 292). Apply parting agent to mating surface of bifurcation installation.
- (11) Just prior to installation of system installation (402, 402A) apply an intermediate pressure faying surface seal of BMS 5-63 sealant between flange of system installation and wall assembly (824, 826). Also apply BMS 5-63 sealant between bracket assembly (486, 488) and wall assembly.
- (12) Electrically bond screw (404), bolt (480, 760, 762) and jumper (412) per 20-11-03.
- (13) Pot and bond gaskets (780, 782) using type 68 adhesive per 20-50-12, flush with outer skin.
- (14) Apply faying surface seal of BMS 5-63 sealant between duct assembly (818, 820) and wall assembly (824, 826). Center duct assembly in cutout to within 0.01 inch.
- (15) Install shims (764, 766) at bolt locations as required to meet flushness requirements of Fig. 708.
- (16) Fill gaps 0.05 inch or greater between wall assembly (824, 826) and duct assembly (818, 820) using BMS 5-63 sealant.

71-11-32

ASSEMBLY

01.1

Page 714

Jul 01/03

**BOEING**
COMPONENT
MAINTENANCE MANUAL

- (17) Adjust thickness of shim (740) to meet aerodynamic smoothness requirements per Fig. 708.
- (18) Bond end joints of seals (10 thru 80A, IPL Fig. 7) using type 60 adhesive per 20-50-12.
- (19) Seal open areas and fill gaps in seal installation (394, 394A, 396, 398) using BMS 5-63C, class B-4.

G. Assembly of Fan Duct Cowl Assembly IPL Fig. 10).

- (1) Apply BMS 10-11, type 1 primer to nutplates (42, 70, 88, 112, 136, 158, 184) omitting primer from threads, and assemble wet.
- (2) Apply BMS 10-11, type 1 primer to tags (46, 74, 102, 126, 148, 170, 196) and assemble wet.

CAUTION: DO NOT DRIVE INSTALL RIVETS OR STRUCTURAL DAMAGE COULD RESULT.

- (3) Install rivets (32, 44, 60, 72, 86, 90, 100, 110, 114, 124, 134, 146, 156, 168, 182, 194) squeeze method only.
- (4) Solvent clean and prime countersink and counterbore surfaces of holes for bolts (414) using BMS 10-11, type 1 primer. Allow primer to dry and apply MIL-C-11796, class 3 corrosion preventive compound to all areas of hole and immediately install bolts.
- (5) Use shims (532) if and as required. Delaminate shims as required to effect 0.010 in. maximum pull-down between the following. Maximum shim thickness 0.063 inch. Apply BMS 10-11, type 1 primer to shims and install wet or dry.
- (6) Shim (532) between upper bifurcation installation (534, 536) and ring assembly (806, 808, 866, 868, 870, 872).
- (7) Apply parting agent to surfaces of torque box installations (300, 302) and ring assembly (806, 808, 866, 868, 870, 872) mating with cascade assemblies (28, 30, 52, 54, 56, 58, 78, 80, 82, 84, 106, 108, 130, 132, 152, 154, 174, 176, 178, 180).
- (8) Locate cascade assemblies on fan duct cowl assembly in positions indicated in Fig. 707.
- (9) Install bolts (384, 386, 388, 390, 398, 400) with wet BMS 5-63 sealant under heads and over nutplates on cascade assemblies.
- (10) Tighten bolts (384, 386, 388, 390, 398, 400) to 72-88 lb-in.

71-11-32ASSEMBLY
Page 715
Jul 01/03

01.101

- (11) Apply removable faying surface seal of BMS 5-63 sealant between support assembly (90, 140, 140A, 145, 145A, IPL Fig. 7) and upper bifurcation installation (534, 536). Apply parting agent to mating surface of bifurcation installation.
 - (12) Just prior to installation of system installation (204) apply an intermediate pressure faying surface seal of BMS 5-63 sealant between flange of system installation and wall assembly (338, 340). Also apply BMS 5-63 sealant between bracket assembly (288, 290) and wall assembly.
 - (13) Electrically bond screw (206), bolt (282, 306, 954) and jumper (214) per 20-11-03.
 - (14) Pot and bond gaskets (316, 964) using type 68 adhesive per 20-50-12, flush with outer skin.
 - (15) Apply faying surface seal of BMS 5-63 sealant between duct assembly (334, 984) and wall assembly (338, 340). Center duct assembly in cutout to within 0.01 in.
 - (16) Install shims (308, 956) at bolt locations as required to meet flushness requirements of Fig. 708.
 - (17) Fill gaps 0.05 in. or greater between wall assembly (338, 340) and duct assembly (334, 984) using BMS 5-63 sealant.
 - (18) Adjust thickness of shim (936) to meet aerodynamic smoothness requirements per Fig. 708.
 - (19) Bond end joints of seals (10 thru 80A, IPL Fig. 7) using type 60 adhesive per 20-50-12.
 - (20) Seal open areas and fill gaps in seal installation (636, 638, 640) using BMS 5-63C, class B-4.
- H. Installation of Seal Installation (IPL Fig.5)
- (1) Squeeze or drive rivet (75) with low force.
 - (2) Cut seal (40) to size and bond in place using type 68 or 60 adhesive per 20-50-12.
 - (3) Bond pad (175) to spacer (170) using type 68 adhesive per 20-50-12. Optional: Use type 60 adhesive per 20-50-12 or RTV 157 adhesive where applicable.
 - (4) Bond plug (100) to seal (110) per step (3).
 - (5) Trim seal (20) and seal assembly (100, 185) as required to match structure.

71-11-32

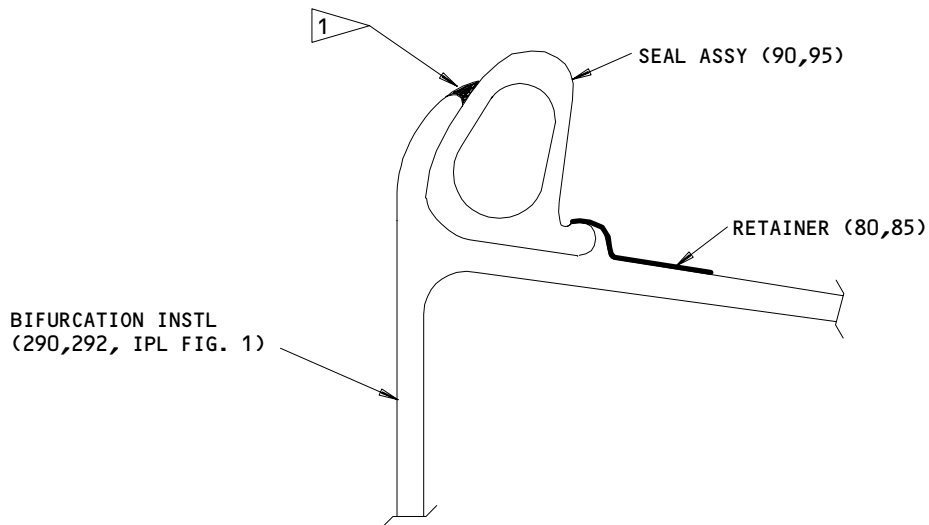
ASSEMBLY
Page 716
Jul 01/03

01.101

- (6) Trim seal assembly (90, 95) to match adjacent seals.
- (7) Bond the following to contacting structure using type 68 or 60 adhesive per 20-50-12: Cover (55). Seals (20, 25, 35, 60, 70), and seal assemblies (90, 95, 165, 180, 185).
- (8) Fillet seal any openings between seal (60) and structure using type 68 or 60 adhesive per 20-50-12.

CAUTION: DO NOT CLOSE OPENING IN SEAL ASSEMBLY (90, 95) WHEN BONDING TO ADJACENT SEAL. VENT FOR BULB SEAL.

- (9) Apply faying surface seal of BMS 5-63 sealant between seal assembly (120, 120A, 125, 125A) and contacting structure.
- (10) Install bolt (130) using wet BMS 5-63 sealant under bolt head and fillet seal collar (135).
- (11) Apply fillet bond using type 68 adhesive per 20-50-12 between seal (65) and seal assembly (120, 120A, 125, 125A). Apply similar fillet bond as shown in Fig. 704.



1 FILLET BOND SEAL ASSEMBLY TO STRUCTURE USING TYPE 68 ADHESIVE PER 20-50-12

ITEM NO. REFER TO IPL FIG. 5

Bonding of Seal
 Figure 704

71-11-32

ASSEMBLY
 Page 717
 Jul 01/03

01.101

- I. Install all fasteners exposed to airflow as follows:
- (1) Hi-Lok fasteners and lockbolt head protrusions are to be:
 - (a) 90% must be flush within +0.005 to -0.003 inch.
 - (b) 10% must be flush within +0.007 to -0.005 inch.
 - (2) All countersunk screws and bolts shall have head protrusions within +0.005 to -0.010 inch.
 - (3) Shear head rivets (BACR15CE) are to be driven as follows:
 - (a) 90% must be flush within +0.005 to -0.000 inch.
 - (b) 10% must be flush within +0.007 to -0.005 inch.
 - (4) All flush aluminum alloy rivets shall be driven with head protrusion within +0.007 to -0.001 inch.
- J. Install all fasteners passing through composite panels with wet BMS 5-63 sealant under heads and fillet seal collars.
- K. Apply Crown-Metro ablative coating as follows:

CAUTION: DO NOT COVER DRAIN HOLE.

- (1) Apply to zone ventilation system installation (402) per Fig. 705.

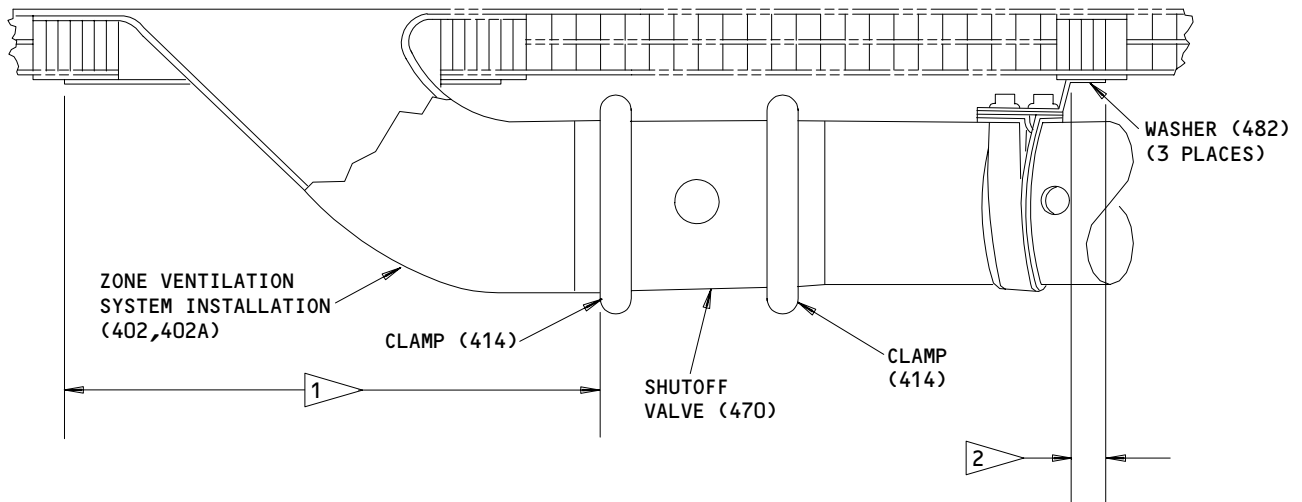
CAUTION: DO NOT COVER DRAIN HOLE.

- (2) Apply to completely cover exterior surface of flange of duct installation (728). One-eighth inch thick overspray on duct permissible.

71-11-32

ASSEMBLY
Page 718
Jul 01/03

01.101



- 1 APPLY CROWN-METRO TO COMPLETELY COVER ZONE VENTILATION SYSTEM INSTALLATION (402) 1/8 INCH THICK
- 2 APPLY CROWN-METRO TO COMPLETELY COVER BRACKET ASSY (486,488) AND WASHERS (482) 0.23-0.27 +0.03 TOPCOAT

ITEM NO. REFER TO IPL FIG. 1

Application of Ablative Coating
 Figure 705

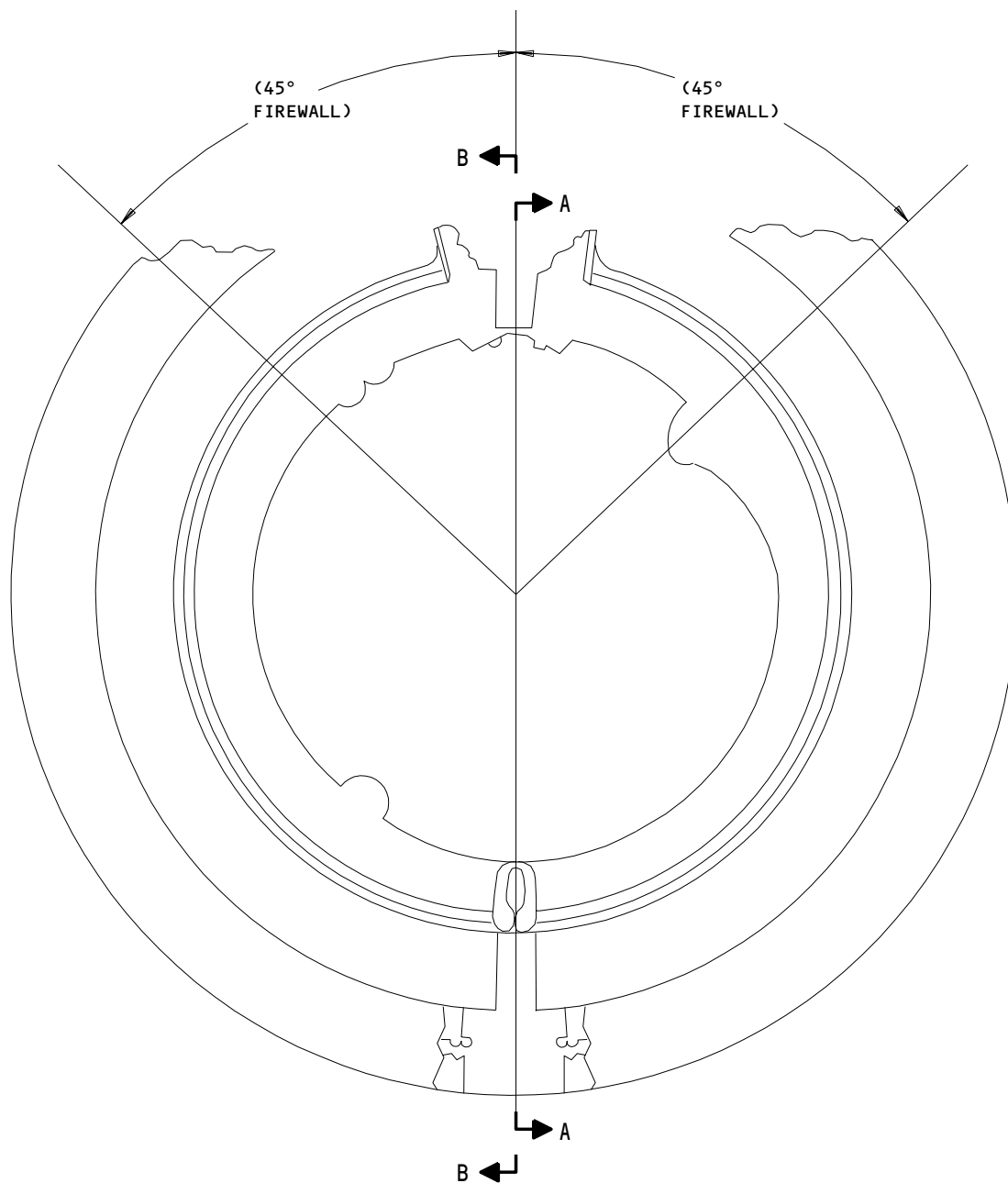
L. Apply Crown-Metro ablative coating to fully assembled Fan Duct Cowl per Fig. 706 and the following:

- (1) Application of Crown-Metro in restricted areas:
 - (a) Components mating within 3/16 inch after application of Crown-Metro may have close mating areas filled with Crown-Metro.
 - (b) Deep narrow pockets may also be filled.
- (2) Application of Crown-Metro in areas of system attachments: Ducts, hangers, clips, etc.
 - (a) In the case of precoated systems overspray attachments to FORM a continuous layer of Crown-Metro.
 - (b) In the case of uncoated systems overspray 1-2 inches beyond honeycomb base structure.
 - (c) The thickness of Crown-Metro shall be the precoated thickness or the typical thickness in the area.
- (3) Application of Crown-Metro on inside corners may have up to 3 times the typical thickness.

71-11-32

01.101

ASSEMBLY
 Page 719
 Jul 01/03



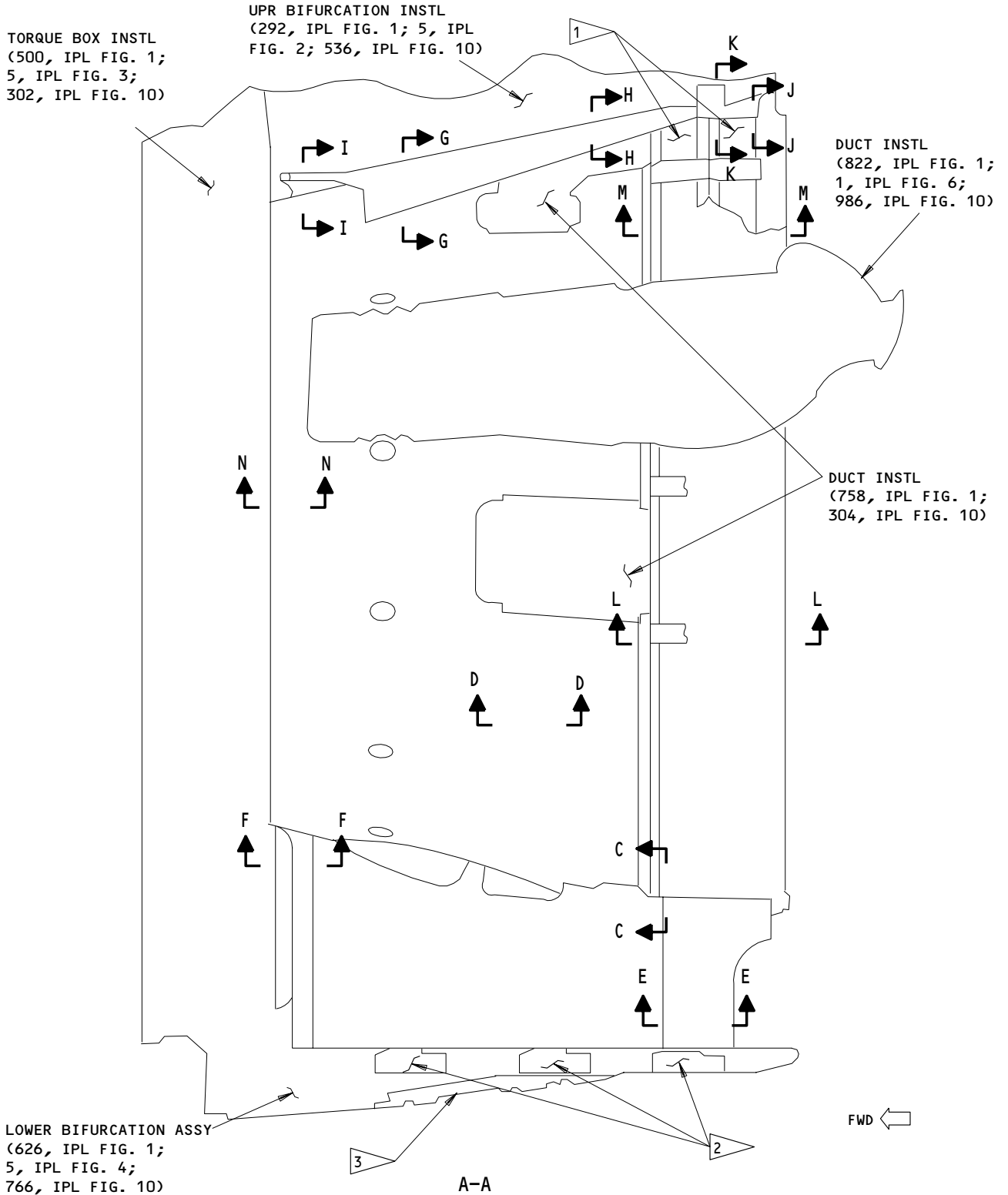
Application of Crown-Metro
Insulating and Ablative Coating
Figure 706 (Sheet 1)

71-11-32

ASSEMBLY
Page 720
Mar 01/95

01.101

209964

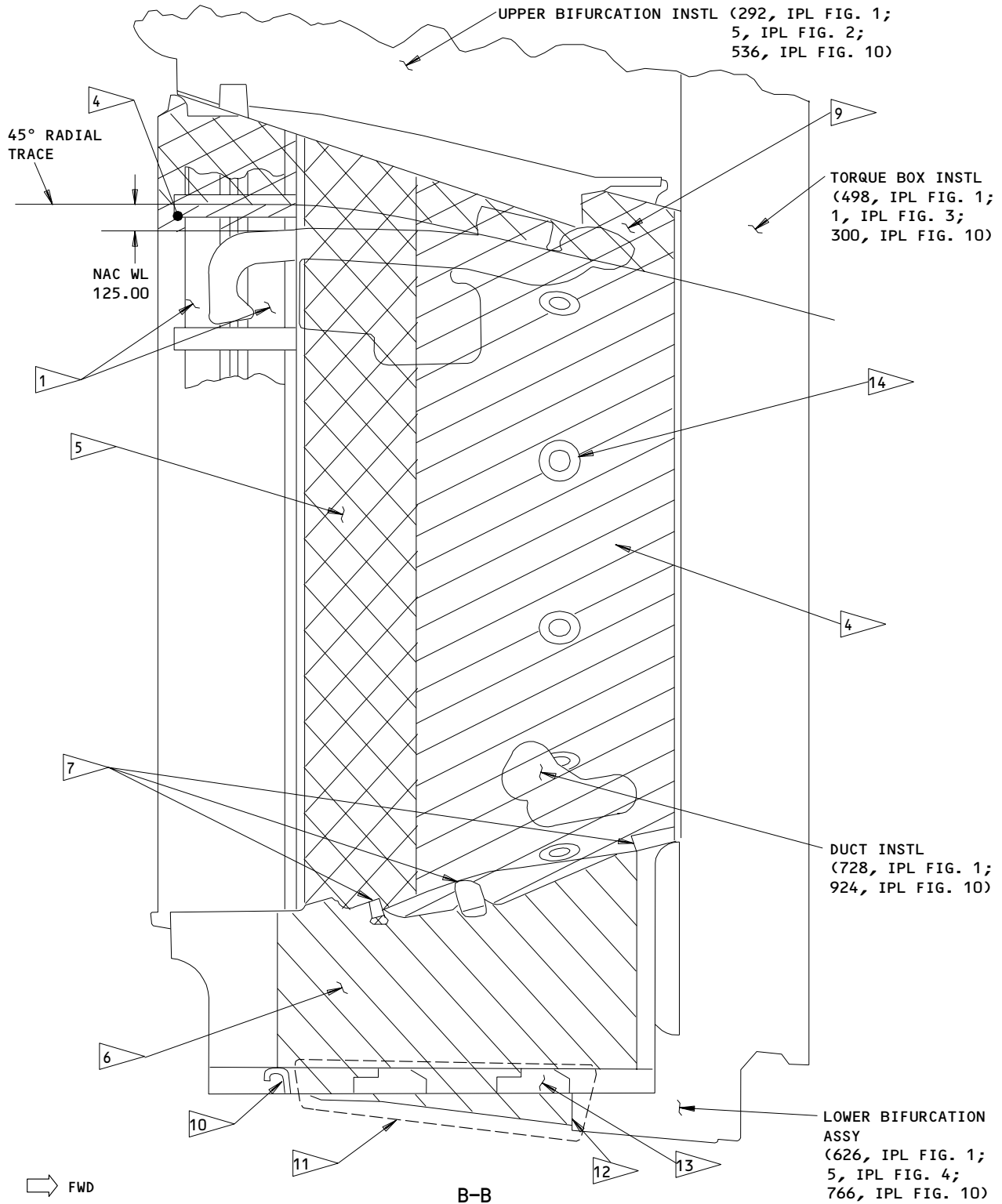


Application of Crown-Metro
Insulating and Ablative Coating
Figure 706 (Sheet 2)

71-11-32

ASSEMBLY
Page 721
Mar 01/95

01.101



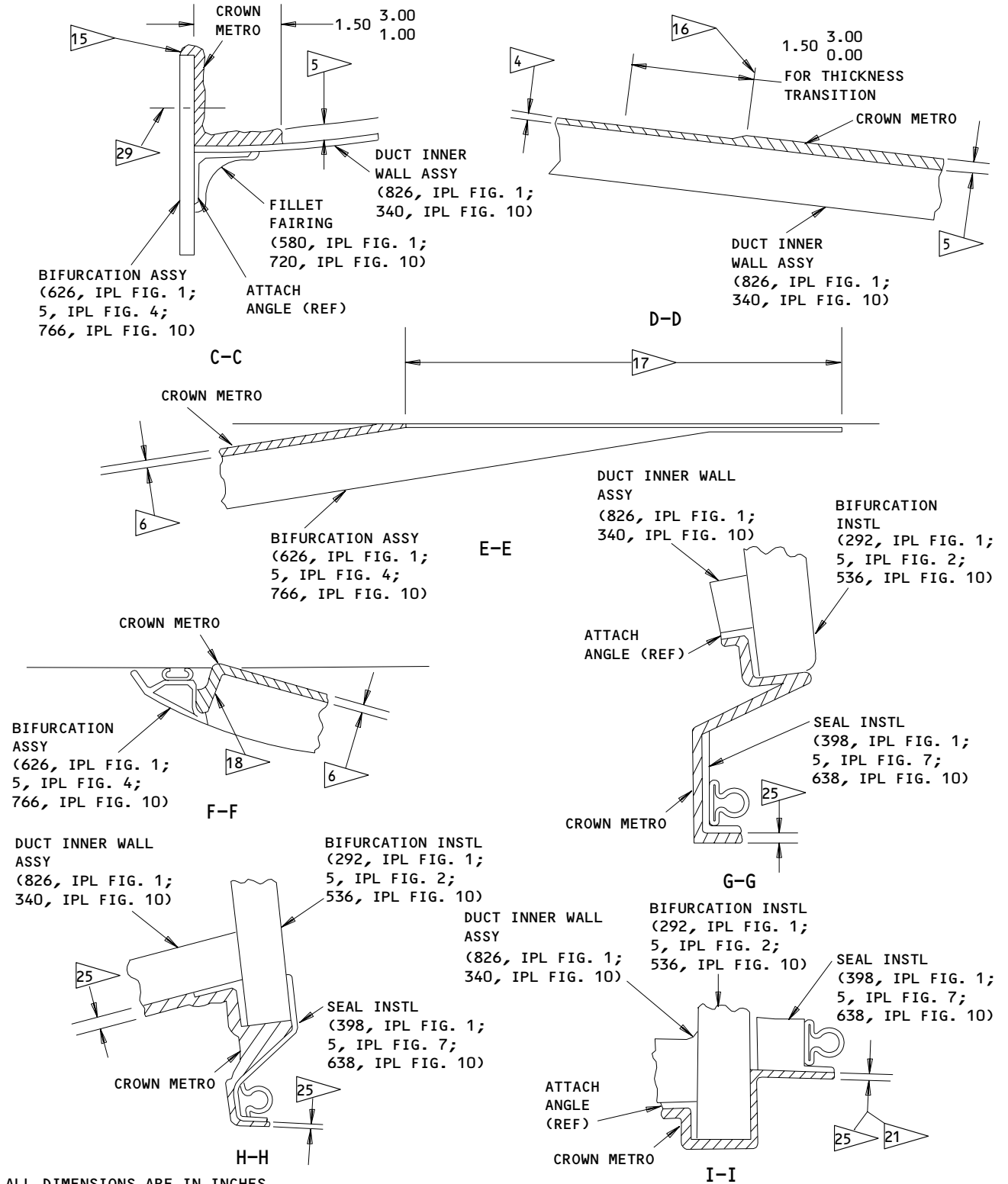
Application of Crown-Metro
 Insulating and Ablative Coating
 Figure 706 (Sheet 3)

71-11-32

ASSEMBLY
 Page 722
 Mar 01/95

01.101

BOEING
COMPONENT
MAINTENANCE MANUAL



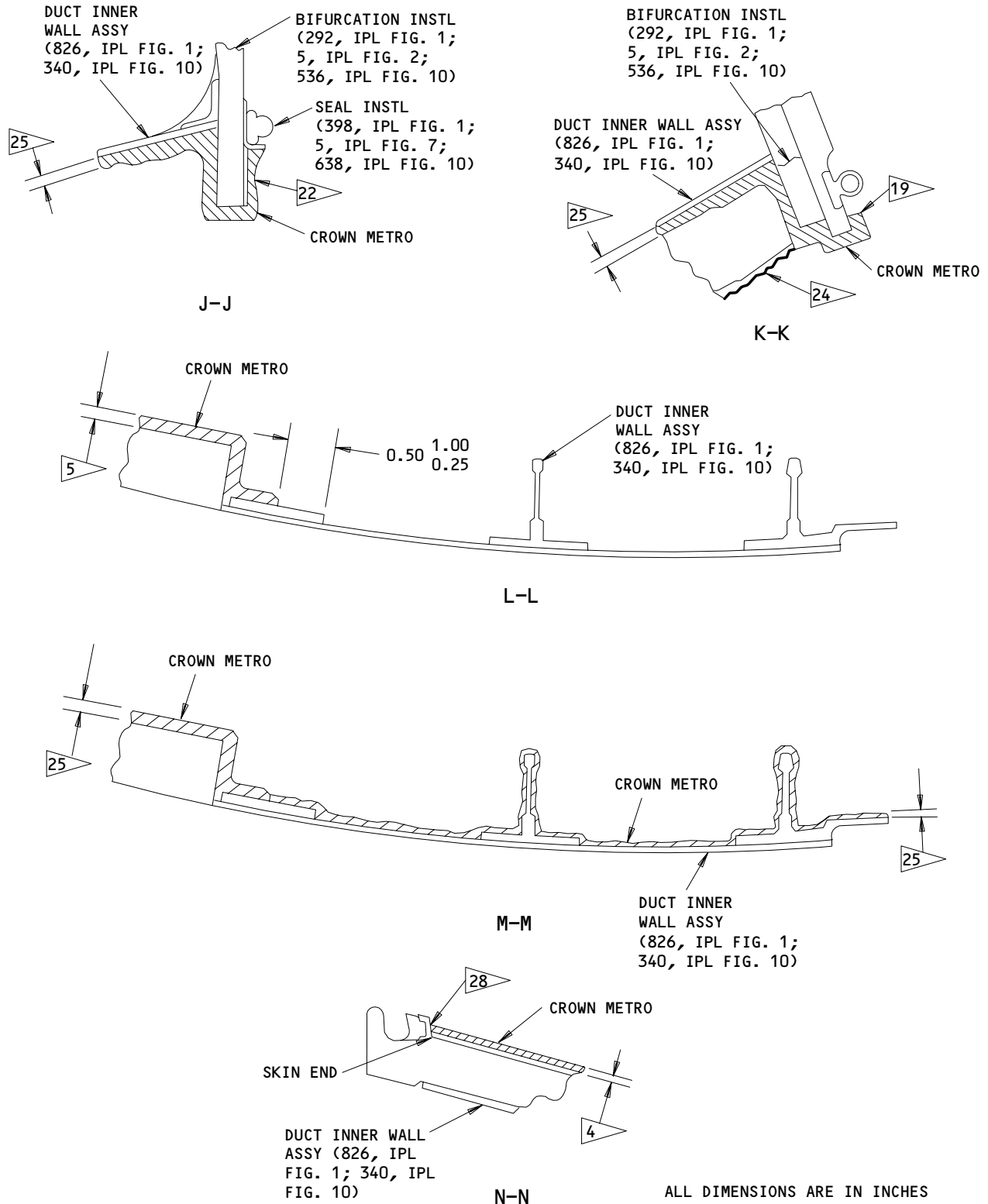
ALL DIMENSIONS ARE IN INCHES

Application of Crown-Metro
 Insulating and Ablative Coating
 Figure 706 (Sheet 4)

71-11-32

ASSEMBLY
 Page 723
 Mar 01/95

01.101



Application of Crown-Metro
 Insulating and Ablative Coating
 Figure 706 (Sheet 5)

71-11-32

ASSEMBLY
 Page 724
 Mar 01/95

01.101


BOEING
 COMPONENT
 MAINTENANCE MANUAL
FLAG NOTES

NOTE: ITEM NUMBERS APPLY TO IPL FIG. 1 UNLESS OTHERWISE STATED.

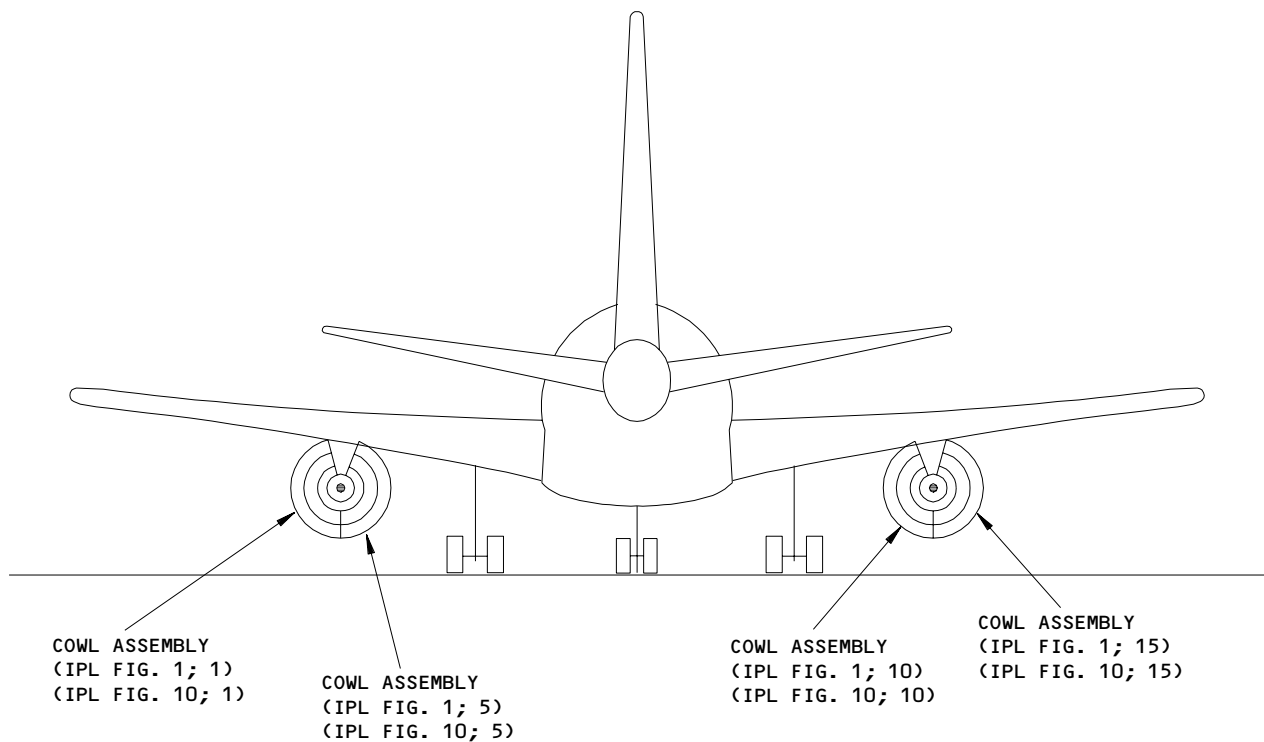
- | | |
|--|--|
| <p>1 STEEL SKIN DO NOT APPLY CROWN METRO</p> <p>2 DO NOT APPLY CROWN METRO TO MATING FACES OF LATCHES (530, IPL FIG. 4) AND SHEAR PIN (355, IPL FIG. 4) MOUNTINGS OR MASK AREA TO MATCH ON OPPOSITE HAND COWL ASSY'S. CROWN METRO WILL NOT BE PRESENT ON LATCH HANDLES AND MECHANISM.</p> <p>3 DO NOT APPLY CROWN METRO TO EXHAUST DOOR ASSY (864, IPL FIG. 4) OF LOWER BIFURCATION ASSY (692) INCLUDING HINGES, EXCEPT APPLY TOPCOAT ONLY TO DOOR HINGE HALVES AND FASTENERS ATTACHED TO THE LOWER BIFURCATION BEAM STRUCTURE</p> <p>4 0.08-0.10 +0.03 TOPCOAT</p> <p>5 0.16-0.20 +0.03 TOPCOAT</p> <p>6 0.11-0.13 +0.03 TOPCOAT</p> <p>7 DO NOT APPLY CROWN METRO TO MATING FACES OF COMPRESSION PADS</p> <p>9 CROWN METRO THIS AREA OF UPPER 45° FIRE-PROOF BARRIER INCLUDING THOSE OF CLIPS AND INTERCOSTALS 0.23-0.27 +0.03 TOPCOAT</p> <p>10 APPLY CROWN METRO TO FORWARD SURFACES OF LATCH (360, IPL FIG. 4) AND SHEAR PIN (325, IPL FIG. 4) MOUNTING. DO NOT APPLY AFT OF MOUNTING.</p> <p>11 APPLY CROWN METRO TO ALL EXPOSED SURFACES IN AREA INDICATED. DO NOT PLUG OR OBSTRUCT DRAIN PATHS.</p> <p>12 APPLY CROWN METRO TO AFT SIDE OF INTERCOSTAL. DO NOT APPLY FWD OF INTERCOSTAL.</p> <p>13 DO NOT APPLY CROWN METRO TO AREA MATCHING THE MATING FACES OF THE LATCH (530, IPL FIG. 4) AND SHEAR PIN (355, IPL FIG. 4) MOUNTINGS.</p> <p>14 MASK OFF SUITABLE AREA FOR INSTALLATION OF LINK FITTING ASSEMBLIES (315T3102, 315T3103) REFERENCE CMM 78-31-11 FAN DUCT COWL AND THRUST REVERSER ASSEMBLY (6 PLACES)</p> | <p>15 MAINTAIN THICKNESS ALONG TOP OF PANEL AFT OF NAC STA 166.5 TO END OF PANEL AS SHOWN</p> <p>16 APPROXIMATELY 33.5 INCHES FROM FORWARD END OF COWL ASSEMBLY</p> <p>17 DO NOT APPLY CROWN METRO TO FLAT AREA</p> <p>18 END CROWN METRO BETWEEN SEAL RETAINER AND HONEYCOMB CORE</p> <p>19 MASK OFF TO PROVIDE SPACE FOR SEAL TO DEPRESS</p> <p>20 DO NOT APPLY CROWN METRO BEYOND THE END OF THE PROTRUDING FLANGE BELOW SEAL (10, IPL FIG. 7)</p> <p>21 DO NOT APPLY CROWN METRO BEYOND THE END OF THE PROTRUDING FLANGE BELOW SEAL</p> <p>22 AFT OF NAC STA 166.50 THE 0.23-0.27 +0.03 TOPCOAT THICKNESS CONTINUES AFT OVER BOTTOM PANEL AS SHOWN AND 0.23-0.27 ON SEAL SUPPORT</p> <p>24 APPLY CROWN METRO TO ALL EXPOSED SURFACES OF TIE CLIPS, FRAMES, AND INTERCOSTALS IN THIS AREA TO THICKNESS 0.23-0.27 ON SEAL SUPPORT</p> <p>25 0.23-0.27 +0.03 TOPCOAT</p> <p>28 END CROWN METRO BETWEEN AFT SIDE OF INTEGRAL SEAL RETAINER AND FWD OF SKINS</p> <p>29 MASK OFF APPROX 0.62 DIA AREA CENTERED AT MOUNTING HOLES (2) FOR COMPRESSION PAD FASTENERS</p> |
|--|--|

Application of Crown-Metro
 Insulating and Ablative Coating
 Figure 706 (Sheet 6)

71-11-32

ASSEMBLY
 Page 725
 Mar 01/95

01.101



REFERENCE VIEW ONLY TO SHOW AIRCRAFT POSITION

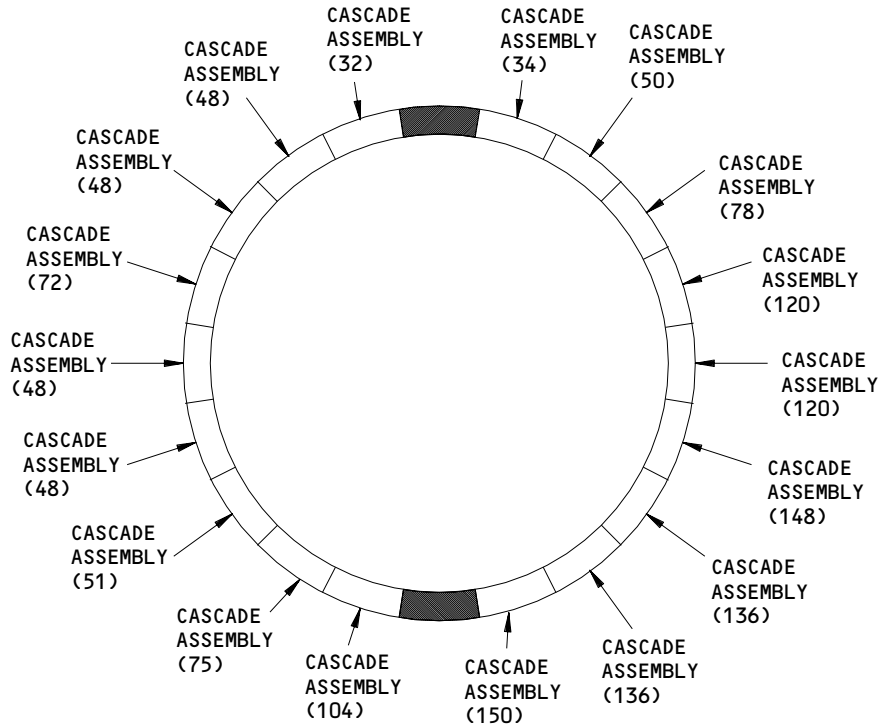
Cascade Arrangement
Figure 707 (Sheet 1)

71-11-32

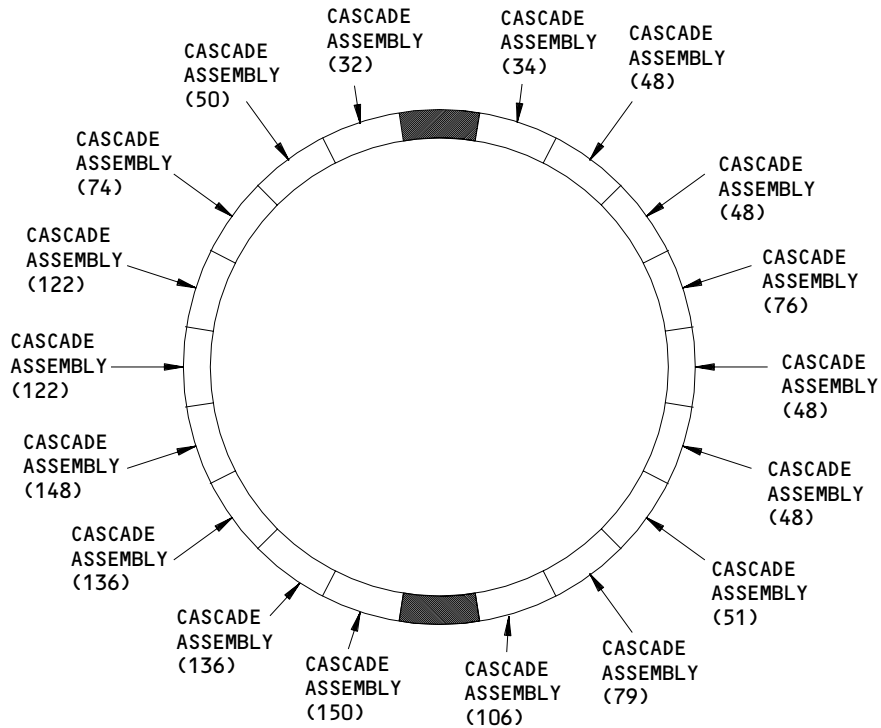
ASSEMBLY
Page 726
Mar 01/95

01.1

BOEING COMPONENT MAINTENANCE MANUAL



LEFT SIDE FAN DUCT COWL
(REAR VIEW)



RIGHT SIDE FAN DUCT COWL
(REAR VIEW)

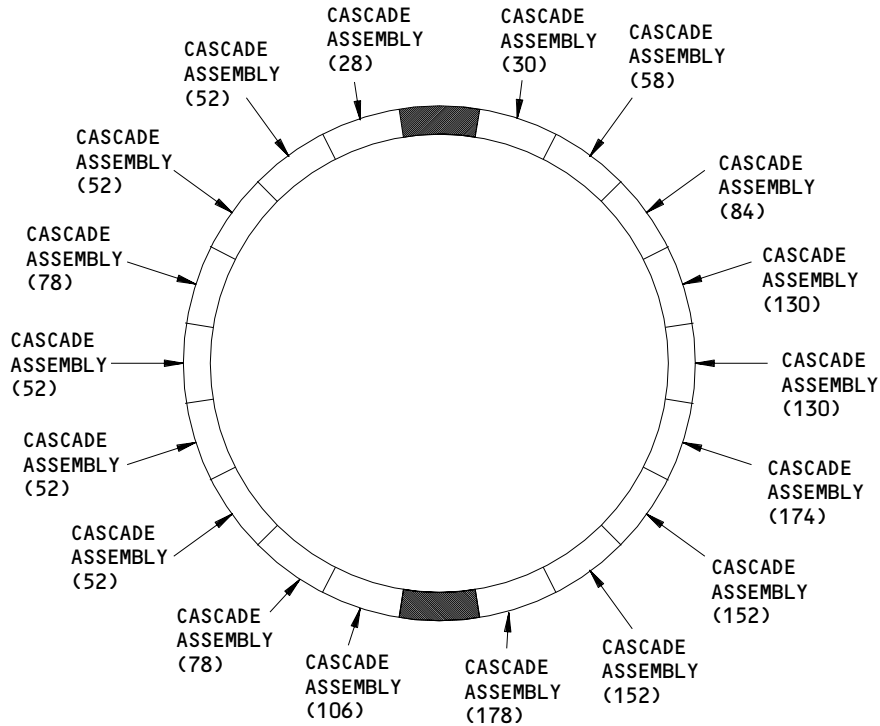
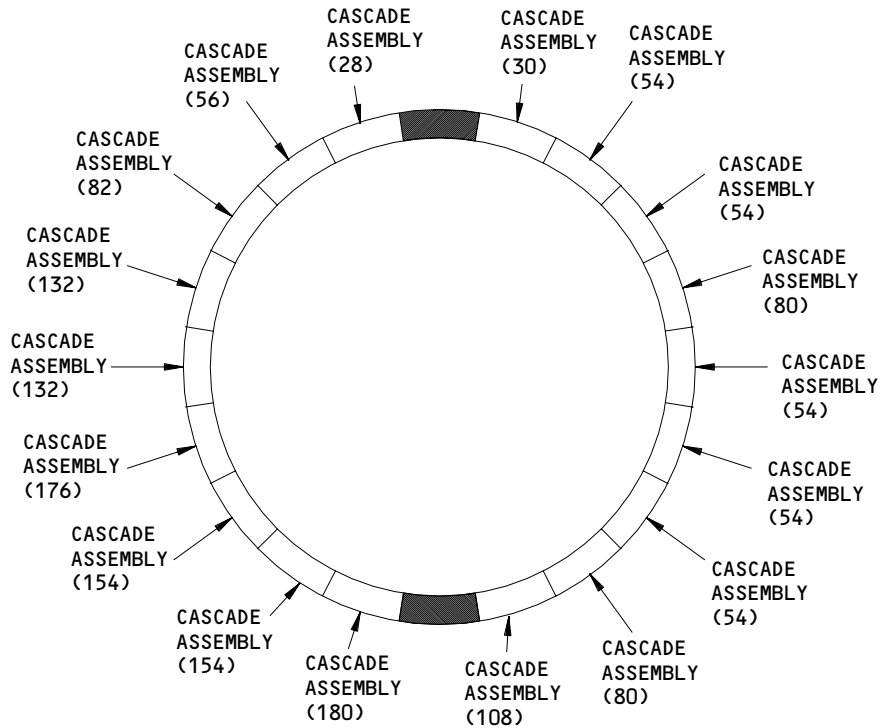
Cascade Arrangement
Figure 707 (Sheet 2)

ITEM NUMBERS REFER TO IPL FIG. 1

71-11-32

ASSEMBLY
Page 727
Mar 01/95

01.1

**COMPONENT
MAINTENANCE MANUAL**

**LEFT SIDE FAN DUCT COWL
(REAR VIEW)**

**RIGHT SIDE FAN DUCT COWL
(REAR VIEW)**

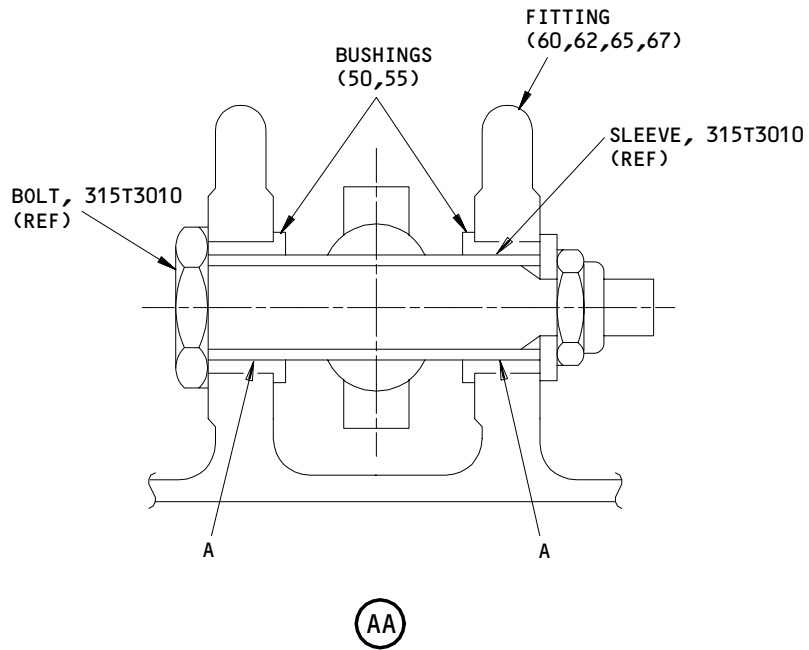
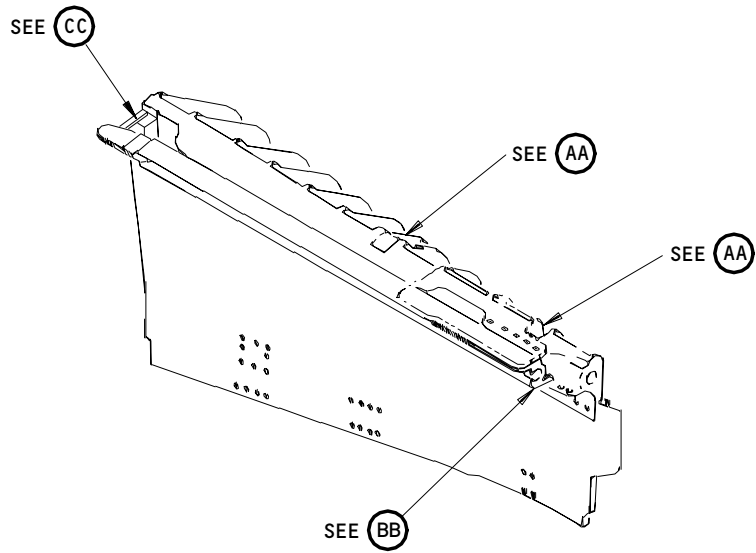
ITEM NUMBERS REFER TO IPL FIG. 10

**Cascade Arrangement
Figure 707 (Sheet 3)**
71-11-32

 ASSEMBLY
Page 728
Mar 01/95

01.1

BOEING
COMPONENT
MAINTENANCE MANUAL
FITS AND CLEARANCES

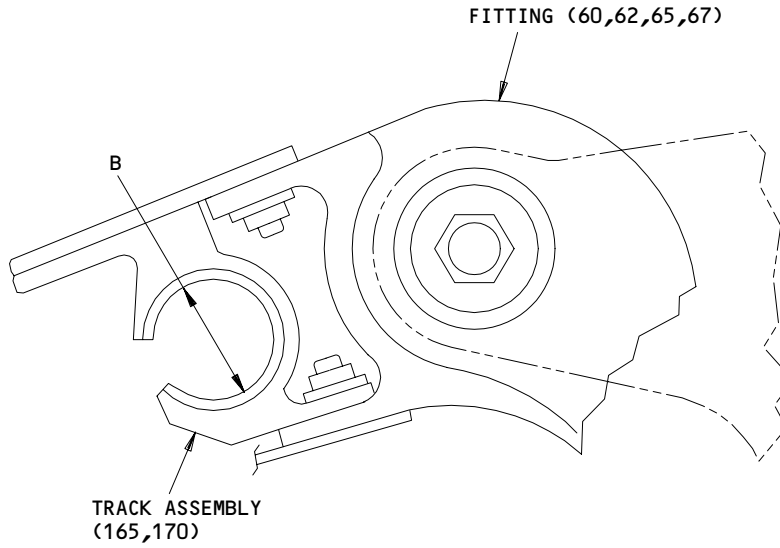


ITEM NUMBERS REFER TO IPL FIG. 2

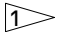
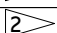
Fits and Clearances
Figure 801 (Sheet 1)

71-11-32

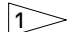
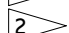
FITS AND CLEARANCES
01.1 Page 801
Dec 01/95



(BB)

REF LETTER	REF IPL	DESIGN DIMENSION*				SERVICE WEAR LIMIT*		
	FIG. 2, MATING ITEM NO.	DIMENSION		ASSEMBLY CLEARANCE		DIMENSION		MAXIMUM CLEARANCE
		MIN	MAX	MIN	MAX	MIN	MAX	
A	ID 50,55	0.7495	0.7505	0.0005	0.0020	0.7470	0.7525	0.0040
	OD 	0.7485	0.7490					
B	ID 	1.120	1.130				1.140	

* ALL DIMENSIONS ARE IN INCHES

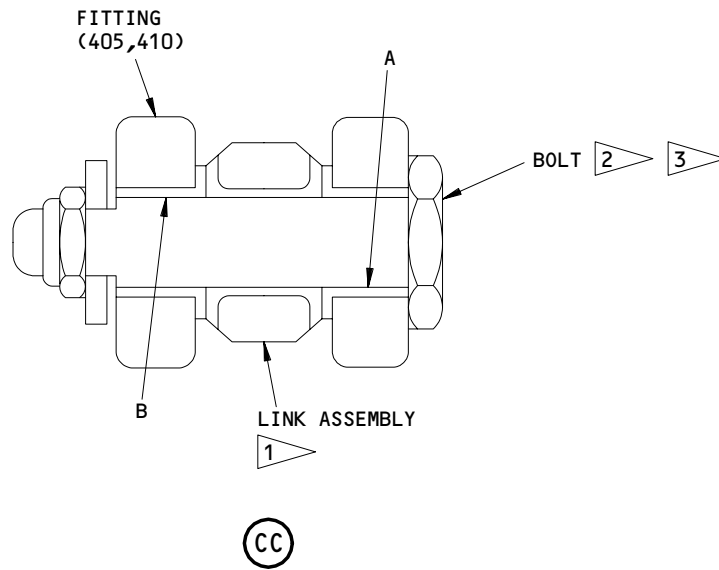
-  315T3010, SLEEVE (REF)
-  ITEM 215,220 REPLACE LINER INSIDE OF TRACK

ITEM NUMBERS REFER TO IPL FIG. 2

Fits and Clearances
 Figure 801 (Sheet 2)

71-11-32

FITS AND CLEARANCES
 01.1 Page 802
 Dec 01/95



REF LETTER	REF IPL FIG. 3, MATING ITEM NO.	DESIGN DIMENSION*				SERVICE WEAR LIMIT*		
		DIMENSION		ASSEMBLY CLEARANCE		DIMENSION		MAXIMUM CLEARANCE
		MIN	MAX	MIN	MAX	MIN	MAX	
A	ID 1	0.6242	0.6247	0.0002	0.0012	0.6219	0.6263	0.0043
	OD 2	0.6235	0.6240					
A	ID 1	0.6242	0.6247	0.0012	0.0027	0.6204	0.6263	0.0043
	OD 3	0.6220	0.6230					
B	ID 405,410	0.6240	0.6247	0.0000	0.0012	0.6219	0.6263	0.0043
	OD 2	0.6235	0.6240					
B	ID 405,410	0.6240	0.6247	0.0010	0.0027	0.6204	0.6263	0.0043
	OD 3	0.6220	0.6230					

* ALL DIMENSIONS ARE IN INCHES

1 LINK ASSEMBLY, P/N 315T3013-1 (REFER TO CMM 78-31-14 FOR REPAIR)

ITEM NUMBERS REFER TO IPL FIG. 3

2 BOLT, P/N 315T3010-29

3 BOLT, P/N 315T3010-35

Fits and Clearances
 Figure 801 (Sheet 3)

71-11-32

FITS AND CLEARANCES
 01.1 Page 803
 Dec 01/95

REF IPL		NAME	TORQUE*	
FIG. NO.	ITEM NO.		POUND-INCHES	POUND-FEET
1	20,22,28,30	BOLT	72-88	
10	384,386,388, 390,398,400	BOLT	72-88	

* REFER TO SOPM 20-50-01 FOR TORQUE VALUES OF STANDARD FASTENERS.

Fits and Clearances
 Figure 802

71-11-32

FITS AND CLEARANCES
 01.1 Page 804
 Dec 01/95

ILLUSTRATED PARTS LIST

1. This section lists and illustrates replaceable or repairable component parts. The Illustrated Parts Catalog contains a complete explanation of the Boeing part numbering system.

2. Indentures show parts relationships as follows:

Assembly

Detail Parts for Assembly

Subassembly

Attaching Parts for Subassembly

Detail Parts for Subassembly

Detail Installation Parts (Included only if installation parts may be returned to shop as part of assembly)

3. One use code letter (A, B, C, etc.) is assigned in the EFF CODE column for each variation of top assembly. All listed parts are used on all top assemblies except when limitations are shown by use code letter opposite individual part entries.

4. Letter suffixes (alpha-variants) are added to item numbers for optional parts, Service Bulletin modification parts, configuration differences (Except left- and right-hand parts), product improvement parts, and parts added between two sequential item numbers. The alpha-variant is not shown on illustrations when appearance and location of all variants of the part is the same.

5. Service Bulletin modifications are shown by the notations PRE SB XXXX and POST SB XXXX.

A. When a new top assembly part number is assigned by Service Bulletin, the notations appear at the top assembly level only. The configuration differences at detail part level are then shown by use code letter.

B. When the top assembly part number is not changed by the Service Bulletin, the notations appear at the detail part level.

6. Parts Interchangeability

Optional
(OPT)

The parts are optional to and interchangeable with other parts having the same item number.

Supersedes, Superseded By
(SUPSDS, SUPSD BY)

The part supersedes and is not interchangeable with the original part.

Replaces, Replaced By
(REPLS, REPLD BY)

The part replaces and is interchangeable with, or is an alternate to, the original part.

71-11-32

ILLUSTRATED PARTS LIST

01 Page 1001

Apr 10/86

VENDORS

OPTK6 SPS TECHNOLOGIES INC AEROSPACE PRODUCTS DIV
5195 W 4700 SPO BOX 18459
KEARNS, UTAH 84118

00624 EATON AEROQUIP INC ENGINEERED SYSTEMS DIV
300 S EAST AVE
JACKSON, MICHIGAN 49203-1972
FORMERLY AEROQUIP ELBEE PLANT V99879 OR WESTERN PLANT
V70128; FORMERLY AEROQUIP AEROSP DIV JACKSON PLANT;
FORMERLY V11328 AEROQUIP LINAIR DIV

01673 AIRDROME PARTS CO
3251 AIRPORT WAY PO BOX 1867
LONG BEACH, CALIFORNIA 90801

03925 PARKER-HANNIFIN CORP STRATOFLEX AEROSPACE/MILITARY CONN DIV
17671 ARMSTRONG AVENUE PO BOX 16819
IRVINE, CALIFORNIA 92713-6819
FORMERLY IN HAWTHORNE AND SANTA ANA, CALIFORNIA
FORMERLY STRATOFLEX INCORPORATED

06710 LAMSON AND SESSIONS CO THE VALLEY-TODECO
12975 BRADLEY AVENUE
SYLMAR, CALIFORNIA 91342-3830
FORMERLY VALLEY BOLT CORP VB0097 IN NORTH HOLLYWOOD, CA

06725 AIR INDUSTRIES CORPORATION
12570 KNOTT STREET
GARDEN GROVE, CALIFORNIA 92641-3932
FORMERLY AIR INDUSTRIES OF CALIF IN GARDENA, CALIF.

06851 RESISTOFLEX CORP WESTERN DIV SEE RESISTOFLEX DIV OF
UNIDYNAMICS CORP V50599

06950 SCREWCORP VSI AEROSPACE PRODUCTS DIV FAIRCHILD IND DIV
13001 EAST TEMPLE AVENUE PO BOX 730
CITY OF INDUSTRY, CALIFORNIA 91746-1417
FORMERLY VB0096 AND VSI CORP SCREWCORP DIV
FORMERLY IN CULVER CITY, CALIFORNIA

07073 BEST DEVICES CO INC
10921 BRIGGS ROAD
CLEVELAND, OHIO 44111-5333

07096 BURKE RUBBER CO PUROSIL DIV
1810 SOUTH SHAMROCK AVENUE PO BOX 5023
MONROVIA, CALIFORNIA 91016-4251
FORMERLY HADBAR DIV OF PUROSIL INC

71-11-32

ILLUSTRATED PARTS LIST
01.1 Page 1002
Jul 01/03


BOEING
 COMPONENT
 MAINTENANCE MANUAL
VENDORS

08199 SIERRACIN-HARRISON
 3020 EMPIRE AVENUE
 BURBANK, CALIFORNIA 91504-3109
 FORMERLY TECHNICAL IND INC OR HARRISON MFG CO DIV AXIAL CORP

08524 DEUTSCH FASTENER CORP SEE CODE V97928

11328 AEROQUIP SEE EATON AEROQUIP V00624

11815 CHERRY AEROSPACE FASTENERS DIV OF TEXTRON
 1224 EAST WARNER AVENUE PO BOX 2157
 SANTA ANA, CALIFORNIA 92707-0157
 FORMERLY IN LOS ANGELES, CALIF, FORMERLY CHERRY FASTENERS
 TOWNSEND DIV OF TEXTRON INC V71087

11960 BURKE IND HASKON DIV
 336 WEIR ST PO BOX 1091
 TAUNTON, MASSACHUSETTS 02780
 FORMERLY HERCULES INC AND HAVEG IND; FORMERLY HASKON CORP

12157 RESISTOFLEX CORP SOUTHWESTERN DIV
 DALLAS, TEXAS 75207
 BUSINESS DISCONTINUED

14242 VOSS INDUSTRIES INC
 2168 WEST 25TH STREET
 CLEVELAND, OHIO 44113-4115

14397 FABER ENTERPRISES, INCORPORATED
 6606 VARIEL AVE
 CANOGA PARK, CALIFORNIA 91303-2808

14798 DEUTSCH CO METAL COMPONENTS DIV
 14800 SOUTH FIGUEROA STREET
 GARDENA, CALIFORNIA 90248-1719
 FORMERLY WEATHERHEAD V79470 FOR AEROSPACE PRODUCTS

15653 FAIRCHILD FASTENERS KAYNAR PRODUCTS DIV
 800 S STATE COLLEGE BLVD
 FULLERTON, CALIFORNIA 92831-3001
 FORMERLY VK6405 MICRODOT AEROSP LTD; FORMERLY KAYNAR TECH
 KAYNAR DIV

15805 FURON A E C
 3711 SOUTH HUDSON STREET
 SEATTLE, WASHINGTON 98118-1919
 FORMERLY ASSOC IND V29762, FABRICATORS INC DIV OF
 FLUOROCARBON CO AND FLUOROCARBON CO SEATTLE DIV

71-11-32

ILLUSTRATED PARTS LIST

01.1 Page 1003

Jul 01/03

VENDORS

16632 FLEXFAB, INCORPORATED
1843 GUN LAKE ROAD
HASTINGS, MICHIGAN 49058-9275

17446 HUCK INTL INC AEROSPACE FASTENER DIV
900 WATSON CENTER ROAD
CARSON, CALIFORNIA 90745-4201
FORMERLY V32134 REXNORD INC; FORMERLY V97928 HUCK INTL

18076 UMPCO, INCORPORATED
7100 LAMPSON AVENUE PO BOX 5158
GARDEN GROVE, CALIFORNIA 92645
FORMERLY IN CITY OF INDUSTRY, CALIFORNIA

22175 J AND M PRODUCTS INC.
2435 NORTH NAOMI
BURBANK, CALIFORNIA 91504-3425

27238 BRISTOL INDUSTRIES
630 EAST LAMBERT ROAD PO BOX 630
BREA, CALIFORNIA 92621-4119

29666 HUCK MANUFACTURING CO SUB OF FEDERAL-MOGUL CORP
6 THOMAS
IRVINE, CALIFORNIA 92714
FORMERLY HUCK MFG CO VB0016 IN DETROIT, MICHIGAN

30974 AEROFIT PRODUCTS INC
8531 WHITAKER STREET
BUENA PARK, CALIFORNIA 90621-3129

5M902 FAIRCHILD IND INC FAIRCHILD AEROSPACE FASTENER DIV
3016 W LOMITA BLVD
TORRANCE, CALIFORNIA 90505-5103
FMLY IN REDONDO BEACH, CALIF

5T400 GRIMES AEROSPACE CO
550 STATE ROUTE 55
URBANA, OHIO 43078-9482

50599 CRANE RESISTOFLEX COMPANY
2575 WEST 5TH STREET
JACKSONVILLE, FLORIDA 22205
FORMERLY RESISTOFLEX DIV OF UNIDYNAMICS

50808 UNITED SUPPLY CO INC
3676 S BROADWAY PLACE
LOS ANGELES, CALIFORNIA 90007-4432

71-11-32

ILLUSTRATED PARTS LIST
01.1 Page 1004
Jul 01/03


BOEING
 COMPONENT
 MAINTENANCE MANUAL
VENDORS

50948 PARKER-HANNIFIN CORP HUNTSVILLE AIRCRAFT FACILITY
 9400 SOUTH MEMORIAL PARKWAY
 HUNTSVILLE, ALABAMA 35802
 FORMERLY PARKER-HANNIFIN CORP TUBE FITTINGS DIV

52828 REPUBLIC FASTENER MFG CORP
 1300 RANCHO CONEJO BLVD
 NEWBURY PARK, CALIFORNIA 91320-1405
 FORMERLY IN SYLMAR, CALIFORNIA

53551 ALLFAST FASTENING SYSTEMS INC
 15200 EAST DON JULIAN ROAD PO BOX 3166
 CITY OF INDUSTRY, CALIFORNIA 91745-1001
 FORMERLY V0736B
 FORMERLY ALLFAST INC V5K545

56878 SPS TECHNOLOGIES INC AEROSPACE AND INDUSTRIAL PRODUCTS DIV
 HIGHLAND AVENUE
 JENKINTOWN, PENNSYLVANIA 19046
 FORMERLY STANDARD PRESSED STEEL

57268 RAINER RUBBER CO
 15660 NELSON PL SO
 SEATTLE, WASHINGTON 98188

60516 WEST COAST AEROSPACE INC
 812 MIRAFLORES STREET
 SAN PEDRO, CALIFORNIA 90731-1439

60980 MEGGITT-OREGON INC DBA MEGGITT SILICONE PROD DIV MSP
 2010 LAFAYETTE AVE P.O. BOX 887
 MCMINNVILLE, OREGON 97128
 FORMERLY ELASTOMERIC SILICON PRODUCTS

61498 SEE CODE V14798

62554 SIMMONDS MECAERO FASTENERS INC
 1734 SEQUOIA AVENUE
 ORANGE, CALIFORNIA 92668

71087 BOOTS ACFT NUT DIV TOWNSEND CO SEE TEXTRON INC CHERRY
 FASTENER TOWNSEND DIV V11815

72285 EXACTO IND INC SEE V83930

71-11-32

 ILLUSTRATED PARTS LIST
 01.1 Page 1005
 Jul 01/03

VENDORS

72962 HARVARD INDUSTRIES INC
3 WERNER WAY SUITE 210
LEBANON, NEW JERSEY 08833
FORMERLY AMERACE CORP ESNA DIV
FORMERLY ELASTIC STOP NUT IN UNION, NJ

73197 HI-SHEAR TECHNOLOGY CORP
2600 SKYPARK DRIVE
TORRANCE, CALIFORNIA 90509

74687 HUNTINGTON RUBBER CO DIV NEW IDRIA
SEE ELASTOMERIC SILICONE V0829B

75345 KIRKHILL RUBBER CO
300 EAST CYPRESS STREET
BREA, CALIFORNIA 92621-4007
FORMERLY L.A. STANDARD RUBBER CO V84914

78570 TITFLEX CORP SUB OF BUNDY CORP
603 HENDEE STREET PO BOX 90054
SPRINGFIELD, MASSACHUSETTS 01139

8W928 AEROQUIP CORP AEROSPACE DIV TOCCOA PLANT
MEADOWBROOK INDUSTRIAL PK PO BOX 819
TOCCOA, GEORGIA 30577-0819

80539 SPS TECHNOLOGIES INC AEROSPACE PRODUCTS DIV
2701 SOUTH HARBOR BOULEVARD PO BOX 1259
SANTA ANA, CALIFORNIA 92702-1259
FORMERLY NUTT-SHEL DIV OF SPC WESTERN CO V80539
AND STANDARD PRESSED STEEL WESTERN DIV V17279

83014 HARTWELL CORPORATION
900 SOUTH RICHFIELD ROAD
PLACENTIA, CALIFORNIA 92670-6732
FORMERLY V0532B IN LOS ANGELES, CALIFORNIA

83930 ADEL WIGGINS GROUP
5000 TRIGGS STREET
LOS ANGELES, CALIFORNIA 90022
FORMERLY ADEL PROD DIV OF DELAVAL TURBINE CALIF INC;
FORMERLY EXACTO IND V72285; FORMERLY DELAVAL ADEL FSTN DIV
FORMERLY TRANSAMERICA DELAVAL ADEL FTNRS DIV; FORMERLY IMO
DELAVAL IN HUNTINGTON, WV

71-11-32

ILLUSTRATED PARTS LIST
01.1 Page 1006
Jul 01/03


BOEING
 COMPONENT
 MAINTENANCE MANUAL
VENDORS

84256 AVIBANK MANUFACTURING COMPANY
 210 SOUTH VICTORY BLVD PO BOX 391
 BURBANK, CALIFORNIA 91503
 FORMERLY AVDEL INC AND ROWE SALES CO VB0001
 FORMERLY PRICE, D.W. CORP LOS ANGELES, CALIFORNIA V97978

84971 TA MFG CO SUB OF ESTERLINE
 28065 W FRANKLIN PKY
 VALENCIA, CALIFORNIA 91355
 FORMERLY IN LA, CALIF; SUB OF CRITON CORP, GLENDALE, CALIF

92003 PARKER-HANNIFIN CORPORATION
 14300 ALTON PKWY
 IRVINE, CALIFORNIA 92618
 FORMERLY PARKER AIRCRAFT V02689; FORMERLY SCHULZ TOOL & MFG
 V82267; FORMERLY PARKER-BERTEA AEROSPACE GROUP

92215 FAIRCHILD IND INC FAIRCHILD AEROSPACE FASTENER DIV
 3010 W LOMITA BLVD
 TORRANCE, CALIFORNIA 90505-5102
 FORMERLY VOI-SHAN IN CULVER CITY, CALIF

94581 NATIONAL UTILITIES CORP/NUCO
 1700 HICKORY DRIVE PO BOX 14639
 FORT WORTH, TEXAS 76117-6020
 FORMERLY IN MONROVIA, CALIFORNIA; FORMERLY V2D588

95272 STILLMAN SEL CORP
 6020 AVENIDA ENCINAS
 CARLSBAD, CALIFORNIA 92009-1001
 FORMERLY SARGENT IND

97928 HUCK INTL SEE V17446 HUCK INTL
 SEE V17446 HUCK INTL
 SEE V17446 HUCK INTL

98524 MONOGRAM INDUSTRIES INC AEROSPACE FASTENERS DIV
 3423 SOUTH GARFIELD AVENUE PO BOX 6847
 LOS ANGELES, CALIFORNIA 90022-0547
 FORMERLY NATIONAL SCREW & MFG CO V76689; ADJUSTABLE BUSHING
 CORP, HOLLYWOOD, CA V15291; MONOGRAM/GVI IND INC, SUN
 VALLEY, CA V29464

98996 OLYMPIA FASTENING INV SEE V53551

99648 SEE V30485

71-11-32

 ILLUSTRATED PARTS LIST
 01.1 Page 1007
 Jul 01/03

PART NUMBER	AIRLINE PART NO.	FIG.	ITEM	TTL REQ
AFP175V06		1	446	1
		1	454	2
		10	248	1
		10	256	2
AFP238-0604J		1	462	1
		10	264	1
AFP241-06JL		1	542	1
		10	682	1
AFP941H6		1	450	1
		10	252	1
AF5141-3C		4	300A	1
AN760C6		7	155	2
AN924-6J		1	458	1
		10	260	1
AN960-10		1	630	1
		4	666	6
		10	770	1
		4	264	1
AN960-416L		4	264	1
AN960-516		4	258	1
		4	384	3
AN960-516L		4	252	1
		4	261	1
		4	378	3
		4	387	3
		6	210	8
		1	416	4
AN960-8 AN960C10L		1	530	3
		6	130	14
		10	218	4
		10	670	3
		11	71D	4
		1	914	1
AN960C416L		4	741	1
AN960C6		7	125	2
AN960C916		1	460	1
		10	262	1
AN960KD416		10	395	2
		10	397	54
AN960KD416L		1	24	42
		1	26	50
		10	392	42
		10	394	50
		10	396	70

71-11-32

 ILLUSTRATED PARTS LIST
 01.1 Page 1008
 Jul 01/03


BOEING
 COMPONENT
 MAINTENANCE MANUAL

PART NUMBER	AIRLINE PART NO.	FIG.	ITEM	TTL REQ
AN960KD8		4	150	1
AN960KD8		9	60	1
AN960PD10		1	304	2
		3	20	2
		10	237	3
		10	546	2
		11	165	2
AN960PD10L		1	732	5
		2	195	1
		2	520	3
		3	530	2
		4	129	2
		4	132	1
		4	438	1
		6	110	12
		9	15	2
		9	40	1
		10	928	5
AN960PD416L		3	455	1
		11	240	1
AN960PD516L		4	255	1
		4	381	3
AN960XC10		1	788	8
		1	790	8
		10	320	16
		10	968	8
APX832-0604J		1	462	1
		10	264	1
APX832J0604		1	462	1
		10	264	1
AP1004H06		1	450	1
		10	252	1
AP1008-06JL		1	542	1
		10	682	1
AP2097-06H		1	446	1
		1	454	2
		10	248	1
		10	256	2
ASPFSDT6-17		1	614	2
ASPFSDT8-20		2	290	1
ASPFSDT6		1	574	6
		1	616	2
		10	714	6

71-11-32

 ILLUSTRATED PARTS LIST
 01.1 Page 1009
 Jul 01/03

PART NUMBER	AIRLINE PART NO.	FIG.	ITEM	TTL REQ
ASPFSDT8		2	295	1
ASPLC2AC6		1	576	6
ASPLC2AC6		1	618	2
		10	716	6
		10	758	2
ASPLC2AC8		2	300	1
AS118E0150AAN		1	464	1
		10	266	1
AS161E0150AAN		1	464	1
		10	266	1
BACB28AM04B034A		4	336	1
BACB28AM06B021A		4	627B	3
BACB28AM09B021A		2	365	1
BACB28AP04P022		3	165	1
		11	415	1
BACB28AP06P021		2	370	1
BACB28AP06P022		3	170	1
		11	420	1
BACB28AP07P038		3	95	6
		11	99	6
BACB28AW05A037C		4	342A	2
BACB28W12B042		2	50	2
BACB28W12B076		2	55	2
BACB28W3B037		4	339	1
BACB28X6C015		4	627A	3
BACB28X6C020		4	345	1
BACB28Y5C037		4	342	2
BACB30CC5-2		2	530	3
BACB30FM5A4		3	157	2
		11	405	2
BACB30FN5-5		4	147	1
		9	55	1
BACB30FN6A19K		1	474	7
		10	276	7
BACB30HA6R17		1	738	12
		10	934	12
BACB30JC5A		1	748	2
		10	944	2
BACB30LE4-11		4	231	4
BACB30LE4-7		4	645	4
BACB30LH2-2		1	268A	10
		10	510A	10
BACB30LH2-3		4	570	1
BACB30LH2-4		4	573	1
BACB30LH3-20		1	628	1
		10	768	1
BACB30LH3-5		3	540A	1

71-11-32

 ILLUSTRATED PARTS LIST
 01.1 Page 1010
 Jul 01/03


BOEING
 COMPONENT
 MAINTENANCE MANUAL

PART NUMBER	AIRLINE PART NO.	FIG.	ITEM	TTL REQ
BACB30LH3-5		11	70V	1
BACB30LH3U3		6	125	14
BACB30LJ3-4		6	105	12
BACB30LJ3K5		3	15	2
		11	160	2
BACB30LJ4-18		1	634	2
		10	774	2
BACB30LJ4-3		3	605	6
		11	608	6
BACB30LK3-2		3	525	2
BACB30LL3-3		2	205	1
		4	117	1
		4	144	1
		4	519	2
BACB30LL3-5		4	111	3
		4	114	1
BACB30LL3-7		4	105	1
		4	108	2
BACB30LL3-9		4	120	1
BACB30LM3H15		4	126	1
		9	35	1
BACB30LR2-2		1	268	10
		10	510	10
BACB30LR2-3		1	266	1
		10	508	1
BACB30LR3-5		3	540	1
		11	70U	1
BACB30LR3-6		3	520	4
		3	575	28
		11	69M	28
		11	71M	4
BACB30MB5		1	746	2
		10	942	2
BACB30MY5K		1	173L	2
		10	415L	2
BACB30MY5K10		1	364	1
		10	606	1
BACB30MY5K11		1	362	2
		10	604	2
BACB30MY5K12		1	360	2
		10	602	2
BACB30MY5K13		1	358	2
		10	600	2
BACB30MY5K14		1	356	2
		10	598	2

71-11-32

ILLUSTRATED PARTS LIST

01.1

Page 1011

Jul 01/03

PART NUMBER	AIRLINE PART NO.	FIG.	ITEM	TTL REQ
BACB30MY5K15		1	354	2
		10	596	2
BACB30MY5K16		1	352	1
		10	594	1
BACB30MY5K17		1	350	17
		1	560	26
		10	592	17
		10	700	26
BACB30MY5K18		1	348	21
		10	590	21
BACB30MY5K2		1	370	4
		6	160	16
		10	612	4
BACB30MY5K21		1	346	1
		10	588	1
BACB30MY5K22		1	344	2
		10	586	2
BACB30MY5K3		1	368	5
		1	564	3
		3	506	175
		3	506L	5
		6	165	2
		10	610	5
		10	704	3
BACB30MY5K4		11	555	175
		11	555J	5
		1	562	3
		3	506Q	5
		4	639	4
		10	702	3
		11	555M	5
BACB30MY5K5		1	366	1
		4	711	4
		10	608	1
BACB30MY6F18		1	620	3
		10	760	3
BACB30MY6K		1	189L	10
		10	431L	10
BACB30MY6K10		12	45	1
BACB30MY6K12		3	215	2
		11	465	2
BACB30MY6K14		1	324	2
		10	566	2
BACB30MY6K15		1	322	4
		2	475	1
BACB30MY6K15		10	564	4

71-11-32

 ILLUSTRATED PARTS LIST
 01.1 Page 1012
 Jul 01/03


BOEING
 COMPONENT
 MAINTENANCE MANUAL

PART NUMBER	AIRLINE PART NO.	FIG.	ITEM	TTL REQ
BACB30MY6K16		1	320	5
		2	470	1
		10	562	5
BACB30MY6K17		1	318	6
		10	560	6
BACB30MY6K18		1	316	9
		1	592	20
		10	558	9
BACB30MY6K19		10	732	20
		1	314	14
		10	556	14
BACB30MY6K2		4	450	6
		1	568	2
BACB30MY6K20		1	590	9
		2	410	4
		10	708	2
BACB30MY6K21		10	730	9
		1	588	1
		2	415	4
BACB30MY6K22		10	728	1
		2	335	2
		2	330	2
BACB30MY6K23		1	504	1
		10	644	1
BACB30MY6K24		1	692	5
		1	882	5
		3	415	7
BACB30MY6K4		10	834	5
		10	896	5
		11	37	3
		11	66	1
		11	67	5
		11	200	7
		12	40	4
		1	640	4
		3	295	4
		3	420	17
		4	96	14
4	582	1		
BACB30MY6K5		10	780	4
		11	66A	1
		11	175	4
		11	205	9
		11	205	9

71-11-32

ILLUSTRATED PARTS LIST

01.1

Page 1013

Jul 01/03

PART NUMBER	AIRLINE PART NO.	FIG.	ITEM	TTL REQ
BACB30MY6K6		3	425	3
BACB30MY6K6		11	210	1
BACB30MY6K7		4	201	2
		4	453	3
BACB30MY6K8		3	80	8
		4	456	1
		11	93	8
BACB30MY6K9		3	75	4
		11	91	4
BACB30MY8K10		3	55	8
		4	426	1
		11	83	8
BACB30MY8K11		3	50	4
		11	81	4
BACB30MY8K2		4	435	7
BACB30MY8K4		4	429	5
BACB30MY8K5		4	87	6
BACB30MY8K6		3	435	1
		11	220	1
BACB30MY8K7		3	440	1
		4	90	5
		11	225	1
BACB30NM3K3		2	515	3
BACB30NM4K12		4	483	8
BACB30NM4K13		4	240	4
BACB30NM4K8		10	390	54
BACB30NM4K9		10	388	36
BACB30NR4K10		2	75	5
BACB30NR4K6		1	20	42
		1	22	50
		10	384	42
		10	386	50
BACB30NR4K7		3	450	1
		11	235	1
BACB30NR4K8		1	28	30
		1	30	34
		10	398	30
		10	400	34
BACB30NU3K6		4	471	3
BACB30NU3K8		2	70	16
BACB30NU4K10		2	80	3
BACB30NU4K11		2	85	1
BACB30NU4K12		2	90	1

71-11-32

 ILLUSTRATED PARTS LIST
 01.1 Page 1014
 Jul 01/03


BOEING
 COMPONENT
 MAINTENANCE MANUAL

PART NUMBER	AIRLINE PART NO.	FIG.	ITEM	TTL REQ
BACB30NU4K14		2	95	1
BACB30NW5K		4	348	2
BACB30NW5K19		2	260	6
BACB30NW5K3		4	477	9
BACB30NW5K7		4	504	12
BACB30NW6K		1	408A	1
		1	837	6
		6	5	36
		10	210A	1
		10	351	6
BACB30NW6K12		1	328	2
		10	570	2
BACB30NW6K13		1	326	2
		10	568	2
BACB30NW6K19		1	480	3
		1	760	16
		1	762	16
		10	282	3
		10	306	32
		10	954	16
BACB30NW6K2		4	459	1
BACB30NW6K3		1	676	66
		1	808	12
		1	810	12
		1	866	66
		4	99	12
		4	462	2
		10	331	24
		10	818	66
		10	880	66
		10	980	12
		12	140	66
BACB30NW6K4		1	804	5
		1	806	5
		10	330	10
		10	978	5
BACB30NW6K5		1	690	4
		1	880	4
		4	579	1
		4	618	3
		10	832	4
		10	894	4
		12	35	4
		12	135	100

71-11-32

ILLUSTRATED PARTS LIST

01.1

Page 1015

Jul 01/03

PART NUMBER	AIRLINE PART NO.	FIG.	ITEM	TTL REQ
BACB30NW6K9		4	432	1
BACB30NW8K12		1	286	6
		10	528	6
BACB30NX5K3		4	699	4
BACB30NX5K3		6	175	6
BACB30NX6K10		1	602	2
		10	742	2
BACB30NX6K12		3	225	2
		11	475	2
BACB30NX6K13		1	336	2
		1	390	2
		10	578	2
		10	630	2
BACB30NX6K14		1	388	1
		10	628	1
BACB30NX6K19		1	334	7
		10	576	7
BACB30NX6K3		1	472	3
		10	274	3
BACB30NX6K4		1	427	2
BACB30NX6K5		4	402	3
BACB30NX6K6		3	135	4
		3	175	2
		4	411	3
		11	380	4
		11	425	2
BACB30NX6K7		4	405	2
BACB30NX6K8		3	140	12
		4	408	4
		11	385	12
BACB30NX8K10		1	598	4
		10	738	4
BACB30NX8K19		1	340	4
		10	582	4
BACB30NX8K23		2	320	3
BACB30NY5K4		4	687	8
BACB30NY6K10		1	606	1
		10	746	1
BACB30NY6K18		1	308	1
		1	310	2
		10	550	1
		10	552	2
BACB30NY6K19		1	306	1
		10	548	1

71-11-32

 ILLUSTRATED PARTS LIST
 01.1 Page 1016
 Jul 01/03


BOEING
 COMPONENT
 MAINTENANCE MANUAL

PART NUMBER	AIRLINE PART NO.	FIG.	ITEM	TTL REQ
BACB30NY6K20		1	638	2
		10	778	2
BACB30NY6K21		1	594	1
		2	460	1
		10	734	1
BACB30NY6K22		2	455	1
		1	674	72
BACB30NY6K4		1	864	72
		10	816	72
		10	878	72
		12	20	72
		1	610	2
BACB30NY6K5		4	399	1
		10	750	2
		4	663	6
BACB30NY6K7		1	608	1
		10	748	1
BACB30NY6K9		1	644	2
		2	305	2
		10	784	2
BACB30NY8K20		2	310	2
		5	130	1
BACB30NY8K21		1	172A	25
		10	414	25
BACB30NZ5K18		1	832B	2
		10	346A	2
BACB30VF3K5		1	514	1
		10	654	1
BACB30VF4K4		1	430	1
		10	232	1
BACC10DW16S		1	510	1
		10	650	1
BACC10EP38		1	524	1
		10	664	1
BACC10GE6		1		
		10		
BACC10GF16H		1		
		10		

71-11-32

ILLUSTRATED PARTS LIST

01.1

Page 1017

Jul 01/03

PART NUMBER	AIRLINE PART NO.	FIG.	ITEM	TTL REQ
BACC10GT2-06		1	442	16
		10	244	20
BACC10GT2-06P		10	244A	20
BACC10GY300		1	414	2
		10	216	2
BACC10HS06		10	240B	10
BACC14AD06JL		1	542	1
		10	682	1
BACC30AB6S		1	476	7
		1	768A	16
		1	770A	16
		1	812A	17
		1	814A	17
BACC30AB6S		10	278	7
		10	310A	32
		10	332A	34
		10	958A	16
		10	982A	17
BACC30AG5		1	374	14
		10	616	14
BACC30AG6		1	332	28
		1	392	3
		2	480	2
		10	574	28
		10	632	3
BACC30M5		1	372	49
		1	566	30
		2	265	6
		3	507	180
		4	351	2
		4	480	9
		4	507	12
		4	642	4
		4	714	4
		5	135	1
		6	170	18
10	614	49		
10	706	30		
11	555Q	180		

71-11-32

 ILLUSTRATED PARTS LIST
 01.1 Page 1018
 Jul 01/03


BOEING
 COMPONENT
 MAINTENANCE MANUAL

PART NUMBER	AIRLINE PART NO.	FIG.	ITEM	TTL REQ	
BACC30M6		1	312A	3	
		1	330	16	
		1	410	1	
		1	484	3	
		1	570	2	
		1	596	31	
		1	642	6	
		1	678A	138	
		1	694	9	
		1	837G	6	
		1	868A	138	
		1	884	9	
		2	340	4	
		2	420	8	
		3	85A	12	
		3	220	2	
		3	300	4	
		3	430	27	
		4	102	26	
	BACC30M6		4	204	2
			4	465	11
			4	585A	2
			4	621A	3
			6	10	36
			10	212	1
			10	286	3
			10	351G	6
			10	554	3
			10	572	16
			10	710	2
			10	736	31
			10	782	6
			10	820	138
		10	836	9	
		10	882	138	
		10	898	9	
		11	38	3	
		11	68	6	
		11	95	12	
		11	180	4	
		11	215	17	
		11	470	2	
		12	25	72	
	12	55	5		
	12	145	166		

71-11-32

ILLUSTRATED PARTS LIST

01.1

Page 1019

Jul 01/03

PART NUMBER	AIRLINE PART NO.	FIG.	ITEM	TTL REQ	
BACC30M8		1	288	6	
		1	646	2	
		2	315	4	
		3	60	12	
		3	445	2	
		4	93	11	
		4	441	12	
		10	530	6	
		10	786	2	
		11	85	12	
		11	230	2	
	BACC30P6		1	742	12
			10	938	12
	BACC30X5		1	750	4
		6	180	6	
		10	946	4	
BACC30X5S		4	690	8	
		4	702	4	
BACC30X6		1	429	2	
BACC30X6		3	145A	16	
		3	230A	2	
		4	414	13	
		11	390A	16	
		11	480A	2	
BACC30X6S		1	612	4	
		3	145	16	
		3	230B	2	
		4	669	6	
		10	752	4	
		11	390	16	
		11	480	2	

71-11-32

 ILLUSTRATED PARTS LIST
 01.1 Page 1020
 Jul 01/03


BOEING
 COMPONENT
 MAINTENANCE MANUAL

PART NUMBER	AIRLINE PART NO.	FIG.	ITEM	TTL REQ	
BACC30X6SW		1	338	9	
		1	604	2	
		2	465	2	
		3	190	2	
		10	580	9	
		10	744	2	
		11	440	2	
	BACC30X8SW		1	342	4
			1	600	4
			2	325	3
			10	584	4
		10	740	4	
		11	168	1	
BACF3F006J008NN		4	168	1	
BACF3F007G063NN		2	115	1	
BACF3F008G062NN		2	125	1	
BACF3F008N030NN		4	681B	1	
BACF3F008R030NN		4	681A	1	
BACF3F009D009NN		3	320	2	
		11	190	2	
BACF3F009J010NN		4	219	1	
BACF3F009L046NN		3	325	2	
		11	195	2	
BACF3F009P020BN		4	222	1	
BACF3F009W021NN		4	216	1	
BACF3F011J011NN		4	309	1	
		4	369	1	
BACF3T03L9-10		4	363	1	
BACF3T04M12-20		4	366	1	
BACG20AF4B6		3	10	2	
BACG20AF4B6A		3	10A	2	
BACH5M0150AAN		1	464	1	
		10	266	1	
BACJ40A21-8		1	412	1	
BACJ40A21-8		10	214	1	
BACL10E115-250		4	696	1	
BACL10E125-330		4	693	1	
		4	694	2	
BACN10GW3		4	444	1	
BACN10HR3CS		1	538	5	
		10	678	5	
BACN10HR4		4	234	4	
		4	648	4	

71-11-32

 ILLUSTRATED PARTS LIST
 01.1 Page 1021
 Jul 01/03

PART NUMBER	AIRLINE PART NO.	FIG.	ITEM	TTL REQ
BACN10JA3CM		4	528	3
		4	564	1
BACN10JA4CM		4	492	6
		4	513	3
BACN10JC06C		7	160	2
BACN10JC08		4	156	1
		9	65	1
BACN10JC08CM		1	567	2
		10	707	2
BACN10JC3		1	622	3
		1	734	5
		2	185	1
		2	210	1
		3	25	2
		3	535	2
		4	135	1
		4	153	1
		4	468	2
		9	20	1
		10	762	3
		10	930	5
		11	71H	4
		11	170	2
BACN10JC3C		1	792	8
		1	794	8
		6	135	14
		10	322	16
		10	970	8
BACN10JC3CM		1	300	1
		1	305	1
		1	428	1
		1	436	2
		1	508	1
		1	522	2
		1	532	4
		1	632	1
BACN10JC3CM		10	230	1
		10	238	4
		10	542	1
		10	547	1
		10	648	1
		10	662	2
		10	672	4
		10	772	1

71-11-32

 ILLUSTRATED PARTS LIST
 01.1 Page 1022
 Jul 01/03


BOEING
 COMPONENT
 MAINTENANCE MANUAL

PART NUMBER	AIRLINE PART NO.	FIG.	ITEM	TTL REQ
BACN10JC4		3	460	1
		4	447	1
		11	245	1
BACN10JC4CM		1	406	1
		4	270	1
		4	393	3
		10	208	1
BACN10JN08CM		1	282	11
		2	385	1
		2	440	3
BACN10JN3CM		10	524	11
		2	150	14
		2	155	11
BACN10JN4CM		3	615	6
		11	614	6
BACN10JP06BCM		7	170A	2
BACN10JP08ACM		2	500	2
		4	612	1
BACN10JP08CCM		2	380	1
BACN10JP3A		2	525	3
BACN10JP3BCM		1	492	4
		2	280	3
		10	294	4
BACN10JP3DCM		4	531	3
		4	567	5
BACN10JP4CCM		4	495	6
BACN10JR3CFM		2	160	2
		3	275	2
		6	150	8
BACN10JR3CM		11	515	2
		1	278	1
		10	520	1
BACN10JR3F		3	600	32
		11	70E	32
BACN10JR4CD		4	303	1

71-11-32

ILLUSTRATED PARTS LIST

01.1

Page 1023

Jul 01/03

PART NUMBER	AIRLINE PART NO.	FIG.	ITEM	TTL REQ
BACN10JR4CFD		1	37	2
		1	57	10
BACN10JR4CFD		1	59	2
		1	85	6
		1	87	4
		1	109	2
		1	125	4
		1	139	4
		1	153	2
		4	303A	1
		10	38	2
		10	66	10
		10	66A	2
		10	96	4
		10	96A	2
		10	120	2
		10	142	4
		10	164	4
		10	190	4
BACN10JR4CFM		4	303B	1
BACN10KB06CFM		7	170	2
BACN10KB08CFM		4	615	1
BACN10KB3		3	495	2
		11	548	2
BACN10KB3CFD		1	258	1
		1	284	1
		10	500	1
		10	526	1
		11	65	4
BACN10KB4CFD		1	39	2
		1	57G	10
		1	59G	2
		1	85G	6
		1	87G	4
		1	111	2
		1	127	4
		1	141	4
		1	155	2
		10	34	2
		10	62	10
		10	62A	2
		10	92	4
		10	92A	2
		10	116	2
		10	138	4
		10	160	4
		10	186	4

71-11-32

 ILLUSTRATED PARTS LIST
 01.1 Page 1024
 Jul 01/03


BOEING
 COMPONENT
 MAINTENANCE MANUAL

PART NUMBER	AIRLINE PART NO.	FIG.	ITEM	TTL REQ		
BACN10KB4CFM		3	315	2		
		11	35	2		
BACN10KE3B2CM		1	196	1		
		1	204	1		
		1	214	1		
		1	224	1		
		1	234	1		
		1	244	1		
		3	390	12		
		10	438	1		
		10	446	1		
		10	456	1		
		10	466	1		
		10	476	1		
		10	486	1		
		11	530	12		
		BACN10KE3B3CM		1	280	12
				10	522	12
		BACN10KE3DCM		6	155	4
BACN10KE3E2CM		1	180	1		
		1	188	1		
		1	206	1		
		1	216	1		
		1	226	1		
		1	236	1		
		1	246	1		
		10	422	1		
		10	430	1		
		10	448	1		
		10	458	1		
		10	468	1		
		10	478	1		
10	488	1				

71-11-32

ILLUSTRATED PARTS LIST

01.1

Page 1025

Jul 01/03

PART NUMBER	AIRLINE PART NO.	FIG.	ITEM	TTL REQ
BACN10KE4A		1	836	2
		10	350	2
BACN10KE4DCD		1	163	54
		10	404	54
BACN10KE4DCM		1	163A	54
		10	404A	54
BACN10KF3CM		4	534	1
BACN10KJ3		3	350	4
BACN10XJ5		1	173S	2
		10	415S	2
BACN10XJ6		1	189S	10
		10	431S	10
BACN10YT3CS		12	50	4
BACR15BA3AD		1	178	2
		1	186	2
		1	194	2
		1	202	4
		1	212	4
		1	222	4
		1	232	4
		1	242	4
		1	256	2
		1	274	48
		1	276	2
		2	100	10
		2	145	54
		2	375	4
		2	435	6
		2	495	4
		3	270	4
		4	525	14
		4	561	12
		4	609	4
		10	420	2
		10	428	2
		10	436	2
		10	444	4
		10	454	4
		10	464	4
		10	474	4
		10	484	4
		10	498	2
		10	516	48
		10	518	2
		11	60	8
		11	512	4

71-11-32

 ILLUSTRATED PARTS LIST
 01.1 Page 1026
 Jul 01/03


BOEING
 COMPONENT
 MAINTENANCE MANUAL

PART NUMBER	AIRLINE PART NO.	FIG.	ITEM	TTL REQ
BACR15BA3AD2		3	490	4
		11	545	4
BACR15BA3B		1	162P	108
		10	402	108
BACR15BA5A		3	545	20
		3	545A	15
BACR15BA5AD		11	71R	15
		3	360	4
BACR15BA5D5		11	45	4
		4	717	2
BACR15BA8KE19		1	688	5
BACR15BA8KE19		10	830	5
BACR15BA8KE19C		12	75	5
BACR15BA8KE22		1	684	5
BACR15BA8KE22C		10	826	5
		12	70	5
BACR15BB3AD		2	245	13
BACR15BB3B		3	310	4
		3	345	8
		3	595	64
		3	610	12
		11	30	4
		11	70C	64
		11	611	12
		1	40	2
		1	60	10
		1	62	2
BACR15BB3B		1	88	4
		1	90	2
		1	112	2
		1	128	4
		1	142	4
		1	156	2
		10	44	2
		10	72	10
		10	72A	2
		10	100	4
BACR15BB3B		10	100A	2
		10	124	2
		10	146	4
		10	168	4
		10	194	4
		10	194	4

71-11-32

 ILLUSTRATED PARTS LIST
 01.1 Page 1027
 Jul 01/03

PART NUMBER	AIRLINE PART NO.	FIG.	ITEM	TTL REQ	
BACR15BB5AD		3	150	6	
		3	152	4	
		3	255	1	
		5	75	5	
		11	395	6	
		11	400	4	
		11	503	1	
	BACR15BB5AD3		1	558	1
			1	584	1
			10	698	1
			10	724	1
BACR15BB5B		6	205	8	
BACR15BB6AD		3	260	1	
BACR15CE3B		11	506	1	
		1	36	8	
		1	52	40	
		1	54	8	
		1	80	8	
		1	82	4	
		1	108	4	
		1	124	16	
		1	138	16	
		1	152	8	
		10	32	8	
		10	60	40	
		10	60A	8	
		10	86	8	
		10	86A	4	
		10	90	16	
		10	90A	8	
		10	110	4	
		10	114	8	
		10	134	16	
	10	156	16		
	10	182	16		

71-11-32

 ILLUSTRATED PARTS LIST
 01.1 Page 1028
 Jul 01/03


BOEING
 COMPONENT
 MAINTENANCE MANUAL

PART NUMBER	AIRLINE PART NO.	FIG.	ITEM	TTL REQ
BACR15CE3D		3	385	24
		4	297	1
		4	300	1
		4	489	24
		11	527	24
BACR15CE3D3		6	145	24
BACR15CE3KE		1	834	4
		10	348	4
BACR15CE3M		1	490	8
		2	275	6
		4	510	6
		7	95	3
		7	165	4
		7	175	7
		7	230	3
		10	292	8
		4	549	1
		1	270	7
BACR15CE5D		1	382	1
		1	556	1
		3	250	1
		4	546	2
		10	512	7
		10	624	1
		10	696	1
BACR15CE5KE		11	500	1
		4	189	1
BACR15CE5M		1	380	1
		1	554	1
BACR15CE6KE		1	586	8
		3	70	12
		10	622	1
		10	694	1
		10	726	8
		11	87	12

71-11-32

ILLUSTRATED PARTS LIST

01.1

Page 1029

Jul 01/03

PART NUMBER	AIRLINE PART NO.	FIG.	ITEM	TTL REQ
BACR15CE6KE7		1	670	4
		1	722	4
		1	860	4
		10	812	4
		10	864	4
		10	874	4
BACR15CE8KE17		1	686	5
		1	876	5
		10	828	5
		10	890	5
		12	65	4
BACR15CE8KE19		1	878	5
		10	892	5
BACR15CE8KE20		1	682	5
		1	872	5
		10	824	5
		10	886	5
		12	60	6
BACR15CE8KE22		1	874	5
		10	888	5
BACR15DR3AC		4	300A	1
BACR15FP5MPR		12	10	4
BACR15FT5KE		1	173	2
		2	25	13
		4	537	4
		10	415	2
BACR15FT5KE2		1	552	23
		10	692	23
BACR15FT5KE3C		4	588A	1
BACR15FT5KE4C		4	591A	1
BACR15FT5KE5		1	550	2
		10	690	2

71-11-32

 ILLUSTRATED PARTS LIST
 01.1 Page 1030
 Jul 01/03


BOEING
 COMPONENT
 MAINTENANCE MANUAL

PART NUMBER	AIRLINE PART NO.	FIG.	ITEM	TTL REQ
BACR15FT6KE		1	189	10
		3	65	36
BACR15FT6KE		3	235	18
		3	305	8
		3	340	6
		4	594	3
		10	431	10
		11	89	36
		11	185	8
		11	485	18
BACS12CK06U5		7	120	2
		7	150	2
BACS12CK3-24		1	516	2
		10	656	2
BACS12CK3-8		1	526	4
		10	666	4
BACS12CK3U8		1	426	5
		1	432	5
		10	228	5
		10	234	11
BACS12CK4U8		1	404	1
		10	206	1
BACS13BX06H		1	446	1
		1	454	2
		10	248	1
		10	256	2
BACS18AN16		1	520	1
		10	660	1
BACS40R008D030F		4	684A	2
BACS40R011B028F		12	90	2
BACS40R011B033F		12	125	1
BACS40R011C033F		12	115	1
BACS40R021B029F		12	130	1
BACS40R021B035F		12	100	1
BACS40R022C058F		12	95	1
BACS40R022C065F		12	120	1
BACS40R07D011F		1	260	1
		10	502	1
BACS40R08C359F		4	177	1
BACS40R09B21F		3	115	6
BACS40R09B21F		11	116	6
BACS40R09B31F		6	220A	1
BACS40R09B32F		6	230A	2

71-11-32

 ILLUSTRATED PARTS LIST
 01.1 Page 1031
 Jul 01/03

PART NUMBER	AIRLINE PART NO.	FIG.	ITEM	TTL REQ
BACS4OR09B41F		6	225A	1
BACS4OR09D10F		4	180	6
BACS4OR10C17F		1	654	1
		10	794	1
BACS4OR10C38F		2	350	1
BACS4OR10D19F		4	183	6
BACS4OR11B22F		3	110	6
		11	114	6
BACS4OR11B28F		1	706	1
		1	896	1
		10	848	1
		10	910	1
BACS4OR11B2833F		1	700	1
		1	890	1
		10	842	1
		10	904	1
BACS4OR11B61F		1	294	1
		10	532	1
BACS4OR11C43F		4	171	1
BACS4OR12C35F		2	130	1
BACS4OR13D43F		4	174	1
BACS4OR17B33F		3	120	6
		11	118	6
BACS4OR21B29F		1	696	1
		1	886	1
		10	838	1
		10	900	1
BACS4OR21B35F		1	702	1
		1	892	1
		10	844	1
		10	906	1

71-11-32

 ILLUSTRATED PARTS LIST
 01.1 Page 1032
 Jul 01/03


BOEING
 COMPONENT
 MAINTENANCE MANUAL

PART NUMBER	AIRLINE PART NO.	FIG.	ITEM	TTL REQ
BACS40R22C58F		1	704	1
		1	894	1
		10	846	1
		10	908	1
BACS40R22C65F		1	698	1
		1	888	1
		10	840	1
		10	902	1
BACS40R37C46F		2	345	1
		1	424	2
BACS40R6W33		10	226	2
		1	422	2
BACS40R6W38		10	224	2
		1	764	1
BACS40R7B10F		1	766	2
		10	308	3
		10	956	1
		1	462	1
BACU24AA0604J		10	264	1
		1	450	1
BACU24AB6H		10	252	1
		1	506	1
BACW10BN3SP		1	518	2
		1	528	1
		10	646	1
		10	658	2
		10	668	1
		1	482	3
BACW10BN6SP		10	284	3
		4	267	1
BACW10BP5ACU		4	390	3
		3	185	2
BACW10P69S		11	435	2

71-11-32

ILLUSTRATED PARTS LIST

01.1

Page 1033

Jul 01/03

PART NUMBER	AIRLINE PART NO.	FIG.	ITEM	TTL REQ
BAC27EPPS10048		4	733	1
BAC27TPP0209		11	626	1
BAC27TPP0210		11	632	1
BAC27TPP0211		11	638	1
BAC27TPP0213		11	629	1
BAC27TPP0214		11	635	1
BAC27TPP0215		11	641	1
BAC27TPP0217		11	644	1
BAC27TPP0218		11	647	1
BAC27TTR0025		3	620	4
		11	617	6
BAC27TTR0035		4	774	1
BAC27TTR0036		3	625	1
		11	620	1
BAC27TTR0039		3	630	1
		11	623	1
BH00303-3		1	538	5
		10	678	5
BH003033		1	538	5
		10	678	5
BH00309-5		1	173S	2
		10	415S	2
BH00309-5S		1	173S	2
		10	415S	2
BH00309-6		1	189S	10
		10	431S	10
BH00309-6S		1	189S	10
		10	431S	10
BMNN1OHR4		4	234	4
		4	648	4
BMN1OHRCPD3-3		1	538	5
		10	678	5
BMN1OHR4		4	234	4
		4	648	4

71-11-32

 ILLUSTRATED PARTS LIST
 01.1 Page 1034
 Jul 01/03


BOEING
 COMPONENT
 MAINTENANCE MANUAL

PART NUMBER	AIRLINE PART NO.	FIG.	ITEM	TTL REQ
BMN5024CPD3-3		1	538	5
		10	678	5
BMN5024CPD33		1	538	5
		10	678	5
BRFM20C08M		1	282	11
		2	385	1
		2	440	3
		10	524	11
BRFM20C3M		2	150	14
		2	155	11
BRFM20C4M		3	615	6
		11	614	6
BRFR120C3-2M		1	180	1
		1	188	1
		1	206	1
		1	216	1
		1	226	1
		1	236	1
		1	246	1
		10	422	1
		10	430	1
		10	448	1
		10	458	1
		10	468	1
		10	478	1
		10	488	1
BRFR220A4-1		1	836	2
		10	350	2
BRFR220C3-3M		1	280	12
		10	522	12
BRF100C06M		7	170	2
BRF100C08M		4	615	1
BRF100C3D		1	258	1
BRF100C3D		1	284	1
		10	500	1
		10	526	1
		11	65	4

71-11-32

ILLUSTRATED PARTS LIST

01.1

Page 1035

Jul 01/03

PART NUMBER	AIRLINE PART NO.	FIG.	ITEM	TTL REQ	
BRF100C4D		1	39	2	
		1	57G	10	
		1	59G	2	
		1	85G	6	
		1	87G	4	
		1	111	2	
		1	127	4	
		1	141	4	
		1	155	2	
		10	34	2	
		10	62	10	
		10	62A	2	
		10	92	4	
		10	92A	2	
		10	116	2	
		10	138	4	
		10	160	4	
		10	186	4	
	BRF100C4M		3	315	2
			11	35	2
BRF110C3M		4	528	3	
		4	564	1	
BRF110C4M		4	492	6	
		4	513	3	
BRF170C3M		4	528	3	
		4	564	1	
BRF170C4M		4	492	6	
		4	513	3	
BRF200A3		3	600	32	
		11	70E	32	
BRF200C3M		2	160	2	
		3	275	2	
		6	150	8	
		11	515	2	
BRF200C4D		1	37	2	
		1	57	10	
		1	59	2	
		1	85	6	
		1	87	4	
		1	109	2	
		1	125	4	

71-11-32

 ILLUSTRATED PARTS LIST
 01.1 Page 1036
 Jul 01/03


BOEING
 COMPONENT
 MAINTENANCE MANUAL

PART NUMBER	AIRLINE PART NO.	FIG.	ITEM	TTL REQ	
BRF200C4D		1	139	4	
		1	153	2	
		4	303A	1	
		10	38	2	
		10	66	10	
		10	66A	2	
		10	96	4	
		10	96A	2	
		10	120	2	
		10	142	4	
		10	164	4	
		10	190	4	
	BRF200C4M		4	303B	1
	BRH10A08		4	156	1
		9	65	1	
BRH10A3		1	622	3	
		1	734	5	
		2	185	1	
		2	210	1	
		3	25	2	
		3	535	2	
		4	135	1	
		4	153	1	
		4	468	2	
		9	20	1	
		10	762	3	
		10	930	5	
		11	71H	4	
		11	170	2	
BRH10A4		3	460	1	
		4	447	1	
		11	245	1	
BRH10C06		7	160	2	
BRH10C08M		1	567	2	
		10	707	2	
BRH10C3		1	792	8	
		1	794	8	
		6	135	14	
		10	322	16	
		10	970	8	
		10	970	8	
BRH10C3M		1	300	1	
		1	305	1	
		1	428	1	
		1	436	2	
		1	508	1	
		1	508	1	

71-11-32

ILLUSTRATED PARTS LIST

01.1

Page 1037

Jul 01/03

PART NUMBER	AIRLINE PART NO.	FIG.	ITEM	TTL REQ
BRH10C3M		1	522	2
		1	532	4
		1	632	1
		10	230	1
		10	238	4
		10	542	1
		10	547	1
		10	648	1
		10	662	2
		10	672	4
BRH10C4M		10	772	1
		1	406	1
		4	270	1
		4	393	3
BRM100C06LM		10	208	1
		7	170A	2
BRM100C3M		1	492	4
		2	280	3
BRM200A3		10	294	4
		2	525	3
BRM200C08M		2	500	2
		4	612	1
BRM300C08M		2	380	1
		4	495	6
BRM300C4M		4	495	6
		3	495	2
BR1000A3		11	548	2
		1	278	1
BR2000C3M		1	278	1
		10	520	1
BR2000C4D		4	303	1
		4	534	1
BR3000C3M		4	534	1
		1	800	1
BOE2040		1	802	1
		10	326	2
BOE2040-0004		10	974	1
		1	800A	1
BOE2048-0501		1	802A	1
		10	328	2
BOE2048-0502		10	976	1
		6	115	1
BOE2048-0504		6	120	1
		6	115C	1
BOE2048-0505		6	120C	1
		6	120C	1
B30MY5K10		1	364	1
		10	606	1

71-11-32

 ILLUSTRATED PARTS LIST
 01.1 Page 1038
 Jul 01/03


BOEING
 COMPONENT
 MAINTENANCE MANUAL

PART NUMBER	AIRLINE PART NO.	FIG.	ITEM	TTL REQ
B30MY5K11		1	362	2
		10	604	2
B30MY5K12		1	360	2
		10	602	2
B30MY5K13		1	358	2
		10	600	2
B30MY5K14		1	356	2
		10	598	2
B30MY5K15		1	354	2
		10	596	2
B30MY5K16		1	352	1
		10	594	1
B30MY5K17		1	350	17
		1	560	26
B30MY5K18		10	592	17
		10	700	26
B30MY5K2		1	348	21
		10	590	21
B30MY5K21		1	370	4
		6	160	16
B30MY5K22		10	612	4
		1	346	1
B30MY5K3		10	588	1
		1	344	2
B30MY5K3		10	586	2
		1	368	5
B30MY5K3		1	564	3
		3	506	175
B30MY5K3		3	506L	5
		6	165	2
B30MY5K3		10	610	5
		10	704	3
B30MY5K3		11	555	175
		11	555J	5

71-11-32

ILLUSTRATED PARTS LIST

01.1

Page 1039

Jul 01/03

PART NUMBER	AIRLINE PART NO.	FIG.	ITEM	TTL REQ
B30MY5K4		1	562	3
		3	506Q	5
		4	639	4
		10	702	3
		11	555M	5
B30MY5K5		1	366	1
		4	711	4
		10	608	1
B30MY6K12		3	215	2
		11	465	2
B30MY6K14		1	324	2
		10	566	2
B30MY6K16		1	320	5
		2	470	1
		10	562	5
B30MY6K17		1	318	6
		10	560	6
B30MY6K18		1	316	9
		1	592	20
		10	558	9
		10	732	20
B30MY6K19		1	314	14
		10	556	14
B30MY6K2		4	450	6
B30MY6K20		1	568	2
		1	590	9
		2	410	4
		10	708	2
		10	730	9
B30MY6K21		1	588	1
		2	415	4
		10	728	1
B30MY6K22		2	335	2
B30MY6K23		2	330	2

71-11-32

 ILLUSTRATED PARTS LIST
 01.1 Page 1040
 Jul 01/03


BOEING
 COMPONENT
 MAINTENANCE MANUAL

PART NUMBER	AIRLINE PART NO.	FIG.	ITEM	TTL REQ
B30MY6K24		1	504	1
		10	644	1
B30MY6K4		1	692	5
		1	882	5
		3	415	7
		10	834	5
		10	896	5
		11	37	3
		11	66	1
		11	67	5
		11	200	7
B30MY6K5		1	640	4
		3	295	4
		3	420	17
		4	96	14
		4	582	1
		10	780	4
		11	66A	1
		11	175	4
		11	205	9
B30MY6K7		4	201	2
B30MY6K7		4	453	3
B30MY6K8		3	80	8
		4	456	1
		11	93	8
B30MY6K9		3	75	4
		11	91	4
B30MY8K10		3	55	8
		4	426	1
		11	83	8
B30MY8K11		3	50	4
		11	81	4
B30MY8K2		4	435	7
B30MY8K4		4	429	5
B30MY8K5		4	87	6

71-11-32

ILLUSTRATED PARTS LIST

01.1

Page 1041

Jul 01/03

PART NUMBER	AIRLINE PART NO.	FIG.	ITEM	TTL REQ
B30MY8K6		3	435	1
		11	220	1
B30MY8K7		3	440	1
		4	90	5
		11	225	1
B30NW5K19		2	260	6
B30NW5K3		4	477	9
B30NW5K7		4	504	12
B30NW6K12		1	328	2
		10	570	2
B30NW6K13		1	326	2
		10	568	2
B30NW6K19		1	480	3
		1	760	16
		1	762	16
		10	282	3
		10	306	32
		10	954	16
		4	459	1
		1	676	66
		1	808	12
		1	810	12
B30NW6K2 B30NW6K3		1	866	66
		4	99	12
		4	462	2
		10	331	24
		10	818	66
		10	880	66
		10	980	12
		12	140	66
		1	804	5
		1	806	5
		10	330	10
		10	978	5
		B30NW6K5		1
1	880			4
4	579			1
4	618			3
10	832			4
10	894			4
12	35			4
12	135			100
4	432			1
1	286			6
B30NW6K9 B30NW8K12		10	528	6
		1	464	1
B307BBB0150CN		1	464	1
		10	266	1

71-11-32

 ILLUSTRATED PARTS LIST
 01.1 Page 1042
 Jul 01/03


BOEING
 COMPONENT
 MAINTENANCE MANUAL

PART NUMBER	AIRLINE PART NO.	FIG.	ITEM	TTL REQ
CCR264CS3C		4	300A	1
CR59064		4	234	4
		4	648	4
CR59083		1	538	5
		10	678	5
DBOC14AD6JL		1	542	1
		10	682	1
DBOS13BX06H		1	446	1
		1	454	2
		10	248	1
		10	256	2
DBOU24AA0604J		1	462	1
		10	264	1
DBOU24AB6H		1	450	1
		10	252	1
D4848-1		1	540	1
		1	736	1
		10	680	1
		10	932	1
ER832-0604J		1	462	1
		10	264	1
E4B6		3	10	2
FER1579-0604J		1	462	1
		10	264	1
FER22661-06JL		1	542	1
		10	682	1
F2001-06		7	170	2
F2001-08		4	615	1
F2001-4		3	315	2
		11	35	2
F2401-3		4	528	3
		4	564	1
F2401-4		4	492	6
		4	513	3
F5000-3BAC		3	600	32
		11	70E	32
F5001-3BAC		2	160	2
		3	275	2
		6	150	8
		11	515	2
F5001-4BAC		4	303B	1
F51604-3		1	258	1
		1	284	1
		10	500	1
		10	526	1
		11	65	4

71-11-32

 ILLUSTRATED PARTS LIST
 01.1 Page 1043
 Jul 01/03

PART NUMBER	AIRLINE PART NO.	FIG.	ITEM	TTL REQ
F51604-4		1	39	2
		1	57G	10
		1	59G	2
		1	85G	6
		1	87G	4
		1	111	2
		1	127	4
		1	141	4
		1	155	2
	F51604-4		10	34
		10	62	10
		10	62A	2
		10	92	4
		10	92A	2
		10	116	2
		10	138	4
		10	160	4
		10	186	4
F51747-3-2DL			1	196
		1	204	1
		1	214	1
		1	224	1
		1	234	1
		1	244	1
		3	390	12
		10	438	1
		10	446	1
		10	456	1
		10	466	1
		10	476	1
		10	486	1
F51747-3-3DL		11	530	12
		1	280	12
F51750-4-1		10	522	12
		1	836	2
F51751-3-2DL		10	350	2
		1	180	1
		1	188	1
		1	206	1
		1	216	1
		1	226	1
		1	236	1
		1	246	1
		10	422	1
		10	430	1

71-11-32

 ILLUSTRATED PARTS LIST
 01.1 Page 1044
 Jul 01/03


BOEING
 COMPONENT
 MAINTENANCE MANUAL

PART NUMBER	AIRLINE PART NO.	FIG.	ITEM	TTL REQ
F51751-3-2DL		10	448	1
		10	458	1
		10	468	1
		10	478	1
		10	488	1
F51753-3DL		6	155	4
F51753-4CD		1	163	54
		10	404	54
F51753-4DL		1	163A	54
		10	404A	54
G6940-4B6		3	10	2
HLVAZ6-2		4	459	1
HL10VAZ5-10		1	364	1
		10	606	1
HL10VAZ5-11		1	362	2
		10	604	2
HL10VAZ5-12		1	360	2
		10	602	2
HL10VAZ5-13		1	358	2
		10	600	2
HL10VAZ5-14		1	356	2
		10	598	2
HL10VAZ5-15		1	354	2
		10	596	2
HL10VAZ5-16		1	352	1
		10	594	1
HL10VAZ5-17		1	350	17
		1	560	26
HL10VAZ5-18		10	592	17
		10	700	26
		1	348	21
HL10VAZ5-2		10	590	21
		1	370	4
		6	160	16
		10	612	4

71-11-32

ILLUSTRATED PARTS LIST

01.1

Page 1045

Jul 01/03

PART NUMBER	AIRLINE PART NO.	FIG.	ITEM	TTL REQ
HL10VAZ5-21		1	346	1
		10	588	1
HL10VAZ5-22		1	344	2
		10	586	2
HL10VAZ5-3		1	368	5
		1	564	3
		3	506	175
		3	506L	5
HL10VAZ5-3		6	165	2
		10	610	5
		10	704	3
		11	555	175
HL10VAZ5-4		11	555J	5
		1	562	3
		3	506Q	5
		4	639	4
		10	702	3
HL10VAZ5-5		11	555M	5
		1	366	1
		4	711	4
		10	608	1
HL10VAZ6-12		3	215	2
		11	465	2
HL10VAZ6-14		1	324	2
		10	566	2
HL10VAZ6-15		1	322	4
		2	475	1
		10	564	4
HL10VAZ6-16		1	320	5
		2	470	1
		10	562	5
HL10VAZ6-17		1	318	6
		10	560	6

71-11-32

 ILLUSTRATED PARTS LIST
 01.1 Page 1046
 Jul 01/03


BOEING
 COMPONENT
 MAINTENANCE MANUAL

PART NUMBER	AIRLINE PART NO.	FIG.	ITEM	TTL REQ
HL10VAZ6-18		1	316	9
		1	592	20
		10	558	9
		10	732	20
		10	730	9
HL10VAZ6-19		1	314	14
		10	556	14
HL10VAZ6-2		4	450	6
HL10VAZ6-20		1	568	2
		1	590	9
		2	410	4
		10	708	2
		10	730	9
HL10VAZ6-21		1	588	1
		2	415	4
		10	728	1
HL10VAZ6-22		2	335	2
HL10VAZ6-23		2	330	2
HL10VAZ6-24		1	504	1
		10	644	1
HL10VAZ6-4		1	692	5
		1	882	5
HL10VAZ6-4		3	415	7
		10	834	5
		10	896	5
		11	37	3
		11	66	1
		11	67	5
		11	200	7
		11	640	4
HL10VAZ6-5		3	295	4
		3	420	17
		4	96	14
		4	582	1
		10	780	4
		11	66A	1
		11	175	4
		11	205	9

71-11-32

ILLUSTRATED PARTS LIST

01.1

Page 1047

Jul 01/03

PART NUMBER	AIRLINE PART NO.	FIG.	ITEM	TTL REQ
HL10VAZ6-6		3	425	3
		11	210	1
HL10VAZ6-7		4	201	2
		4	453	3
HL10VAZ6-8		3	80	8
		4	456	1
		11	93	8
HL10VAZ6-9		3	75	4
		11	91	4
HL10VAZ8-10		3	55	8
		4	426	1
		11	83	8
HL10VAZ8-11		3	50	4
		11	81	4
HL10VAZ8-2		4	435	7
HL10VAZ8-4		4	429	5
HL10VAZ8-5		4	87	6
HL10VAZ8-6		3	435	1
		11	220	1
HL10VAZ8-7		3	440	1
		4	90	5
		11	225	1
HL1012AZ5-3		4	699	4
		6	175	6
HL1012AZ6-10		1	602	2
		10	742	2
HL1012AZ6-12		3	225	2
		11	475	2
HL1012AZ6-13		1	336	2
		1	390	2
		10	578	2
		10	630	2
HL1012AZ6-14		1	388	1
		10	628	1
HL1012AZ6-19		1	334	7
		10	576	7
HL1012AZ6-3		1	472	3
		10	274	3
HL1012AZ6-4		1	427	2

71-11-32

 ILLUSTRATED PARTS LIST
 01.1 Page 1048
 Jul 01/03


BOEING
 COMPONENT
 MAINTENANCE MANUAL

PART NUMBER	AIRLINE PART NO.	FIG.	ITEM	TTL REQ
HL1012AZ6-5		4	402	3
HL1012AZ6-6		3	135	4
		3	175	2
		4	411	3
		11	380	4
		11	425	2
HL1012AZ6-7		4	405	2
HL1012AZ6-8		3	140	12
		4	408	4
		11	385	12
HL1012AZ8-10		1	598	4
		10	738	4
HL1012AZ8-19		1	340	4
		10	582	4
HL1012AZ8-23		2	320	3
HL11VAZ5-19		2	260	6
HL11VAZ5-3		4	477	9
HL11VAZ5-7		4	504	12
HL11VAZ6-12		1	328	2
		10	570	2
HL11VAZ6-13		1	326	2
		10	568	2
HL11VAZ6-19		1	480	3
		1	760	16
		1	762	16
		10	282	3
HL11VAZ6-19		10	306	32
		10	954	16
HL11VAZ6-2		4	459	1
HL11VAZ6-3		1	676	66
		1	808	12
		1	810	12
		1	866	66
		4	99	12
		4	462	2
		10	331	24
		10	818	66
		10	880	66
		10	980	12
		12	140	66

71-11-32

 ILLUSTRATED PARTS LIST
 01.1 Page 1049
 Jul 01/03

PART NUMBER	AIRLINE PART NO.	FIG.	ITEM	TTL REQ
HL11VAZ6-4		1	804	5
		1	806	5
		10	330	10
		10	978	5
HL11VAZ6-5		1	690	4
		1	880	4
		4	579	1
		4	618	3
		10	832	4
		10	894	4
		12	35	4
		12	135	100
		4	432	1
		1	286	6
HL11VAZ6-9		10	528	6
HL11VAZ8-12		1	804	5
HL11V6-4		1	806	5
		10	330	10
		10	978	5
		1	690	4
HL11V6-5		1	880	4
		4	579	1
		4	618	3
		10	832	4
		10	894	4
		1	750	4
		6	180	6
		10	946	4
HL1187-5		1	429	2
		3	145A	16
		3	230A	2
		4	414	13
		11	390A	16
		11	480A	2
HL1187DUW6		1	338	9
		1	604	2
		2	465	2
		3	190	2
HL1187DUW6		10	580	9
		10	744	2
		11	440	2
HL1187DUW8		1	342	4
		1	600	4
		2	325	3
		10	584	4
		10	740	4

71-11-32

 ILLUSTRATED PARTS LIST
 01.1 Page 1050
 Jul 01/03


BOEING
 COMPONENT
 MAINTENANCE MANUAL

PART NUMBER	AIRLINE PART NO.	FIG.	ITEM	TTL REQ
HL1187DU5		4	690	8
		4	702	4
HL1187DU6		1	612	4
		3	145	16
		3	230B	2
		4	669	6
		10	752	4
		11	390	16
		11	480	2
HL12VAZ5-3		4	699	4
		6	175	6
HL12VAZ6-10		1	602	2
		10	742	2
HL12VAZ6-12		3	225	2
		11	475	2
HL12VAZ6-13		1	336	2
		1	390	2
		10	578	2
		10	630	2
HL12VAZ6-14		1	388	1
		10	628	1
HL12VAZ6-19		1	334	7
		10	576	7
HL12VAZ6-3		1	472	3
		10	274	3
HL12VAZ6-4		1	427	2
HL12VAZ6-5		4	402	3
HL12VAZ6-6		3	135	4
		3	175	2
		4	411	3
		11	380	4
		11	425	2
HL12VAZ6-7		4	405	2
HL12VAZ6-8		3	140	12
		4	408	4
		11	385	12
HL12VAZ8-10		1	598	4
HL12VAZ8-10		10	738	4
HL12VAZ8-19		1	340	4
		10	582	4
HL12VAZ8-23		2	320	3
HL13VAZ5-4		4	687	8

71-11-32

ILLUSTRATED PARTS LIST

01.1

Page 1051

Jul 01/03

PART NUMBER	AIRLINE PART NO.	FIG.	ITEM	TTL REQ
HL13VAZ6-10		1	606	1
		10	746	1
HL13VAZ6-18		1	308	1
		1	310	2
		10	550	1
		10	552	2
HL13VAZ6-19		1	306	1
		10	548	1
HL13VAZ6-20		1	638	2
		10	778	2
HL13VAZ6-21		1	594	1
		2	460	1
		10	734	1
HL13VAZ6-22		2	455	1
HL13VAZ6-4		1	674	72
		1	864	72
		10	816	72
		10	878	72
		12	20	72
HL13VAZ6-5		1	610	2
		4	399	1
		10	750	2
HL13VAZ6-7		4	663	6
HL13VAZ6-9		1	608	1
		10	748	1
HL13VAZ8-20		1	644	2
		2	305	2
		10	784	2
HL13VAZ8-21		2	310	2
HL13V10		1	606	1
		10	746	1

71-11-32

 ILLUSTRATED PARTS LIST
 01.1 Page 1052
 Jul 01/03


BOEING
 COMPONENT
 MAINTENANCE MANUAL

PART NUMBER	AIRLINE PART NO.	FIG.	ITEM	TTL REQ
HL13V18		1	308	1
		1	310	2
		10	550	1
		10	552	2
HL13V19		1	306	1
		10	548	1
HL13V20		1	638	2
		1	644	2
		2	305	2
		10	778	2
HL13V21		10	784	2
		1	594	1
		2	310	2
		2	460	1
HL13V22		10	734	1
		2	455	1
		1	674	72
		1	864	72
HL13V4		4	687	8
		10	816	72
		10	878	72
		1	610	2
HL13V5		4	399	1
		10	750	2
HL13V7		4	663	6
HL13V9		1	608	1
		10	748	1
HL19-5-5		4	147	1
HL19-5-5		9	55	1
HL19PB5-5		4	147	1
		9	55	1
HL440UC5-4		3	157	2
		11	405	2

71-11-32

ILLUSTRATED PARTS LIST

01.1

Page 1053

Jul 01/03

PART NUMBER	AIRLINE PART NO.	FIG.	ITEM	TTL REQ		
HL441UC5-4		3	157	2		
		11	405	2		
HL505-6-17		1	738	12		
		10	934	12		
HL523AZ5-18		5	130	1		
		1	372	49		
HL70-5		1	566	30		
		2	265	6		
		3	507	180		
		4	351	2		
		4	480	9		
		4	507	12		
		4	642	4		
		4	714	4		
		5	135	1		
		6	170	18		
		10	614	49		
		10	706	30		
		11	555Q	180		
		HL77-6		1	742	12
				10	938	12
		HL79-5		1	372	49
1	566			30		
2	265			6		
3	507			180		
4	351			2		
4	480			9		
4	507			12		
4	642			4		
4	714			4		
5	135			1		
6	170			18		
10	614	49				
10	706	30				
11	555Q	180				

71-11-32

 ILLUSTRATED PARTS LIST
 01.1 Page 1054
 Jul 01/03


BOEING
 COMPONENT
 MAINTENANCE MANUAL

PART NUMBER	AIRLINE PART NO.	FIG.	ITEM	TTL REQ	
HL79-6		1	312A	3	
		1	330	16	
		1	410	1	
		1	484	3	
		1	570	2	
		1	596	31	
		1	642	6	
		1	678A	138	
		1	694	9	
		1	837G	6	
		1	868A	138	
		1	884	9	
		2	340	4	
		2	420	8	
		3	85A	12	
		3	220	2	
		3	300	4	
		3	430	27	
		4	102	26	
	HL79-6		4	204	2
			4	465	11
			4	585A	2
			4	621A	3
			6	10	36
			10	212	1
			10	286	3
			10	351G	6
			10	554	3
			10	572	16
			10	710	2
			10	736	31
			10	782	6
			10	820	138
			10	836	9
		10	882	138	
		10	898	9	
		11	38	3	
		11	68	6	
		11	95	12	
		11	180	4	
		11	215	17	
		11	470	2	
		12	25	72	
		12	55	5	
		12	145	166	

71-11-32

ILLUSTRATED PARTS LIST

01.1

Page 1055

Jul 01/03

PART NUMBER	AIRLINE PART NO.	FIG.	ITEM	TTL REQ	
HL79-8		1	288	6	
		1	646	2	
		2	315	4	
		3	60	12	
		3	445	2	
		4	93	11	
		4	441	12	
		10	530	6	
		10	786	2	
		11	85	12	
		11	230	2	
	HL82-5APBW		1	374	14
			10	616	14
HL82-6APBW		1	332	28	
		1	392	3	
		2	480	2	
		10	574	28	
		10	632	3	
HL86DU5		4	690	8	
		4	702	4	
HL86PB5		1	750	4	
		6	180	6	
		10	946	4	
HL87-5		1	750	4	
		6	180	6	
		10	946	4	
HL87-6		1	429	2	
		3	145A	16	
		3	230A	2	
		4	414	13	
		11	390A	16	
		11	480A	2	
HL87DUW6		1	338	9	
		1	604	2	
		2	465	2	
		3	190	2	
		10	580	9	
		10	744	2	
		11	440	2	
HL87DUW8		1	342	4	
		1	600	4	
		2	325	3	
		10	584	4	
		10	740	4	

71-11-32

 ILLUSTRATED PARTS LIST
 01.1 Page 1056
 Jul 01/03


BOEING
 COMPONENT
 MAINTENANCE MANUAL

PART NUMBER	AIRLINE PART NO.	FIG.	ITEM	TTL REQ
HL87DU5		4	690	8
		4	702	4
HL87DU6		1	612	4
		3	145	16
		3	230B	2
		4	669	6
		10	752	4
		11	390	16
		11	480	2
HL97DU6		1	476	7
		1	768A	16
		1	770A	16
		1	812A	17
		1	814A	17
		10	278	7
		10	310A	32
		10	332A	34
		10	958A	16
		10	982A	17
H01-08BAC		1	567	2
		10	707	2
H01-3BAC		1	300	1
		1	305	1
		1	428	1
		1	436	2
		1	508	1
		1	522	2
H01-3BAC		1	532	4
		1	632	1
		10	230	1
		10	238	4
		10	542	1
		10	547	1
		10	648	1
		10	662	2
		10	672	4
		10	772	1
H01-4BAC		1	406	1
		4	270	1
		4	393	3
		10	208	1
H10-08BAC		4	156	1
		9	65	1

71-11-32

ILLUSTRATED PARTS LIST

01.1

Page 1057

Jul 01/03

PART NUMBER	AIRLINE PART NO.	FIG.	ITEM	TTL REQ	
H10-3BAC		1	622	3	
		1	734	5	
		2	185	1	
		2	210	1	
		3	25	2	
		3	535	2	
		4	135	1	
		4	153	1	
		4	468	2	
		9	20	1	
		10	762	3	
		10	930	5	
		11	71H	4	
		11	170	2	
	H10-4BAC		3	460	1
			4	447	1
		11	245	1	
H2850-1		4	246B	1	
H2876-3		4	372	3	
H2898-3		4	228	1	
H2899-5		4	237	1	
		4	486	2	
H31-06BAC		7	160	2	
H31-3BAC		1	792	8	
		1	794	8	
		6	135	14	
		10	322	16	
H31-3BAC		10	970	8	
H39953-3		1	538	5	
		10	678	5	
H4B6		3	10	2	
H5100-115-250		4	696	1	
H5100-125-330		4	693	1	
		4	694	2	
H5100-2-115-250		4	696	1	
	H5100-2-125-330	4	693	1	
		4	694	2	
H96-4		4	234	4	
		4	648	4	
H964		4	234	4	
		4	648	4	
JM44LC13WS6R		1	510	1	
		10	650	1	

71-11-32

 ILLUSTRATED PARTS LIST
 01.1 Page 1058
 Jul 01/03


BOEING
 COMPONENT
 MAINTENANCE MANUAL

PART NUMBER	AIRLINE PART NO.	FIG.	ITEM	TTL REQ
JM44SC17S16R		1	524	1
		10	664	1
KFN600-5		1	173S	2
		10	415S	2
KFN600-5S		1	173S	2
		10	415S	2
KFN600-6		1	189S	10
		10	431S	10
KFN600-6S		1	189S	10
		10	431S	10
K1001-3BAC		1	278	1
		10	520	1
K2000-3		3	495	2
		11	548	2
K3001-3BAC		4	534	1
K51601-4BAC		4	303	1
K51602-4BAC		1	37	2
		1	57	10
		1	59	2
		1	85	6
K51602-4BAC		1	87	4
		1	109	2
		1	125	4
		1	139	4
		1	153	2
		4	303A	1
		10	38	2
		10	66	10
		10	66A	2
		10	96	4
		10	96A	2
		10	120	2
		10	142	4
		10	164	4
		10	190	4

71-11-32

ILLUSTRATED PARTS LIST

01.1

Page 1059

Jul 01/03

PART NUMBER	AIRLINE PART NO.	FIG.	ITEM	TTL REQ
LER832-0604J		1	462	1
		10	264	1
L8006-15		1	322	4
		2	475	1
		10	564	4
L8006K6		3	425	3
		11	210	1
L801-5K4		4	687	8
L801-6K10		1	606	1
		10	746	1
L801-6K18		1	308	1
		1	310	2
		10	550	1
		10	552	2
L801-6K19		1	306	1
		10	548	1
L801-6K20		1	638	2
		10	778	2
L801-6K21		1	594	1
		2	460	1
		10	734	1
L801-6K22		2	455	1
L801-6K4		1	674	72
		1	864	72
		10	816	72
		10	878	72
		12	20	72
L801-6K5		1	610	2
		4	399	1
L801-6K5		10	750	2
L801-6K7		4	663	6
L801-6K9		1	608	1
		10	748	1

71-11-32

 ILLUSTRATED PARTS LIST
 01.1 Page 1060
 Jul 01/03


BOEING
 COMPONENT
 MAINTENANCE MANUAL

PART NUMBER	AIRLINE PART NO.	FIG.	ITEM	TTL REQ
L801-8K20		1	644	2
		2	305	2
		10	784	2
L801-8K21		2	310	2
L802-5K3		4	699	4
L802-6K10		6	175	6
		1	602	2
		10	742	2
L802-6K12		3	225	2
L802-6K13		11	475	2
		1	336	2
		1	390	2
L802-6K14		10	578	2
		10	630	2
		1	388	1
L802-6K19		10	628	1
L802-6K3		1	334	7
		10	576	7
		1	472	3
L802-6K4		10	274	3
L802-6K5		1	427	2
L802-6K6		4	402	3
L802-6K7		3	135	4
		3	175	2
		4	411	3
		11	380	4
		11	425	2
L802-6K8		4	405	2
L802-8K10		3	140	12
		4	408	4
		11	385	12
L802-8K19		1	598	4
L802-8K23		10	738	4
		1	340	4
		10	582	4
L803-5K19		2	320	3
L803-5K3		2	260	6
		4	477	9

71-11-32

 ILLUSTRATED PARTS LIST
 01.1 Page 1060A
 Jul 01/03

PART NUMBER	AIRLINE PART NO.	FIG.	ITEM	TTL REQ
L803-5K7		4	504	12
L803-6-4		1	804	5
L803-6-4		1	806	5
		10	330	10
		10	978	5
L803-6-5		1	690	4
		1	880	4
		4	579	1
		4	618	3
		10	832	4
		10	894	4
L803-6K12		1	328	2
		10	570	2
L803-6K13		1	326	2
		10	568	2
L803-6K19		1	480	3
		1	760	16
		1	762	16
		10	282	3
		10	306	32
		10	954	16
L803-6K2		4	459	1
L803-6K3		1	676	66
		1	808	12
		1	810	12
		1	866	66
		4	99	12
		4	462	2
		10	331	24
		10	818	66
		10	880	66
		10	980	12
		12	140	66
L803-6K5		12	35	4
		12	135	100
L803-6K9		4	432	1
L803-8K12		1	286	6
		10	528	6
L804-5K18		5	130	1
L8055A4		3	157	2
		11	405	2
L839-5-5		4	147	1
		9	55	1

71-11-32

 ILLUSTRATED PARTS LIST
 01.1 Page 1060B
 Jul 01/03


BOEING
 COMPONENT
 MAINTENANCE MANUAL

PART NUMBER	AIRLINE PART NO.	FIG.	ITEM	TTL REQ
MF1001-08BAC		1	282	11
		2	385	1
		2	440	3
		10	524	11
MF1001-3BAC		2	150	14
MF1001-4BAC		2	155	11
MF53050-3DL		3	615	6
		11	614	6
		2	150	14
		3	350	4
MF6000-3		3	350	4
MK1000-3BAC		2	525	3
MK1001-08BAC		2	500	2
		4	612	1
		7	170A	2
		1	492	4
MK2001-06BAC		1	492	4
MK2001-3BAC		2	280	3
		10	294	4
		2	380	1
		4	495	6
MK3001-08BAC		4	495	6
MK3001-4BAC		4	531	3
MK4001-3BAC		4	567	5
MS16562-3		4	567	5
MS16562-3		4	651	4
MS20253P4-270		4	651	4
MS20253P4-270		4	654	2
MS20257XC5-300		4	654	2
MS20257XC5-300		4	675	1
MS20257YC5-300		4	675	1
MS20257YC5-300		4	675E	1
MS20427M4		1	926	2
MS20427M4		4	753M	2
		1	924	2
		4	753G	2
		7	180	7
MS20427M5		7	180	7
MS20615-3M		7	265	7
		7	295	5
		7	295	5
		7	320	5
		7	335	5

71-11-32

ILLUSTRATED PARTS LIST

01.1 Page 1060C

Jul 01/03

PART NUMBER	AIRLINE PART NO.	FIG.	ITEM	TTL REQ
MS20615-5MP		2	20	6
		4	186	5
		4	538	1
MS21042L3		4	474	3
MS21140-0611P		4	600A	1
MS21141-0502P		2	530A	3
MS21141-0503P		4	361	7
MS21141-0504P		4	358	2
MS21141-0506P		4	361G	1
MS21141-0604P		4	420	7
MS21141-0605P		11	207	8
MS21141-0606P		4	417	19
		11	212	2
MS21141-0612P		4	597	2
MS21209C0820P		1	660	2
		10	800	2
MS21209F4-10P		3	90	6
		11	97	6
MS21209F8-10		3	365	1
		11	50	1
MS21921-6J		1	448	1
		1	456	2
		10	250	1
		10	258	2
MS90353-0603		1	860A	4
		10	874A	4
M13640-048		1	38	4
		1	56	20
		1	58	4
		1	84	4
		1	86	2
		1	110	2
		1	126	8
		1	140	8
		1	154	4
		10	42	4
		10	70	20
		10	70A	4
		10	88	4
		10	88A	2
10	112	2		
10	136	8		
10	158	8		
10	184	8		

71-11-32

 ILLUSTRATED PARTS LIST
 01.1 Page 1060D
 Jul 01/03


BOEING
 COMPONENT
 MAINTENANCE MANUAL

PART NUMBER	AIRLINE PART NO.	FIG.	ITEM	TTL REQ
NAS1398CW4		4	762	9
NAS1398CW5-2		1	548	1
		10	688	1
NAS1398CW5-3		1	378	1
		1	546	1
		1	582	1
		4	588	1
		10	620	1
		10	686	1
		10	722	1
NAS1398CW5-4		4	591	1
NAS1398CW6-11		4	81	3
NAS1398CW6-12		4	72	3
NAS1398CW6-13		4	75	4
NAS1398CW6-3		1	376	1
NAS1398CW6-3		10	618	1
NAS1398CW6-4		4	294	5
		4	327	4
NAS1398CW6-5		3	485	2
		4	51	3
		4	54	3
		4	279	10
		4	321	11
		11	542	2
NAS1398CW6-6		4	30	5
		4	33	13
		4	282	2
		4	324	1
NAS1398CW6-7		4	36	1
NAS1398CW6-8		4	57	13
		4	60	1
		4	285	4
		4	318	5
		4	423	1

71-11-32

ILLUSTRATED PARTS LIST

01.1 Page 1060E

Jul 01/03

PART NUMBER	AIRLINE PART NO.	FIG.	ITEM	TTL REQ
NAS1398CW6-9		4	39	2
		4	42	9
		4	276	4
		4	315	4
NAS1398CW8-12		4	198	1
NAS1398CW8-13		4	27	3
NAS1398CW8-14		4	24	1
NAS1398CW8-7		4	288	3
		4	333	3
NAS1398CW8-9		4	291	1
		4	330	1
NAS1399CW6-11		4	84	1
NAS1399CW6-12		4	69	1
NAS1399CW6-13		4	78	4
NAS1399CW6-8		4	63	9
		4	66	1
NAS1399CW6-9		4	45	1
NAS1716C40M		1	420	1
		10	222	1
NAS1716C48M		1	418	1
		10	220	1
NAS1805-4N		1	636	2
		10	776	2
NAS42DD6-19		1	512	1
		10	652	1
NAS43DD3-8		3	180	2
NAS43DD3-8		11	430	2
NAS509-4C		1	912	2
		4	738	2
NAS514P1032-12P		1	784A	8
		1	786A	8
		10	318A	16
		10	966A	8

71-11-32

 ILLUSTRATED PARTS LIST
 01.1 Page 1060F
 Jul 01/03


BOEING
 COMPONENT
 MAINTENANCE MANUAL

PART NUMBER	AIRLINE PART NO.	FIG.	ITEM	TTL REQ	
NAS514P1032-8P		1	534	5	
		1	730	5	
		1	784	8	
		1	786	8	
		10	318	16	
		10	674	5	
		10	926	5	
		10	966	8	
	NAS620C10L		1	536	5
			10	676	5
NAS623-3-20		1	298	1	
		1	302	1	
		10	540	1	
		10	544	1	
NAS623-3-21		1	296	1	
		10	538	1	
NAS623-3-26		2	180	1	
		4	123	1	
		9	10	1	
		3	15A	2	
NAS6703A5		11	160A	2	
		2	200	1	
NAS6703H12		1	434	2	
NAS6703U4		1	414	2	
NM102701300		10	216	2	
		1	836	2	
NS103190-048		10	350	2	
		1	196	1	
NS103191SE02-2		1	204	1	
		1	214	1	
		1	224	1	
		1	234	1	
		1	244	1	
		3	390	12	
		10	438	1	
		10	446	1	
		10	456	1	
		10	466	1	
	NS103191SE02-2		10	476	1
			10	486	1
			11	530	12
			1	280	12
NS103191SE02-3		10	522	12	

71-11-32

 ILLUSTRATED PARTS LIST
 01.1 Page 1060G
 Jul 01/03

PART NUMBER	AIRLINE PART NO.	FIG.	ITEM	TTL REQ
NS103193SE02		6	155	4
NS103193SE048		1	163A	54
		10	404A	54
NS103194SE02-2		1	180	1
		1	188	1
		1	206	1
		1	216	1
		1	226	1
		1	236	1
		1	246	1
		10	422	1
		10	430	1
		10	448	1
		10	458	1
		10	468	1
		10	478	1
		10	488	1
NS103195SE02		4	534	1
NS103197-02		2	525	3
NS103197SE82		2	500	2
		4	612	1
NS103198SE02		1	492	4
		2	280	3
		10	294	4
NS103198SE62		7	170A	2
NS103199SE048		4	495	6
NS103199SE82		2	380	1
NS103200SE02		4	531	3
		4	567	5
NS103202SE02		1	278	1
		10	520	1
NS103203-02		3	600	32
		11	70E	32
NS103203SE02		2	160	2
		3	275	2
		6	150	8
		11	515	2
NS103203SE048		4	303B	1
NS103218SE02		2	150	14
NS103218SE048		2	155	11
NS103218SE048		3	615	6
		11	614	6

71-11-32

 ILLUSTRATED PARTS LIST
 01.1 Page 1060H
 Jul 01/03


BOEING
 COMPONENT
 MAINTENANCE MANUAL

PART NUMBER	AIRLINE PART NO.	FIG.	ITEM	TTL REQ
NS103218SE82		1	282	11
		2	385	1
		2	440	3
NS202101-02		10	524	11
		1	622	3
		1	734	5
		2	185	1
		2	210	1
		3	25	2
		3	535	2
		4	135	1
		4	153	1
		4	468	2
		9	20	1
		10	762	3
		10	930	5
		11	71H	4
NS202101-048		11	170	2
		3	460	1
		4	447	1
NS202101-82		11	245	1
		4	156	1
NS202101SE02		9	65	1
		1	300	1
		1	305	1
		1	428	1
		1	436	2
		1	508	1
		1	522	2
		1	532	4
		1	632	1
		10	230	1
		10	238	4
		10	542	1
		10	547	1
		10	648	1
		10	662	2
		10	672	4
		10	772	1
NS202101SE82		1	567	2
		10	707	2
NS202101S02		1	792	8
		1	794	8
NS202101S02		6	135	14
		10	322	16
		10	970	8

71-11-32

ILLUSTRATED PARTS LIST

01.1 Page 1060I

Jul 01/03

PART NUMBER	AIRLINE PART NO.	FIG.	ITEM	TTL REQ
NS202101S62		7	160	2
NS202439-048		4	303	1
NS202476-048		1	37	2
		1	57	10
		1	59	2
		1	85	6
		1	87	4
		1	109	2
		1	125	4
		1	139	4
		1	153	2
		4	303A	1
		10	38	2
		10	66	10
		10	66A	2
		10	96	4
		10	96A	2
		10	120	2
		10	142	4
		10	164	4
		10	190	4
NS202495-048		1	163	54
		10	404	54
PDVC1137300		1	414	2
		10	216	2
PLT1001-5-2		2	530	3
RMA9201M3		2	525	3
RMA9207-3		3	495	2
		11	548	2
RMF9201-3		3	600	32
		11	70E	32
RMF9212-4		1	836	2
		10	350	2
RMLH22-4		4	234	4
		4	648	4
RMLH224		4	234	4
		4	648	4

71-11-32

 ILLUSTRATED PARTS LIST
 01.1 Page 1060J
 Jul 01/03


BOEING
 COMPONENT
 MAINTENANCE MANUAL

PART NUMBER	AIRLINE PART NO.	FIG.	ITEM	TTL REQ
RMLH9075-3W		1	622	3
		1	734	5
		2	185	1
RMLH9075-3W		2	210	1
		3	25	2
		3	535	2
		4	135	1
		4	153	1
		4	468	2
		9	20	1
		10	762	3
		10	930	5
		11	71H	4
		11	170	2
RMLH9075-4W		3	460	1
		4	447	1
		11	245	1
RMLH9075-82W		4	156	1
		9	65	1
		3	10	2
RR2002-4B6		3	10	2
RV541A3C		4	300A	1
R8918M0150AAN		1	464	1
		10	266	1
R89180150AAN		1	464	1
		10	266	1
		1	538	5
SL705093		10	678	5
		1	538	5
SL7059C1032		10	678	5
		3	10	2
		1	514	1
SZ6924-4B6		10	654	1
S258T16		1	470	1
S315T106-3		10	272	1
		7	10A	1
S315T107-180		7	10A	1

71-11-32

 ILLUSTRATED PARTS LIST
 01.1 Page 1060K
 Jul 01/03

PART NUMBER	AIRLINE PART NO.	FIG.	ITEM	TTL REQ
S315T107-182		7	75A	1
S315T107-183		7	80A	1
S315T107-51		7	75	1
S315T107-52		7	80	1
S315T107-53		7	25	1
S315T107-54		7	30	1
S315T107-55		7	35	1
S315T107-56		7	40	1
S315T107-57		7	45	1
S315T107-58		7	50	1
S315T107-59		7	55	1
S315T107-60		7	60	1
S315T107-61		7	65	1
S315T107-62		7	70	1
S315T107-63		7	15	1
S315T107-64		7	20	1
S315T107-65		7	10	1
S315T107-67		4	729	1
S315T110-2		4	246	1
S332T308-1		1	800	1
		1	802	1
		10	326	2
		10	974	1
S332T308-4		1	800A	1
		1	802A	1
		10	328	2
		10	976	1
S369WH6		1	510	1
		10	650	1
S386H16		1	524	1
		10	664	1
S500-6		10	240B	10
TA12C32WS6		1	510	1
		10	650	1

71-11-32

 ILLUSTRATED PARTS LIST
 01.1 Page 1060L
 Jul 01/03


BOEING
 COMPONENT
 MAINTENANCE MANUAL

PART NUMBER	AIRLINE PART NO.	FIG.	ITEM	TTL REQ		
TA12C34S16		1	524	1		
		10	664	1		
TA4C44S16T		1	514	1		
		10	654	1		
T6C1032J		1	792	8		
		1	794	8		
		6	135	14		
		10	322	16		
		10	970	8		
T6C1032JM		1	300	1		
		1	305	1		
		1	428	1		
		1	436	2		
		1	508	1		
T6C1032JM		1	522	2		
		1	532	4		
		1	632	1		
		10	230	1		
		10	238	4		
		10	542	1		
		10	547	1		
		10	648	1		
		10	662	2		
		10	672	4		
		10	772	1		
		T6C428JM		1	406	1
				4	270	1
4	393			3		
10	208			1		
T6C632J		7	160	2		
T6C832JM		1	567	2		
		10	707	2		
T6S1032J		1	622	3		
		1	734	5		
		2	185	1		
		2	210	1		
		3	25	2		
		3	535	2		
		4	135	1		
		4	153	1		
		4	468	2		
		9	20	1		
		10	762	3		
10	930	5				
		11	71H	4		
		11	170	2		

71-11-32

ILLUSTRATED PARTS LIST

01.1 Page 1060M

Jul 01/03

PART NUMBER	AIRLINE PART NO.	FIG.	ITEM	TTL REQ
T6S428J		3	460	1
		4	447	1
		11	245	1
T6S832J		4	156	1
		9	65	1
		2	525	3
T8076S1032		2	500	2
T8080C832		4	612	1
T8081C1032		1	492	4
		2	280	3
		10	294	4
T8081C632		7	170A	2
T8082C428		4	495	6
T8082C832		2	380	1
T8083C1032		4	531	3
		4	567	5
		1	278	1
T8089C1032		10	520	1
T8091S1032		3	600	32
		11	70E	32
		2	160	2
T8092C1032		3	275	2
		6	150	8
		11	515	2
		4	303B	1
		1	37	2
		1	57	10
T8092C428 T8092C428CD		1	59	2
		1	85	6
		1	87	4
		1	109	2
		1	125	4
		1	139	4
		1	153	2
		4	303A	1
		10	38	2
		10	66	10
		10	66A	2
		10	96	4
		10	96A	2
		10	120	2
		10	142	4
		10	164	4
10	190	4		

71-11-32

 ILLUSTRATED PARTS LIST
 01.1 Page 1060N
 Jul 01/03


BOEING
 COMPONENT
 MAINTENANCE MANUAL

PART NUMBER	AIRLINE PART NO.	FIG.	ITEM	TTL REQ
T8109S1032		3	495	2
		11	548	2
T8113C428C		3	315	2
		11	35	2
T8113C632C		7	170	2
T8113C832C		4	615	1
T8119C3		4	534	1
T8125C08C		1	282	11
		2	385	1
		2	440	3
		10	524	11
T8125C3C		2	150	14
T8125C4C		2	155	11
T8125C4C		3	615	6
		11	614	6
US2103-06JL		1	542	1
		10	682	1
US2113-0604J		1	462	1
		10	264	1
VAL280094		4	234	4
		4	648	4
VN101A1-02		3	495	2
		11	548	2
VN102D1-02		1	278	1
		10	520	1
VN103D1-02		4	534	1
VN151D1-048		3	315	2
		11	35	2
VN151D1-62		7	170	2
VN151D1-82		4	615	1
VN152A1-02		3	600	32
		11	70E	32
VN152D1-02		2	160	2
		3	275	2
		6	150	8
		11	515	2

71-11-32

 ILLUSTRATED PARTS LIST
 01.1 Page 10600
 Jul 01/03

PART NUMBER	AIRLINE PART NO.	FIG.	ITEM	TTL REQ
VN152D1-048		4	303B	1
VN201D1-02		1	492	4
		2	280	3
		10	294	4
VN201D1-62L		7	170A	2
VN202A1-02		2	525	3
VN202D1-82		2	500	2
		4	612	1
VN203D1-048		4	495	6
VN203D1-82		2	380	1
VN204D1-02		4	531	3
		4	567	5
VN252D02		2	150	14
VN252D048		2	155	11
		3	615	6
		11	614	6
VN252D82		1	282	11
		2	385	1
VN252D82		2	440	3
		10	524	11
VN303A02		1	622	3
		1	734	5
		2	185	1
		2	210	1
		3	25	2
		3	535	2
		4	135	1
		4	153	1
		4	468	2
		9	20	1
		10	762	3
		10	930	5
		11	71H	4
		11	170	2

71-11-32

 ILLUSTRATED PARTS LIST
 01.1 Page 1060P
 Jul 01/03


BOEING
 COMPONENT
 MAINTENANCE MANUAL

PART NUMBER	AIRLINE PART NO.	FIG.	ITEM	TTL REQ
VN303A048		3	460	1
		4	447	1
		11	245	1
VN303A82		4	156	1
		9	65	1
VN303B02		1	792	8
		1	794	8
		6	135	14
		10	322	16
		10	970	8
		7	160	2
VN303B62 VN303D02		1	300	1
		1	305	1
		1	428	1
		1	436	2
		1	508	1
		1	522	2
		1	532	4
		1	632	1
		10	230	1
		10	238	4
		10	542	1
		10	547	1
		10	648	1
		10	662	2
		10	672	4
		10	772	1
		VN303D048		1
4	270			1
VN303D048		4	393	3
		10	208	1
VN303D82		1	567	2
		10	707	2

71-11-32

 ILLUSTRATED PARTS LIST
 01.1 Page 1060Q
 Jul 01/03

PART NUMBER	AIRLINE PART NO.	FIG.	ITEM	TTL REQ
WC130-5-4		3	157	2
		11	405	2
025029-06		10	240B	10
101LH9075-3W		1	792	8
		1	794	8
		6	135	14
		10	322	16
		10	970	8
		7	160	2
		4	303	1
		4	534	1
		1	37	2
		1	57	10
		1	59	2
		1	85	6
		1	87	4
		1	109	2
101LH9075-62W		1	125	4
		1	139	4
		1	153	2
		4	303A	1
		10	38	2
		10	66	10
		10	66A	2
		10	96	4
		10	96A	2
		10	120	2
		10	142	4
		10	164	4
		10	190	4
		102F9201-4		1
1	284			1
10	500			1
10	526			1
102F9207P3		11	65	4
		1	39	2
		1	57G	10
		1	59G	2
		1	85G	6
		1	87G	4
		1	111	2
		1	111	2
102F9207P4		1	111	2

71-11-32

 ILLUSTRATED PARTS LIST
 01.1 Page 1060R
 Jul 01/03


BOEING
 COMPONENT
 MAINTENANCE MANUAL

PART NUMBER	AIRLINE PART NO.	FIG.	ITEM	TTL REQ	
102F9207P4		1	127	4	
		1	141	4	
		1	155	2	
		10	34	2	
		10	62	10	
		10	62A	2	
		10	92	4	
		10	92A	2	
		10	116	2	
		10	138	4	
		10	160	4	
		10	186	4	
	104F9213-2-3		1	196	1
			1	204	1
		1	214	1	
		1	224	1	
		1	234	1	
		1	244	1	
		3	390	12	
		10	438	1	
		10	446	1	
		10	456	1	
		10	466	1	
		10	476	1	
		10	486	1	
		11	530	12	
104F9213-3-3		1	280	12	
		10	522	12	
104F9216-2-3		1	180	1	
		1	188	1	
104F9216-2-3		1	206	1	
		1	216	1	
		1	226	1	
		1	236	1	
		1	246	1	
		10	422	1	
		10	430	1	
		10	448	1	
		10	458	1	
		10	468	1	
		10	478	1	
		10	488	1	
	109A9201-3		1	278	1
			10	520	1
109A9201M82		2	500	2	
		4	612	1	
109A9205M4		4	495	6	

71-11-32

 ILLUSTRATED PARTS LIST
 01.1 Page 1060S
 Jul 01/03

PART NUMBER	AIRLINE PART NO.	FIG.	ITEM	TTL REQ
109A9205M82		2	380	1
109A9207M3		1	492	4
		2	280	3
		10	294	4
109A9207M62		7	170A	2
109A9209M3		4	531	3
		4	567	5
109F177-3		4	528	3
		4	564	1
109F177-4		4	492	6
		4	513	3
109F9201-3		2	160	2
		3	275	2
		6	150	8
		11	515	2
109F9201-4		4	303B	1
109F9201M3		2	150	14
109F9201M4		2	155	11
		3	615	6
		11	614	6
109F9201M82		1	282	11
		2	385	1
		2	440	3
		10	524	11
109F9207-4		3	315	2
		11	35	2
109F9207-62		7	170	2
109F9207-82		4	615	1
109LH9031-3		1	538	5
		10	678	5

71-11-32

 ILLUSTRATED PARTS LIST
 01.1 Page 1060T
 Jul 01/03


BOEING
 COMPONENT
 MAINTENANCE MANUAL

PART NUMBER	AIRLINE PART NO.	FIG.	ITEM	TTL REQ
109LH90313		1	538	5
		10	678	5
109LH9075-3W		1	300	1
		1	305	1
		1	428	1
		1	436	2
		1	508	1
		1	522	2
		1	532	4
		1	632	1
		10	230	1
		10	238	4
		10	542	1
		10	547	1
		10	648	1
		10	662	2
		10	672	4
		10	772	1
109LH9075-4W		1	406	1
		4	270	1
		4	393	3
		10	208	1
109LH9075-82W		1	567	2
		10	707	2
14J29300		1	414	2
		10	216	2
2-01027-6H		1	450	1
		10	252	1
2-010890604J		1	462	1
		10	264	1
2-02813-04JL		1	542	1
		10	682	1
2-02903-06H		1	446	1
		1	454	2
		10	248	1
		10	256	2

71-11-32

 ILLUSTRATED PARTS LIST
 01.1 Page 1060U
 Jul 01/03

PART NUMBER	AIRLINE PART NO.	FIG.	ITEM	TTL REQ
2ASFPD6-8		10	754A	2
2ASPPD6-18		1	572	6
		10	712	6
2ASPPSD6		10	756A	2
315T1448-10		4	249A	1
315T1448-2		4	375	2
		4	376	1
315T1448-3		4	249	1
315T1448-7		4	376A	1
315T1450-2		1	920	1
		4	750	1
315T1451-2		1	922	1
		4	753	1
315T1451-3		1	932	1
		4	754M	1
315T1451-4		1	930	1
		4	754G	1
315T1451-5		1	928	1
		4	754	1
315T1452-2		1	916	1
		4	744	1
315T3002-100		1	15E	RF
		10	15A	RF
315T3002-16		1	652	1
		10	792	1
315T3002-5094		10	22	1
315T3002-5096		10	26	1
315T3002-5097		10	20	1
315T3002-5098		10	22A	1
315T3002-5099		10	24	1
315T3002-5100		10	26A	1
315T3002-63		1	1	RF
315T3002-64		1	5	RF

71-11-32

 ILLUSTRATED PARTS LIST
 01.1 Page 1060V
 Jul 01/03


BOEING
 COMPONENT
 MAINTENANCE MANUAL

PART NUMBER	AIRLINE PART NO.	FIG.	ITEM	TTL REQ
315T3002-65		1	10	RF
315T3002-66		1	15	RF
315T3002-67		1	1A	RF
		10	1	RF
315T3002-68		1	5A	RF
		10	5	RF
315T3002-69		1	10A	RF
		10	10	RF
315T3002-70		1	15A	RF
		10	15	RF
315T3002-7001		10	380	1
315T3002-7002		10	382	1
315T3002-71		1	1B	RF
315T3002-73		1	1C	RF
315T3002-75		1	10B	RF
315T3002-77		1	10C	RF
315T3002-79		1	1D	RF
315T3002-81		1	10D	RF
315T3002-88		1	15D	RF
315T3002-98		1	5D	RF
		10	5A	RF
315T3007-1		1	384A	1
315T3007-2		1	386A	1
315T3007-3		1	384	1
		10	626	1
315T3007-4		1	386	1
		10	202	1
315T3008-1		1	578	1
		10	718	1
315T3008-2		1	580	1
		10	720	1
315T3100-3		1	845	1
315T3100-43		1	824A	1
315T3100-44		1	826A	1
315T3100-45		1	845A	1
315T3100-46		1	845H	1
315T3100-5001		1	828A	1
315T3100-5002		1	830A	1
315T3100-5003		1	828B	1
315T3100-5004		1	830B	1
315T3100-5011		1	828	1
		10	342	1

71-11-32

 ILLUSTRATED PARTS LIST
 01.1 Page 1060W
 Jul 01/03

PART NUMBER	AIRLINE PART NO.	FIG.	ITEM	TTL REQ
315T3100-5012		1	830	1
		10	344	1
315T3100-57		1	824	1
		10	338	1
315T3100-58		1	826	1
		10	340	1
315T3100-59		1	840	1
		10	354	1
315T3100-60		1	846	1
		10	360	1
315T3100-63		1	842	1
		10	356	1
315T3100-64		1	848	1
		10	362	1
315T3100-65		1	844	1
315T3100-65		10	358	1
315T3100-66		1	850	1
		10	364	1
315T3100-75		1	845B	1
		10	359	1
315T3100-76		1	845J	1
		10	359G	1
315T3101-1		1	851	1
		10	365	1
315T3101-170		1	851J	1
		10	365G	1
315T3101-2		1	851G	1
315T3114-20		1	820	1
		10	336	1
315T3120-15		1	468	1
		10	270	1
315T3120-17		1	468B	1
		10	270A	1
315T3121-1		1	744	1
		10	940	1

71-11-32

 ILLUSTRATED PARTS LIST
 01.1 Page 1060X
 Jul 01/03


BOEING
 COMPONENT
 MAINTENANCE MANUAL

PART NUMBER	AIRLINE PART NO.	FIG.	ITEM	TTL REQ
315T3121-2		1	754	1
		10	950	1
315T3121-7		1	752	1
		10	948	1
315T3122-1		1	728	1
		10	924	1
315T3122-3		1	740	12
		10	936	12
315T3123-24		1	818	1
		10	334	1
315T3123-37		1	816	1
		10	984	1
315T3124-5		1	756	1
		10	952	1
315T3124-6		1	758	1
		10	304	1
315T3124-7		1	796	2
		1	798	1
		10	324	3
		10	972	2
315T3125-16		6	140	1
315T3125-2		6	195	1
315T3125-3		6	200	1
315T3125-31		6	140B	1
315T3126-1		1	822	1
		6	1	RF
		10	986	1
315T3126-10		6	25	2
315T3126-11		6	220	1
315T3126-12		6	225	1
315T3126-15		6	55	2
315T3126-16		6	60	2

71-11-32

 ILLUSTRATED PARTS LIST
 01.1 Page 1060Y
 Jul 01/03

PART NUMBER	AIRLINE PART NO.	FIG.	ITEM	TTL REQ
315T3126-17		6	65	2
315T3126-18		6	70	2
315T3126-19		6	75	2
315T3126-2		6	100	1
315T3126-20		6	30	2
315T3126-21		6	85	1
315T3126-22		6	230	2
315T3126-25		6	100A	1
315T3126-3		6	35	2
315T3126-33		6	100B	1
315T3126-34		6	100C	1
315T3126-4		6	40	2
315T3126-5		6	45	2
315T3126-5001		6	3	1
315T3126-5002		6	3A	1
315T3126-5003		6	3B	1
315T3126-5004		6	3C	1
315T3126-5005		6	3D	1
315T3126-6		6	50	2
315T3126-7		6	15	1
315T3126-8		6	20	1
315T3126-9		6	80	1
315T3127-12		1	478A	1
		10	280A	1
315T3127-13		10	280B	1
315T3127-7		1	478	1
315T3128-11		1	444	1
		10	246	1
315T3128-14		1	402	1
315T3128-17		10	204	1
315T3128-25		10	254A	1
315T3128-3		1	452	1
315T3128-3		10	254	1
315T3129-2		1	466	1
		10	268	1

71-11-32

 ILLUSTRATED PARTS LIST
 01.1 Page 1060Z
 Jul 01/03


BOEING
 COMPONENT
 MAINTENANCE MANUAL

PART NUMBER	AIRLINE PART NO.	FIG.	ITEM	TTL REQ
315T3130-10		2	270	3
315T3130-11		1	496	1
		10	298	1
315T3130-12		1	488	1
		10	290	1
315T3130-16		1	431	1
315T3130-2		1	486	1
		10	288	1
315T3130-7		1	494	1
		10	296	1
315T3130-9		2	285	3
315T3135-1		1	772	2
		1	774	2
		10	312	4
		10	960	2
315T3135-2		1	776	1
		1	778	1
		10	314	2
		10	962	1
315T3135-3		1	780	1
		1	782	1
		10	316	2
		10	964	1
315T3136-1		6	215	1
315T3137-1		6	90	1
315T3137-2		6	95	1
315T3137-3		6	90B	1
315T3137-4		6	95B	1
315T3201-10		3	585	1
		11	69U	1
315T3201-11		3	590	1
315T3201-12		3	560	1
315T3201-13		3	565	1
315T3201-14		3	570	1
315T3201-20		3	590A	1
		11	70	1
315T3201-25		3	565A	1
		11	72E	1
315T3201-26		3	570A	1
		11	72K	1
315T3201-27		3	590B	1
		11	70A	1
315T3201-28		3	510B	1
		11	70J	1

71-11-32

ILLUSTRATED PARTS LIST

01.1

Page 1061

Jul 01/03

PART NUMBER	AIRLINE PART NO.	FIG.	ITEM	TTL REQ
315T3201-29		3	515B	1
		11	70P	1
315T3201-30		3	555B	1
		11	71V	1
315T3201-31		3	560B	1
		11	72	1
315T3201-5		3	510	1
315T3201-6		3	515	1
315T3201-7		3	580	5
		11	69Q	5
315T3201-8		3	550	1
315T3201-9		3	555	1
315T3202-100		3	505A	1
		11	554	1
315T3202-101		3	508A	1
		11	556	1
315T3202-102		3	509A	1
		11	556J	1
315T3202-104		3	504	1
		11	553	1
315T3202-114		11	39	1
315T3202-115		10	300A	1
		11	1	RF
315T3202-116		10	302A	1
		11	5	RF
315T3202-156		11	69	2
315T3202-43		3	240	4
		11	490	4
315T3202-44		3	245	4
		11	495	4
315T3202-48		3	505	1

71-11-32

 ILLUSTRATED PARTS LIST
 01.1 Page 1062
 Jul 01/03


BOEING
 COMPONENT
 MAINTENANCE MANUAL

PART NUMBER	AIRLINE PART NO.	FIG.	ITEM	TTL REQ
315T3202-5001		3	30	1
315T3202-5002		3	35	1
315T3202-5003		3	30A	1
315T3202-5004		3	35A	1
315T3202-5005		3	30B	1
315T3202-5006		3	35B	1
315T3202-5008		3	35C	1
315T3202-5009		3	30C	1
315T3202-5010		3	35D	1
315T3202-5011		3	30D	1
315T3202-5012		3	35E	1
315T3202-5013		3	30E	1
315T3202-5017		3	30F	1
315T3202-5018		3	35F	1
315T3202-5019		3	30G	1
315T3202-5023		3	30J	1
315T3202-5024		3	35H	1
315T3202-5027		11	10	1
315T3202-5028		11	15	1
315T3202-5029		11	10A	1
315T3202-5030		11	15A	1
315T3202-5033		3	30K	1
315T3202-5034		3	35J	1
315T3202-5035		11	10B	1
315T3202-5036		11	15B	1
315T3202-5037		3	30L	1
315T3202-5038		3	35K	1
315T3202-5044		11	15C	1
315T3202-5051		11	10C	1
315T3202-5052		11	15D	1
315T3202-5053		11	10D	1
315T3202-5054		11	15E	1
315T3202-5071		11	10E	1
315T3202-5072		11	15F	1
315T3202-5073		11	10F	1

71-11-32

 ILLUSTRATED PARTS LIST
 01.1 Page 1062A
 Jul 01/03

PART NUMBER	AIRLINE PART NO.	FIG.	ITEM	TTL REQ
315T3202-5074		11	15G	1
315T3202-59		3	508	1
315T3202-60		3	509	1
315T3202-7001		11	150	1
315T3202-7002		11	155	1
315T3202-73		1	498	1
		3	1	RF
315T3202-74		1	500	1
		3	5	RF
		10	302	1
315T3203-1		1	712	1
		10	854	1
315T3203-2		1	714	1
315T3203-2		10	856	1
315T3203-3		1	902	1
		10	916	1
315T3203-4		1	904	1
		10	918	1
315T3204-21		1	852A	1
		10	866A	1
		12	1A	RF
315T3204-22		1	854A	1
		10	868A	1
		12	5	RF
315T3204-5		1	852	1
		10	866	1
315T3204-5001		1	856	1
		10	870	1
315T3204-5002		1	858	1
		10	872	1
315T3204-5003		1	856A	1
		10	870A	1
315T3204-5004		1	858A	1
		10	872A	1
315T3204-5005		1	856B	1
		10	870B	1
315T3204-5006		1	858B	1
		10	872B	1

71-11-32

 ILLUSTRATED PARTS LIST
 01.1 Page 1062B
 Jul 01/03


BOEING
 COMPONENT
 MAINTENANCE MANUAL

PART NUMBER	AIRLINE PART NO.	FIG.	ITEM	TTL REQ
315T3204-5007		1	856C	1
		10	870C	1
315T3204-5008		1	858C	1
		10	872C	1
315T3204-5009		1	856D	1
		10	870D	1
315T3204-5010		1	858D	1
		10	872D	1
315T3204-6		1	854	1
		10	868	1
315T3204-7		1	666	1
		10	806	1
315T3204-8		1	668	1
		10	808	1
315T3206-15		3	375	1
315T3206-16		3	380	1
315T3206-17		3	395	1
315T3206-18		3	400	1
315T3206-19		3	375A	1
		11	521	1
315T3206-20		3	380A	1
315T3206-21		3	395A	1
		11	533	1
315T3206-22		3	400A	1
315T3206-27		3	395B	1
		11	533A	1
315T3206-28		3	400B	1
		11	536	1
315T3206-29		3	375C	1
		11	521A	1
315T3206-30		3	380C	1
		11	524	1
315T3210-1		1	47B	4
		1	48B	4
		1	49A	1
		1	50B	1
		1	51B	1
315T3210-10		1	34	1
		10	31	1
315T3210-11		1	68	5
		1	70	1
		10	77	5
		10	77A	1

71-11-32

 ILLUSTRATED PARTS LIST
 01.1 Page 1062C
 Jul 01/03

PART NUMBER	AIRLINE PART NO.	FIG.	ITEM	TTL REQ
315T3210-12		1	44	1
315T3210-13		1	46	1
		10	50A	1
315T3210-3		1	32B	1
315T3210-4		1	34B	1
315T3210-5		1	46A	1
315T3210-6		1	44A	1
315T3210-7		1	68A	5
		1	70A	1
315T3210-8		1	47	4
315T3210-8		1	48	4
		1	49	1
		1	50	1
		1	51	1
		10	55	5
		10	59	1
315T3210-9		1	32	1
315T3212-1		1	104B	1
315T3212-11		1	104	1
315T3212-12		1	106	1
		10	109	1
315T3212-13		1	72	1
		1	74	1
		1	75	1
315T3212-14		1	76	1
		1	78	1
		1	79	1
		10	81	2
		10	84A	1
		10	85	1
315T3212-15		1	116	1
315T3212-16		1	118	1
		10	129	1
315T3212-17		1	96	2
		1	98	1

71-11-32

 ILLUSTRATED PARTS LIST
 01.1 Page 1062D
 Jul 01/03


BOEING
 COMPONENT
 MAINTENANCE MANUAL

PART NUMBER	AIRLINE PART NO.	FIG.	ITEM	TTL REQ
315T3212-18		1	100	2
		1	102	1
		10	105	2
		10	105A	1
		1	106B	1
315T3212-2		1	72B	1
315T3212-3		1	74B	1
315T3212-3		1	75B	1
315T3212-4		1	76B	1
		1	79B	1
		1	116A	1
315T3212-5		1	118A	1
315T3212-6		1	96A	2
315T3212-7		1	98A	1
		1	100A	2
315T3212-8		1	150C	1
315T3214-1		1	160	1
315T3214-10		1	160	1
		10	198C	1
315T3214-2		1	148C	1
315T3214-5		1	162A	1
315T3214-6		1	160A	1
315T3214-7		1	149	1
		1	150	1
		10	174	1
315T3214-8		1	148	1
		1	151	1
		10	178	1
		1	162	1
315T3214-9		10	198	1
		1	708	1
315T3216-1		10	850	1
315T3216-2		1	710	1
		10	852	1

71-11-32

 ILLUSTRATED PARTS LIST
 01.1 Page 1062E
 Jul 01/03

PART NUMBER	AIRLINE PART NO.	FIG.	ITEM	TTL REQ
315T3216-3		1	898	1
		10	912	1
315T3216-4		1	900	1
		10	914	1
315T3216-7		1	898A	1
		10	912A	1
315T3216-8		1	900A	1
		10	914A	1
315T3220-1		1	680	6
		1	870	6
		10	822	6
		10	884	6
		12	30	6
315T3222-10		1	863	1
		10	877	1
315T3222-2		1	672	1
		10	814	1
315T3222-3		1	720	1
		10	862	1
315T3222-4		1	862	1
		10	876	1
315T3222-5		1	862A	1
		10	876A	1
315T3222-9		12	15	1
315T3223-5		12	160	1
315T3224-10		12	155	1
315T3224-9		12	150	1
315T3239-17		6	185A	1
315T3239-18		6	190A	1
315T3239-7		6	185	1
315T3239-8		6	190	1
315T3240-1		1	724	1
		5	1	RF
		10	920	1

71-11-32

 ILLUSTRATED PARTS LIST
 01.1 Page 1062F
 Jul 01/03


BOEING
 COMPONENT
 MAINTENANCE MANUAL

PART NUMBER	AIRLINE PART NO.	FIG.	ITEM	TTL REQ
315T3240-16		5	57	2
315T3240-2		1	726	1
		5	5	RF
		10	922	1
315T3240-3		5	60	1
315T3240-4		5	50	1
315T3240-5		5	20	1
315T3240-5001		5	10	1
315T3240-5002		5	15	1
315T3240-5005		5	10A	1
315T3240-5006		5	15A	1
315T3240-5007		5	10B	1
315T3240-5008		5	15B	1
315T3240-6		5	55	1
315T3240-7		5	40	1
315T3240-8		5	50A	1
315T3241-1		5	80	1
315T3241-11		5	180	1
315T3241-12		5	185	1
315T3241-13		5	35	1
315T3241-14		5	45	1
315T3241-15		5	30	1
315T3241-16		5	25	1
315T3241-17		5	65	1
315T3241-18		5	70	1
315T3241-19		5	165	1
315T3241-2		5	85	1
315T3241-20		5	100	1
315T3241-21		5	110	1
315T3241-22		5	115	1
315T3241-26		5	105	1
		5	190	1
315T3241-27		5	195	1
315T3241-28		5	200	1
315T3241-29		5	205	1
315T3241-3		5	90	1
315T3241-30		5	210	1
315T3241-31		5	175	1
315T3241-32		5	170	1
315T3241-33		5	120	1
315T3241-34		5	125	1
315T3241-35		5	155	1
315T3241-36		5	160	1
315T3241-37		5	140	1
315T3241-38		5	145	1

71-11-32

 ILLUSTRATED PARTS LIST
 01.1 Page 1062G
 Jul 01/03

PART NUMBER	AIRLINE PART NO.	FIG.	ITEM	TTL REQ
315T3241-39		5	150	1
315T3241-4		5	95	1
315T3241-41		5	120A	1
315T3241-42		5	125A	1
315T3241-43		5	155A	1
315T3241-44		5	160A	1
315T3241-45		5	140A	1
315T3241-46		5	145A	1
315T3241-47		5	150A	1
315T3245-1		3	355	1
		11	40	1
315T3245-2		3	370	1
		11	55	1
315T3256-3		1	648	1
		10	788	1
315T3256-4		1	650	1
		10	790	1
315T3257-1		2	175A	1
		4	138A	1
		9	45	1
315T3257-2		2	190	1
		4	141	1
		9	50	1
315T3259-10		1	134	2
315T3259-2		1	122B	2
315T3259-4		1	134A	2
315T3259-7		1	120	2
		10	131	2
315T3259-8		1	122	2
315T3259-9		1	132	2
		10	150	2
315T3262-1		1	136B	2
315T3262-2		1	146A	2

71-11-32

 ILLUSTRATED PARTS LIST
 01.1 Page 1062H
 Jul 01/03


BOEING
 COMPONENT
 MAINTENANCE MANUAL

PART NUMBER	AIRLINE PART NO.	FIG.	ITEM	TTL REQ
315T3262-4		1	136	2
		1	137	2
		10	152	2
315T3262-5		1	146	2
		10	172	2
315T3300-1		1	290	1
		2	1	RF
		10	366	1
315T3300-11		2	120	1
315T3300-12		2	345A	1
315T3300-13		2	350A	1
315T3300-2		1	292	1
		2	5	RF
		10	368	1
315T3300-5		2	110	1
315T3300-5001		2	10	1
315T3300-5002		2	15	1
315T3300-5003		2	10A	1
315T3300-5004		2	15A	1
315T3300-5005		2	10B	1
315T3300-5006		2	15B	1
315T3300-5009		2	10C	1
315T3300-5010		2	15C	1
315T3300-5019		2	10D	1
315T3300-5020		2	15D	1
315T3300-5023		2	10F	1
315T3300-5024		2	15F	1
315T3300-6		2	105	1
315T3301-45		2	250	1
315T3301-60		2	255	1
315T3301-65		2	235A	1
315T3301-66		2	240	1
315T3301-69		2	235	1
315T3301-70		2	240A	1
315T3302-1		2	165	1

71-11-32

 ILLUSTRATED PARTS LIST
 01.1 Page 1062I
 Jul 01/03

PART NUMBER	AIRLINE PART NO.	FIG.	ITEM	TTL REQ
315T3302-2		2	170	1
315T3302-3		2	225	1
315T3302-4		2	230	1
315T3302-5		2	165A	1
315T3302-6		2	170A	1
315T3302-7		2	225A	1
315T3302-8		2	230A	1
315T3303-10		2	45	1
315T3303-11		2	60	1
315T3303-12		2	65	1
315T3303-13		2	42	1
315T3303-14		2	47	1
315T3303-15		2	62	1
315T3303-16		2	67	1
315T3303-17		2	42A	1
315T3303-18		2	47A	1
315T3303-19		2	62A	1
315T3303-20		2	67B	1
315T3303-9		2	40	1
315T3305-107		1	164	1
		10	406	1
315T3305-108		1	166	1
		10	408	1
315T3305-115		1	182	1
		10	424	1
315T3305-116		1	184	1
		10	426	1
315T3305-125		1	174	1
		10	416	1
315T3305-126		1	176	1
		10	418	1
315T3305-5001		1	168	1
		10	410	1

71-11-32

 ILLUSTRATED PARTS LIST
 01.1 Page 1062J
 Jul 01/03


BOEING
 COMPONENT
 MAINTENANCE MANUAL

PART NUMBER	AIRLINE PART NO.	FIG.	ITEM	TTL REQ
315T3305-5002		1	170	1
		10	412	1
315T3305-5003		1	168A	1
		10	410A	1
315T3305-5004		1	170A	1
		10	412A	1
315T3305-5005		1	168B	1
		10	410B	1
315T3305-5006		1	170B	1
		10	412B	1
315T3305-5007		1	168C	1
		10	410C	1
315T3305-5008		1	170C	1
		10	412C	1
315T3305-5009		1	168D	1
		10	410D	1
315T3305-5010		1	170D	1
		10	412D	1
315T3305-59		1	238	1
		10	480	1
315T3305-60		1	240	1
		10	482	1
315T3305-63		1	228	1
		10	470	1
315T3305-64		1	220	1
		1	230	1
		10	472	1
315T3305-67		1	218	1
		10	460	1
315T3305-68		10	462A	1
315T3305-71		1	208	1
		10	450	1
315T3305-72		1	210	1
		10	452	1
315T3305-75		1	198	1
		10	440	1
315T3305-76		1	200	1
		10	442	1
315T3305-79		1	190	1
		10	432	1
315T3305-80		1	192	1
		10	434	1
315T3307-23		1	248	1
		10	490	1
315T3307-24		1	250	1
		10	492	1

71-11-32

 ILLUSTRATED PARTS LIST
 01.1 Page 1062K
 Jul 01/03

PART NUMBER	AIRLINE PART NO.	FIG.	ITEM	TTL REQ
315T3307-25		1	262	1
		10	504	1
315T3307-26		1	264	1
		10	506	1
315T3307-38		1	272	1
		10	514	1
315T3307-43		1	262A	1
		10	504A	1
315T3307-44		1	264A	1
		10	506A	1
315T3307-49		1	262B	1
315T3307-49		10	504B	1
315T3307-50		1	264B	1
		10	506B	1
315T3307-5001		1	252	1
		10	494	1
315T3307-5002		1	254	1
		10	496	1
315T3307-5003		1	252A	1
		10	494A	1
315T3307-5004		1	254A	1
		10	496A	1
315T3307-5005		1	252B	1
		10	494B	1
315T3307-5006		1	254B	1
		10	496B	1
315T3308-23		2	390A	1
315T3308-24		2	395A	1
315T3308-25		2	355	1
315T3308-26		2	360	1
315T3308-27		2	390	1
315T3308-28		2	395	1
315T3308-29		2	400	1
315T3308-31		2	405	1
315T3308-32		2	405A	1
315T3308-33		2	355A	1
315T3308-34		2	360A	1
315T3308-35		2	400A	1
315T3309-1		2	485	1
315T3309-2		2	490	1
315T3309-3		2	505	1
315T3309-4		2	510	1
315T3310-5		2	425	1
315T3310-6		2	430	1
315T3310-7		2	445	1
315T3310-8		2	450	1
315T3314-10		3	475	1

71-11-32

 ILLUSTRATED PARTS LIST
 01.1 Page 1062L
 Jul 01/03


BOEING
 COMPONENT
 MAINTENANCE MANUAL

PART NUMBER	AIRLINE PART NO.	FIG.	ITEM	TTL REQ
315T3314-7		3	405	1
315T3314-8		3	410	1
315T3314-9		3	470	1
315T3315-1		3	465	2
315T3317-1		2	175	1
		4	138	1
		9	25	1
315T3318-101		1	394	1
		7	1	RF
315T3318-102		1	398	1
		7	5	RF
315T3318-103		7	255	1
315T3318-104		7	260	1
315T3318-105		7	360	1
315T3318-106		7	365	1
315T3318-107		7	370	1
315T3318-108		7	375	1
315T3318-11		7	340	1
315T3318-111		7	220	1
315T3318-112		7	225	1
315T3318-113		7	245	1
315T3318-114		7	250	1
315T3318-12		7	345	1
315T3318-13		7	235	1
315T3318-133		1	394A	1
		10	634	1
315T3318-134		10	638	1
315T3318-135		7	220A	1
315T3318-136		7	225A	1
315T3318-139		7	350A	1
315T3318-14		7	240	1
315T3318-141		7	340A	1
315T3318-142		7	345A	1
		7	355A	1
315T3318-143		7	235A	1
315T3318-144		7	240A	1
315T3318-145		7	325A	1
315T3318-146		7	330A	1
315T3318-147		7	310A	1
315T3318-148		7	315A	1
315T3318-149		7	300A	1
315T3318-15		7	325	1
315T3318-150		7	305A	1
315T3318-151		7	275A	1
315T3318-152		7	280A	1
315T3318-153		7	285A	1
315T3318-154		7	290A	1

71-11-32

ILLUSTRATED PARTS LIST

01.1 Page 1062M

Jul 01/03

PART NUMBER	AIRLINE PART NO.	FIG.	ITEM	TTL REQ
315T3318-157		7	270A	1
315T3318-16		7	330	1
315T3318-163		7	255A	1
315T3318-164		7	260A	1
315T3318-169		7	255C	1
315T3318-170		7	260B	1
315T3318-171		7	370B	1
315T3318-172		7	375A	1
315T3318-179		7	83	1
315T3318-183		7	255E	1
315T3318-185		7	255D	1
315T3318-186		7	260C	1
315T3318-27		7	310	1
315T3318-28		7	315	1
315T3318-45		7	270	1
315T3318-47		7	300	1
315T3318-48		7	305	1
315T3318-49		7	275	1
315T3318-50		7	280	1
315T3318-5007		1	396	1
		7	1A	RF
		10	636	1
315T3318-5008		7	5A	RF
		10	640	1
315T3318-5009		1	396A	1
		7	1B	RF
		10	636A	1
315T3318-5010		7	5B	RF
		10	640A	1
315T3318-5011		1	396B	1
		7	1C	RF
		10	636B	1
315T3318-5013		1	396C	1
		7	1D	RF
		10	636C	1
315T3318-5014		7	5C	RF
		10	640B	1
315T3318-5015		1	396D	1
		7	1E	RF
		10	636D	1
315T3318-51		7	285	1
315T3318-52		7	290	1
315T3318-7		7	350	1
315T3318-8		7	355	1
315T3319-13		7	205	1
315T3319-17		7	185	1
315T3319-20		7	135	1

71-11-32

 ILLUSTRATED PARTS LIST
 01.1 Page 1062N
 Jul 01/03


BOEING
 COMPONENT
 MAINTENANCE MANUAL

PART NUMBER	AIRLINE PART NO.	FIG.	ITEM	TTL REQ
315T3319-25		7	85	1
315T3319-26		7	90	1
315T3319-31		7	115	1
315T3319-32		7	130	1
315T3319-33		7	140	1
315T3319-34		7	145	1
315T3319-35		7	210	1
315T3319-36		7	215	1
315T3319-38		7	190	1
315T3319-39		7	195	1
315T3319-41		7	200	1
315T3319-42		7	185A	1
315T3319-43		7	190A	1
315T3319-44		7	195A	1
315T3319-47		7	140A	1
315T3319-48		7	145A	1
315T3319-49		7	210A	1
315T3319-50		7	215A	1
315T3319-51		7	140D	1
315T3319-52		7	200A	1
315T3319-53		7	115A	1
315T3319-6		7	100	1
315T3319-7		7	105	1
315T3319-8		7	110	1
315T3400-130		4	543	3
315T3400-137		4	603	1
315T3400-147		4	213	1
315T3400-149		4	207	1
315T3400-150		4	210	1
315T3400-200		1	626A	1
		4	5A	RF
315T3400-207		1	624A	1
		4	1A	RF
315T3400-209		1	624	1
		4	1	RF
		10	764	1
315T3400-210		1	626	1
		4	5	RF
		10	766	1
315T3400-244		4	576A	1
315T3400-263		4	552	1
315T3400-276		4	547	1
315T3400-5003		4	10A	1
315T3400-5004		4	15K	1
315T3400-5007		4	10B	1
315T3400-5012		4	15	1

71-11-32

ILLUSTRATED PARTS LIST

01.1 Page 10620

Jul 01/03

PART NUMBER	AIRLINE PART NO.	FIG.	ITEM	TTL REQ
315T3400-5013		4	10	1
315T3400-5016		4	15B	1
315T3400-5023		4	15A	1
315T3400-5032		4	15D	1
315T3400-5036		4	15E	1
315T3400-5038		4	15F	1
315T3400-5040		4	15G	1
315T3400-5042		4	15H	1
315T3400-5047		4	15J	1
315T3400-62		4	606	1
315T3400-67		4	558	1
315T3401-39		4	765	1
315T3401-55		4	756A	1
315T3401-56		4	759A	1
315T3401-57		4	768A	1
315T3401-58		4	771A	1
315T3401-67		4	756B	1
315T3401-68		4	759B	1
315T3401-69		4	768B	1
315T3401-70		4	771C	1
315T3401-72		4	771B	1
315T3401-77		4	756	1
315T3401-78		4	759	1
315T3401-79		4	768	1
315T3401-80		4	771	1
315T3402-1		4	21	1
315T3402-12		4	21A	1
		9	1A	RF
315T3402-13		9	5	1
315T3402-14		9	30	1
315T3402-3		4	165	1
		9	75	1
315T3402-5		4	18	1
315T3402-6		4	162	1
315T3403-10		4	633A	3

71-11-32

 ILLUSTRATED PARTS LIST
 01.1 Page 1062P
 Jul 01/03


BOEING
 COMPONENT
 MAINTENANCE MANUAL

PART NUMBER	AIRLINE PART NO.	FIG.	ITEM	TTL REQ
315T3403-5		4	624A	3
315T3403-6		4	633B	3
315T3403-8		4	624	3
315T3403-9		4	633	3
315T3406-3		2	30	1
315T3406-4		2	35	1
		4	195	1
315T3406-5		4	192	1
315T3409-1		1	656	1
		10	796	1
315T3409-10		1	664A	1
		10	804A	1
315T3409-2		1	658	1
		10	798	1
315T3409-3		1	662	1
		10	802	1
315T3409-4		1	664	1
		10	804	1
315T3409-7		1	656B	1
		10	796A	1
315T3409-8		1	658B	1
		10	798A	1
315T3409-9		1	662A	1
		10	802A	1
315T3411-1		4	522	1
315T3411-2		4	555	1
315T3412-1		4	273A	1
315T3412-13		4	273	1
315T3412-14		4	306	1
315T3412-2		4	306A	1
315T3412-4		4	306C	1
315T3412-6		4	306B	1

71-11-32

 ILLUSTRATED PARTS LIST
 01.1 Page 1062Q
 Jul 01/03

PART NUMBER	AIRLINE PART NO.	FIG.	ITEM	TTL REQ
315T3412-7		4	273B	1
315T3412-9		4	306D	1
315T3413-1		4	312B	1
315T3413-10		4	360B	1
315T3413-11		4	359	1
315T3413-13		4	312	1
315T3413-14		4	360	1
315T3413-19		4	312A	1
315T3413-2		4	360C	1
315T3413-25		4	312C	1
315T3413-4		4	362G	1
315T3413-6		4	360G	1
315T3413-7		4	362	1
315T3414-1		4	630	6
315T3415-16		9	70	1
315T3415-6		4	159C	1
315T3415-7		4	159A	1
315T3415-8		2	215	1
315T3415-9		2	220	1
315T3416-11		4	672	1
		4	675A	1
315T3416-15		4	723A	1
315T3416-16		4	720A	1
315T3416-17		4	726A	1
315T3416-18		4	681	2
315T3416-22		4	636A	1
315T3416-24		4	723	1
315T3416-25		4	720	1
315T3416-26		4	726	1
315T3416-27		4	732A	1
315T3416-28		4	732	1

71-11-32

 ILLUSTRATED PARTS LIST
 01.1 Page 1062R
 Jul 01/03


BOEING
 COMPONENT
 MAINTENANCE MANUAL

PART NUMBER	AIRLINE PART NO.	FIG.	ITEM	TTL REQ
315T3416-32		4	636	1
315T3416-33		4	705	1
315T3416-35		4	708A	1
315T3416-37		4	696A	1
315T3416-38		4	636B	1
315T3416-5		4	682	2
315T3416-6		4	678	2
315T3416-7		4	672A	1
315T3416-9		4	708	1
315T3417-3		4	501	3
315T3417-4		4	516	3
315T3422-11		4	396B	1
315T3422-12		4	498B	1
315T3422-15		4	396	1
315T3422-16		4	498	1
315T3422-7		4	396A	1
315T3422-8		4	498A	1
315T3423-1		4	225	1
315T3424-1		4	243	3
315T3537-1		2	135	1
315T3537-2		2	140	1
315T3554-2		1	838A	1
		10	352A	1
315T3569-1		4	660A	1
315T3569-4		4	657	1
315T3576-1		4	361M	1
315T3577-1		1	918	1
		4	747	1
315T3578-1		1	910	1
		4	735	1
315T3633-112		3	160	1
		11	410	1
315T3633-113		3	205	1
		11	455	1
315T3633-114		3	210	1
		11	460	1
315T3633-138		3	290	1
		11	25	1
315T3633-139		3	285	1
		11	20	1
315T3633-149		3	285A	1
		11	20A	1

71-11-32

 ILLUSTRATED PARTS LIST
 01.1 Page 1062S
 Jul 01/03

PART NUMBER	AIRLINE PART NO.	FIG.	ITEM	TTL REQ
315T3633-150		3	290A	1
		11	25A	1
315T3633-98		3	265	1
		11	509	1
315T3633-99		3	280	1
		11	518	1
315T3634-1		3	45	2
		3	48	1
		11	77	2
		11	79	1
315T3634-10		3	44	1
		11	75	1
315T3634-11		3	49	1
		11	79K	1
315T3634-12		3	103	1
		11	104	1
315T3634-13		3	108	1
		11	112	1
315T3634-15		11	77A	2
		11	79A	1
315T3634-16		11	73A	2
		11	75L	1
		11	79L	1
315T3634-18		11	75A	1
315T3634-19		11	108A	2
		11	110A	1
315T3634-2		3	40	2
		3	43	1
		11	73	2
		11	75K	1
315T3634-20		11	102A	2
		11	106A	1
315T3634-21		11	112A	1
315T3634-22		11	104A	1
315T3634-3		3	105	2
		3	107	1
		11	108	2
		11	110	1

71-11-32

 ILLUSTRATED PARTS LIST
 01.1 Page 1062T
 Jul 01/03


BOEING
 COMPONENT
 MAINTENANCE MANUAL

PART NUMBER	AIRLINE PART NO.	FIG.	ITEM	TTL REQ
315T3634-4		3	100	2
315T3634-4		3	102	1
		11	102	2
		11	106	1
315T3637-1		11	70Z	4
315T3656-14		3	335	1
315T3656-15		3	330	1
315T3664		1	666	1
		1	668	1
315T3664-1		1	716	1
		10	858	1
315T3664-2		1	718	1
		10	860	1
315T3665-10		4	540A	1
315T3704-1		3	480	1
		11	539	1
315T3704-2		3	500	1
		11	551	1
315T3708-2		4	354	1
315T3708-4		4	357	1
315T3730-2		3	130	1
		11	375	1
315T3730-3		3	195	1
		11	445	1
315T3730-4		3	200	1
		11	450	1
315T3730-7		3	125	1
		11	370	1
315T4203-10		12	110A	1
315T4203-7		12	105	1
315T4203-8		12	110	1
315T4203-9		12	105A	1
315T4210-1		1	32C	1
		1	34C	1
		10	28	1

71-11-32

 ILLUSTRATED PARTS LIST
 01.1 Page 1062U
 Jul 01/03

PART NUMBER	AIRLINE PART NO.	FIG.	ITEM	TTL REQ
315T4210-10		1	36T	2
		1	53J	10
		1	55J	2
		1	81J	4
		1	83J	2
		1	108T	2
		1	124T	4
		1	138T	4
		1	152T	2
		315T4210-10		10
10	64			10
10	64A			2
10	94			4
10	94A			2
10	118			2
10	140			4
10	162			4
10	188			4
315T4210-11				1
		1	64B	5
		1	66B	1
		1	92B	2
		1	94B	1
		1	114A	1
		10	46A	1
		10	74D	5
		10	74F	1
		10	102D	2
		10	102F	1
		10	126A	1

71-11-32

 ILLUSTRATED PARTS LIST
 01.1 Page 1062V
 Jul 01/03


BOEING
 COMPONENT
 MAINTENANCE MANUAL

PART NUMBER	AIRLINE PART NO.	FIG.	ITEM	TTL REQ
315T4210-2		10	30	1
315T4210-3		1	47C	4
		1	48E	4
		1	49C	1
		1	50C	1
		1	51C	1
		1	72F	1
		1	74D	1
		1	75D	1
		1	76D	1
		1	78B	1
		1	79D	1
		10	52	5
		10	54	5
		10	56	1
		10	58	1
		10	80C	2
		10	84C	1
315T4210-5		1	44B	1
315T4210-5		10	48	1
315T4210-6		1	46B	1
		10	48A	1
315T4210-7		1	68B	5
		1	70B	1
		1	96C	2
		1	98C	1
		1	100C	2
		1	102B	1
		10	76	5
		10	76A	1
		10	104F	2
		10	104G	1

71-11-32

ILLUSTRATED PARTS LIST

01.1 Page 1062W

Jul 01/03

PART NUMBER	AIRLINE PART NO.	FIG.	ITEM	TTL REQ	
315T4210-9		1	36J	2	
		1	53	10	
		1	55	2	
		1	81	4	
		1	83	2	
		1	108J	2	
		1	124J	4	
		1	138J	4	
		1	152J	2	
		10	40	2	
		10	68	10	
		10	68A	2	
		10	98	4	
		10	98A	2	
		10	122	2	
		10	144	4	
		10	166	4	
		10	192	4	
	315T4212-1		1	104C	1
			10	106	1
315T4212-2		1	106C	1	
		10	108	1	
315T4212-3		1	47D	4	
		1	48F	4	
		1	49D	1	
		1	50D	1	
		1	51D	1	
		1	72E	1	
		1	74C	1	
		1	75C	1	
		10	54C	5	
		10	58C	1	
	10	78	2		
	10	82	1		

71-11-32

 ILLUSTRATED PARTS LIST
 01.1 Page 1062X
 Jul 01/03


BOEING
 COMPONENT
 MAINTENANCE MANUAL

PART NUMBER	AIRLINE PART NO.	FIG.	ITEM	TTL REQ	
315T4212-4		1	47E	4	
		1	48G	4	
		1	49E	1	
		1	50E	1	
		1	51E	1	
		1	76C	1	
		1	78A	1	
		1	79C	1	
		10	54D	5	
		10	58D	1	
		10	80	2	
		10	84	1	
	315T4212-5		1	116B	1
			10	128	1
315T4212-6		1	118B	1	
		10	128A	1	
315T4212-7		1	68C	5	
		1	70C	1	
		1	96B	2	
		1	98B	1	
315T4212-8		10	76D	5	
		10	76E	1	
		10	104	2	
		10	104A	1	
		1	68D	5	
		1	70D	1	
		1	100B	2	
		1	102A	1	
		10	76F	5	
		10	76G	1	
	10	104B	2		
	10	104C	1		

71-11-32

ILLUSTRATED PARTS LIST

01.1 Page 1062Y

Jul 01/03

PART NUMBER	AIRLINE PART NO.	FIG.	ITEM	TTL REQ
315T4214-1		1	149B	1
		1	150E	1
		10	175B	1
		10	180	1
315T4214-2		1	148D	1
315T4214-2		1	151A	1
315T4214-3		10	179	1
		1	149A	1
		1	150D	1
315T4214-4		10	175	1
		1	148E	1
		1	151B	1
		10	176	1
315T4214-5		10	179B	1
		1	162B	1
		10	200B	1
315T4214-6		1	160B	1
		10	200A	1
315T4214-7		1	162C	1
		10	200C	1
315T4214-8		1	160C	1
		10	200D	1
		12	80	1
315T4216-5		12	85	1
315T4216-6		12	85	1
315T4259-1		1	120A	2
315T4259-10		10	130A	2
		1	122E	2
		10	132B	2
315T4259-11		1	132B	2
		10	151B	2
315T4259-12		1	134C	2
		10	151C	2
		10	132	2
315T4259-2		10	132	2
315T4259-3		1	132A	2
315T4259-4		10	151	2
		1	134B	2
		10	151A	2
315T4259-7		1	120B	2
		10	130B	2
315T4259-8		1	122D	2
		10	132A	2
315T4259-9		1	120C	2
		10	130E	2
315T4262-1		1	136C	2
		1	137A	2
		10	153	2
		10	154	2

71-11-32

 ILLUSTRATED PARTS LIST
 01.1 Page 1062Z
 Jul 01/03


BOEING
 COMPONENT
 MAINTENANCE MANUAL

PART NUMBER	AIRLINE PART NO.	FIG.	ITEM	TTL REQ
315T4262-2		1	146B	2
		10	173	2
315T4400-91		4	552B	1
315T4400-92		4	550	1
31875-6H		1	450	1
		10	252	1
332T3071-22		1	544	1
		10	684	1
332T3074-1		1	502	1
		10	642	1
35056V06		1	450	1
		10	252	1
35235VN06		10	256A	2
35235V06		1	446	1
		1	454	2
		10	248	1
		10	256	2
43710E02		4	528	3
		4	564	1
43710E048		4	492	6
		4	513	3
4385AF300		1	414	2
		10	216	2
44LC17H6PB		10	240B	10
4671097H6		1	450	1
		10	252	1
4690009-06JL		1	542	1
		10	682	1
475CS16		1	514	1
		10	654	1
490-06RPB		10	240B	10
509S6		1	510	1
		10	650	1
512S16		1	524	1
		10	664	1
5830205-101		1	470	1
		10	272	1
5830205-102		1	470A	1
		10	272A	1
60B89012-501		6	115	1
60B89012-502		6	120	1
60B89012-504		6	115C	1
60B89012-505		6	120C	1
60B90602-1		1	540	1
		1	736	1
		10	680	1
		10	932	1

71-11-32

 ILLUSTRATED PARTS LIST
 01.1 Page 1063
 Jul 01/03

PART NUMBER	AIRLINE PART NO.	FIG.	ITEM	TTL REQ		
62547-5-5		4	147	1		
		9	55	1		
66014-5		1	372	49		
		1	566	30		
		2	265	6		
		3	507	180		
		4	351	2		
		4	480	9		
		4	507	12		
		4	642	4		
		4	714	4		
		5	135	1		
		6	170	18		
		10	614	49		
		10	706	30		
		66014-6		11	555Q	180
				1	312A	3
				1	330	16
				1	410	1
1	484			3		
1	570			2		
1	596			31		
1	642			6		
1	678A			138		
1	694			9		
1	837G			6		
1	868A			138		
1	884			9		
2	340			4		
2	420			8		
3	85A			12		
3	220			2		
3	300	4				
3	430	27				
4	102	26				
4	204	2				
4	465	11				
4	585A	2				
4	621A	3				

71-11-32

 ILLUSTRATED PARTS LIST
 01.1 Page 1064
 Jul 01/03


BOEING
 COMPONENT
 MAINTENANCE MANUAL

PART NUMBER	AIRLINE PART NO.	FIG.	ITEM	TTL REQ
66014-6		6	10	36
		10	212	1
		10	286	3
		10	351G	6
		10	554	3
		10	572	16
		10	710	2
		10	736	31
		10	782	6
		10	820	138
		10	836	9
		10	882	138
		10	898	9
		11	38	3
		11	68	6
		11	95	12
		11	180	4
		11	215	17
		11	470	2
	66014-8		12	25
		12	55	5
		12	145	166
		1	288	6
		1	646	2
		2	315	4
		3	60	12
		3	445	2
		4	93	11
		4	441	12
		10	530	6
		10	786	2
66015-6		11	85	12
		11	230	2
67067-5A4		1	742	12
		10	938	12
67832AS1032		3	157	2
		11	405	2
	1	538	5	
	10	678	5	

71-11-32

ILLUSTRATED PARTS LIST

01.1 Page 1064A

Jul 01/03

PART NUMBER	AIRLINE PART NO.	FIG.	ITEM	TTL REQ
67832AS3		1	538	5
		10	678	5
678324		4	234	4
		4	648	4
69B97503-1		1	42	1
		1	64	5
		1	66	1
		1	92	2
		1	94	1
		1	114	1
		1	130	2
		1	144	2
		1	158	2
		10	46	1
		10	74	5
		10	74A	1
		10	74E	5
		10	74G	1
		10	102	2
		10	102A	1
		10	102E	2
		10	102G	1
		10	126	1
		10	148	2
10	170	2		
10	196	2		
701-4B6		3	10	2
8084C16T		1	514	1
		10	654	1
8425-180		7	10A	1
8425-182		7	75A	1
8425-183		7	80A	1
8425-51		7	75	1
8425-52		7	80	1
8425-53		7	25	1
8425-54		7	30	1
8425-55		7	35	1
8425-56		7	40	1
8425-57		7	45	1
8425-58		7	50	1
8425-59		7	55	1
8425-60		7	60	1
8425-61		7	65	1
8425-62		7	70	1
8425-63		7	15	1
8425-64		7	20	1

71-11-32

 ILLUSTRATED PARTS LIST
 01.1 Page 1064B
 Jul 01/03


BOEING
 COMPONENT
 MAINTENANCE MANUAL

PART NUMBER	AIRLINE PART NO.	FIG.	ITEM	TTL REQ
8425-65		7	10	1
8425-67		4	729	1
9NS202101SE048		1	406	1
		4	270	1
		4	393	3
		10	208	1
9425-2		4	246	1
95850M0150AAN		1	464	1
		10	266	1
96-02		1	622	3
		1	734	5
		2	185	1
		2	210	1
		3	25	2
		3	535	2
		4	135	1
		4	153	1
		4	468	2
		9	20	1
		10	762	3
		10	930	5
		11	71H	4
		11	170	2
96-048		3	460	1
		4	447	1
		11	245	1
96-82		4	156	1
		9	65	1
97-02		1	792	8
		1	794	8
		6	135	14
		10	322	16
		10	970	8

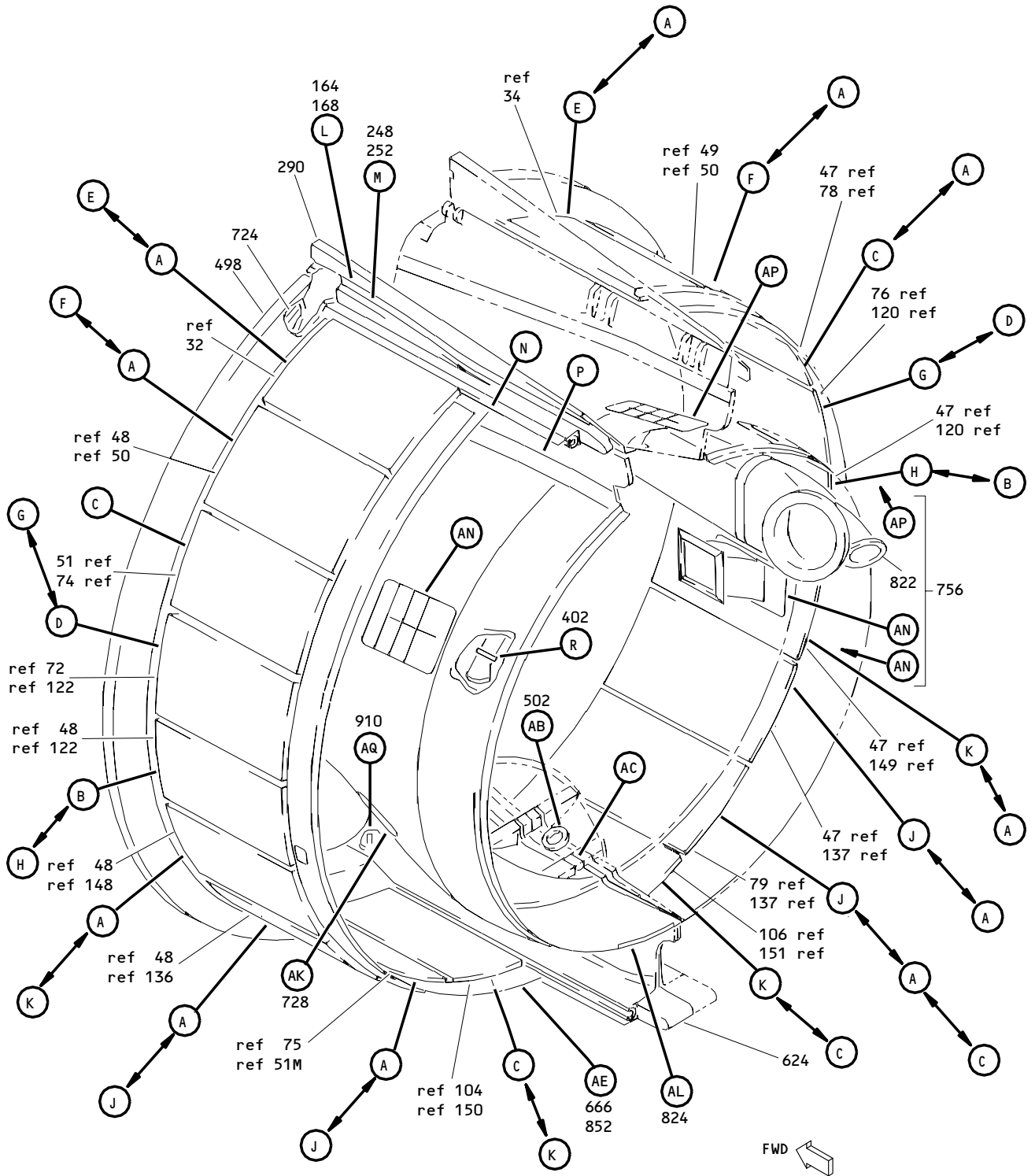
71-11-32

 ILLUSTRATED PARTS LIST
 01.1 Page 1064C
 Jul 01/03

PART NUMBER	AIRLINE PART NO.	FIG.	ITEM	TTL REQ
97-62		7	160	2
97E02		1	300	1
		1	305	1
		1	428	1
97E02		1	436	2
		1	508	1
		1	522	2
		1	532	4
		1	632	1
		10	230	1
		10	238	4
		10	542	1
		10	547	1
		10	648	1
		10	662	2
		10	672	4
		10	772	1
97E48		1	406	1
		4	270	1
		4	393	3
		10	208	1
97E82		1	567	2
		10	707	2

71-11-32

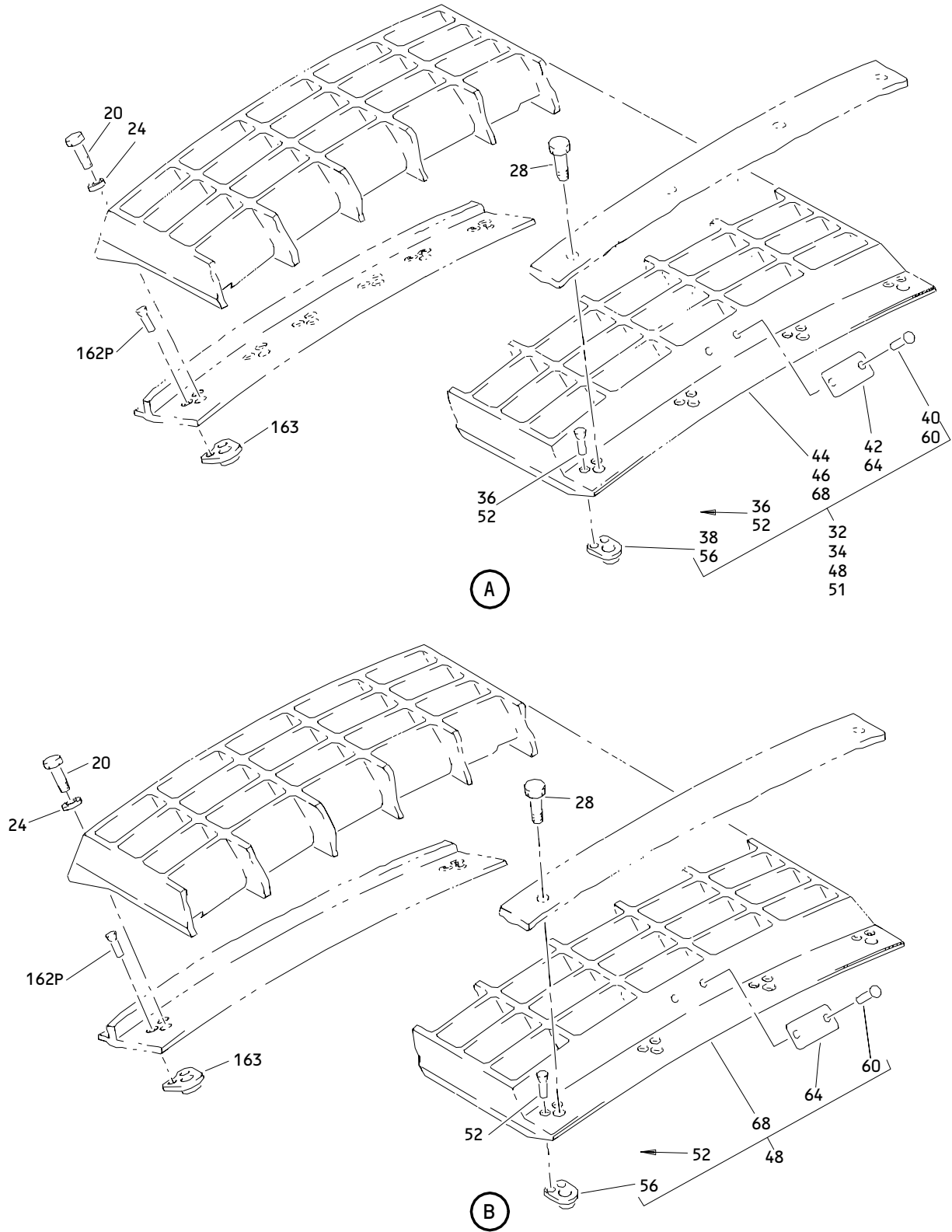
 ILLUSTRATED PARTS LIST
 01.1 Page 1064D
 Jul 01/03



Engine Outboard and Inboard Side Fan Duct Cowling Assemblies
Figure 1 (Sheet 1)

71-11-32

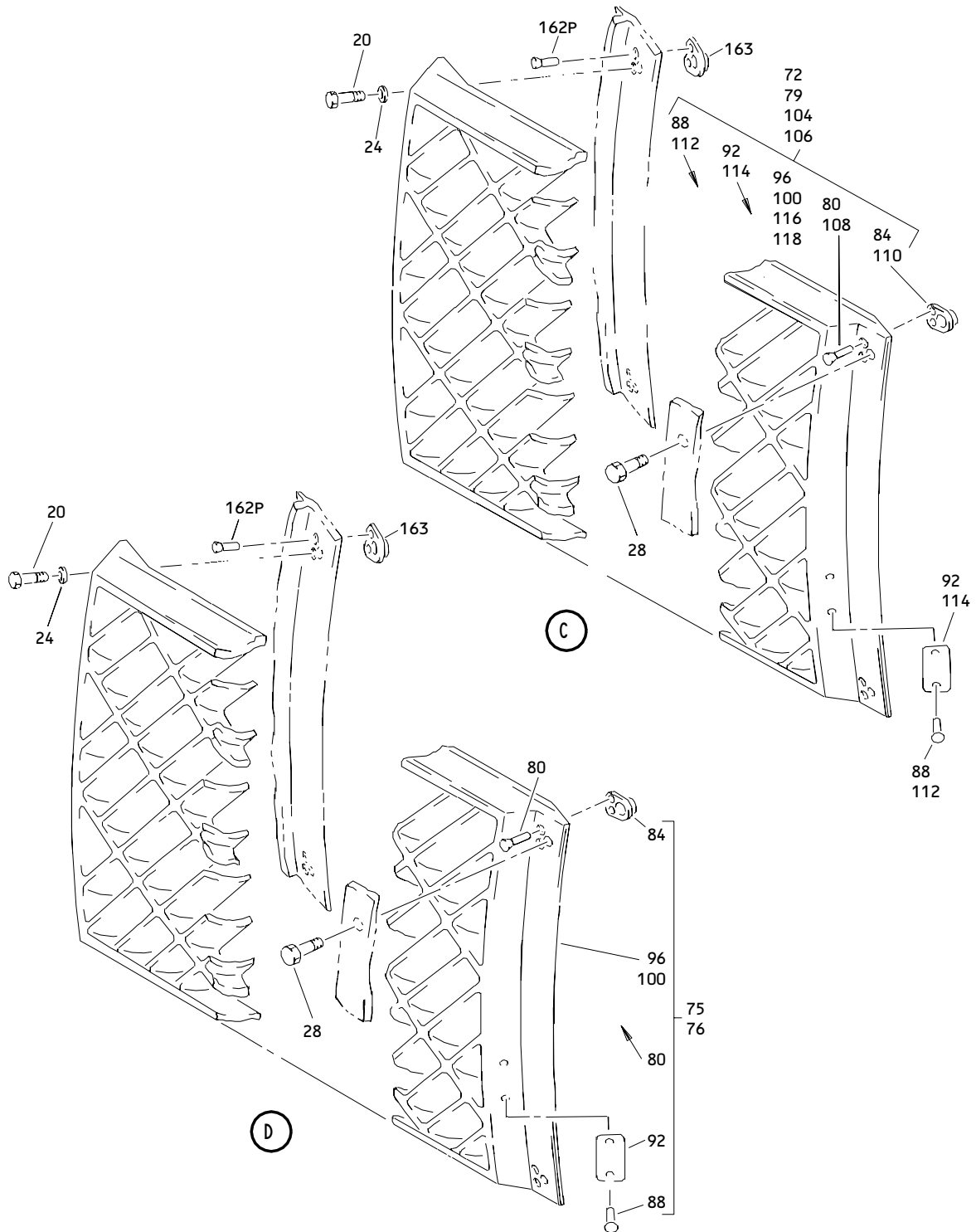
ILLUSTRATED PARTS LIST
01.1 Page 1064E
Jul 01/03



Engine Outboard and Inboard Side Fan Duct Cowling Assemblies
 Figure 1 (Sheet 2)

71-11-32

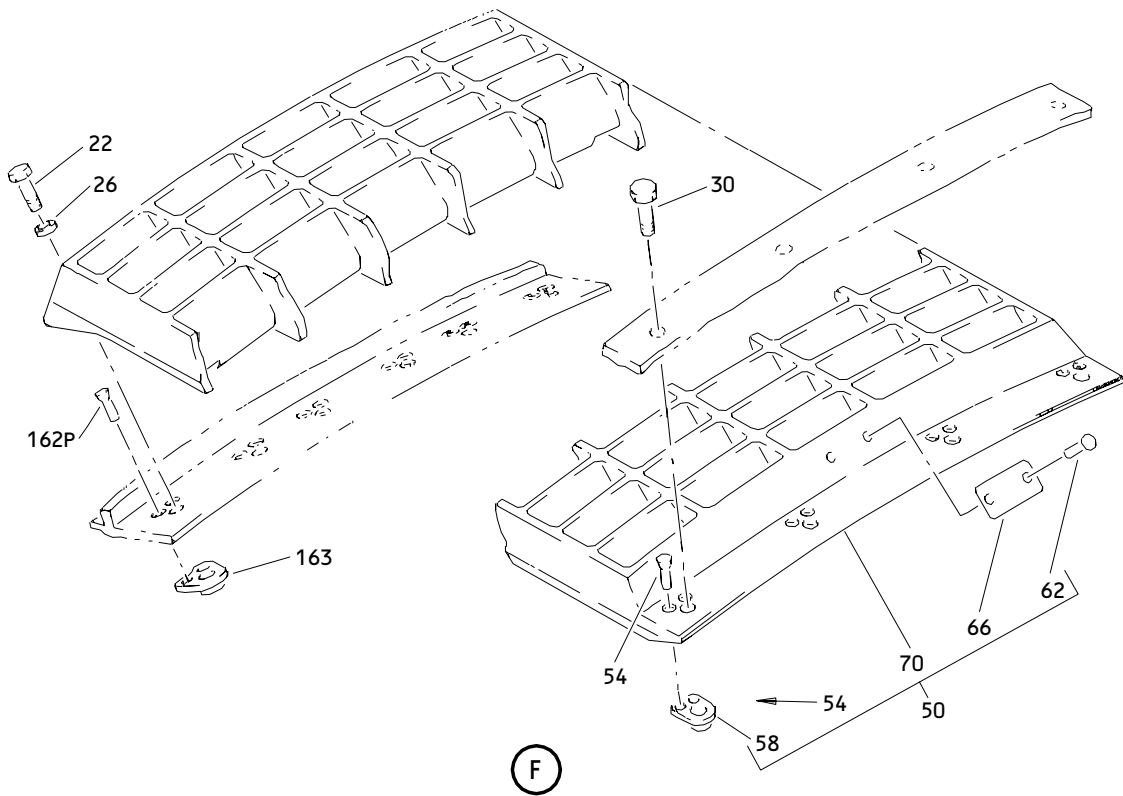
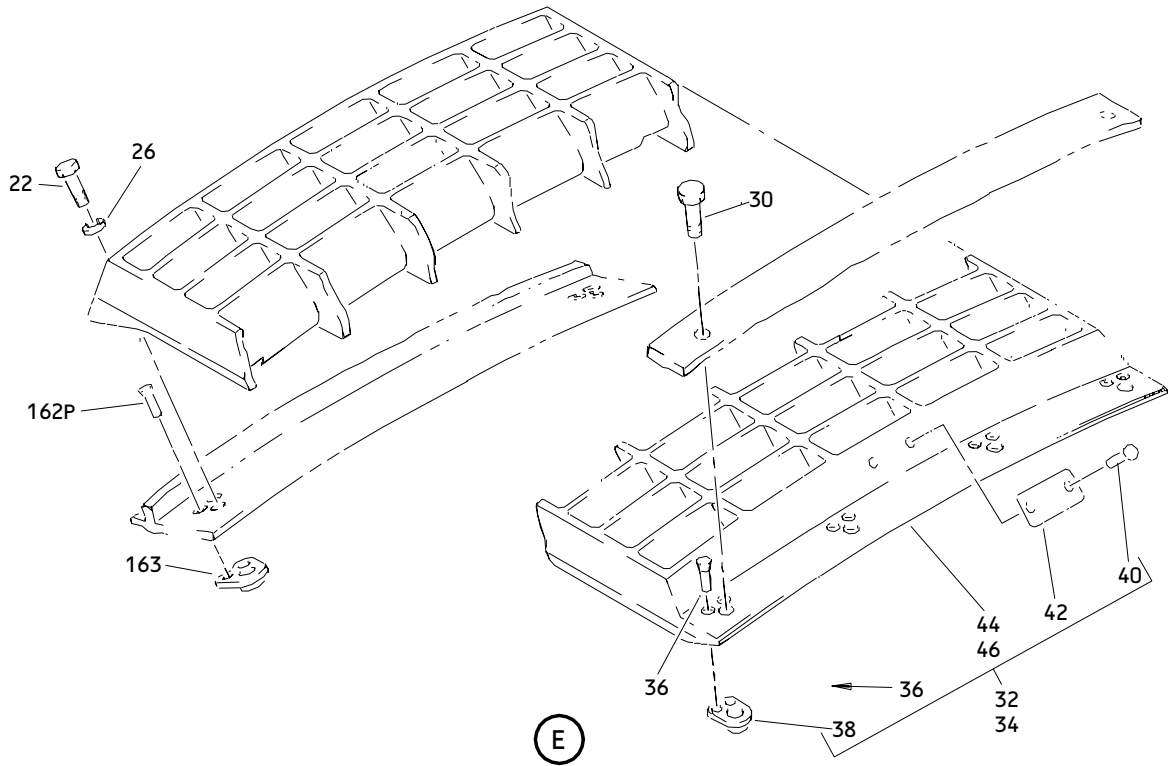
ILLUSTRATED PARTS LIST
 01.1 Page 1064F
 Jul 01/03



Engine Outboard and Inboard Side Fan Duct Cowling Assemblies
Figure 1 (Sheet 3)

71-11-32

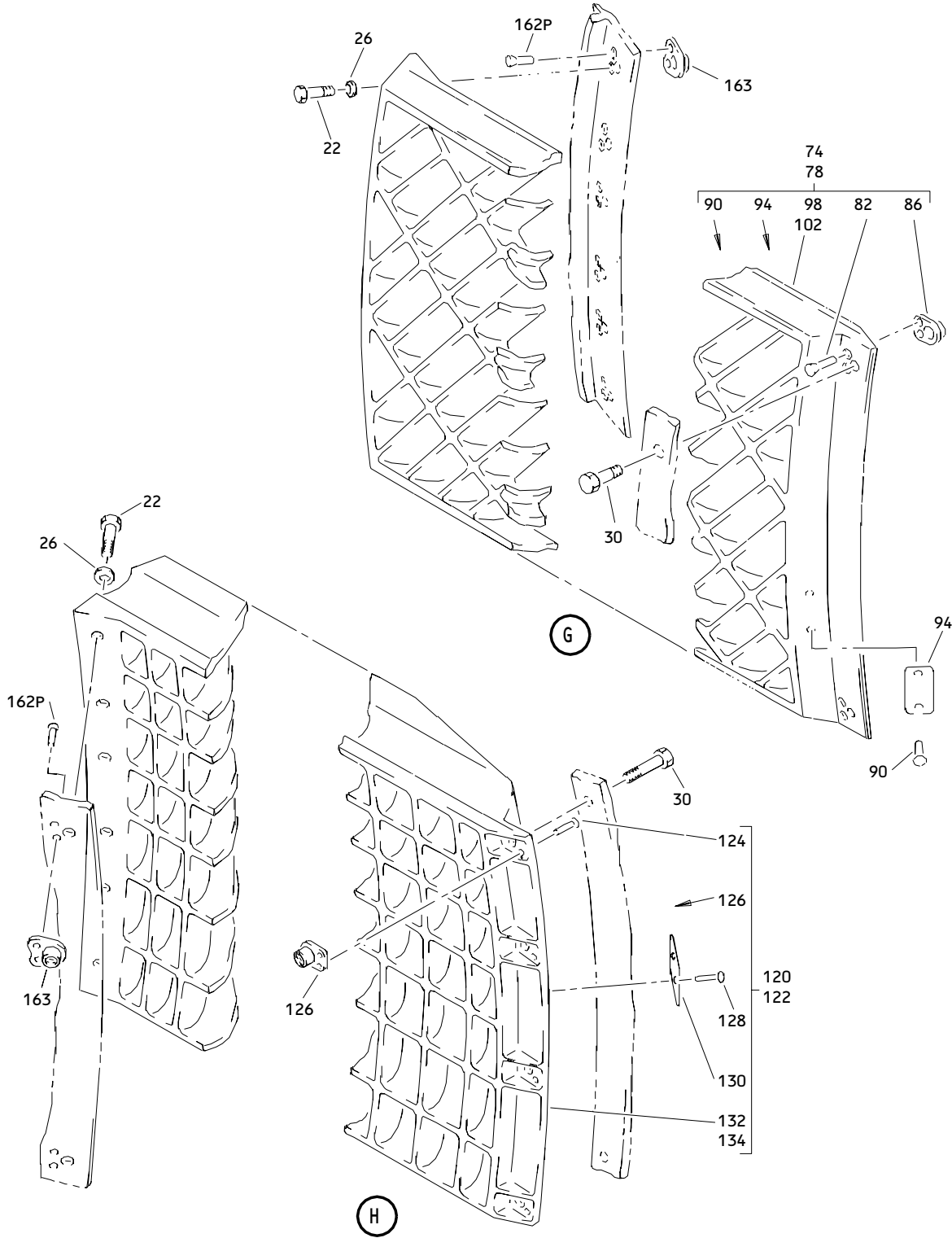
ILLUSTRATED PARTS LIST
01.1 Page 1064G
Jul 01/03



Engine Outboard and Inboard Side Fan Duct Cowling Assemblies
 Figure 1 (Sheet 4)

71-11-32

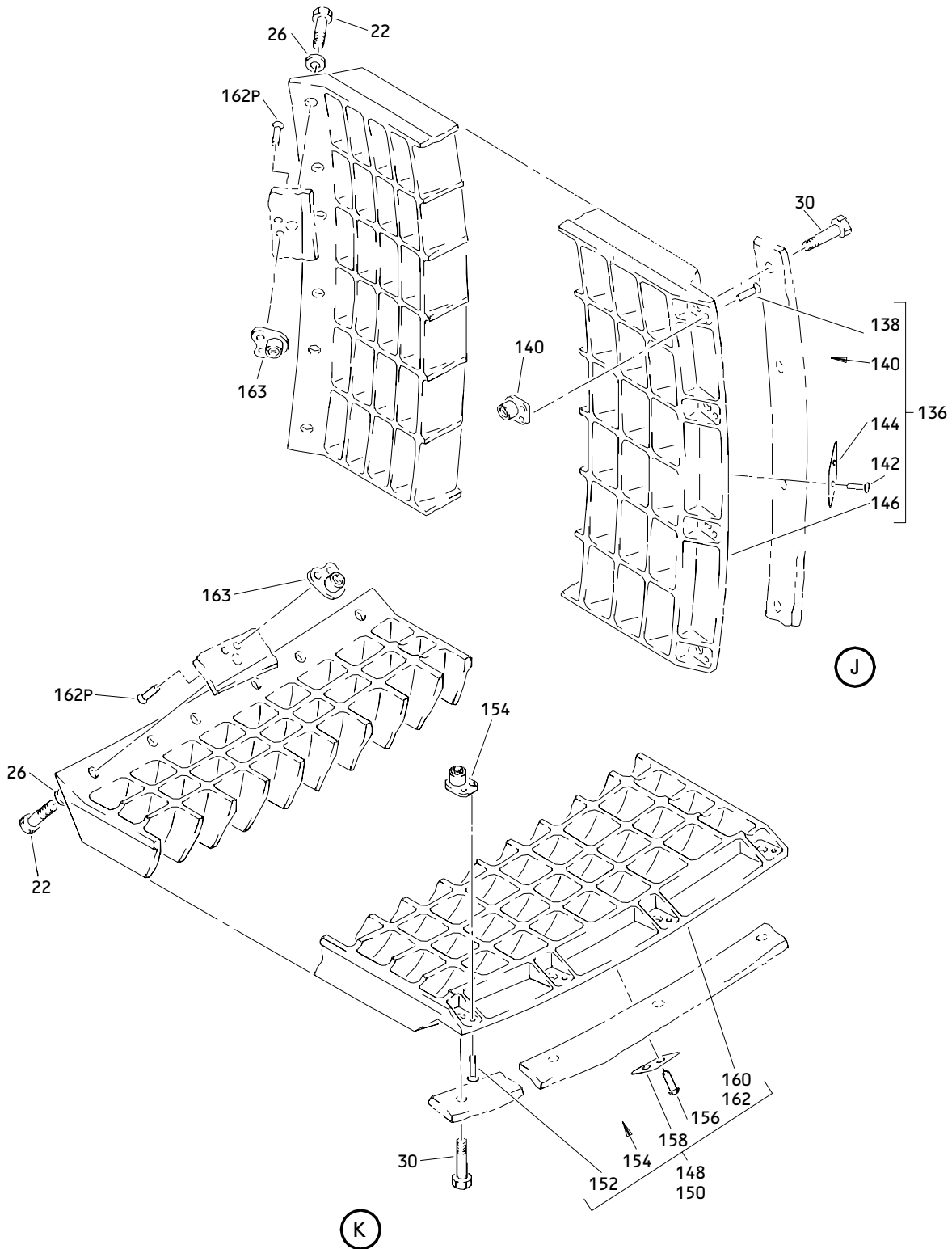
ILLUSTRATED PARTS LIST
 01.1 Page 1064H
 Jul 01/03



Engine Outboard and Inboard Side Fan Duct Cowling Assemblies
 Figure 1 (Sheet 5)

71-11-32

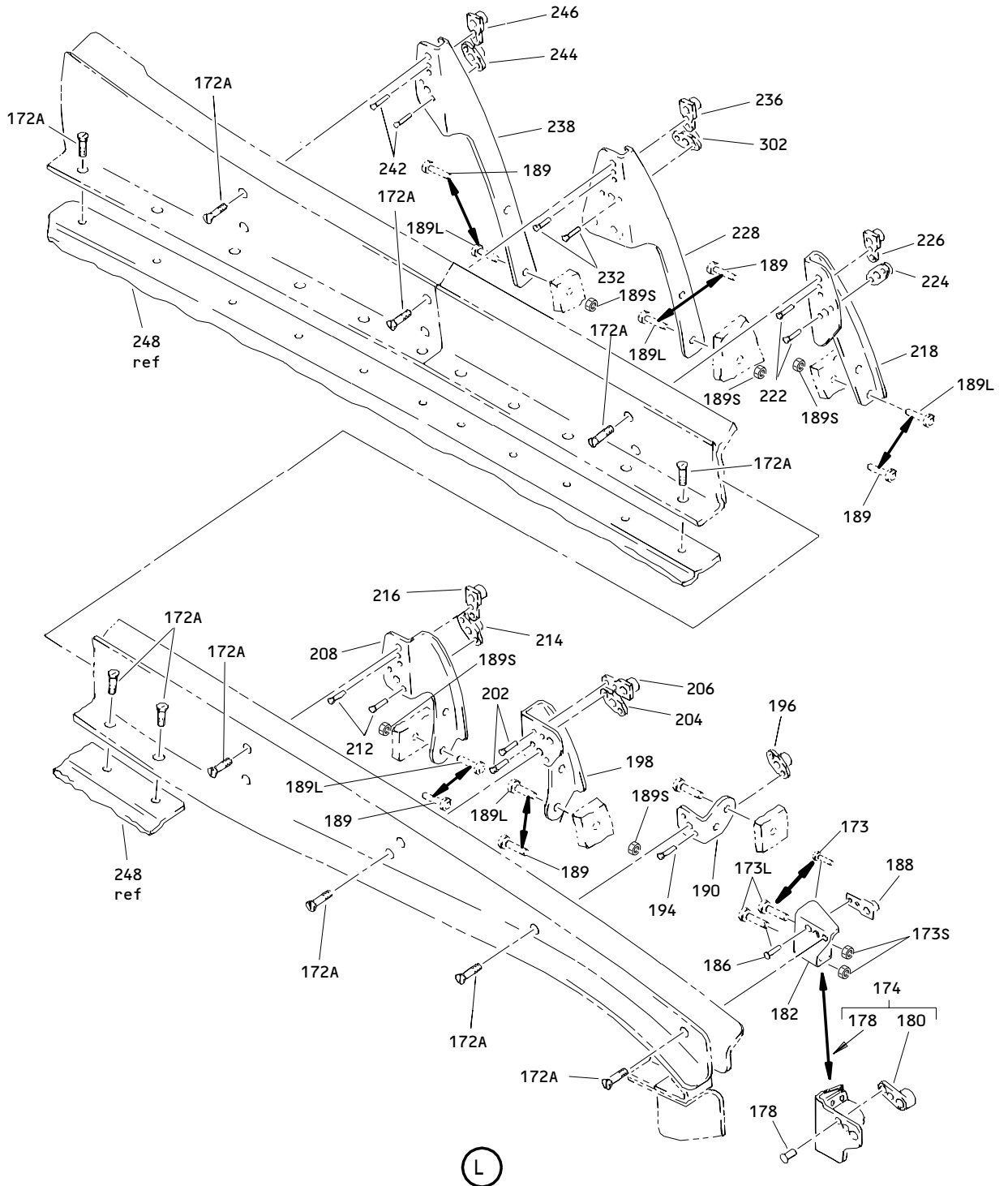
ILLUSTRATED PARTS LIST
 01.1 Page 1064I
 Jul 01/03



Engine Outboard and Inboard Side Fan Duct Cowling Assemblies
 Figure 1 (Sheet 6)

71-11-32

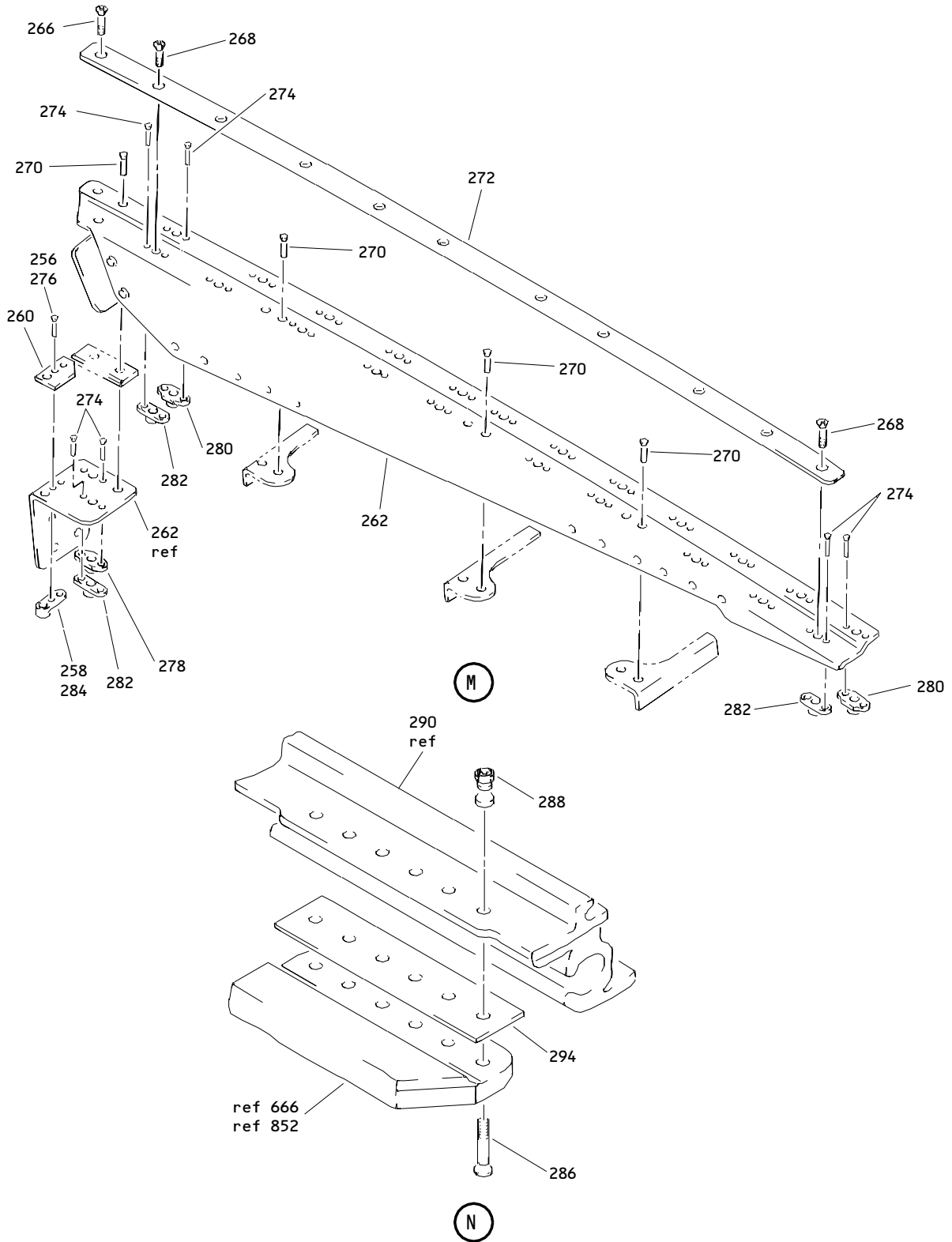
ILLUSTRATED PARTS LIST
 01.1 Page 1064J
 Jul 01/03



Engine Outboard and Inboard Side Fan Duct Cowling Assemblies
Figure 1 (Sheet 7)

71-11-32

ILLUSTRATED PARTS LIST
01.1 Page 1064K
Jul 01/03



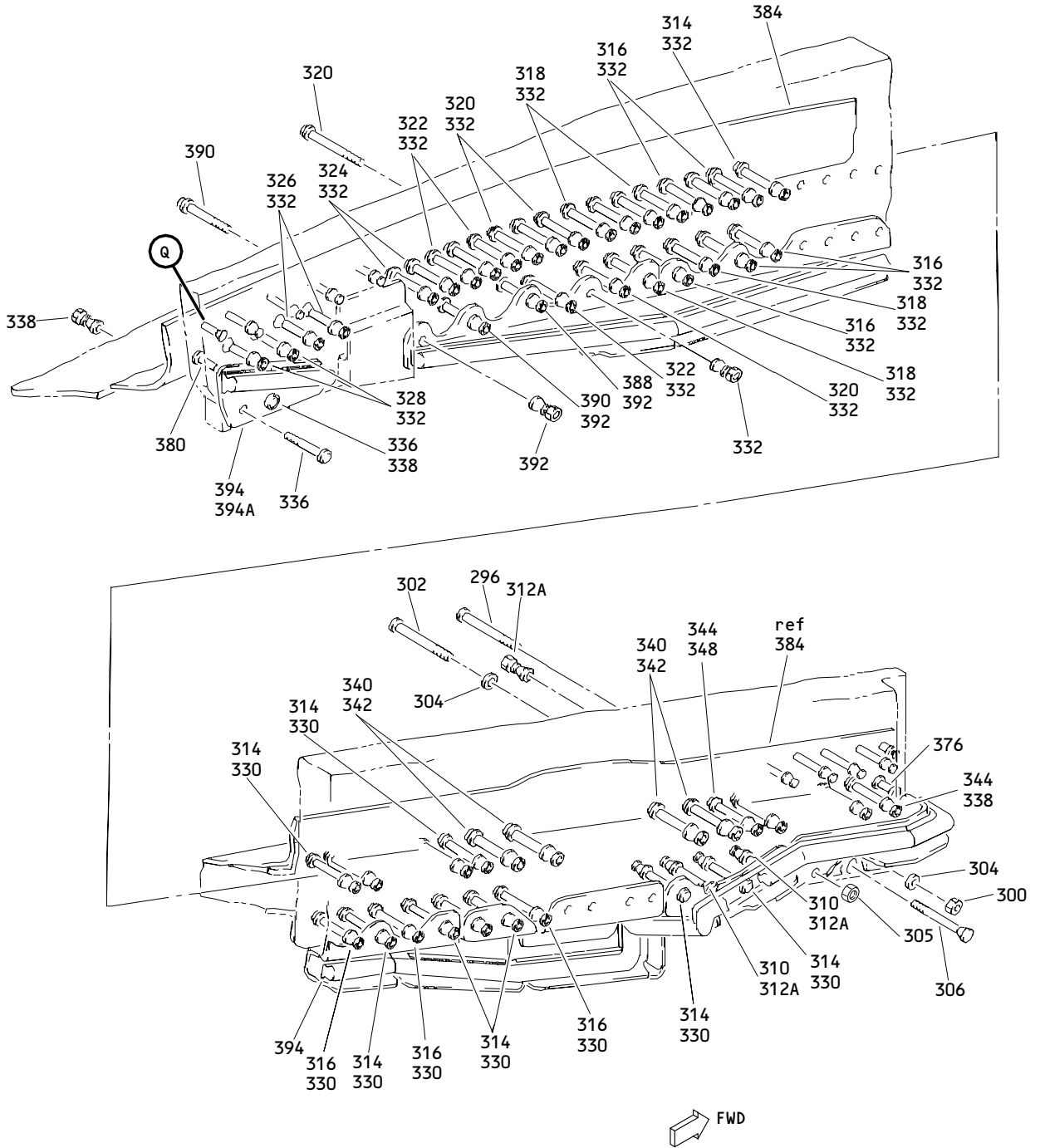
Engine Outboard and Inboard Side Fan Duct Cowling Assemblies
 Figure 1 (Sheet 8)

71-11-32

ILLUSTRATED PARTS LIST
 01.1 Page 1064L
 Jul 01/03

BOEING

COMPONENT
MAINTENANCE MANUAL

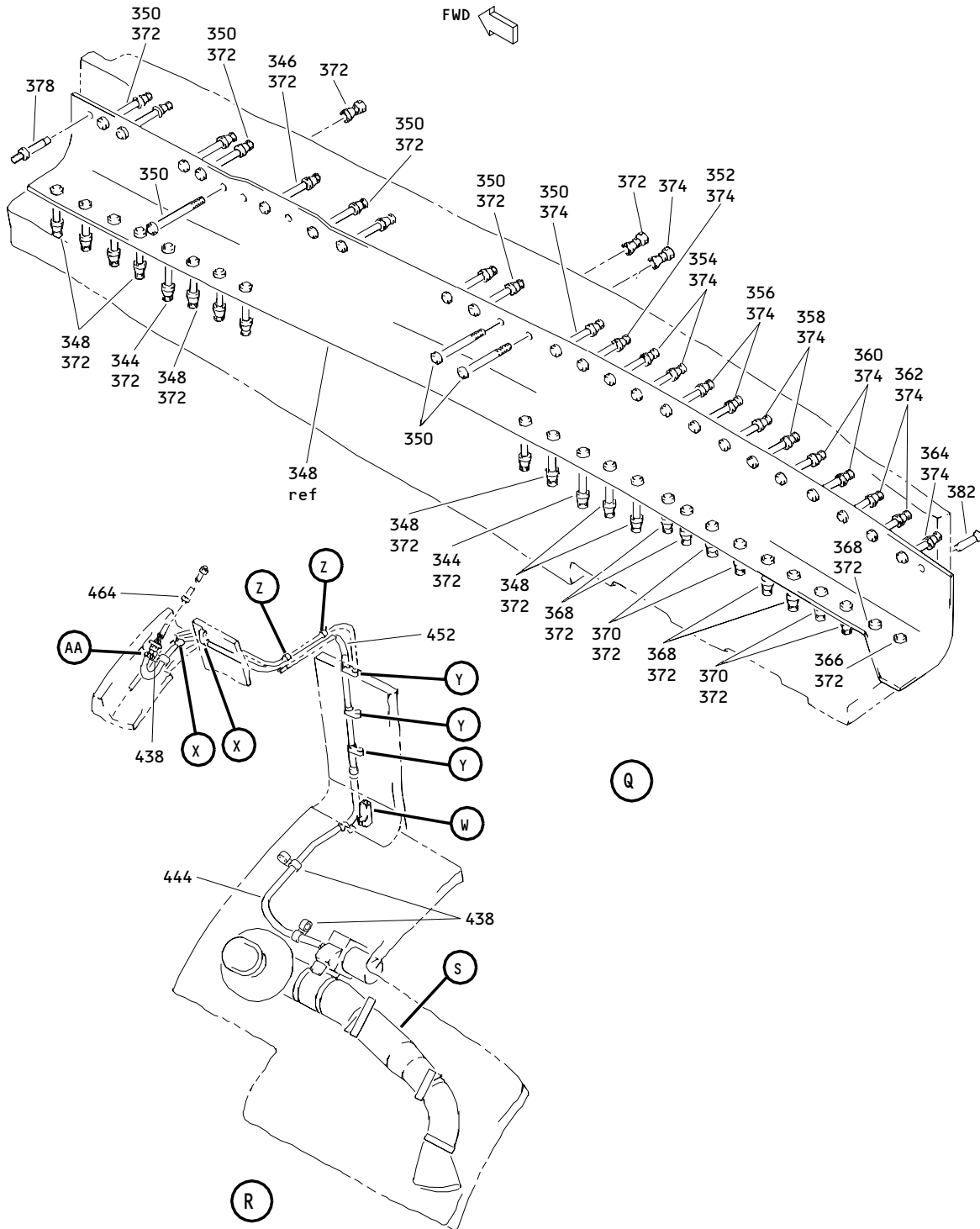


(P)

Engine Outboard and Inboard Side Fan Duct Cowling Assemblies
Figure 1 (Sheet 9)

71-11-32

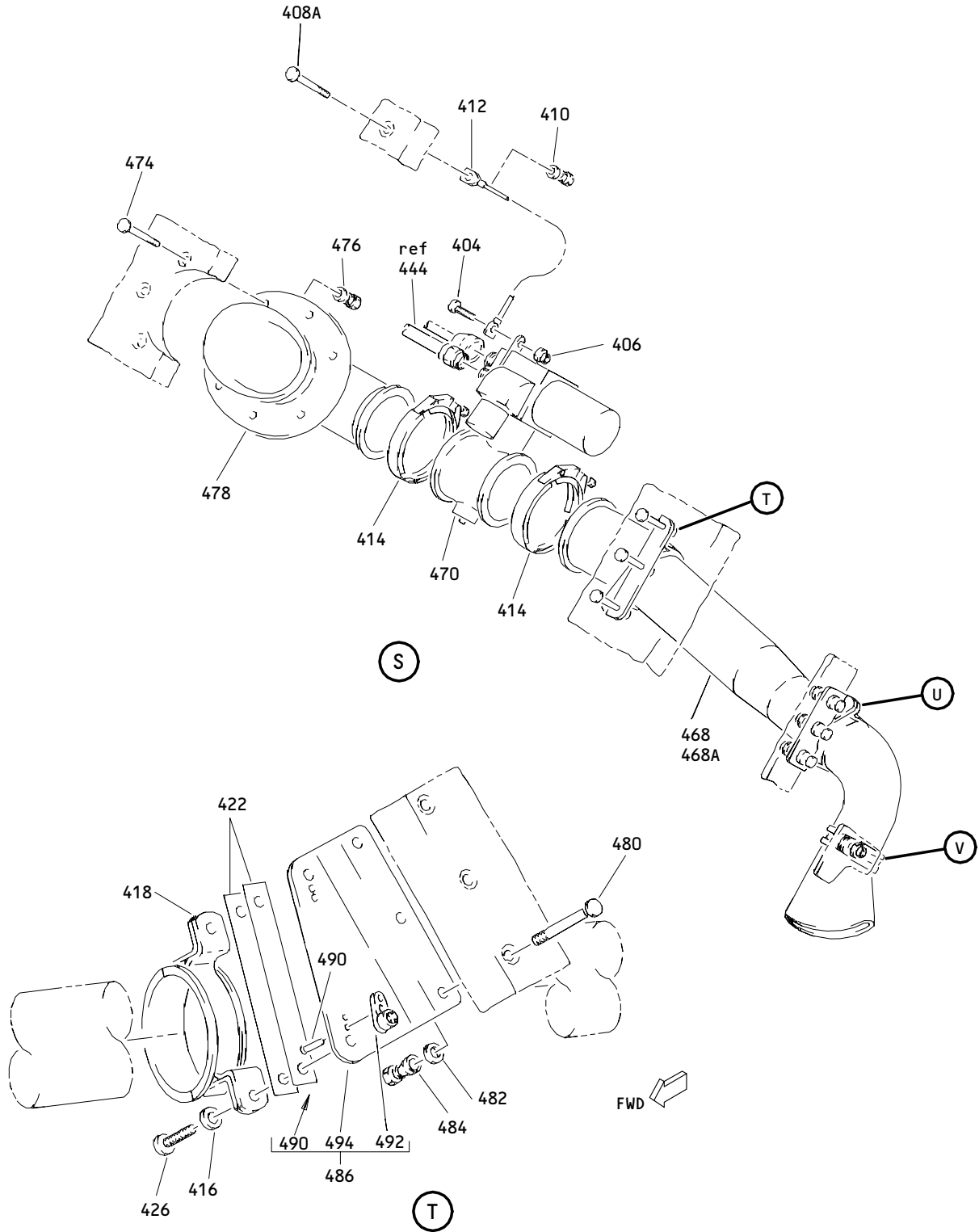
ILLUSTRATED PARTS LIST
01.1 Page 1064M
Jul 01/03



Engine Outboard and Inboard Side Fan Duct Cowling Assemblies
 Figure 1 (Sheet 10)

71-11-32

ILLUSTRATED PARTS LIST
 01.1 Page 1064N
 Jul 01/03

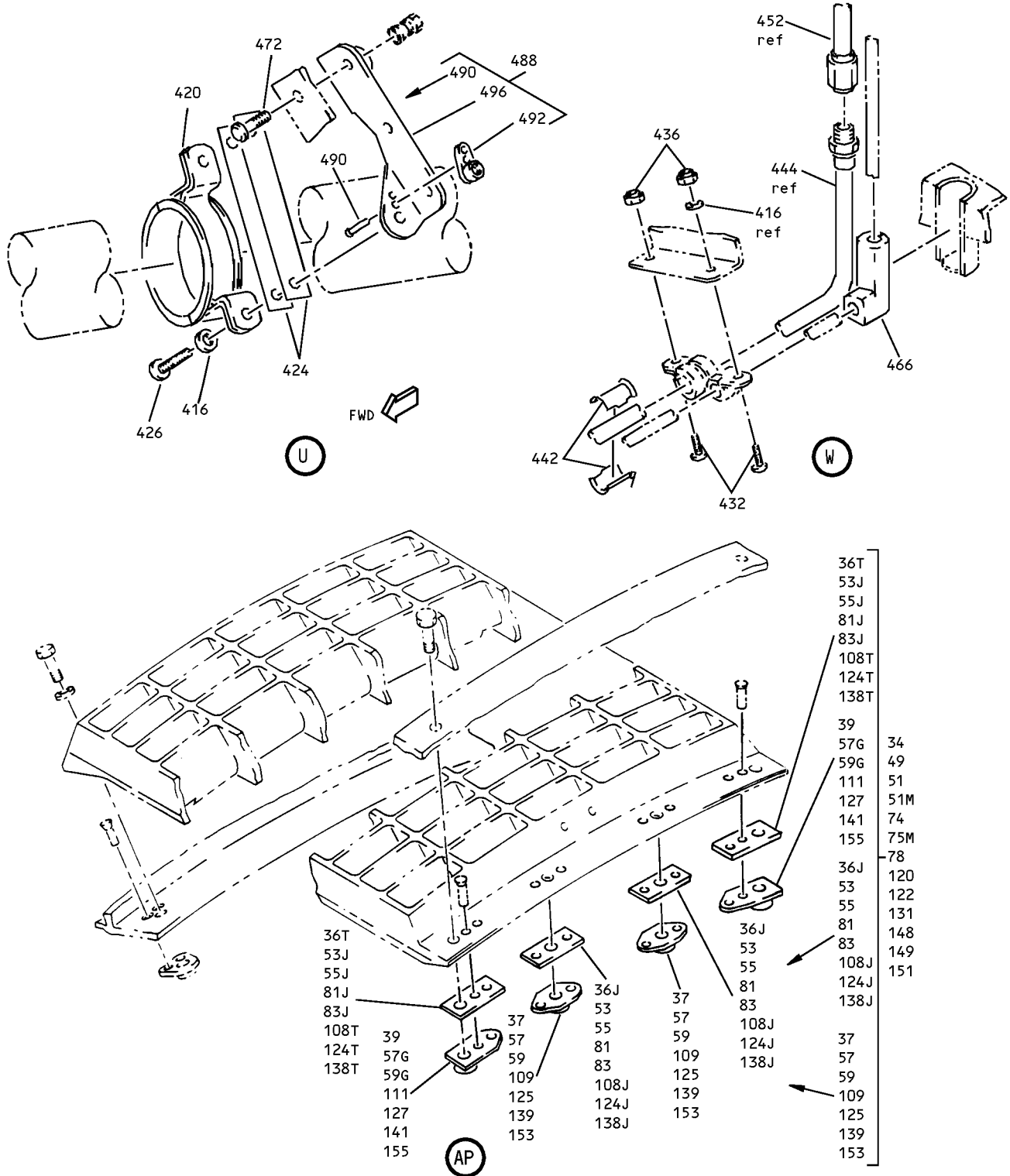


Engine Outboard and Inboard Side Fan Duct Cowling Assemblies
Figure 1 (Sheet 11)

71-11-32

ILLUSTRATED PARTS LIST
01.1 Page 10640
Jul 01/03

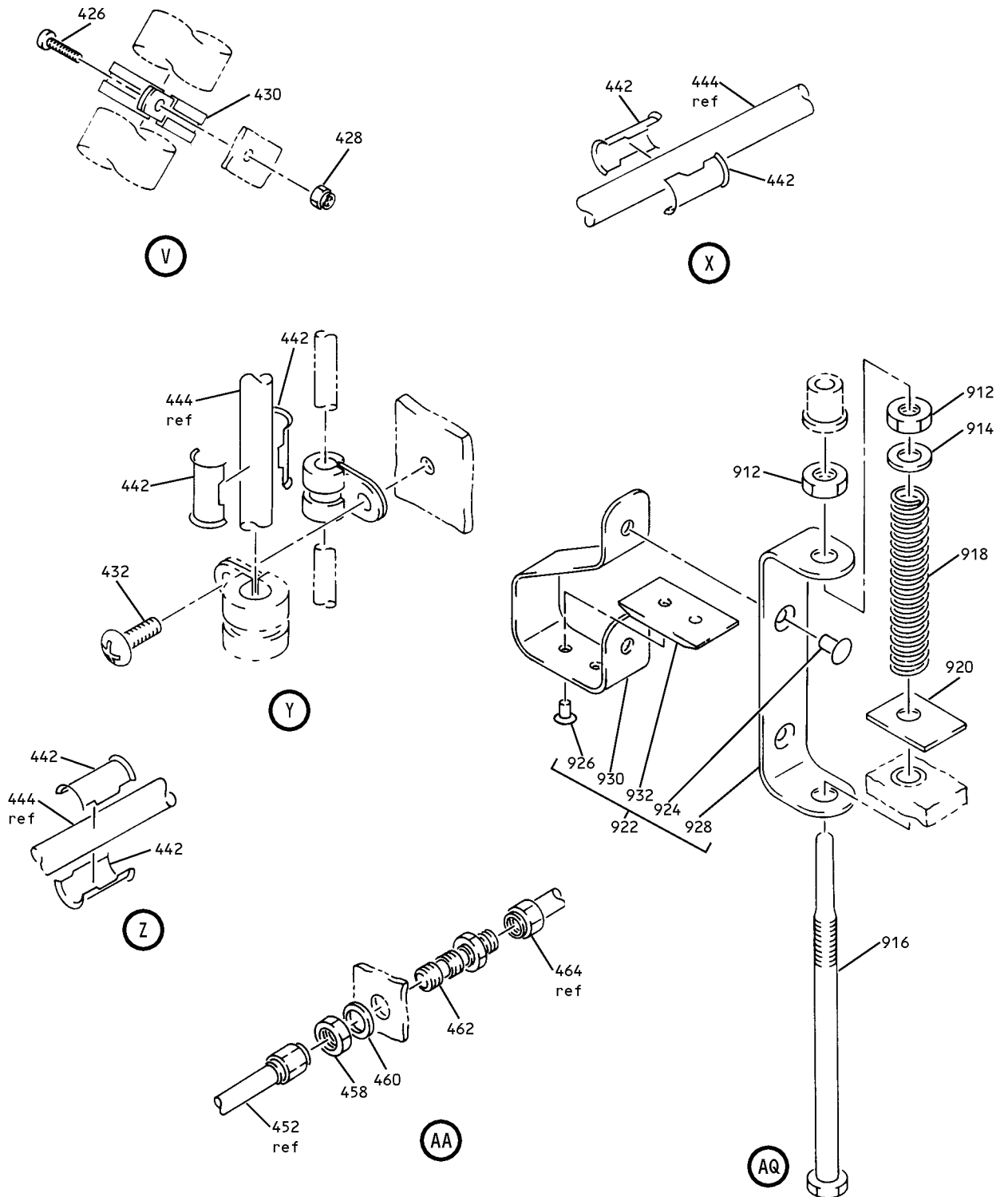
COMPONENT
MAINTENANCE MANUAL



Engine Outboard and Inboard Side Fan Duct Cowling Assemblies
Figure 1 (Sheet 12)

71-11-32

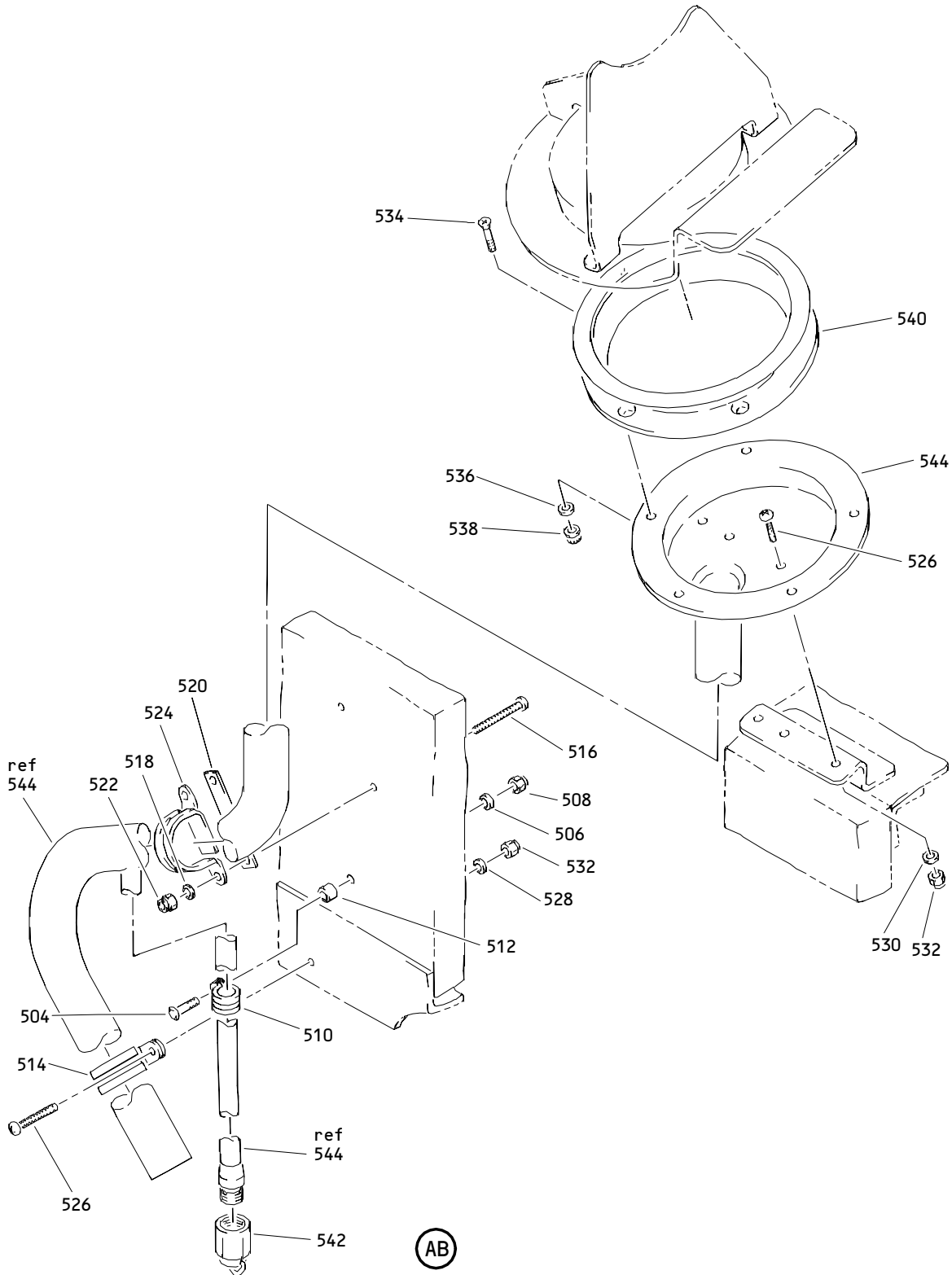
ILLUSTRATED PARTS LIST
01.1 Page 1064P
Jul 01/03



Engine Outboard and Inboard Side Fan Duct Cowling Assemblies
 Figure 1 (Sheet 13)

71-11-32

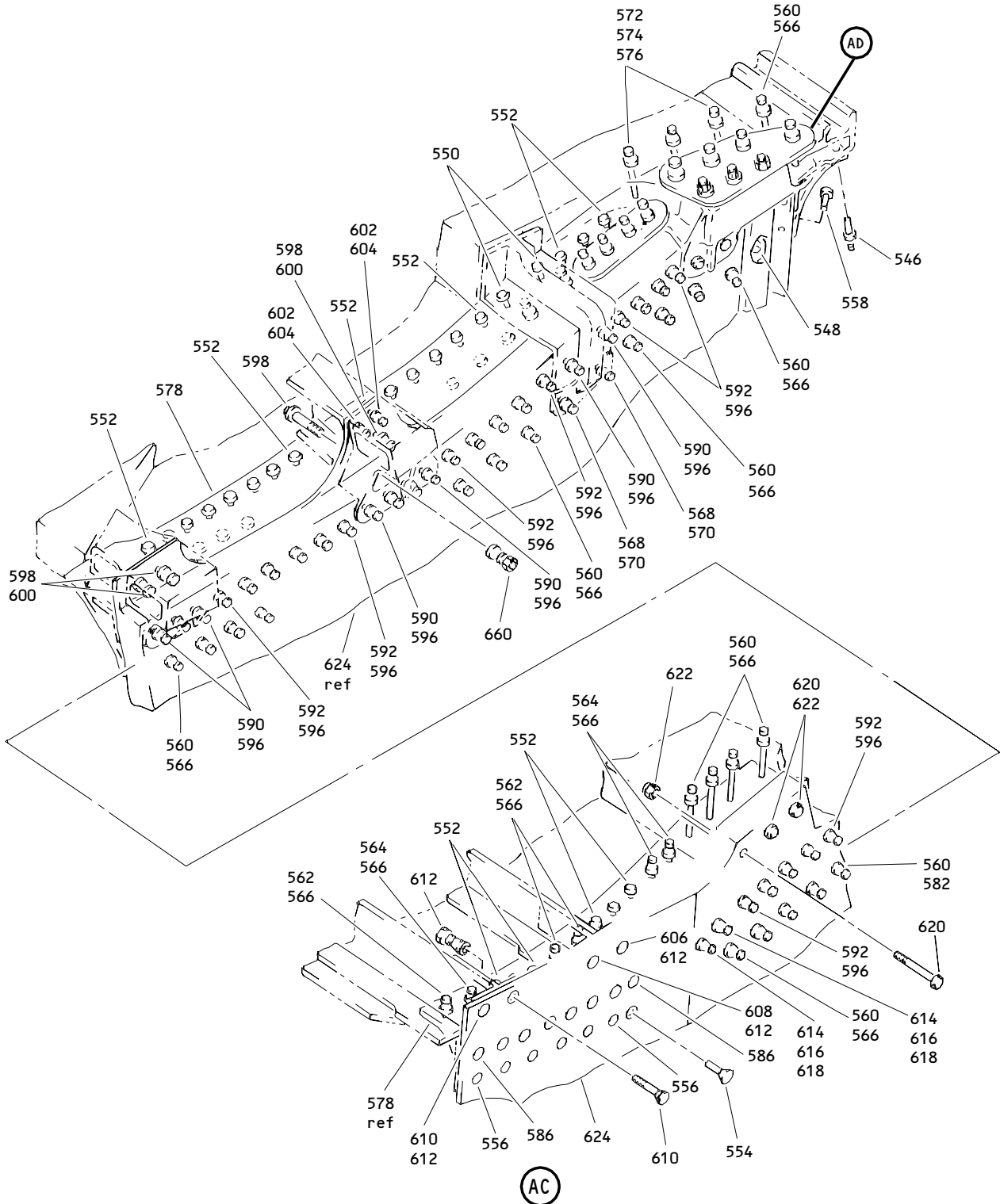
ILLUSTRATED PARTS LIST
 01.1 Page 1064Q
 Jul 01/03



Engine Outboard and Inboard Side Fan Duct Cowling Assemblies
 Figure 1 (Sheet 14)

71-11-32

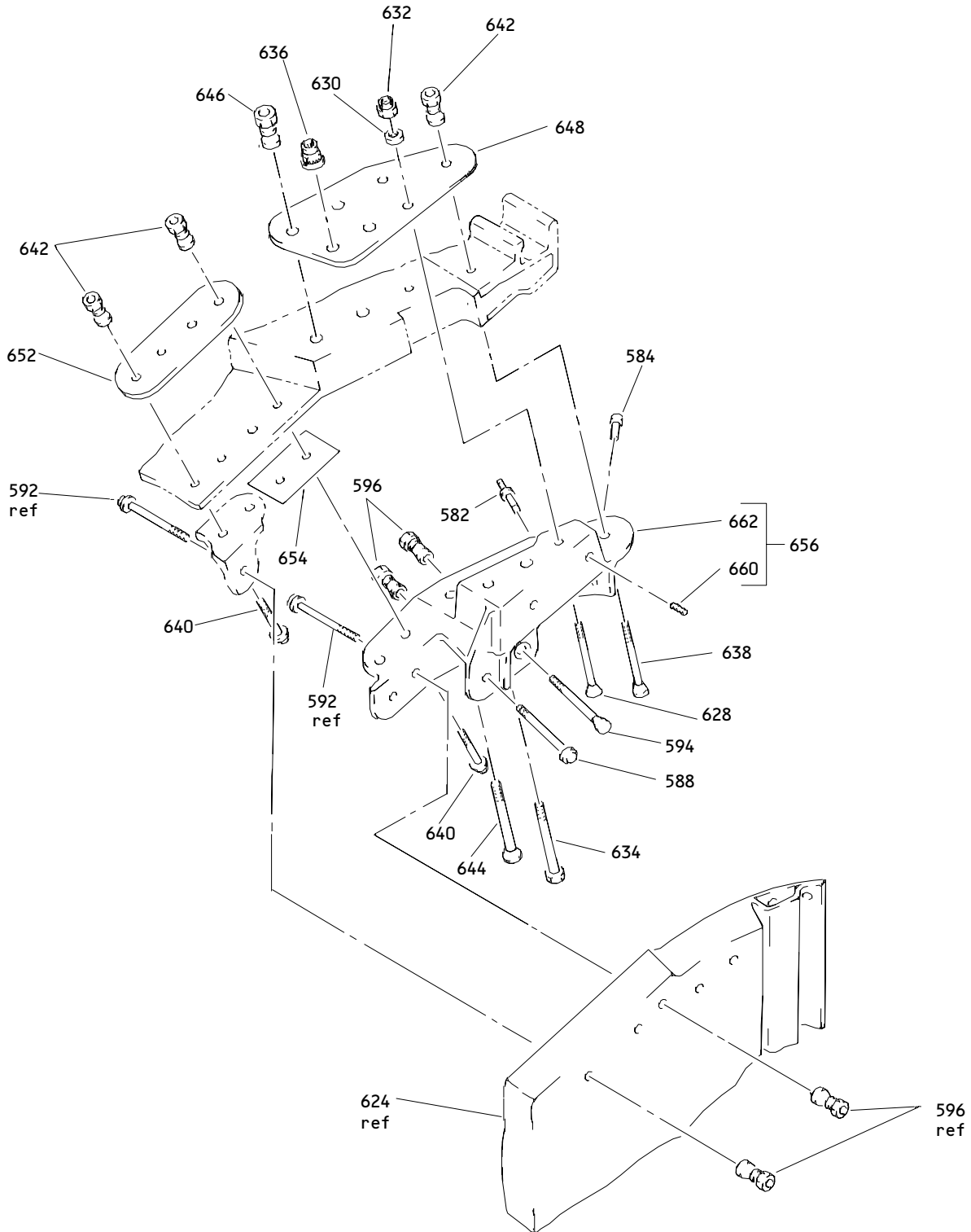
ILLUSTRATED PARTS LIST
 01.1 Page 1064R
 Jul 01/03



Engine Outboard and Inboard Side Fan Duct Cowling Assemblies
Figure 1 (Sheet 15)

71-11-32

ILLUSTRATED PARTS LIST
01.1 Page 1064S
Jul 01/03

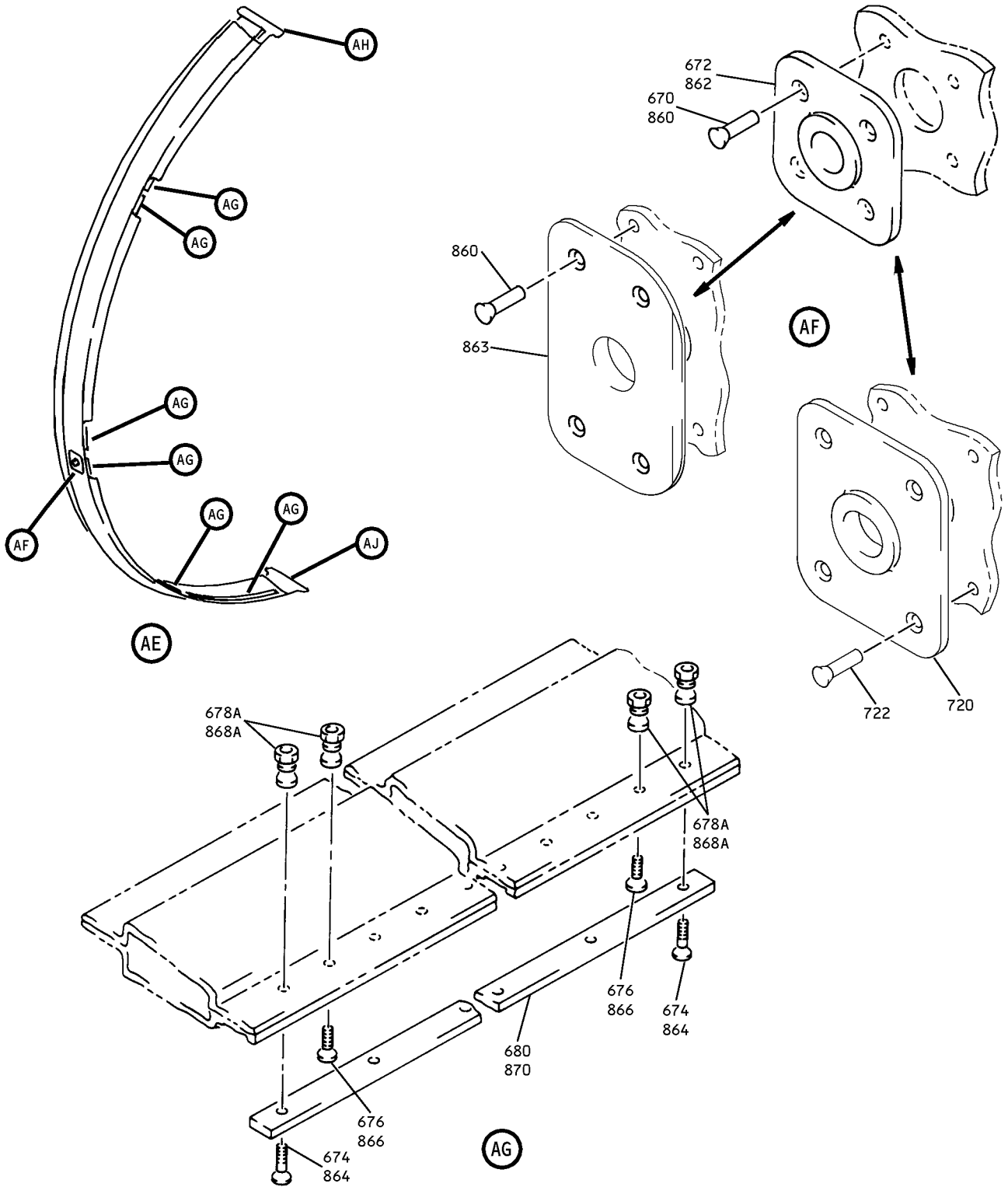


(AD)

Engine Outboard and Inboard Side Fan Duct Cowling Assemblies
 Figure 1 (Sheet 16)

71-11-32

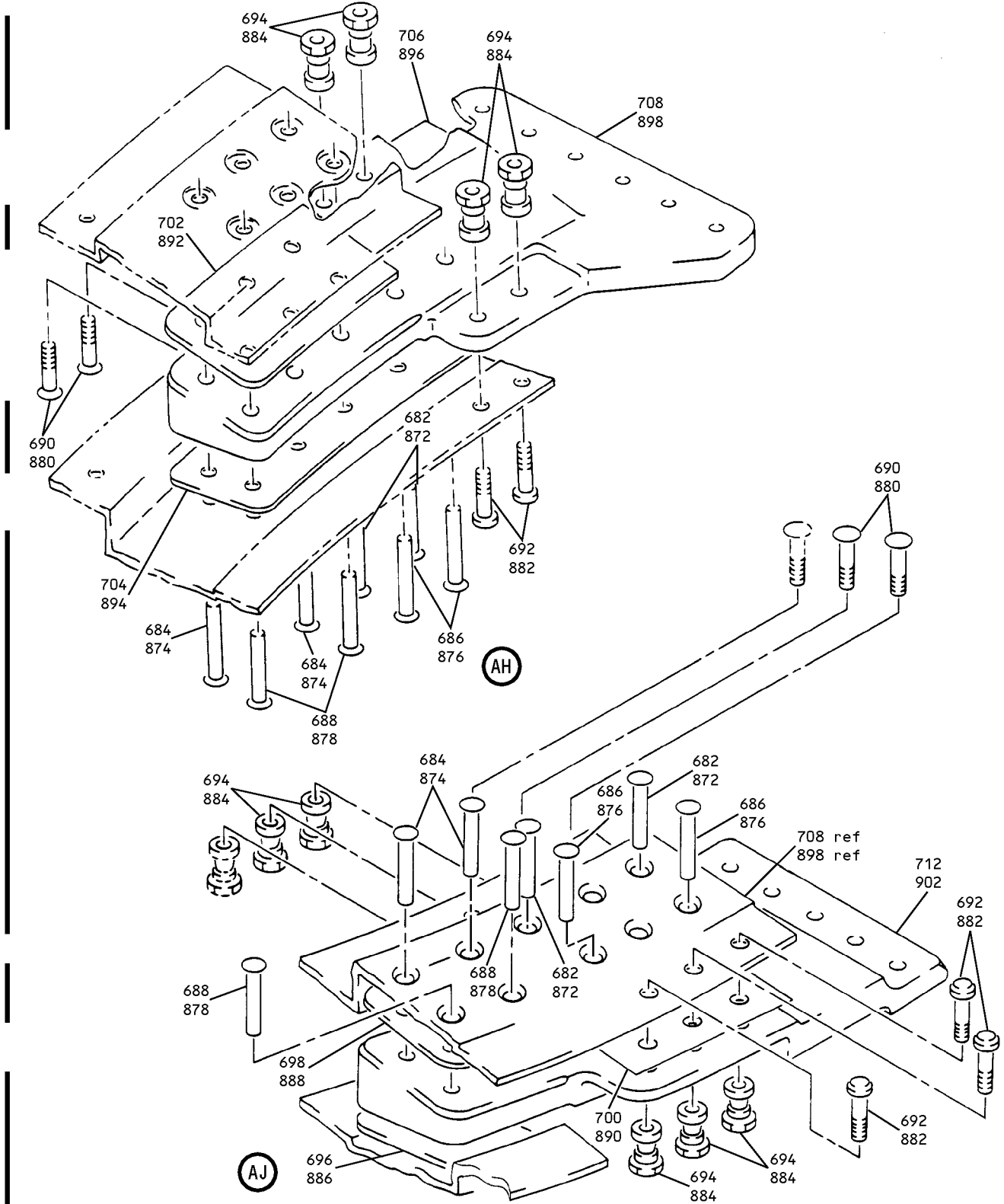
ILLUSTRATED PARTS LIST
 01.1 Page 1064T
 Jul 01/03



Engine Outboard and Inboard Side Fan Duct Cowling Assemblies
 Figure 1 (Sheet 17)

71-11-32

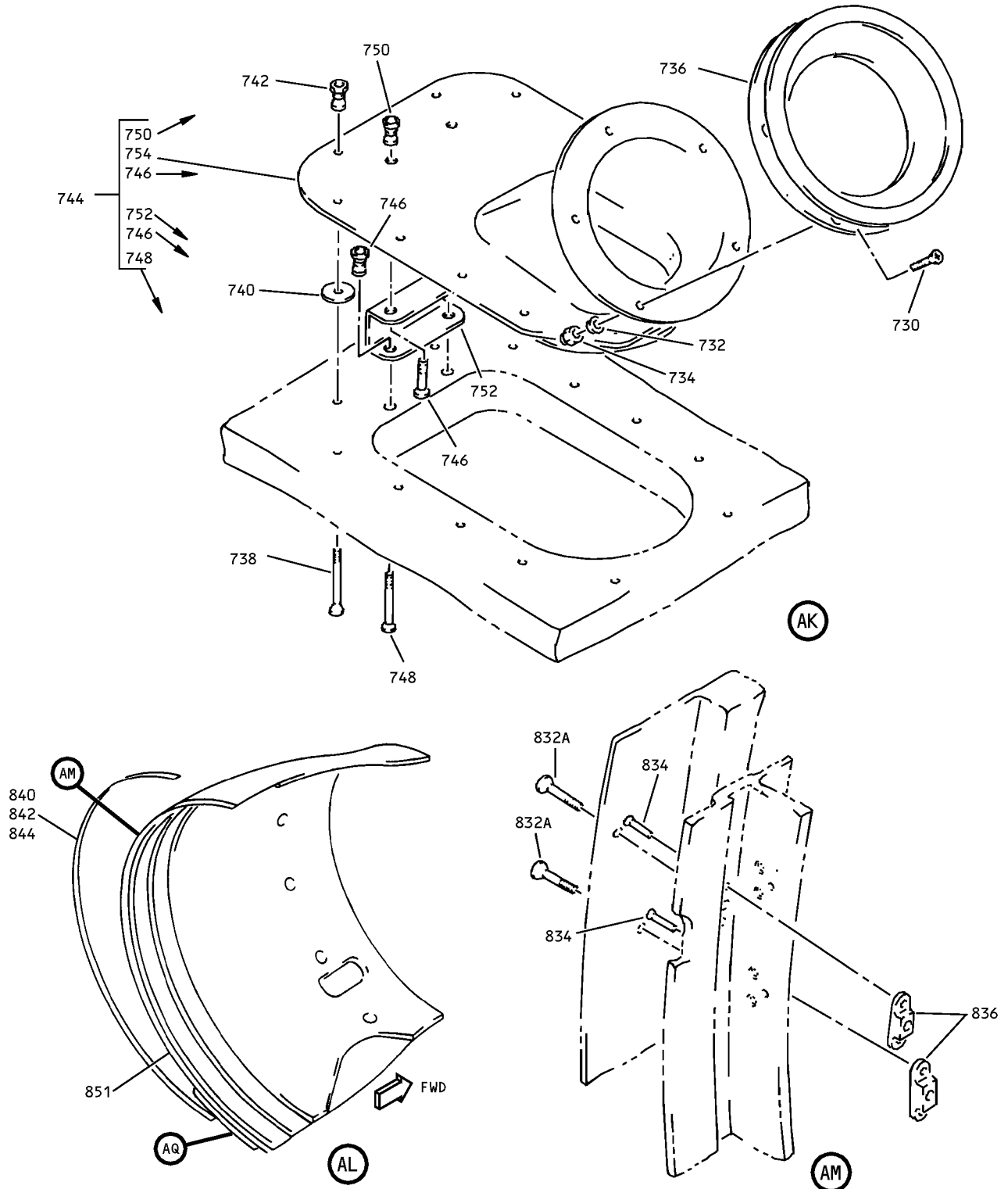
ILLUSTRATED PARTS LIST
 01.1 Page 1064U
 Jul 01/03



Engine Outboard and Inboard Side Fan Duct Cowling Assemblies
 Figure 1 (Sheet 18)

71-11-32

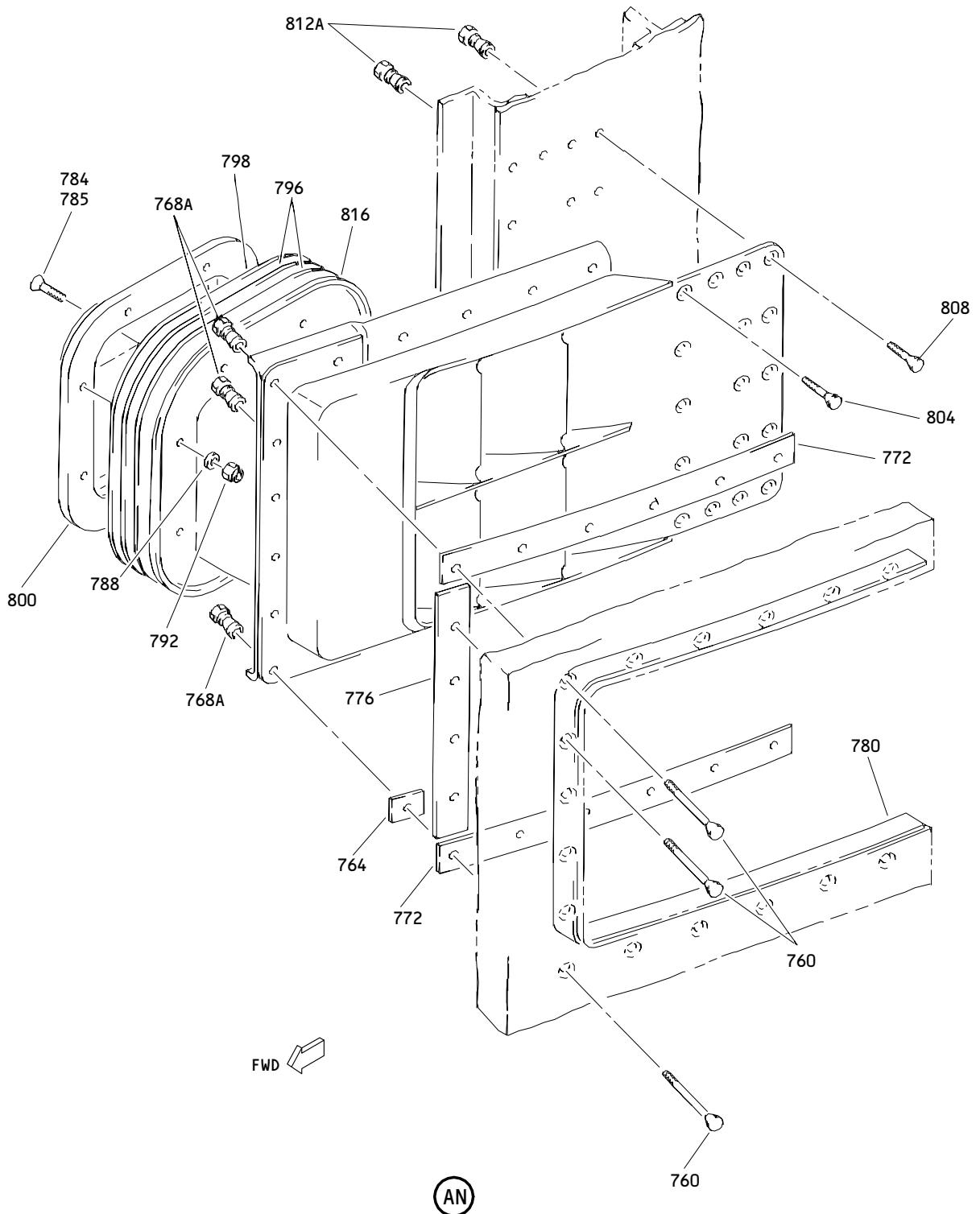
ILLUSTRATED PARTS LIST
 01.1 Page 1064V
 Jul 01/03



Engine Outboard and Inboard Side Fan Duct Cowling Assemblies
 Figure 1 (Sheet 19)

71-11-32

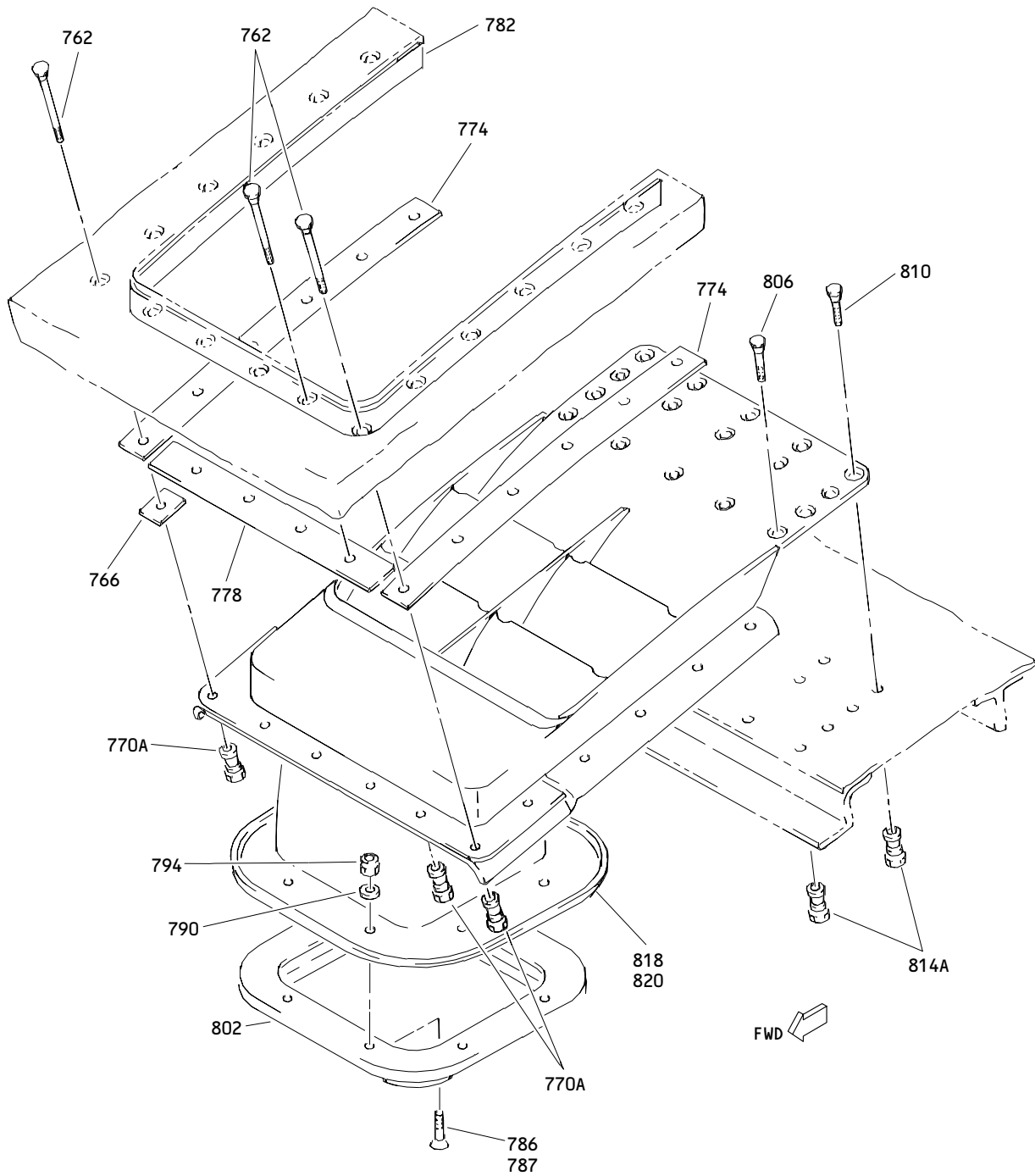
ILLUSTRATED PARTS LIST
 01.1 Page 1064W
 Jul 01/03



Engine Outboard and Inboard Side Fan Duct Cowling Assemblies
 Figure 1 (Sheet 20)

71-11-32

ILLUSTRATED PARTS LIST
 01.1 Page 1064X
 Jul 01/03

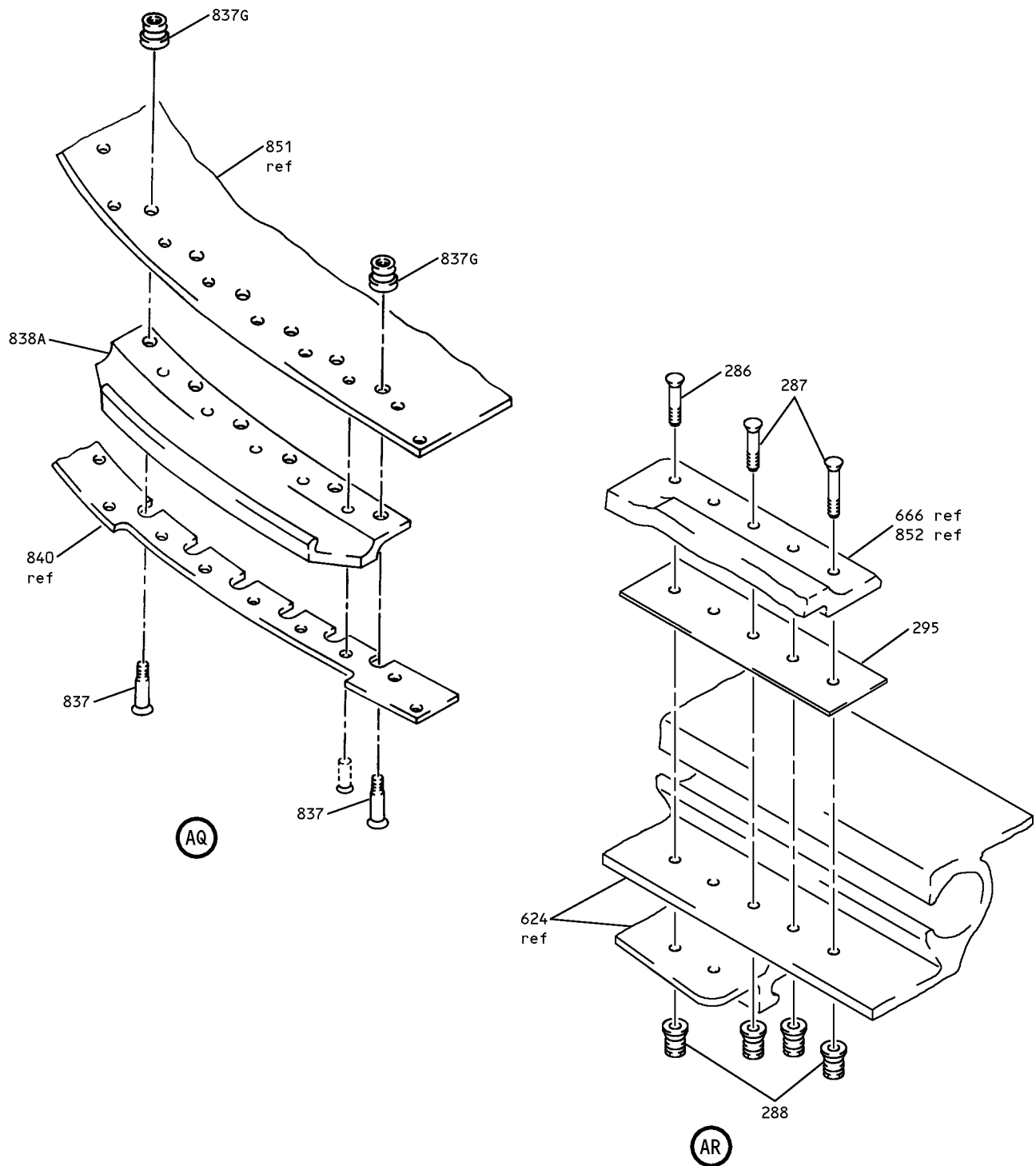


AP

Engine Outboard and Inboard Side Fan Duct Cowling Assemblies
 Figure 1 (Sheet 21)

71-11-32

ILLUSTRATED PARTS LIST
 01.1 Page 1064Y
 Jul 01/03



Engine Outboard and Inboard Side Fan Duct Cowling Assembly
 Figure 1 (Sheet 22)

71-11-32

ILLUSTRATED PARTS LIST
 01.1 Page 1064Z
 Jul 01/03


BOEING
 COMPONENT
 MAINTENANCE MANUAL

FIG. & ITEM	PART NO.	AIRLINE PART NUMBER	NOMENCLATURE 1234567	EFF CODE	QTY PER ASSY
01- -1	315T3002-63		COWL ASSY-ENG OUTBD SIDE FAN DUCT (LH)	A	RF
-1A	315T3002-67		COWL ASSY-ENG OUTBD SIDE FAN DUCT (LH) (FOR DETAILS SEE FIG. 10)	E	RF
-1B	315T3002-71		COWL ASSY-ENG OUTBD SIDE FAN DUCT (LH)	J	RF
-1C	315T3002-73		COWL ASSY-ENG OUTBD SIDE FAN DUCT (REWORK) (LH)	K	RF
-1D	315T3002-79		COWL ASSY-ENG OUTBD SIDE FAN DUCT (REWORK) (LH)	N	RF
-1E	315T3002-57		DELETED		
-1F	315T3002-89		DELETED		
-1G	315T3002-87		DELETED		
-1H	315T3002-83		DELETED		
-5	315T3002-64		COWL ASSY-ENG INBD SIDE FAN DUCT (LH)	B	RF
-5A	315T3002-68		COWL ASSY-ENG INBD SIDE FAN DUCT (LH) (FOR DETAILS SEE FIG. 10)	F	RF
-5B	315T3002-58		DELETED		
-5C	315T3002-90		DELETED		
-5D	315T3002-98		COWL ASSY-ENG INBD SIDE FAN DUCT (LH) (FOR DETAILS SEE FIG. 10)	AC	RF
-10	315T3002-65		COWL ASSY-ENG INBD SIDE FAN DUCT (RH)	C	RF
-10A	315T3002-69		COWL ASSY-ENG INBD SIDE FAN DUCT (RH) (FOR DETAILS SEE FIG. 10)	G	RF
-10B	315T3002-75		COWL ASSY-ENG INBD SIDE FAN DUCT (RH)	L	RF
-10C	315T3002-77		COWL ASSY-ENG INBD SIDE FAN DUCT (REWORK) (RH)	M	RF
-10D	315T3002-81		COWL ASSY-ENG INBD SIDE FAN DUCT (REWORK) (RH)	P	RF
-10E	315T3002-59		DELETED		
-10F	315T3002-91		DELETED		
-10G	315T3002-85		DELETED		
-15	315T3002-66		COWL ASSY-ENG OUTBD SIDE FAN DUCT (RH)	D	RF

71-11-32

ILLUSTRATED PARTS LIST

01.1

Page 1065

Jul 01/03

FIG. & ITEM	PART NO.	AIRLINE PART NUMBER	NOMENCLATURE 1234567	EFF CODE	QTY PER ASSY
01- -15A	315T3002-70		COWL ASSY-ENG OUTBD SIDE FAN DUCT (RH) (FOR DETAILS SEE FIG. 10)	H	RF
-15B	315T3002-60		DELETED		
-15C	315T3002-92		DELETED		
-15D	315T3002-88		COWL ASSY-ENG OUTBD SIDE FAN DUCT (REWORK) (RH)	Z	RF
-15E	315T3002-100		COWL ASSY-ENG OUTBD SIDE FAN DUCT (RH) (FOR DETAILS SEE FIG. 10)	AD	RF
20	BACB30NR4K6		.BOLT	A,D,J ,K,N, Y-AA	42
22	BACB30NR4K6		.BOLT	B,C,L ,M,P, AB	50
24	AN96OKD416L		.WASHER	A,D,J ,K,N, Y-AA	42
26	AN96OKD416L		.WASHER	B,C,L ,M,P, AB	50
28	BACB30NR4K8		.BOLT	A,D,J ,K,N, Y-AA	30
30	BACB30NR4K8		.BOLT	B,C,L ,M,P, AB	34
32	315T3210-9		.CASCADE ASSY-RADIAL FLOW (315T4210-1 WITH ITS ATTACHING PARTS I/W 315T3210-9 TOGETHER WITH ITS ATTACHING PARTS) (PRE SB 767-78-0020)	A,C, J-P	1
-32A	315T3210-9		.CASCADE ASSY-RADIAL FLOW (315T4210-1 WITH ITS ATTACHING PARTS I/W 315T3210-9 T/W ITS ATTACHING PARTS) (OPT ITEM 32B) (PRE SB 767-78-0020)	Y,AA, AB	1

71-11-32

ILLUSTRATED PARTS LIST

01.1

Page 1066

Jul 01/03


BOEING
 COMPONENT
 MAINTENANCE MANUAL

FIG. & ITEM	PART NO.	AIRLINE PART NUMBER	NOMENCLATURE 1234567	EFF CODE	QTY PER ASSY
01- -32B	315T3210-3		.CASCADE ASSY-RADIAL FLOW (315T4210-1 T/W ITS ATTACHING PARTS I/W 315T3210-3 T/W ITS ATTACHING PARTS) (OPT ITEM 32A) (PRE SB 767-78-0020)	Y,AA, AB	1
-32C	315T4210-1		.CASCADE ASSY-RADIAL FLOW (315T4210-1 WITH ITS ATTACHING PARTS I/W 315T3210-3 OR -9 T/W ITS ATTACHING PARTS) (POST SB 767-78-0020)	A,C, J-P,Y ,AA,A B	1
34	315T3210-10		.CASCADE ASSY-RADIAL FLOW (315T4210-2 WITH ITS ATTACHING PARTS I/W 315T3210-10 TOGETHER WITH ITS ATTACHING PARTS) (PRE SB 767-78-0020)	B,D	1
-34A	315T3210-10		.CASCADE ASSY-RADIAL FLOW (315T4210-2 WITH ITS ATTACHING PARTS I/W 315T3210-10 T/W ITS ATTACHING PARTS) (OPT ITEM 34B) (PRE SB 767-78-0020)	Z	1
-34B	315T3210-4		.CASCADE ASSY-RADIAL FLOW (315T4210-2 T/W ITS ATTACHING PARTS I/W 315T3210-4 T/W ITS ATTACHING PARTS) (OPT ITEM 34A) (PRE SB 767-78-0020)	Z	1
-34C	315T4210-1		.CASCADE ASSY-RADIAL FLOW (315T4210-2 WITH ITS ATTACHING PARTS I/W 315T3210-4 OR -10 T/W ITS ATTACHING PARTS) (POST SB 767-78-0020)	B,D,Z	1
36	BACR15CE3B		..RIVET- (SIZE DETERMINE ON INST) (USED ON ITEMS 32, 32A, 32B, 34, 34A, 34B)	A-D, J-P, Y-AB	8

71-11-32

ILLUSTRATED PARTS LIST

01.1 Page 1066A

Jul 01/03

FIG. & ITEM	PART NO.	AIRLINE PART NUMBER	NOMENCLATURE 1234567	EFF CODE	QTY PER ASSY
01-36J	315T4210-9		..SPACER-RADIUS FILLER (USED ON ITEMS 32C, 34C)	A-D, J-P, Y-AB	2
36T	315T4210-10		..SPACER-RADIUS FILLER (USED ON ITEMS 32C, 34C)	A-D, J-P, Y-AB	2
37	BRF200C4D		..NUTPLATE- (V52828) (SPEC BACN10JR4CFD) (OPT K51602-4BAC (V15653)) (OPT NS202476-048 (V80539)) (OPT 102F9201-4 (V72962)) (OPT T8092C428CD (V11815)) (USED ON ITEMS 32C, 34C)	A-D, J-P, Y-AB	2
38	M13640-048		..NUTPLATE- (V80539) (USED ON ITEMS 32, 32A, 32B, 34, 34A, 34B)	A-D, J-P, Y-AB	4
39	BRF100C4D		..NUTPLATE- (V52828) (SPEC BACN10KB4CFD) (OPT F51604-4 (V15653)) (OPT 102F9207P4 (V72962)) (OPT F51604-4 (V15653)) (USED ON ITEMS 32C, 34C)	A-D, J-P, Y-AB	2

71-11-32

 ILLUSTRATED PARTS LIST
 01.1 Page 1066B
 Jul 01/03


BOEING
 COMPONENT
 MAINTENANCE MANUAL

FIG. & ITEM	PART NO.	AIRLINE PART NUMBER	NOMENCLATURE 1234567	EFF CODE	QTY PER ASSY
01-40	BACR15BB3B		..RIVET- (SIZE DETERMINE ON INST)	A-D, J-P, Y-AB	2
42	69B97503-1		..TAG-IDENT (USED ON ITEMS 32, 32A, 32B, 34, 34A, 34B)	A-D, J-P, Y-AB	1
-42A	315T4210-11		..TAG-IDENT (OPT ITEM 42B) (USED ON ITEMS 32C, 34C)	A-D, J-P, Y-AB	1
-42B	69B97503-1		..TAG-IDENT (OPT ITEM 42A) (USED ON ITEMS 32C, 34C)	A-D, J-P, Y-AB	1
44	315T3210-12		..CASCADE- (USED ON ITEMS 32, 32A)	A,C, J-P,Y ,AA,A B	1
-44A	315T3210-6		..CASCADE- (USED ON ITEM 32B)	Y,AA, AB	1
-44B	315T4210-5		..CASCADE- (USED ON ITEMS 32C)	A-D, J-P, Y-AB	1
46	315T3210-13		..CASCADE- (USED ON ITEMS 34, 34A)	B,D,Z	1
-46A	315T3210-5		..CASCADE- (USED ON ITEM 34B)	Z	1
-46B	315T4210-6		..CASCADE- (USED ON ITEMS 34C)	B,D,Z	1

71-11-32

 ILLUSTRATED PARTS LIST
 01.1 Page 1066C
 Jul 01/03

FIG. & ITEM	PART NO.	AIRLINE PART NUMBER	NOMENCLATURE 1234567	EFF CODE	QTY PER ASSY
01-47	315T3210-8		.CASCADE ASSY-RADIAL FLOW (315T4210-3 WITH ITS ATTACHING PARTS I/W 315T3210-8 T/W ITS ATTACHING PARTS) (PRE SB 767-78-0020)	D	4
-47A	315T3210-8		.CASCADE ASSY-RADIAL FLOW (315T4210-3 WITH ITS ATTACHING PARTS I/W 315T3210-8 T/W ITS ATTACHING PARTS) (OPT ITEM 47B) (PRE SB 767-78-0020)	Z	4
-47B	315T3210-1		.CASCADE ASSY-RADIAL FLOW (315T4210-3 WITH ITS ATTACHING PARTS I/W 315T3210-1 T/W ITS ATTACHING PARTS) (OPT ITEM 47A) (PRE SB 767-78-0020)	Z	4
-47C	315T4210-3		.CASCADE ASSY-RADIAL FLOW (315T4210-3 WITH ITS ATTACHING PARTS I/W 315T3210-1 OR -8 T/W ITS ATTACHING PARTS) (OPT ITEM 47D, 47E) (POST SB 767-78-0020)	D,Z	4
-47D	315T4212-3		.CASCADE ASSY-RADIAL FLOW (315T4212-3 T/W ITS ATTACHING PARTS I/W 315T3212-3 OR -13 T/W ITS ATTACHING PARTS) (OPT ITEMS 47C, 47E) (POST SB 767-78-0020)	D,Z	4
-47E	315T4212-4		.CASCADE ASSY-RADIAL FLOW (315T4212-4 WITH ITS ATTACHING PARTS I/W 315T3212-4 OR -14 T/W ITS ATTACHING PARTS) (OPT ITEMS 47C, 47D) (POST SB 767-78-0020)	D,Z	4

71-11-32

 ILLUSTRATED PARTS LIST
 01.1 Page 1066D
 Jul 01/03


BOEING
 COMPONENT
 MAINTENANCE MANUAL

FIG. & ITEM	PART NO.	AIRLINE PART NUMBER	NOMENCLATURE 1234567	EFF CODE	QTY PER ASSY
01-48	315T3210-8		.CASCADE ASSY-RADIAL FLOW (315T4210-3 WITH ITS ATTACHING PARTS I/W 315T3210-8 TOGETHER WITH ITS ATTACHING PARTS) (PRE SB 767-78-0020)	A,J,K,N	4
-48A	315T3210-8		.CASCADE ASSY-RADIAL FLOW (315T4210-3 WITH ITS ATTACHING PARTS I/W 315T3210-8 T/W ITS ATTACHING PARTS) (OPT ITEM 48B) (PRE SB 767-78-0020)	Y,AA	4
-48B	315T3210-1		.CASCADE ASSY-RADIAL FLOW (315T4210-3 WITH ITS ATTACHING PARTS I/W 315T3210-1 T/W ITS ATTACHING PARTS) (OPT ITEM 48A) (PRE SB 767-78-0020)	Y,AA	4
-48C	315T3210-8		DELETED		
-48D	315T3210-1		DELETED		
-48E	315T4210-3		.CASCADE ASSY-RADIAL FLOW (315T4210-3 WITH ITS ATTACHING PARTS I/W 315T3210-1 OR -8 T/W ITS ATTACHING PARTS) (OPT ITEM 48F, 48G) (POST SB 767-78-0020)	A,J,K,N,Y,AA	4
-48F	315T4212-3		.CASCADE ASSY-RADIAL FLOW (315T4212-3 T/W ITS ATTACHING PARTS I/W 315T3212-3 OR -13 T/W ITS ATTACHING PARTS) (OPT ITEMS 48E, 48G) (POST SB 767-78-0020)	A,J,K,N,Y,AA	4
-48G	315T4212-4		.CASCADE ASSY-RADIAL FLOW (315T4212-4 WITH ITS ATTACHING PARTS I/W 315T3212-4 OR -14 T/W ITS ATTACHING PARTS) (OPT ITEMS 48E, 48F) (POST SB 767-78-0020)	A,J,K,N,Y,AA	4

71-11-32

 ILLUSTRATED PARTS LIST
 01.1 Page 1066E
 Jul 01/03

FIG. & ITEM	PART NO.	AIRLINE PART NUMBER	NOMENCLATURE 1234567	EFF CODE	QTY PER ASSY
01-49	315T3210-8		.CASCADE ASSY-RADIAL FLOW (315T4210-3 WITH ITS ATTACHING PARTS I/W 315T3210-8 T/W ITS ITS ATTACHING PARTS) (PRE SB 767-78-0020)	B,D	1
-49A	315T3210-1		.CASCADE ASSY-RADIAL FLOW (315T4210-3 WITH ITS ATTACHING PARTS I/W 315T3210-1 T/W ITS ATTACHING PARTS) (OPT ITEM 49B) (PRE SB 767-78-0020)	Z	1
-49B	315T3210-8		.CASCADE ASSY-RADIAL FLOW (315T4210-3 WITH ITS ATTACHING PARTS I/W 315T3210-8 T/W ITS ATTACHING PARTS) (OPT ITEM 49A) (PRE SB 767-78-0020)	Z	1
-49C	315T4210-3		.CASCADE ASSY-RADIAL FLOW (315T4210-3 WITH ITS ATTACHING PARTS I/W 315T3210-1 OR -8 T/W ITS ATTACHING PARTS) (OPT ITEM 49D, 49E) (POST SB 767-78-0020)	B,D,Z	1
-49D	315T4212-3		.CASCADE ASSY-RADIAL FLOW (315T4212-3 T/W ITS ATTACHING PARTS I/W 315T3212-3 OR -13 T/W ITS ATTACHING PARTS) (OPT ITEMS 49C, 49E) (POST SB 767-78-0020)	B,D,Z	1
-49E	315T4212-4		.CASCADE ASSY-RADIAL FLOW (315T4212-4 WITH ITS ATTACHING PARTS I/W 315T3212-4 OR -14 T/W ITS ATTACHING PARTS) (OPT ITEMS 49C, 49D) (POST SB 767-78-0020)	B,D,Z	1

71-11-32

 ILLUSTRATED PARTS LIST
 01.1 Page 1066F
 Jul 01/03


BOEING
 COMPONENT
 MAINTENANCE MANUAL

FIG. & ITEM	PART NO.	AIRLINE PART NUMBER	NOMENCLATURE 1234567	EFF CODE	QTY PER ASSY
01-50	315T3210-8		.CASCADE ASSY-RADIAL FLOW (315T4210-3 WITH ITS ATTACHING PARTS I/W 315T3210-8 TOGETHER WITH ITS ATTACHING PARTS) (PRE SB 767-78-0020)	C,L,M,P	1
-50A	315T3210-8		.CASCADE ASSY-RADIAL FLOW (315T4210-3 WITH ITS ATTACHING PARTS I/W 315T3210-8 T/W ITS ATTACHING PARTS) (OPT ITEM 50B) (PRE SB 767-78-0020)	AB	1
-50B	315T3210-1		.CASCADE ASSY-RADIAL FLOW (315T4210-3 WITH ITS ATTACHING PARTS I/W 315T3210-1 T/W ITS ATTACHING PARTS) (OPT ITEM 50A) (PRE SB 767-78-0020)	AB	1
-50C	315T4210-3		.CASCADE ASSY-RADIAL FLOW (315T4210-3 WITH ITS ATTACHING PARTS I/W 315T3210-1 OR -8 T/W ITS ATTACHING PARTS) (OPT ITEM 50D, 50E) (POST SB 767-78-0020)	C,L,M,P,AB	1
-50D	315T4212-3		.CASCADE ASSY-RADIAL FLOW (315T4212-3 T/W ITS ATTACHING PARTS I/W 315T3212-3 OR -13 T/W ITS ATTACHING PARTS) (OPT ITEMS 50C, 50E) (POST SB 767-78-0020)	C,L,M,P,AB	1
-50E	315T4212-4		.CASCADE ASSY-RADIAL FLOW (315T4212-4 WITH ITS ATTACHING PARTS I/W 315T3212-4 OR -14 T/W ITS ATTACHING PARTS) (OPT ITEMS 50C, 50D) (POST SB 767-78-0020)	C,L,M,P,AB	1

71-11-32

ILLUSTRATED PARTS LIST

01.1 Page 1066G

Jul 01/03

FIG. & ITEM	PART NO.	AIRLINE PART NUMBER	NOMENCLATURE 1234567	EFF CODE	QTY PER ASSY
01-51	315T3210-8		.CASCADE ASSY-RADIAL FLOW (315T4210-3 WITH ITS ATTACHING PARTS I/W 315T3210-8 TOGETHER WITH ITS ATTACHING PARTS) (PRE SB 767-78-0020)	A, J, K, N	1
-51A	315T3210-8		.CASCADE ASSY-RADIAL FLOW (315T4210-3 WITH ITS ATTACHING PARTS I/W 315T3210-8 T/W ITS ATTACHING PARTS) (OPT ITEM 51B) (PRE SB 767-78-0020)	Y	1
-51B	315T3210-1		.CASCADE ASSY-RADIAL FLOW (315T4210-3 WITH ITS ATTACHING PARTS I/W 315T3210-1 T/W ITS ATTACHING PARTS\$ (OPT ITEM 51A) (PRE SB 767-78-0020)	Y	1

71-11-32

 ILLUSTRATED PARTS LIST
 01.1 Page 1066H
 Jul 01/03


BOEING
 COMPONENT
 MAINTENANCE MANUAL

FIG. & ITEM	PART NO.	AIRLINE PART NUMBER	NOMENCLATURE 1234567	EFF CODE	QTY PER ASSY
01- -51C	315T4210-3		.CASCADE ASSY-RADIAL FLOW (315T4210-3 WITH ITS ATTACHING PARTS I/W 315T3210-1 OR -8 T/W ITS ATTACHING PARTS) (OPT ITEM 51D, 51E) (POST SB 767-78-0020)	A, J, K , N, Y	1
-51D	315T4212-3		.CASCADE ASSY-RADIAL FLOW (315T4212-3 T/W ITS ATTACHING PARTS I/W 315T3212 OR -13 T/W ITS ATTACHING PARTS) (OPT ITEMS 51C, 51E) (POST SB 767-78-0020)	A, J, K , N, Y	1
-51E	315T4212-4		.CASCADE ASSY-RADIAL FLOW (315T4212-4 WITH ITS ATTACHING PARTS I/W 315T3212-4 OR -14 T/W ITS ATTACHING PARTS) (OPT ITEMS 51C, 51D) (POST SB 767-78-0020)	A, J, K , N, Y	1
51M	315T3210-8		.CASCADE ASSY-RADIAL FLOW (315T4210-3 WITH ITS ATTACHING PARTS I/W 315T3210-8 T/W ITS ATTACHING PARTS) (OPT ITEM 51N) (PRE SB 767-78-0020)	AA	1
-51N	315T3210-1		.CASCADE ASSY-RADIAL FLOW (315T4210-3 WITH ITS ATTACHING PARTS I/W 315T3210-1 T/W ITS ATTACHING PARTS) (OPT ITEM 51M) (PRE SB 767-78-0020)	AA	1
-51P	315T4210-3		.CASCADE ASSY-RADIAL FLOW (315T4210-3 WITH ITS ATTACHING PARTS I/W 315T3210-1 OR -8 T/W ITS ATTACHING PARTS) (OPT ITEM 51Q, 51R) (POST SB 767-78-0020)	AA	1

71-11-32

ILLUSTRATED PARTS LIST

01.1 Page 1066I

Jul 01/03

**COMPONENT
MAINTENANCE MANUAL**

FIG. & ITEM	PART NO.	AIRLINE PART NUMBER	NOMENCLATURE 1234567	EFF CODE	QTY PER ASSY
01-51Q	315T4212-3		.CASCADE ASSY-RADIAL FLOW (315T4212-3 T/W ITS ATTACHING PARTS I/W 315T3212-3 OR -13 T/W ITS ATTACHING PARTS) (OPT ITEMS 51P, 51R) (POST SB 767-78-0020)	AA	1
-51R	315T4212-4		.CASCADE ASSY-RADIAL FLOW (315T4212-4 WITH ITS ATTACHING PARTS I/W 315T3212-4 OR -14 T/W ITS ATTACHING PARTS) (OPT ITEMS 51P, 51Q) (POST SB 767-78-0020)	AA	1
52	BACR15CE3B		..RIVET- (SIZE DETERMINE ON INST) (USED ON ITEMS 48, 48A, 48B, 49, 49A, 49B, 51, 51A, 51B, 51M, 51N)	A,D,J ,K,N, Y-AA	8
53	315T4210-9		..SPACER-RADIUS FILLER (USED ON ITEMS 47C, 47D, 47E, 48E, 48F, 48G, 49C, 49D, 49E, 51C, 51D, 51E, 51P, 51Q, 51R)	A,D,J ,K,N, Y-AA	2
53J	315T4210-10		..SPACER-RADIUS FILLER (USED ON ITEMS 47C, 47D, 47E, 48E, 48F, 48G, 49C, 49D, 49E, 51C, 51D, 51E, 51P, 51Q, 51R)	A,D,J ,K,N, Y-AA	2
54	BACR15CE3B		..RIVET- (SIZE DETERMINE ON INST) (USED ON ITEMS 50, 50A, 50B)	B,C,L ,M,P, AB	8
55	315T4210-9		..SPACER-RADIUS FILLER (USED ON ITEMS 50C, 50D, 50E)	B,C,L ,M,P, AB	2
55J	315T4210-10		..SPACER-RADIUS FILLER (USED ON ITEMS 50C, 50D, 50E)	B,C,L ,M,P, AB	2
56	M13640-048		..NUTPLATE- (V80539) (USED ON ITEMS 47, 47A, 47B, 48, 48A, 48B, 49, 49A, 49B, 51, 51A, 51B, 51M, 51N)	A,D,J ,K,N, Y-AA	4

71-11-32

ILLUSTRATED PARTS LIST
01.1 Page 1066J
Jul 01/03


BOEING
 COMPONENT
 MAINTENANCE MANUAL

FIG. & ITEM	PART NO.	AIRLINE PART NUMBER	NOMENCLATURE 1234567	EFF CODE	QTY PER ASSY
01-57	BRF200C4D		..NUTPLATE- (V52828) (SPEC BACN10JR4CFD) (OPT K51602-4BAC (V15653)) (OPT NS202476-048 (V80539)) (OPT 102F9201-4 (V72962)) (OPT T8092C428CD (V11815)) (USED ON ITEMS 47C, 47D, 47E, 48E, 48F, 48G, 49C, 49D, 49E, 51C, 51D, 51E 51P, 51Q, 51R)	A,D,J ,K,N, Y-AA	2
57G	BRF100C4D		..NUTPLATE- (V52828) (SPEC BACN10KB4CFD) (OPT F51604-4 (V15653)) (OPT 102F9207P4 (V72962)) (OPT F51604-4 (V15653)) (USED ON ITEMS 47C, 47D, 47E, 48E, 48F, 48G, 49C, 49D, 49E, 51C, 51D, 51E 51P, 51Q, 51R)	A,D,J ,K,N, Y-AA	2
58	M13640-048		..NUTPLATE- (V80539) (USED ON ITEMS 50, 50A, 50B)	B,C,L ,M,P, AB	4
59	BRF200C4D		..NUTPLATE- (V52828) (SPEC BACN10JR4CFD) (OPT K51602-4BAC (V15653)) (OPT NS202476-048 (V80539)) (OPT 102F9201-4 (V72962)) (OPT T8092C428CD (V11815)) (USED ON ITEMS 50C, 50D, 50E)	B,C,L ,M,P, AB	2

71-11-32

ILLUSTRATED PARTS LIST

01.1 Page 1066K

Jul 01/03

FIG. & ITEM	PART NO.	AIRLINE PART NUMBER	NOMENCLATURE 1234567	EFF CODE	QTY PER ASSY
01-59G	BRF100C4D		..NUTPLATE- (V52828) (SPEC BACN10KB4CFD) (OPT F51604-4 (V15653)) (OPT 102F9207P4 (V72962)) (OPT F51604-4 (V15653)) (USED ON ITEMS 50C, 50D, 50E)	B,C,L ,M,P, AB	2
60	BACR15BB3B		..RIVET- (SIZE DETERMINE ON INST)	A,D,J ,K,N, Y-AA	2
62	BACR15BB3B		..RIVET- (SIZE DETERMINE ON INST)	B,C,L ,M,P, AB	2
64	69B97503-1		..TAG-IDENT (USED ON ITEMS 47, 47A, 47B, 48, 48A, 48B, 49, 49A, 49B, 51, 51A, 51B, 51M, 51N)	A,D,J ,K,N, Y-AA	1
-64A	315T4210-11		DELETED		
-64B	315T4210-11		..TAG-IDENT (OPT ITEM 64C) (USED ON ITEMS 47C, 47D, 47E, 48E, 48F, 48G, 49C, 49D, 49E, 51C, 51D, 51E, 51P, 51Q, 51R)	A,D,J ,K,N, Y-AA	1
-64C	69B97503-1		..TAG-IDENT (OPT ITEM 64B) (USED ON ITEMS 47C, 47D, 47E, 48E, 48F, 48G, 49C, 49D, 49E, 51C, 51D, 51E, 51P, 51Q, 51R)	A,D,J ,K,N, Y-AA	1
66	69B97503-1		..TAG-IDENT (USED ON ITEMS 50, 50A, 50B)	B,C,L ,M,P, AB	1
-66A	315T4210-11		DELETED		
-66B	315T4210-11		..TAG-IDENT (OPT ITEM 66C) (USED ON ITEMS 50C, 50D, 50E)	B,C,L ,M,P, AB	1

71-11-32

 ILLUSTRATED PARTS LIST
 01.1 Page 1066L
 Jul 01/03


BOEING
 COMPONENT
 MAINTENANCE MANUAL

FIG. & ITEM	PART NO.	AIRLINE PART NUMBER	NOMENCLATURE 1234567	EFF CODE	QTY PER ASSY
01- -66C	69B97503-1		..TAG-IDENT (OPT ITEM 66B) (USED ON ITEMS 50C, 50D, 50E)	B,C,L ,M,P, AB	1
68	315T3210-11		..CASCADE- (USED ON ITEMS 47, 47A, 48, 48A, 49, 49B, 51, 51A, 51M)	A,D,J ,K,N, Y-AA	1
-68A	315T3210-7		..CASCADE- (USED ON ITEMS 47B, 48B, 49A, 51B, 51N)	Y-AA	1
-68B	315T4210-7		..CASCADE- (USED ON ITEMS 48E, 49C, 51C, 51P)	A,D,J ,K,N, Y-AA	1
-68C	315T4212-7		..CASCADE- (USED ON ITEMS 48F, 49D, 51D, 51Q)	A,D,J ,K,N, Y-AA	1
-68D	315T4212-8		..CASCADE- (USED ON ITEMS 48G, 49E, 51E, 51R)	A,D,J ,K,N, Y-AA	1
70	315T3210-11		..CASCADE- (USED ON ITEM 49, 50, 50A)	B,C,L ,M,P, AB	1
-70A	315T3210-7		..CASCADE- (USED ON ITEM 50B)	AB	1
-70B	315T4210-7		..CASCADE- (USED ON ITEM 50C)	B,C,L ,M,P, AB	1
-70C	315T4212-7		..CASCADE- (USED ON ITEM 50D)	B,C,L ,M,P, AB	1
-70D	315T4212-8		..CASCADE- (USED ON ITEM 50E)	B,C,L ,M,P, AB	1

71-11-32

 ILLUSTRATED PARTS LIST
 01.1 Page 1066M
 Jul 01/03

FIG. & ITEM	PART NO.	AIRLINE PART NUMBER	NOMENCLATURE 1234567	EFF CODE	QTY PER ASSY
01-72	315T3212-13		.CASCADE ASSY-39.2 DEG SKEWED (315T4212-3 WITH ITS ATTACHING PARTS I/W 315T3212-13 TOGETHER WITH ITS ATTACHING PARTS) (PRE SB 767-78-0020)	A,J,K,N	1
-72A	315T3212-13		.CASCADE ASSY-39.2 DEG SKEWED (315T4212-3 WITH ITS ATTACHING PARTS I/W 315T3212-13 T/W ITS ATTACHING PARTS) (OPT ITEM 72B) (PRE SB 767-78-0020)	Y,AA	1
-72B	315T3212-3		.CASCADE ASSY-39.2 DEG SKEWED (315T4212-3 WITH ITS ATTACHING PARTS I/W 315T3212-3 T/W ITS ATTACHING PARTS) (OPT ITEM 72A) (PRE SB 767-78-0020)	Y,AA	1
-72C	315T3212-13		DELETED		
-72D	315T3212-3		DELETED		
-72E	315T4212-3		.CASCADE ASSY-39.2 DEG SKEWED (315T4212-3 WITH ITS ATTACHING PARTS I/W 315T3212- 3 OR -13 T/W ITS ATTACHING PARTS) (OPT ITEM 72F) (POST SB 767-78-0020)	A,J,K,N,Y,AA	1
-72F	315T4210-3		.CASCADE ASSY-RADIAL FLOW (315T4210-3 WITH ITS ATTACHING PARTS I/W 315T3210-1 OR -8 T/W ITS ATTACHING PARTS) (OPT ITEM 72E) (POST SB 767-78-0020)	A,J,K,N,Y,AA	1

71-11-32

 ILLUSTRATED PARTS LIST
 01.1 Page 1066N
 Jul 01/03


BOEING
 COMPONENT
 MAINTENANCE MANUAL

FIG. & ITEM	PART NO.	AIRLINE PART NUMBER	NOMENCLATURE 1234567	EFF CODE	QTY PER ASSY
01-73	315T3212-13		DELETED		
-73A	315T3212-3		DELETED		
74	315T3212-13		.CASCADE ASSY-39.2 DEG SKEWED (315T4212-3 WITH ITS ATTACHING PARTS I/W 315T3212-13 TOGETHER WITH ITS ATTACHING PARTS) (PRE SB 767-78-0020)	C,L,M P	1
-74A	315T3212-13		.CASCADE ASSY-39.2 DEG SKEWED (315T4212-3 WITH ITS ATTACHING PARTS I/W 315T3212-13 T/W ITS ATTACHING PARTS) (OPT ITEM 74B) (PRE SB 767-78-0020)	AB	1
-74B	315T3212-3		.CASCADE ASSY-39.2 DEG SKEWED 315T4212-3 WITH ITS ATTACHING PARTS I/W 315T3212-3 T/W ITS ATTACHING PARTS) (OPT ITEM 74A) (PRE SB 767-78-0020)	AB	1
-74C	315T4212-3		.CASCADE ASSY-39.2 DEG SKEWED (315T4212-3 WITH ITS ATTACHING PARTS I/W 315T3212- 3 OR -13 T/W ITS ATTACHING PARTS) (OPT ITEM 74D) (POST SB 767-78-0020)	C,L,M P,AB	1
-74D	315T4210-3		.CASCADE ASSY-RADIAL FLOW (315T4210-3 WITH ITS ATTACHING PARTS I/W 315T3210-1 OR -8 T/W ITS ATTACHING PARTS) (OPT ITEM 74C) (POST SB 767-78-0020)	C,L,M P,AB	1

71-11-32

ILLUSTRATED PARTS LIST

01.1 Page 10660

Jul 01/03

FIG. & ITEM	PART NO.	AIRLINE PART NUMBER	NOMENCLATURE 1234567	EFF CODE	QTY PER ASSY
01- 75	315T3212-13		.CASCADE ASSY-39.2 DEG SKEWED (315T4212-3 WITH ITS ATTACHING PARTS I/W 315T3212-13 TOGETHER WITH ITS ATTACHING PARTS) (PRE SB 767-78-0020)	A, J, K , N	1

71-11-32

 ILLUSTRATED PARTS LIST
 01.1 Page 1066P
 Jul 01/03


BOEING
 COMPONENT
 MAINTENANCE MANUAL

FIG. & ITEM	PART NO.	AIRLINE PART NUMBER	NOMENCLATURE 1234567	EFF CODE	QTY PER ASSY
01- -75A	315T3212-13		.CASCADE ASSY-39.2 DEG SKEWED (315T4212-3 WITH ITS ATTACHING PARTS I/W 315T3212-13 T/W ITS ATTACHING PARTS) (OPT ITEM 75B) (PRE SB 767-78-0020)	Y	1
-75B	315T3212-3		.CASCADE ASSY-39.2 DEG SKEWED (315T4212-3 WITH ITS ATTACHING PARTS I/W 315T3212-3 T/W ITS ATTACHING PARTS) (OPT ITEM 75A) (PRE SB 767-78-0020)	Y	1
-75C	315T4212-3		.CASCADE ASSY-39.2 DEG SKEWED (315T4212-3 WITH ITS ATTACHING PARTS I/W 315T3212- 3 OR -13 T/W ITS ATTACHING PARTS) (OPT ITEM 75D) (POST SB 767-78-0020)	A, J, K , N, Y	1
-75D	315T4210-3		.CASCADE ASSY-RADIAL FLOW (315T4210-3 WITH ITS ATTACHING PARTS I/W 315T3210-1 OR -8 T/W ITS ATTACHING PARTS) (OPT ITEM 75C) (POST SB 767-78-0020)	A, J, K , N, Y	1
75M	315T3212-13		.CASCADE ASSY-39.2 DEG SKEWED (315T4212-3 WITH ITS ATTACHING PARTS I/W 315T3212-13 T/W ITS ATTACHING PARTS) (OPT ITEM 75N) (PRE SB 767-78-0020)	AA	1

71-11-32

ILLUSTRATED PARTS LIST

01.1 Page 1066Q

Jul 01/03

FIG. & ITEM	PART NO.	AIRLINE PART NUMBER	NOMENCLATURE 1234567	EFF CODE	QTY PER ASSY
01- -75N	315T3212-3		.CASCADE ASSY-39.2 DEG SKEWED (315T4212-3 WITH ITS ATTACHING PARTS I/W 315T3212-3 T/W ITS ATTACHING PARTS) (OPT ITEM 75M) (PRE SB 767-78-0020)	AA	1
-75P	315T4212-3		.CASCADE ASSY-39.2 DEG SKEWED (315T4212-3 WITH ITS ATTACHING PARTS I/W 315T3212- 3 OR -13 T/W ITS ATTACHING PARTS) (OPT ITEM 72Q) (POST SB 767-78-0020)	AA	1
-75Q	315T4210-3		.CASCADE ASSY-RADIAL FLOW (315T4210-3 WITH ITS ATTACHING PARTS I/W 315T3210-1 OR -8 T/W ITS ATTACHING PARTS) (OPT ITEM 75P) (POST SB 767-78-0020)	AA	1
76	315T3212-14		.CASCADE ASSY-39.2 DEG SKEWED (315T4214-4 WITH ITS ATTACHING PARTS I/W 315T3212-14 TOGETHER WITH ITS ATTACHING PARTS) (PRE SB 767-78-0020)	D	1
-76A	315T3212-14		.CASCADE ASSY-39.2 DEG SKEWED (315T4212-4 WITH ITS ATTACHING PARTS I/W 315T3212-14 T/W ITS ATTACHING PARTS) (OPT ITEM 76B) (PRE SB 767-78-0020)	Z	1

71-11-32

 ILLUSTRATED PARTS LIST
 01.1 Page 1066R
 Jul 01/03


BOEING
 COMPONENT
 MAINTENANCE MANUAL

FIG. & ITEM	PART NO.	AIRLINE PART NUMBER	NOMENCLATURE 1234567	EFF CODE	QTY PER ASSY
01- -76B	315T3212-4		.CASCADE ASSY-39.2 DEG SKEWED (315T4212-4 T/W ITS ATTACHING PARTS I/W 315T3212-4 T/W ITS ATTACHING PARTS) (OPT ITEM 76A) (PRE SB 767-78-0020)	Z	1
-76C	315T4212-4		.CASCADE ASSY-39.2 DEG SKEWED (315T4212-4 WITH ITS ATTACHING PARTS I/W 315T3212-4 OR -14 T/W ITS ATTACHING PARTS) (OPT ITEM 76D) (POST SB 767-78-0020)	D,Z	1
-76D	315T4210-3		.CASCADE ASSY-RADIAL FLOW (315T4210-3 WITH ITS ATTACHING PARTS I/W 315T3210-1 OR -8 T/W ITS ATTACHING PARTS) (OPT ITEM 76C) (POST SB 767-78-0020)	D,Z	1
77 -77A 78	315T3212-14 315T3212-4 315T3212-14		DELETED DELETED .CASCADE ASSY-39.2 DEG SKEWED (315T4212-4 WITH ITS ATTACHING PARTS I/W 315T3212-14 TOGETHER WITH ITS ATTACHING PARTS) (PRE SB 767-78-0020)	B	1
-78A	315T4212-4		.CASCADE ASSY-39.2 DEG SKEWED (315T4212-4 WITH ITS ATTACHING PARTS I/W 315T3212-4 OR -14 T/W ITS ATTACHING PARTS) (OPT ITEM 78B) (POST SB 767-78-0020)	B	1

71-11-32

 ILLUSTRATED PARTS LIST
 01.1 Page 1066S
 Jul 01/03

FIG. & ITEM	PART NO.	AIRLINE PART NUMBER	NOMENCLATURE 1234567	EFF CODE	QTY PER ASSY
01-78B	315T4210-3		.CASCADE ASSY-RADIAL FLOW (315T4210-3 WITH ITS ATTACHING PARTS I/W 315T3210-1 OR -8 T/W ITS ATTACHING PARTS) (OPT ITEM 78A) (POST SB 767-78-0020)	B	1
79	315T3212-14		.CASCADE ASSY-39.2 DEG SKEWED (315T4212-4 WITH ITS ATTACHING PARTS I/W 315T3212-14 TOGETHER WITH ITS ATTACHING PARTS) (PRE SB 767-78-0020)	D	1
-79A	315T3212-14		.CASCADE ASSY-39.2 DEG SKEWED (315T4212-4 WITH ITS ATTACHING PARTS I/W 315T3212-14 T/W ITS ATTACHING PARTS) (OPT ITEM 79B) (PRE SB 767-78-0020)	Z	1
-79B	315T3212-4		.CASCADE ASSY-39.2 DEG SKEWED (315T4212-4 WITH ITS ATTACHING PARTS I/W 315T3212-4 T/W ITS ATTACHING PARTS) (OPT ITEM 79A) (PRE SB 767-78-0020)	Z	1
-79C	315T4212-4		.CASCADE ASSY-39.2 DEG SKEWED (315T4212-4 WITH ITS ATTACHING PARTS I/W 315T3212-4 OR -14 T/W ITS ATTACHING PARTS) (OPT ITEM 79D) (POST SB 767-78-0020)	D,Z	1

71-11-32

 ILLUSTRATED PARTS LIST
 01.1 Page 1066T
 Jul 01/03


BOEING
 COMPONENT
 MAINTENANCE MANUAL

FIG. & ITEM	PART NO.	AIRLINE PART NUMBER	NOMENCLATURE 1234567	EFF CODE	QTY PER ASSY
01- -79D	315T4210-3		.CASCADE ASSY-RADIAL FLOW (315T4210-3 WITH ITS ATTACHING PARTS I/W 315T3210-1 OR -8 T/W ITS ATTACHING PARTS) (OPT ITEM 79C) (POST SB 767-78-0020)	D,Z	1
80	BACR15CE3B		..RIVET- (SIZE DETERMINE ON INST) (USED ON ITEMS 72, 72A, 72B, 75, 75A, 75B, 75M, 75N, 76, 76A, 76B, 79, 79A, 79B)	A,D,J ,K,N, Y-AA	4
81	315T4210-9		..SPACER-RADIUS FILLER (USED ON ITEMS 72E, 72F, 75C, 75D, 75P, 75Q, 76C, 76D, 79C, 79D)	A,D,J ,K,N, Y-AA	2
81J	315T4210-10		..SPACER-RADIUS FILLER (USED ON ITEMS 72E, 72F, 75C, 75D, 75P, 75Q, 76C, 76D, 79C, 79D)	A,D,J ,K,N, Y-AA	2
82	BACR15CE3B		..RIVET- (SIZE DETERMINE ON INST) (USED ON ITEMS 74, 74A, 74B, 78)	B,C,L ,M,P, AB	4
83	315T4210-9		..SPACER-RADIUS FILLER (USED ON ITEMS 74C, 74D, 78A, 78B)	B,C,L ,M,P, AB	2
83J	315T4210-10		..SPACER-RADIUS FILLER (USED ON ITEMS 74C, 74D, 78A, 78B)	B,C,L ,M,P, AB	2
84	M13640-048		..NUTPLATE- (V80539) (USED ON ITEMS 72, 72A, 72B, 75, 75A, 75B, 75M, 75N, 76, 76A, 76B, 79, 79A, 79B)	A,D,J ,K,N, Y-AA	2

71-11-32

ILLUSTRATED PARTS LIST

01.1 Page 1066U

Jul 01/03

FIG. & ITEM	PART NO.	AIRLINE PART NUMBER	NOMENCLATURE 1234567	EFF CODE	QTY PER ASSY
01- -85	BRF200C4D		..NUTPLATE- (V52828) (SPEC BACN10JR4CFD) (OPT K51602-4BAC (V15653)) (OPT NS202476-048 (V80539)) (OPT 102F9201-4 (V72962)) (OPT T8092C428CD (V11815)) (USED ON ITEMS 72E, 72F, 75C, 75D, 76C, 76D, 79A, 79B)	A,D,J ,K,N, Y-AA	2
-85G	BRF100C4D		..NUTPLATE- (V52828) (SPEC BACN10KB4CFD) (OPT F51604-4 (V15653)) (OPT 102F9207P4 (V72962)) (OPT F51604-4 (V15653)) (USED ON ITEMS 72E, 72F, 75C, 75D, 76C, 76D, 79A, 79B)	A,D,J ,K,N, Y-AA	2
86	M13640-048		..NUTPLATE- (V80539) (USED ON ITEMS 74, 74A, 74B, 78)	B,C,L ,M,P, AB	2
-87	BRF200C4D		..NUTPLATE- (V52828) (SPEC BACN10JR4CFD) (OPT K51602-4BAC (V15653)) (OPT NS202476-048 (V80539)) (OPT 102F9201-4 (V72962)) (OPT T8092C428CD (V11815)) (USED ON ITEMS 74C, 74D, 78A, 78B)	B,C,L ,M,P, AB	2

71-11-32

 ILLUSTRATED PARTS LIST
 01.1 Page 1066V
 Jul 01/03

BOEING
 COMPONENT
 MAINTENANCE MANUAL

FIG. & ITEM	PART NO.	AIRLINE PART NUMBER	NOMENCLATURE 1234567	EFF CODE	QTY PER ASSY
01- -87G	BRF100C4D		..NUTPLATE- (V52828) (SPEC BACN10KB4CFD) (OPT F51604-4 (V15653)) (OPT 102F9207P4 (V72962)) (OPT F51604-4 (V15653)) (USED ON ITEMS 74C, 74D, 78A, 78B)	B,C,L ,M,P, AB	2
88	BACR15BB3B		..RIVET- (SIZE DETERMINE ON INST)	A,D,J ,K,N, Y-AA	2
90	BACR15BB3B		..RIVET- (SIZE DETERMINE ON INST)	B,C,L ,M,P, AB	2
92	69B97503-1		..TAG-IDENT (USED ON ITEMS 72, 72A, 72B, 75, 75A, 75B, 75M, 75N, 76, 76A, 76B, 79, 79A, 79B)	A,D,J ,K,N, Y-AA	1
-92A -92B	315T4210-11 315T4210-11		DELETED ..TAG-IDENT (OPT ITEM 92C) (USED ON ITEMS 72E, 72F, 75C, 75D, 75P, 75Q, 76C, 76D, 79C, 79D)	A,D,J ,K,N, Y-AA	1
-92C	69B97503-1		..TAG-IDENT (OPT ITEM 92B) (USED ON ITEMS 72E, 72F, 75C, 75D, 75P, 75Q, 76C, 76D, 79C, 79D)	A,D,J ,K,N, Y-AA	1

71-11-32

ILLUSTRATED PARTS LIST
 01.1 Page 1066W
 Jul 01/03

FIG. & ITEM	PART NO.	AIRLINE PART NUMBER	NOMENCLATURE 1234567	EFF CODE	QTY PER ASSY
01-94	69B97503-1		..TAG-IDENT (USED ON ITEMS 74, 74A, 74B, 78)	B,C,L ,M,P, AB	1
-94A	315T4210-11		DELETED		
-94B	315T4210-11		..TAG-IDENT (OPT ITEM 94C) (USED ON ITEMS 74C, 74D, 78A, 78B)	B,C,L ,M,P, AB	1
-94C	69B97503-1		..TAG-IDENT (OPT ITEM 94B) (USED ON ITEMS 74C, 74D, 78A, 78B)	B,C,L ,M,P, AB	1
96	315T3212-17		..CASCADE- (USED ON ITEMS 72, 72A, 75, 75A, 75M)	A,J,K ,N, Y-AA	1
-96A	315T3212-7		..CASCADE- (USED ON ITEMS 72B, 75B, 75N)	Y,AA	1
-96B	315T4212-7		..CASCADE- (USED ON ITEMS 72E, 75C, 75P)	A,J,K ,N, Y-AA	1
-96C	315T4210-7		..CASCADE- (USED ON ITEMS 72F, 75D, 75Q)	A,J,K ,N, Y-AA	1
98	315T3212-17		..CASCADE- (USED ON ITEM 74, 74A)	C,L,M ,P,AB	1
-98A	315T3212-7		..CASCADE- (USED ON ITEM 74B)	AB	1
-98B	315T4212-7		..CASCADE- (USED ON ITEM 74C)	C,L,M ,P,AB	1
-98C	315T4210-7		..CASCADE- (USED ON ITEM 74D)	C,L,M ,P,AB	1
100	315T3212-18		..CASCADE- (USED ON ITEMS 76, 76A) 79, 79A)	D,Z	1
-100A	315T3212-8		..CASCADE- (USED ON ITEMS 76B, 79B)	Z	1
-100B	315T4212-8		..CASCADE- (USED ON ITEMS 76C, 79C)	D,Z	1
-100C	315T4210-7		..CASCADE- (USED ON ITEMS 76D, 79D)	D,Z	1

71-11-32

 ILLUSTRATED PARTS LIST
 01.1 Page 1066X
 Jul 01/03


BOEING
 COMPONENT
 MAINTENANCE MANUAL

FIG. & ITEM	PART NO.	AIRLINE PART NUMBER	NOMENCLATURE 1234567	EFF CODE	QTY PER ASSY
01-102	315T3212-18		..CASCADE- (USED ON ITEM 78)	B	1
-102A	315T4212-8		..CASCADE- (USED ON ITEM 78A)	B	1
-102B	315T4210-7		..CASCADE- (USED ON ITEMS 78B)	B	1
104	315T3212-11		.CASCADE ASSY-39.2 DEG SKEWED (315T4212-1 WITH ITS ATTACHING PARTS I/W 315T3212-11 TOGETHER WITH ITS ATTACHING PARTS) (PRE SB 767-78-0020)	A,J,K ,N	1
-104A	315T3212-11		.CASCADE ASSY-39.2 DEG SKEWED (315T4212-1 WITH ITS ATTACHING PARTS I/W 315T3212-11 T/W ITS ATTACHING PARTS) (OPT ITEM 104B) (PRE SB 767-78-0020)	Y,AA	1
-104B	315T3212-1		.CASCADE ASSY-39.2 DEG SKEWED (315T4212-1 WITH ITS ATTACHING PARTS I/W 315T3212-1 T/W ITS ATTACHING PARTS) (OPT ITEM 104A) (PRE SB 767-78-0020)	Y,AA	1
-104C	315T4212-1		.CASCADE ASSY-39.2 DEG SKEWED (315T4212-1 WITH ITS ATTACHING PARTS I/W 315T3212-1 OR -11 T/W ITS ATTACHING PARTS) (POST SB 767-78-0020)	A,J,K ,N,Y, AA	1

71-11-32

 ILLUSTRATED PARTS LIST
 01.1 Page 1066Y
 Jul 01/03

FIG. & ITEM	PART NO.	AIRLINE PART NUMBER	NOMENCLATURE 1234567	EFF CODE	QTY PER ASSY
01-106	315T3212-12		.CASCADE ASSY-39.2 DEG SKEWED (315T4212-2 WITH ITS ATTACHING PARTS I/W 315T3212-12 TOGETHER WITH ITS ATTACHING PARTS) (PRE SB 767-78-0020)	D	1
-106A	315T3212-12		.CASCADE ASSY-39.2 DEG SKEWED (315T4212-2 WITH ITS ATTACHING PARTS I/W 315T3212-12 T/W ITS ATTACHING PARTS) (OPT ITEM 106B) (PRE SB 767-78-0020)	Z	1
-106B	315T3212-2		.CASCADE ASSY-39.2 DEG SKEWED (315T4212-2 WITH ITS ATTACHING PARTS I/W 315T3212-2 T/W ITS ATTACHING PARTS) (OPT ITEM 106A) (PRE SB 767-78-0020)	Z	1
-106C	315T4212-2		.CASCADE ASSY-39.2 DEG SKEWED (315T4212-2 WITH ITS ATTACHING PARTS I/W 315T3212-2 OR -12 T/W ITS ATTACHING PARTS) (POST SB 767-78-0020)	D,Z	1

71-11-32

 ILLUSTRATED PARTS LIST
 01.1 Page 1066Z
 Jul 01/03


BOEING
 COMPONENT
 MAINTENANCE MANUAL

FIG. & ITEM	PART NO.	AIRLINE PART NUMBER	NOMENCLATURE 1234567	EFF CODE	QTY PER ASSY
01-108	BACR15CE3B		..RIVET- (SIZE DETERMINE ON INST) (USED ON ITEMS 104, 104A, 104B, 106, 106A, 106B)	A,D,J ,K,N, Y-AA	4
108J	315T4210-9		..SPACER-RADIUS FILLER (USED ON ITEMS 104C, 106C)	A,D,J ,K,N, Y-AA	2
108T	315T4210-10		..SPACER-RADIUS FILLER (USED ON ITEMS 104C, 106C)	A,D,J ,K,N, Y-AA	2
109	BRF200C4D		..NUTPLATE- (V52828) (SPEC BACN10JR4CFD) (OPT K51602-4BAC (V15653)) (OPT NS202476-048 (V80539)) (OPT 102F9201-4 (V72962)) (OPT T8092C428CD (V11815)) (USED ON ITEMS 104C, 106C)	A,D,J ,K,N, Y-AA	2
110	M13640-048		..NUTPLATE- (V80539) (USED ON ITEMS 104, 104A, 104B, 106, 106A, 106B)	A,D,J ,K,N, Y-AA	2

71-11-32

 ILLUSTRATED PARTS LIST
 01.1 Page 1067
 Jul 01/03

FIG. & ITEM	PART NO.	AIRLINE PART NUMBER	NOMENCLATURE 1234567	EFF CODE	QTY PER ASSY
01-111	BRF100C4D		..NUTPLATE- (V52828) (SPEC BACN10KB4CFD) (OPT F51604-4 (V15653)) (OPT 102F9207P4 (V72962)) (OPT F51604-4 (V15653)) (USED ON ITEMS 104C, 106C)	A,D,J ,K,N, Y-AA	2
112	BACR15BB3B		..RIVET- (SIZE DETERMINE ON INST)	A,D,J ,K,N, Y-AA	2
114	69B97503-1		..TAG-IDENT (USED ON ITEMS 104, 104A, 104B, 106, 106A, 106B)	A,D,J ,K,N, Y-AA	1
-114A	315T4210-11		..TAG-IDENT (OPT ITEM 114B) (USED ON ITEMS 104C, 106C)	A,D,J ,K,N, Y-AA	1
-114B	69B97503-1		..TAG-IDENT (OPT ITEM 114A) (USED ON ITEMS 104C, 106C)	A,D,J ,K,N, Y-AA	1
116	315T3212-15		..CASCADE- (USED ON ITEM 104, 104A)	A,J,K ,N,Y, AA	1
-116A	315T3212-5		..CASCADE- (USED ON ITEM 104B)	Y,AA	1
-116B	315T4212-5		..CASCADE- (USED ON ITEM 104C)	Y,AA	1
118	315T3212-16		..CASCADE- (USED ON ITEM 106, 106A)	D,Z	1
-118A	315T3212-6		..CASCADE- (USED ON ITEM 106B)	Z	1
-118B	315T4212-6		..CASCADE- (USED ON ITEM 106C)	Z	1

71-11-32

 ILLUSTRATED PARTS LIST
 01.1 Page 1068
 Jul 01/03


BOEING
 COMPONENT
 MAINTENANCE MANUAL

FIG. & ITEM	PART NO.	AIRLINE PART NUMBER	NOMENCLATURE 1234567	EFF CODE	QTY PER ASSY
01-120	315T3259-7		.CASCADE ASSY-58.25 DEG CURVED STRONGBACK (315T4259-1 WITH ITS ATTACHING PARTS I/W 315T3259-7 TOGETHER WITH ITS ATTACHING PARTS) (PRE SB 767-78-0020)	B	2
-120A	315T4259-1		.CASCADE ASSY-58.25 DEG CURVED STRONGBACK (315T4259-1 WITH ITS ATTACHING PARTS I/W 315T3259-7 T/W ITS ATTACHING PARTS) (POST SB 767-78-0020) (PRE SB 767-78-0069)	B	2
-120B	315T4259-7		.CASCADE ASSY-58.25 DEG CURVED STRONGBACK (OPT ITEM 120C) (POST SB 767-78-0069)	B	2
-120C	315T4259-9		.CASCADE ASSY-58.25 DEG CURVED STRONGBACK (OPT ITEM 120B) (POST SB 767-78-0069)	B	2
122	315T3259-8		.CASCADE ASSY-58.25 DEG CURVED STRONGBACK (315T4259-2 WITH ITS ATTACHING PARTS I/W 315T3259-8 TOGETHER WITH ITS ATTACHING PARTS) (PRE SB 767-78-0020)	C, L, M, P	2
-122A	315T3259-8		.CASCADE ASSY-58.25 DEG CURVED STRONGBACK (315T4259-2 WITH ITS ATTACHING PARTS I/W 315T3259-8 T/W ITS ATTACHING PARTS) (OPT ITEM 122B) (PRE SB 767-78-0020)	AB	2

71-11-32

 ILLUSTRATED PARTS LIST
 01.1 Page 1068A
 Jul 01/03

FIG. & ITEM	PART NO.	AIRLINE PART NUMBER	NOMENCLATURE 1234567	EFF CODE	QTY PER ASSY
01- -122B	315T3259-2		.CASCADE ASSY-58.25 DEG CURVED STRONGBACK (315T4259-2 WITH ITS ATTACHING PARTS I/W 315T3259-2 T/W ITS ATTACHING PARTS) (OPT ITEM 122A) (PRE SB 767-78-0020)	AB	2
-122D	315T4259-8		.CASCADE ASSY-58.25 DEG CURVED STRONGBACK (OPT ITEM 122E) (POST SB 767-78-0069)	C,L,M ,P,AB	2
-122E	315T4259-10		.CASCADE ASSY-58.25 DEG CURVED STRONGBACK (OPT ITEM 122D) (POST SB 767-78-0069)	C,L,M ,P,AB	2
124	BACR15CE3B		..RIVET- (SIZE DETERMINE ON INST) (USED ON ITEMS 120, 122, 122A, 122B)	B,C,L ,M,P, AB	8
124J	315T4210-9		..SPACER-RADIUS FILLER (USED ON ITEMS 120A, 120B, 120C, 122C, 122D, 122E)	B,C,L ,M,P, AB	2
124T	315T4210-10		..SPACER-RADIUS FILLER (USED ON ITEMS 120A, 120B, 120C, 122C, 122D, 122E)	B,C,L ,M,P, AB	2
125	BRF200C4D		..NUTPLATE- (V52828) (SPEC BACN10JR4CFD) (OPT K51602-4BAC (V15653)) (OPT NS202476-048 (V80539)) (OPT 102F9201-4 (V72962)) (OPT T8092C428CD (V11815)) (USED ON ITEMS 120A, 120B, 120C, 122C, 122D, 122E)	B,C,L ,M,P, AB	2

71-11-32

 ILLUSTRATED PARTS LIST
 01.1 Page 1068B
 Jul 01/03


BOEING
 COMPONENT
 MAINTENANCE MANUAL

FIG. & ITEM	PART NO.	AIRLINE PART NUMBER	NOMENCLATURE 1234567	EFF CODE	QTY PER ASSY
01-126	M13640-048		..NUTPLATE- (V80539) (USED ON ITEMS 120, 122, 122A, 122B)	B,C,L ,M,P	4
127	BRF100C4D		..NUTPLATE- (V52828) (SPEC BACN10KB4CFD) (OPT F51604-4 (V15653)) (OPT 102F9207P4 (V72962)) (OPT F51604-4 (V15653)) (USED ON ITEMS 120A, 120B, 120C, 122C, 122D, 122E)	B,C,L ,M,P, AB	2
128	BACR15BB3B		..RIVET- (SIZE DETERMINE ON INST)	B,C,L ,M,P, AB	2
130	69B97503-1		..TAG-IDENT	B,C,L ,M,P, AB	1
132	315T3259-9		..CASCADE- (USED ON ITEM 120)	B	1
-132A	315T4259-3		..CASCADE- (USED ON ITEMS 120A, 120B)	B	1
-132B	315T4259-11		..CASCADE- (USED ON ITEMS 120C)	B	1
134	315T3259-10		..CASCADE- (USED ON ITEM 122, 122A)	C,L,M ,P,AB	1
-134A	315T3259-4		..CASCADE- (USED ON ITEM 122B)	AB	1
-134B	315T4259-4		..CASCADE- (USED ON ITEM 122C, 122D)	C,L,M ,P,AB	1
-134C	315T4259-12		..CASCADE- (USED ON ITEM 122E)	C,L,M ,P,AB	1

71-11-32

 ILLUSTRATED PARTS LIST
 01.1 Page 1068C
 Jul 01/03

FIG. & ITEM	PART NO.	AIRLINE PART NUMBER	NOMENCLATURE 1234567	EFF CODE	QTY PER ASSY
01-136	315T3262-4		.CASCADE ASSY-90 DEG RADIAL FLOW (315T4262-1 WITH ITS ATTACHING PARTS I/W 315T3262-4 TOGETHER WITH ITS ATTACHING PARTS) (PRE SB 767-78-0020)	C,L,M,P	2
-136A	315T3262-4		.CASCADE ASSY-90 DEG RADIAL FLOW (315T4262-1 WITH ITS ATTACHING PARTS I/W 315T3262-4 T/W ITS ATTACHING PARTS) (OPT ITEM 136B) (PRE SB 767-78-0020)	AB	2
-136B	315T3262-1		.CASCADE ASSY-90 DEG RADIAL FLOW (315T4262-1 WITH ITS ATTACHING PARTS I/W 315T3262-1 T/W ITS ATTACHING PARTS) (OPT ITEM 136A) (PRE SB 767-78-0020)	AB	2
-136C	315T4262-1		.CASCADE ASSY-90 DEG RADIAL FLOW (315T4262-1 WITH ITS ATTACHING PARTS I/W 315T3262-1 OR -4 T/W ITS ATTACHING PARTS) (POST SB 767-78-0020)	C,L,M,P,AB	2
137	315T3262-4		.CASCADE ASSY-90 DEG RADIAL FLOW (315T4262-1 WITH ITS ATTACHING PARTS I/W 315T3262-4 T/W ITS ATTACHING PARTS) (PRE SB 767-78-0020)	B	2
-137A	315T4262-1		.CASCADE ASSY-90 DEG RADIAL FLOW (315T4262-1 WITH ITS ATTACHING PARTS I/W 315T3262-4 OR -1 T/W ITS ATTACHING PARTS) (POST SB 767-78-0020)	B	2

71-11-32

 ILLUSTRATED PARTS LIST
 01.1 Page 1068D
 Jul 01/03


BOEING
 COMPONENT
 MAINTENANCE MANUAL

FIG. & ITEM	PART NO.	AIRLINE PART NUMBER	NOMENCLATURE 1234567	EFF CODE	QTY PER ASSY
01-138	BACR15CE3B		..RIVET- (SIZE DETERMINE ON INST) (USED ON ITEMS 136, 136A, 136B, 137)	B,C,L ,M,P, AB	8
138J	315T4210-9		..SPACER-RADIUS FILLER (USED ON ITEMS 136C, 137)	B,C,L ,M,P, AB	2
138T	315T4210-10		..SPACER-RADIUS FILLER (USED ON ITEMS 136C, 137)	B,C,L ,M,P, AB	2
139	BRF200C4D		..NUTPLATE- (V52828) (SPEC BACN10JR4CFD) (OPT K51602-4BAC (V15653)) (OPT NS202476-048 (V80539)) (OPT 102F9201-4 (V72962)) (OPT T8092C428CD (V11815)) (USED ON ITEMS 136C, 137A)	B,C,L ,M,P, AB	2
140	M13640-048		..NUTPLATE- (V80539) (USED ON ITEMS 136, 136A, 136B, 137)	B,C,L ,M,P, AB	4
141	BRF100C4D		..NUTPLATE- (V52828) (SPEC BACN10KB4CFD) (OPT F51604-4 (V15653)) (OPT 102F9207P4 (V72962)) (OPT F51604-4 (V15653)) (USED ON ITEMS 136C, 137A)	B,C,L ,M,P, AB	2
142	BACR15BB3B		..RIVET- (SIZE DETERMINE ON INST)	B,C,L ,M,P, AB	2
144	69B97503-1		..TAG-IDENT	B,C,L ,M,P, AB	1

71-11-32

ILLUSTRATED PARTS LIST

01.1 Page 1068E

Jul 01/03

FIG. & ITEM	PART NO.	AIRLINE PART NUMBER	NOMENCLATURE 1234567	EFF CODE	QTY PER ASSY
01-146	315T3262-5		..CASCADE- (USED ON ITEM 136, 136A, 137)	B,C,L ,M,P, AB	1
-146A	315T3262-2		..CASCADE- (USED ON ITEM 136B)	AB	1
-146B	315T4262-2		..CASCADE- (USED ON ITEMS 136C, 137A)	B,C,L ,M,P, AB	1
148	315T3214-8		.CASCADE ASSY-CURVED STRONGBACK (315T4214-4 TOGETHER WITH ITS ATTACHING PARTS I/W 315T3214-8 TOGETHER WITH ITS ATTACHING PARTS IN POSITION NO. 24 ONLY) (315T4214-2 WITH ITS ATTACHING PARTS I/W 315T3214-8 T/W ITS ATTACHING PARTS IN POSITION NO. 18 ONLY) (PRE SB 767-78-0020)	C,L,M ,P	1
-148A	315T3214-7		DELETED		
-148B	315T3214-8		.CASCADE ASSY-CURVED STRONGBACK (315T4214-2 WITH ITS ATTACHING PARTS I/W 315T3214-8 T/W ITS ATTACHING PARTS IN POSITION NO. 18 ONLY) (315T4214-4 T/W ITS ATTACHING PARTS I/W 315T3214-8 T/W ITS ATTACHING PARTS IN POSITION NO. 24 ONLY) (OPT ITEM 148C) (PRE SB 767-78-0020)	AB	1

71-11-32

 ILLUSTRATED PARTS LIST
 01.1 Page 1068F
 Jul 01/03


BOEING
 COMPONENT
 MAINTENANCE MANUAL

FIG. & ITEM	PART NO.	AIRLINE PART NUMBER	NOMENCLATURE 1234567	EFF CODE	QTY PER ASSY
01- -148C	315T3214-2		.CASCADE ASSY-CURVED STRONGBACK (315T4214-2 WITH ITS ATTACHING PARTS I/W 315T3214-8 T/W ITS ATTACHING PARTS IN POSITION NO. 18 ONLY) (315T4214-4 T/W ITS ATTACHING PARTS I/W 315T3214-2 T/W ITS ATTACHING PARTS IN POSITION NO. 24 ONLY) (OPT ITEM 148B) (PRE SB 767-78-0020)	AB	1
-148D	315T4214-2		.CASCADE ASSY-CURVED STRONGBACK (315T4214-2 WITH ITS ATTACHING PARTS I/W 315T3214-8 OR -2 T/W ITS ATTACHING PARTS IN POSITION NO. 18 ONLY) (OPT ITEM 148E) (POST SB 767-78-0020)	C,L,M ,P,AB	1
-148E	315T4214-4		.CASCADE ASSY-CURVED STRONGBACK (315T4214-4 WITH ITS ATTACHING PARTS I/W 315T3214-8 OR -2 T/W ITS ATTACHING PARTS IN POSITION NO. 24 ONLY) (OPT ITEM 148D) (POST SB 767-78-0020)	C,L,M ,P,AB	1
149	315T3214-7		.CASCADE ASSY-CURVED STRONGBACK (315T4214-3 T/W ITS ATTACHING PARTS I/W 315T3214-7 T/W ITS ATTACHING PARTS IN POSITION NO. 15 ONLY) (315T4214-1 T/W ITS ATTACHING PARTS I/W 315T3214-7 T/W ITS ATTACHING PARTS IN POSITION NO. 27 ONLY) (PRE SB 767-78-0020)	B	1

71-11-32

ILLUSTRATED PARTS LIST

01.1 Page 1068G

Jul 01/03

FIG. & ITEM	PART NO.	AIRLINE PART NUMBER	NOMENCLATURE 1234567	EFF CODE	QTY PER ASSY
01- -149A	315T4214-3		. CASCADE ASSY-CURVED STRONGBACK (315T4214-3 WITH ITS ATTACHING PARTS I/W 315T3214-7 OR -1 T/W ITS ATTACHING PARTS IN POSITION NO. 15 ONLY) (OPT ITEM 149B) (POST SB 767-78-0020)	B	1
-149B	315T4214-1		. CASCADE ASSY-CURVED STRONGBACK (315T4214-1 T/W ITS ATTACHING PARTS I/W 315T3214-7 OR -1 T/W ITS ATTACHING PARTS IN POSITION NO. 27 ONLY) (OPT ITEM 149A) (POST SB 767-78-0020)	B	1
150	315T3214-7		. CASCADE ASSY-CURVED STRONGBACK (315T4214-1 TOGETHER WITH ITS ATTACHING PARTS I/W 315T3214-7 TOGETHER WITH ITS ATTACHING PARTS IN POSITION NO. 27 ONLY) (315T4214-3 T/W ITS ATTACHING PARTS I/W 315T3214-7 T/W ITS ATTACHING PARTS IN POSITION NO. 15 ONLY) (PRE SB 767-78-0020)	C, L, M P	1
-150A	315T3214-8		DELETED		

71-11-32

 ILLUSTRATED PARTS LIST
 01.1 Page 1068H
 Jul 01/03


BOEING
 COMPONENT
 MAINTENANCE MANUAL

FIG. & ITEM	PART NO.	AIRLINE PART NUMBER	NOMENCLATURE 1234567	EFF CODE	QTY PER ASSY
01- -150B	315T3214-7		.CASCADE ASSY-CURVED STRONGBACK (315T4214-3 T/W ITS ATTACHING PARTS I/W 315T3214-7 T/W ITS ATTACHING PARTS IN POSITION NO. 15 ONLY) (315T4214-1 T/W ITS ATTACHING PARTS I/W 315T3214-7 T/W ITS ATTACHING PARTS IN POSITION NO. 27 ONLY) (OPT ITEM 150C) (PRE SB 767-78-0020)	AB	1
-150C	315T3214-1		.CASCADE ASSY-CURVED STRONGBACK (315T4214-3 T/W ITS ATTACHING PARTS I/W 315T3214-1 T/W ITS ATTACHING PARTS IN POSITION NO. 15 ONLY) (315T4214-1 T/W ITS ATTACHING PARTS I/W 315T3214-1 T/W ITS ATTACHING PARTS IN POSITION NO. 27 ONLY) (OPT ITEM 150B) (PRE SB 767-78-0020)	AB	1
-150D	315T4214-3		.CASCADE ASSY-CURVED STRONGBACK (315T4214-3 WITH ITS ATTACHING PARTS I/W 315T3214-7 OR -1 T/W ITS ATTACHING PARTS IN POSITION NO. 15 ONLY) (OPT ITEM 150E) (POST SB 767-78-0020)	C,L,M P,AB	1

71-11-32

ILLUSTRATED PARTS LIST

01.1 Page 1068I

Jul 01/03

FIG. & ITEM	PART NO.	AIRLINE PART NUMBER	NOMENCLATURE 1234567	EFF CODE	QTY PER ASSY
01- -150E	315T4214-1		.CASCADE ASSY-CURVED STRONGBACK (315T4214-1 T/W ITS ATTACHING PARTS I/W 315T3214-7 OR -1 T/W ITS ATTACHING PARTS IN POSITION NO. 27 ONLY) (OPT ITEM 150D) (POST SB 767-78-0020)	C,L,M ,P,AB	1
151	315T3214-8		.CASCADE ASSY-CURVED STRONGBACK (315T4214-2 WITH ITS ATTACHING PARTS I/W 315T3214-8 T/W ITS ATTACHING PARTS IN POSITION NO. 18 ONLY) (315T4214-4 T/W ITS ATTACHING PARTS I/W 315T3214-8 T/W ITS ATTACHING PARTS IN POSITION NO. 24 ONLY) (PRE SB 767-78-0020)	B	1
-151A	315T4214-2		.CASCADE ASSY-CURVED STRONGBACK (315T4214-2 WITH ITS ATTACHING PARTS I/W 315T3214-8 OR -2 T/W ITS ATTACHING PARTS IN POSITION NO. 18 ONLY) (OPT ITEM 151B) (POST SB 767-78-0020)	B	1
-151B	315T4214-4		.CASCADE ASSY-CURVED STRONGBACK (315T4214-4 WITH ITS ATTACHING PARTS I/W 315T3214-8 OR -2 T/W ITS ATTACHING PARTS IN POSITION NO. 24 ONLY) (OPT ITEM 151A) (POST SB 767-78-0020)	B	1

71-11-32

ILLUSTRATED PARTS LIST

01.1 Page 1068J

Jul 01/03


BOEING
 COMPONENT
 MAINTENANCE MANUAL

FIG. & ITEM	PART NO.	AIRLINE PART NUMBER	NOMENCLATURE 1234567	EFF CODE	QTY PER ASSY
01-152	BACR15CE3B		..RIVET- (SIZE DETERMINE ON INST) (USED ON ITEMS 148, 148B, 148C, 149, 150, 150B, 150C, 151)	B,C,L ,M,P, AB	8
152J	315T4210-9		..SPACER-RADIUS FILLER (USED ON ITEMS 148D, 148E, 149A, 149B, 150D, 150E, 151A, 151B)	B,C,L ,M,P, AB	2
152T	315T4210-10		..SPACER-RADIUS FILLER (USED ON ITEMS 148D, 148E, 149A, 149B, 150D, 150E, 151A, 151B)	B,C,L ,M,P, AB	2
153	BRF200C4D		..NUTPLATE- (V52828) (SPEC BACN10JR4CFD) (OPT K51602-4BAC (V15653)) (OPT NS202476-048 (V80539)) (OPT 102F9201-4 (V72962)) (OPT T8092C428CD (V11815)) (USED ON ITEMS 148D, 148E, 149A, 149B, 150D, 150E, 151A, 151B)	B,C,L ,M,P, AB	2
154	M13640-048		..NUTPLATE- (V80539) (USED ON ITEMS 148, 148B, 148C, 149, 150, 150B, 150C, 151)	B,C,L ,M,P, AB	4

71-11-32

ILLUSTRATED PARTS LIST

01.1 Page 1068K

Jul 01/03

FIG. & ITEM	PART NO.	AIRLINE PART NUMBER	NOMENCLATURE 1234567	EFF CODE	QTY PER ASSY
01-155	BRF100C4D		..NUTPLATE- (V52828) (SPEC BACN10KB4CFD) (OPT F51604-4 (V15653)) (OPT 102F9207P4 (V72962)) (OPT F51604-4 (V15653)) (USED ON ITEMS 148D, 148E, 149A, 149B, 150D, 150E, 151A, 151B)	B,C,L ,M,P, AB	2
156	BACR15BB3B		..RIVET- (SIZE DETERMINE ON INST)	B,C,L ,M,P, AB	2
158	69B97503-1		..TAG-IDENT	B,C,L ,M,P, AB	1
160	315T3214-10		..CASCADE- (USED ON ITEMS 148, 148B, 151)	B,C,L ,M,P, AB	1
-160A	315T3214-6		..CASCADE- (USED ON ITEM 148C)	AB	1
-160B	315T4214-6		..CASCADE- (USED ON ITEMS 148D, 151A)	B,C,L ,M,P, AB	1
-160C	315T4214-8		..CASCADE- (USED ON ITEMS 148E, 151B)	B,C,L ,M,P, AB	1

71-11-32

 ILLUSTRATED PARTS LIST
 01.1 Page 1068L
 Jul 01/03


BOEING
 COMPONENT
 MAINTENANCE MANUAL

FIG. & ITEM	PART NO.	AIRLINE PART NUMBER	NOMENCLATURE 1234567	EFF CODE	QTY PER ASSY
01-162	315T3214-9		..CASCADE- (USED ON ITEMS 149, 150, 150B)	B,C,L ,M,P, AB	1
-162A	315T3214-5		..CASCADE- (USED ON ITEM 150C)	AB	1
-162B	315T4214-5		..CASCADE- (USED ON ITEMS 149A, 150D)	B,C,L ,M,P, AB	1
-162C	315T4214-7		..CASCADE- (USED ON ITEMS 149B, 150E)	B,C,L ,M,P, AB	1
162P	BACR15BA3B		.RIVET- (SIZE DETERMINE ON INST)	A-D, J-P, Y-AB	108
163	NS202495-048		.NUTPLATE- (V80539) (SPEC BACN10KE4DCD) (OPT F51753-4CD (V15653)) (OPT ITEM 163A)	A-D, J-P, Y-AB	54
-163A	NS103193SE048		.NUTPLATE- (V80539) (SPEC BACN10KE4DCM) (OPT F51753-4DL (V15653)) (OPT ITEM 163)	A-D, J-P, Y-AB	54
164	315T3305-107		.FAIRING INSTL-SKIN UPR TRACK	A,C, J-P,Y ,AA,A B	1
-166	315T3305-108		.FAIRING INSTL-SKIN UPR TRACK	B,D,Z	1

71-11-32

ILLUSTRATED PARTS LIST

01.1 Page 1068M

Jul 01/03

FIG. & ITEM	PART NO.	AIRLINE PART NUMBER	NOMENCLATURE 1234567	EFF CODE	QTY PER ASSY
01-168	315T3305-5001		..FAIRING INSTL- (REPLD BY ITEMS 168A, 168B, 168C, 168D)	A,C, J-P,Y ,AA,A B	1
-168A	315T3305-5003		..FAIRING INSTL- (REPLS ITEM 168) (REPLD BY ITEMS 168B, 168C, 168D)	A,C, J-P,Y ,AA,A B	1
-168B	315T3305-5005		..FAIRING INSTL- (REPLS ITEMS 168, 168A) (REPLD BY ITEMS 168C, 168D)	A,C, J-P,Y ,AA,A B	1
-168C	315T3305-5007		..FAIRING INSTL- (REPLS ITEMS 168, 168A, 168B) (REPLD BY ITEM 168D)	A,C, J-P,Y ,AA,A B	1
-168D	315T3305-5009		..FAIRING INSTL- (REPLS ITEMS 168, 168A, 168B, 168C)	A,C, J-P,Y ,AA,A B	1
-170	315T3305-5002		..FAIRING INSTL- (REPLD BY ITEMS 170A, 170B, 170C, 170D)	B,D,Z	1
-170A	315T3305-5004		..FAIRING INSTL- (REPLS ITEM 170) (REPLD BY ITEMS 170B, 170C, 170D)	B,D,Z	1
-170B	315T3305-5006		..FAIRING INSTL- (REPLS ITEMS 170, 170A) (REPLD BY ITEMS 170C, 170D)	B,D,Z	1
-170C	315T3305-5008		..FAIRING INSTL- (REPLS ITEMS 170, 170A, 170B) (REPLD BY ITEM 170D)	B,D,Z	1
-170D	315T3305-5010		..FAIRING INSTL- (REPLS ITEMS 170, 170A, 170B, 170C)	B,D,Z	1
172	BACB30LL3-5		DELETED		
172A	BACB30VF3K5		...BOLT	A-D, J-P, Y-AB	25

71-11-32

 ILLUSTRATED PARTS LIST
 01.1 Page 1068N
 Jul 01/03


BOEING
 COMPONENT
 MAINTENANCE MANUAL

FIG. & ITEM	PART NO.	AIRLINE PART NUMBER	NOMENCLATURE 1234567	EFF CODE	QTY PER ASSY
01-173	BACR15FT5KE		...RIVET- (SIZE DETERMINE ON INST) (OPT ITEM 173L)	A-D, J-P, Y-AB	2
173L	BACB30MY5K		...BOLT- (SIZE DETERMINE ON INST) (OPT ITEM 173)	A-D, J-P, Y-AB	2
173S	KFN600-5		...NUT- (V56878) (SPEC BACN10XJ5) (OPT KFN600-5S (V15653)) (OPT BH00309-5 (V27238)) (OPT BH00309-5S (V27238)) (OPT KFN600-5 (V15653))	A-D, J-P, Y-AB	2
174	315T3305-125		...SUPPORT ASSY- (USED ON ITEM 168)	A,C, J-P,Y ,AA,A B	1
-176	315T3305-126		...SUPPORT ASSY- (USED ON ITEM 170)	B,D,Z	1
178	BACR15BA3AD		...RIVET- (SIZE DETERMINE ON INST)	A-D, J-P, Y-AB	2
180	NS103194SE02-2		...NUTPLATE- (V80539) (SPEC BACN10KE3E2CM) (OPT F51751-3-2DL (V15653)) (OPT 104F9216-2-3 (V72962)) (OPT BRFR120C3-2M (V52828))	A-D, J-P, Y-AB	1
182	315T3305-115		...SUPPORT ASSY- (USED ON ITEMS 168A, 168B)	A,C, J-P,Y ,AA,A B	1
-184	315T3305-116		...SUPPORT ASSY- (USED ON ITEMS 170A, 170B)	B,D,Z	1
186	BACR15BA3AD		...RIVET- (SIZE DETERMINE ON INST)	A-D, J-P, Y-AB	2

71-11-32

ILLUSTRATED PARTS LIST

01.1 Page 10680

Jul 01/03

FIG. & ITEM	PART NO.	AIRLINE PART NUMBER	NOMENCLATURE 1234567	EFF CODE	QTY PER ASSY
01-188	NS103194SE02-2	NUTPLATE- (V80539) (SPEC BACN10KE3E2CM) (OPT F51751-3-2DL (V15653)) (OPT 104F9216-2-3 (V72962)) (OPT BRFR120C3-2M (V52828))	A-D, J-P, Y-AB	1
189	BACR15FT6KE		...RIVET- (SIZE DETERMINE ON INST) (OPT ITEM 189L)	A-D, J-P, Y-AB	10
189L	BACB30MY6K		...BOLT- (SIZE DETERMINE ON INST) (OPT ITEM 189)	A-D, J-P, Y-AB	10
189S	KFN600-6S		...NUT- (V15653) (SPEC BACN10XJ6) (OPT BH00309-6 (V27238)) (OPT BH00309-6S (V27238)) (OPT KFN600-6 (V15653)) (OPT KFN600-6 (V56878))	A-D, J-P, Y-AB	10
190	315T3305-79		...SUPPORT ASSY	A,C, J-P,Y ,AA,A B	1
-192	315T3305-80		...SUPPORT ASSY	B,D,Z	1
194	BACR15BA3AD	RIVET- (SIZE DETERMINE ON INST)	A-D, J-P, Y-AB	2
196	NS103191SE02-2	NUTPLATE- (V80539) (SPEC BACN10KE3B2CM) (OPT F51747-3-2DL (V15653)) (OPT 104F9213-2-3 (V72962)) (OPT 104F9213-2-3 (V72962))	A-D, J-P, Y-AB	1

71-11-32

ILLUSTRATED PARTS LIST

01.1 Page 1068P

Jul 01/03


BOEING
 COMPONENT
 MAINTENANCE MANUAL

FIG. & ITEM	PART NO.	AIRLINE PART NUMBER	NOMENCLATURE 1234567	EFF CODE	QTY PER ASSY
01-198	315T3305-75		...SUPPORT ASSY	A,C, J-P,Y ,AA,A B	1
-200	315T3305-76		...SUPPORT ASSY	B,D,Z	1
202	BACR15BA3AD	RIVET- (SIZE DETERMINE ON INST)	A-D, J-P, Y-AB	4
204	NS103191SE02-2	NUTPLATE- (V80539) (SPEC BACN10KE3B2CM) (OPT F51747-3-2DL (V15653)) (OPT 104F9213-2-3 (V72962)) (OPT 104F9213-2-3 (V72962))	A-D, J-P, Y-AB	1
206	NS103194SE02-2	NUTPLATE- (V80539) (SPEC BACN10KE3E2CM) (OPT F51751-3-2DL (V15653)) (OPT 104F9216-2-3 (V72962)) (OPT BRFR120C3-2M (V52828))	A-D, J-P, Y-AB	1
208	315T3305-71		...SUPPORT ASSY	A,C, J-P,Y ,AA,A B	1
-210	315T3305-72		...SUPPORT ASSY	B,D,Z	1

71-11-32

 ILLUSTRATED PARTS LIST
 01.1 Page 1068Q
 Jul 01/03

FIG. & ITEM	PART NO.	AIRLINE PART NUMBER	NOMENCLATURE 1234567	EFF CODE	QTY PER ASSY
01-212	BACR15BA3AD	RIVET- (SIZE DETERMINE ON INST)	A-D, J-P, Y-AB	4
214	NS103191SE02-2	NUTPLATE- (V80539) (SPEC BACN10KE3B2CM) (OPT F51747-3-2DL (V15653)) (OPT 104F9213-2-3 (V72962)) (OPT 104F9213-2-3 (V72962))	A-D, J-P, Y-AB	1
216	NS103194SE02-2	NUTPLATE- (V80539) (SPEC BACN10KE3E2CM) (OPT F51751-3-2DL (V15653)) (OPT 104F9216-2-3 (V72962)) (OPT BRFR120C3-2M (V52828))	A-D, J-P, Y-AB	1
218	315T3305-67		...SUPPORT ASSY	A,C, J-P,Y ,AA,A B	1
-220	315T3305-64		...SUPPORT ASSY	B,D,Z	1
222	BACR15BA3AD	RIVET- (SIZE DETERMINE ON INST)	A-D, J-P, Y-AB	4
224	NS103191SE02-2	NUTPLATE- (V80539) (SPEC BACN10KE3B2CM) (OPT F51747-3-2DL (V15653)) (OPT 104F9213-2-3 (V72962)) (OPT 104F9213-2-3 (V72962))	A-D, J-P, Y-AB	1

71-11-32

 ILLUSTRATED PARTS LIST
 01.1 Page 1068R
 Jul 01/03


BOEING
 COMPONENT
 MAINTENANCE MANUAL

FIG. & ITEM	PART NO.	AIRLINE PART NUMBER	NOMENCLATURE 1234567	EFF CODE	QTY PER ASSY
01-226	NS103194SE02-2	NUTPLATE- (V80539) (SPEC BACN10KE3E2CM) (OPT F51751-3-2DL (V15653)) (OPT 104F9216-2-3 (V72962)) (OPT BRFR120C3-2M (V52828))	A-D, J-P, Y-AB	1
228	315T3305-63		...SUPPORT ASSY	A,C, J-P,Y ,AA,A B	1
-230	315T3305-64		...SUPPORT ASSY	B,D,Z	1
232	BACR15BA3AD	RIVET- (SIZE DETERMINE ON INST)	A-D, J-P, Y-AB	4
234	NS103191SE02-2	NUTPLATE- (V80539) (SPEC BACN10KE3B2CM) (OPT F51747-3-2DL (V15653)) (OPT 104F9213-2-3 (V72962)) (OPT 104F9213-2-3 (V72962))	A-D, J-P, Y-AB	1
236	NS103194SE02-2	NUTPLATE- (V80539) (SPEC BACN10KE3E2CM) (OPT F51751-3-2DL (V15653)) (OPT 104F9216-2-3 (V72962)) (OPT BRFR120C3-2M (V52828))	A-D, J-P, Y-AB	1

71-11-32

ILLUSTRATED PARTS LIST

01.1 Page 1068S

Jul 01/03

FIG. & ITEM	PART NO.	AIRLINE PART NUMBER	NOMENCLATURE 1234567	EFF CODE	QTY PER ASSY
01-238	315T3305-59		...SUPPORT ASSY	A,C, J-P,Y ,AA,A B	1
-240	315T3305-60		...SUPPORT ASSY	B,D,Z	1
242	BACR15BA3AD	RIVET- (SIZE DETERMINE ON INST)	A-D, J-P, Y-AB	4
244	NS103191SE02-2	NUTPLATE- (V80539) (SPEC BACN10KE3B2CM) (OPT F51747-3-2DL (V15653)) (OPT 104F9213-2-3 (V72962)) (OPT 104F9213-2-3 (V72962))	A-D, J-P, Y-AB	1
246	NS103194SE02-2	NUTPLATE- (V80539) (SPEC BACN10KE3E2CM) (OPT F51751-3-2DL (V15653)) (OPT 104F9216-2-3 (V72962)) (OPT BRFR120C3-2M (V52828))	A-D, J-P, Y-AB	1
248	315T3307-23		.FAIRING INSTL-UPR BIFURCATION TRACK	A,C, J-P,Y ,AA,A B	1
-250	315T3307-24		.FAIRING INSTL-UPR BIFURCATION TRACK	B,D,Z	1

71-11-32

 ILLUSTRATED PARTS LIST
 01.1 Page 1068T
 Jul 01/03


BOEING
 COMPONENT
 MAINTENANCE MANUAL

FIG. & ITEM	PART NO.	AIRLINE PART NUMBER	NOMENCLATURE 1234567	EFF CODE	QTY PER ASSY
01-252	315T3307-5001		..FAIRING INSTL-(REWORK) (REPLD BY ITEMS 252A, 252B)	A,C, J-P,Y ,AA,A B	1
-252A	315T3307-5003		..FAIRING INSTL- (REPLS ITEM 252) (REPLD BY ITEM 252B)	A,C, J-P,Y ,AA,A B	1
-252B	315T3307-5005		..FAIRING INSTL- (REPLS ITEMS 252, 252A)	A,C, J-P,Y ,AA,A B	1
-254	315T3307-5002		..FAIRING INSTL-(REWORK) (REPLD BY ITEMS 254A, 254B)	B,D,Z	1
-254A	315T3307-5004		..FAIRING INSTL- (REPLS ITEM 254) (REPLD BY ITEM 254B)	B,D,Z	1
-254B	315T3307-5006		..FAIRING INSTL- (REPLS ITEMS 254, 254A)	B,D,Z	1
256	BACR15BA3AD		...RIVET- (SIZE DETERMINE ON INST) (USED ON ITEMS 252, 254)	A-D, J-P, Y-AB	2
258	BRF100C3D		...NUTPLATE- (V52828) (SPEC BACN10KB3CFD) (OPT F51604-3 (V15653)) (OPT 102F9207P3 (V72962)) (OPT F51604-3 (V15653)) (USED ON ITEMS 252, 254)	A-D, J-P, Y-AB	1
260	BACS40R07D011F		...SHIM	A-D, J-P, Y-AB	1
262	315T3307-25		...FAIRING ASSY- (USED ON ITEM 252)	A,C, J-P,Y ,AA,A B	1

71-11-32

ILLUSTRATED PARTS LIST

01.1 Page 1068U

Jul 01/03

FIG. & ITEM	PART NO.	AIRLINE PART NUMBER	NOMENCLATURE 1234567	EFF CODE	QTY PER ASSY
01- -262A	315T3307-43		...FAIRING ASSY- (USED ON ITEM 252A)	A,C, J-P,Y ,AA,A B	1
-262B	315T3307-49		...FAIRING ASSY- (USED ON ITEM 252B)	A,C, J-P,Y ,AA,A B	1
-264	315T3307-26		...FAIRING ASSY- (USED ON ITEM 254)	B,D,Z	1
-264A	315T3307-44		...FAIRING ASSY- (USED ON ITEM 254A)	B,D,Z	1
-264B	315T3307-50		...FAIRING ASSY- (USED ON ITEM 254B)	B,D,Z	1
266	BACB30LR2-3	BOLT	A-D, J-P, Y-AB	1
268	BACB30LR2-2	BOLT- (OPT ITEM 268A)	A-D, J-P, Y-AB	10
-268A	BACB30LH2-2	BOLT- (OPT ITEM 268)	A-D, J-P, Y-AB	10
270	BACR15CE5KE	RIVET- (SIZE DETERMINE ON INST)	A-D, J-P, Y-AB	7
272	315T3307-38	STRIP-RUB	A-D, J-P, Y-AB	1
274	BACR15BA3AD	RIVET- (SIZE DETERMINE ON INST)	A-D, J-P, Y-AB	48

71-11-32

 ILLUSTRATED PARTS LIST
 01.1 Page 1068V
 Jul 01/03

BOEING
 COMPONENT
 MAINTENANCE MANUAL

FIG. & ITEM	PART NO.	AIRLINE PART NUMBER	NOMENCLATURE 1234567	EFF CODE	QTY PER ASSY
01-276	BACR15BA3AD	RIVET- (SIZE DETERMINE ON INST) (USED ON ITEMS 262A, 264A)	A-D, J-P, Y-AB	2
278	BR2000C3M	NUTPLATE- (V52828) (SPEC BACN10JR3CM) (OPT K1001-3BAC (V15653)) (OPT NS103202SE02 (V80539)) (OPT T8089C1032 (V11815)) (OPT VN102D1-02 (V92215)) (OPT 109A9201-3 (V72962))	A-D, J-P, Y-AB	1
280	NS103191SE02-3	NUTPLATE- (V80539) (SPEC BACN10KE3B3CM) (OPT F51747-3-3DL (V15653)) (OPT BRFR220C3-3M (V52828)) (OPT 104F9213-3-3 (V72962))	A-D, J-P, Y-AB	12
282	109F9201M82	NUTPLATE- (V72962) (SPEC BACN10JN08CM) (OPT BRFM20C08M (V52828)) (OPT MF1001-08BAC (V15653)) (OPT NS103218SE82 (V80539)) (OPT VN252D82 (V92215)) (OPT 109F9201M82 (V72962)) (OPT T8125C08C (V11815))	A-D, J-P, Y-AB	11

71-11-32

ILLUSTRATED PARTS LIST
 01.1 Page 1068W
 Jul 01/03

FIG. & ITEM	PART NO.	AIRLINE PART NUMBER	NOMENCLATURE 1234567	EFF CODE	QTY PER ASSY
01-284	BRF100C3D	NUTPLATE- (V52828) (SPEC BACN10KB3CFD) (OPT F51604-3 (V15653)) (OPT 102F9207P3 (V72962)) (OPT F51604-3 (V15653)) (USED ON ITEMS 262A, 264A)	A-D, J-P, Y-AB	1
R 286	HL11VAZ8-12		.BOLT- (V60516) (SPEC BACB30NW8K12) (OPT B30NW8K12 (V97928)) (OPT HL11VAZ8-12 (V73197)) (OPT HL11VAZ8-12 (V92215)) (OPT HL11VAZ8-12 (V97928)) (OPT L803-8K12 (V06725)) (OPT HL11VAZ8-12 (V0PTK6)) (OPT HL11VAZ8-12 (V56878))	A-D, J-P, Y-AB	6
288	HL79-8		.COLLAR- (V5M902) (SPEC BACC30M8) (OPT HL79-8 (V73197)) (OPT HL79-8 (V92215)) (OPT 66014-8 (V56878)) (OPT HL79-8 (V56878))	A-D, J-P, Y-AB	6

71-11-32

 ILLUSTRATED PARTS LIST
 01.1 Page 1068X
 Jul 01/03


BOEING
 COMPONENT
 MAINTENANCE MANUAL

FIG. & ITEM	PART NO.	AIRLINE PART NUMBER	NOMENCLATURE 1234567	EFF CODE	QTY PER ASSY
01-290	315T3300-1		.BIFURCATION INSTL-UPR (FOR DETAILS SEE FIG. 2)	A,C, J-P,Y ,AA,A B	1
-292	315T3300-2		.BIFURCATION INSTL-UPR (FOR DETAILS SEE FIG. 2)	B,D,Z	1
294	BACS40R11B61F		.SHIM	A-D, J-P, Y-AB	AR
296	NAS623-3-21		.SCREW	A,C, J-P,Y ,AA,A B	1
-298 300	NAS623-3-20 BRH10C3M		.SCREW .NUT- (V52828) (SPEC BACN10JC3CM) (OPT T6C1032JM (V11815)) (OPT 97E02 (V80539)) (OPT 109LH9075-3W (V72962)) (OPT VN303D02 (V92215)) (OPT NS202101SE02 (V80539)) (OPT H01-3BAC (V15653))	B,D,Z A-D, J-P, Y-AB	1 1
302	NAS623-3-20		.SCREW	A-D, J-P, Y-AB	1
304	AN960PD10		.WASHER	A-D, J-P, Y-AB	2

71-11-32

ILLUSTRATED PARTS LIST

01.1 Page 1068Y

Jul 01/03

FIG. & ITEM	PART NO.	AIRLINE PART NUMBER	NOMENCLATURE 1234567	EFF CODE	QTY PER ASSY
01-305	BRH10C3M		.NUT- (V52828) (SPEC BACN10JC3CM) (OPT T6C1032JM (V11815)) (OPT 97E02 (V80539)) (OPT 109LH9075-3W (V72962)) (OPT VN303D02 (V92215)) (OPT NS202101SE02 (V80539)) (OPT H01-3BAC (V15653))	A-D, J-P, Y-AB	1
306	HL13VAZ6-19		.BOLT- (V56878) (SPEC BACB30NY6K19) (OPT HL13VAZ6-19 (V73197)) (OPT HL13VAZ6-19 (V92215)) (OPT HL13VAZ6-19 (V97928)) (OPT L801-6K19 (V06725)) (OPT HL13VAZ6-19 (V08524)) (OPT HL13V19 (V06725)) (OPT HL13VAZ6-19 (V17446))	A,C, J-P,Y ,AA,A B	1

71-11-32

ILLUSTRATED PARTS LIST

01.1 Page 1068Z

Jul 01/03

 **BOEING**
 COMPONENT
 MAINTENANCE MANUAL

FIG. & ITEM	PART NO.	AIRLINE PART NUMBER	NOMENCLATURE 1234567	EFF CODE	QTY PER ASSY
01-308	HL13VAZ6-18		.BOLT- (V56878) (SPEC BACB30NY6K18) (OPT HL13VAZ6-18 (V73197)) (OPT HL13VAZ6-18 (V92215)) (OPT HL13VAZ6-18 (V97928)) (OPT L801-6K18 (V06725)) (OPT HL13VAZ6-18 (V08524)) (OPT HL13V18 (V06725)) (OPT HL13VAZ6-18 (V17446))	B,D,Z	1
310	HL13VAZ6-18		.BOLT- (V56878) (SPEC BACB30NY6K18) (OPT HL13VAZ6-18 (V73197)) (OPT HL13VAZ6-18 (V92215)) (OPT HL13VAZ6-18 (V97928)) (OPT L801-6K18 (V06725)) (OPT HL13VAZ6-18 (V08524)) (OPT HL13V18 (V06725)) (OPT HL13VAZ6-18 (V17446))	A-D, J-P, Y-AB	2

71-11-32

ILLUSTRATED PARTS LIST
 01.1 Page 1069
 Jul 01/03

FIG. & ITEM	PART NO.	AIRLINE PART NUMBER	NOMENCLATURE 1234567	EFF CODE	QTY PER ASSY
01- 312 312A	BACB30M6 HL79-6		DELETED .COLLAR- (V5M902) (SPEC BACC30M6) (OPT HL79-6 (V73197)) (OPT HL79-6 (V92215)) (OPT 66014-6 (V56878)) (OPT HL79-6 (V56878))	A-D, J-P, Y-AB	3
314	HL10VAZ6-19		.BOLT- (V60516) (SPEC BACB30MY6K19) (OPT B30MY6K19 (V97928))	A-D, J-P, Y-AB	14
316	HL10VAZ6-18		.BOLT- (V60516) (SPEC BACB30MY6K18) (OPT B30MY6K18 (V97928))	A-D, J-P, Y-AB	9
318	HL10VAZ6-17		.BOLT- (V60516) (SPEC BACB30MY6K17) (OPT B30MY6K17 (V97928))	A-D, J-P, Y-AB	6
320	HL10VAZ6-16		.BOLT- (V60516) (SPEC BACB30MY6K16) (OPT B30MY6K16 (V97928))	A-D, J-P, Y-AB	5

71-11-32

 ILLUSTRATED PARTS LIST
 01.1 Page 1070
 Jul 01/03


BOEING
 COMPONENT
 MAINTENANCE MANUAL

FIG. & ITEM	PART NO.	AIRLINE PART NUMBER	NOMENCLATURE 1234567	EFF CODE	QTY PER ASSY
01-322	L8006-15		.BOLT- (V06725) (SPEC BACB30MY6K15) (OPT HL10VAZ6-15 (VOPTK6))	A-D, J-P, Y-AB	4
324	HL10VAZ6-14		.BOLT- (V60516) (SPEC BACB30MY6K14) (OPT B30MY6K14 (V97928))	A-D, J-P, Y-AB	2
R 326	HL11VAZ6-13		.BOLT- (V60516) (SPEC BACB30NW6K13) (OPT B30NW6K13 (V97928)) (OPT HL11VAZ6-13 (V73197)) (OPT HL11VAZ6-13 (V92215)) (OPT HL11VAZ6-13 (V97928)) (OPT L803-6K13 (V06725)) (OPT HL11VAZ6-13 (VOPTK6)) (OPT HL11VAZ6-13 (V56878))	A-D, J-P, Y-AB	2
R 328	HL11VAZ6-12		.BOLT- (V60516) (SPEC BACB30NW6K12) (OPT B30NW6K12 (V97928)) (OPT HL11VAZ6-12 (V73197)) (OPT HL11VAZ6-12 (V92215)) (OPT HL11VAZ6-12 (V97928)) (OPT L803-6K12 (V06725)) (OPT HL11VAZ6-12 (VOPTK6)) (OPT HL11VAZ6-12 (V56878))	A-D, J-P, Y-AB	2

71-11-32

ILLUSTRATED PARTS LIST

01.1 Page 1070A

Jul 01/03

FIG. & ITEM	PART NO.	AIRLINE PART NUMBER	NOMENCLATURE 1234567	EFF CODE	QTY PER ASSY
01-330	HL79-6		.COLLAR- (V5M902) (SPEC BACC30M6) (OPT HL79-6 (V73197)) (OPT HL79-6 (V92215)) (OPT 66014-6 (V56878)) (OPT HL79-6 (V56878))	A-D, J-P, Y-AB	16
332	HL82-6APBW		.COLLAR- (V5M902) (SPEC BACC30AG6) (OPT HL82-6APBW (V92215)) (OPT HL82-6APBW (V56878)) (OPT HL82-6APBW (V73197))	A-D, J-P, Y-AB	28

71-11-32

ILLUSTRATED PARTS LIST

01.1 Page 1070B

Jul 01/03

BOEING
 COMPONENT
 MAINTENANCE MANUAL

FIG. & ITEM	PART NO.	AIRLINE PART NUMBER	NOMENCLATURE	EFF CODE	QTY PER ASSY
01-334	HL1012AZ6-19		1234567 .BOLT- (V97928) (SPEC BACB30NX6K19) (OPT HL12VAZ6-19 (V73197)) (OPT HL12VAZ6-19 (V92215)) (OPT HL12VAZ6-19 (V97928)) (OPT L802-6K19 (V06725)) (OPT HL12VAZ6-19 (V56878)) (OPT HL1012AZ6-19 (V0PTK6)) (OPT HL1012AZ6-19 (V06725)) (OPT HL1012AZ6-19 (V06950)) (OPT HL1012AZ6-19 (V17446)) (OPT HL1012AZ6-19 (V56878)) (OPT HL1012AZ6-19 (V60516)) (OPT HL1012AZ6-19 (V73197))	A-D, J-P, Y-AB	7

71-11-32

ILLUSTRATED PARTS LIST
 01.1 Page 1070C
 Jul 01/03

FIG. & ITEM	PART NO.	AIRLINE PART NUMBER	NOMENCLATURE 1234567	EFF CODE	QTY PER ASSY
01-336	HL1012AZ6-13		.BOLT- (V97928) (SPEC BACB30NX6K13) (OPT HL12VAZ6-13 (V73197)) (OPT HL12VAZ6-13 (V92215)) (OPT HL12VAZ6-13 (V97928)) (OPT L802-6K13 (V06725)) (OPT HL1012AZ6-13 (V0PTK6)) (OPT HL1012AZ6-13 (V06725)) (OPT HL1012AZ6-13 (V06950)) (OPT HL1012AZ6-13 (V17446)) (OPT HL1012AZ6-13 (V56878)) (OPT HL1012AZ6-13 (V60516)) (OPT HL1012AZ6-13 (V73197)) (OPT HL12VAZ6-13 (V56878))	A-D, J-P, Y-AB	2
338	HL1187DUW6		.COLLAR- (V5M902) (SPEC BACC30X6SW) (OPT HL87DUW6 (V73197)) (OPT HL87DUW6 (V92215)) (OPT HL1187DUW6 (V56878)) (OPT HL1187DUW6 (V92215)) (OPT HL87DUW6 (V56878)) (OPT HL1187DUW6 (V73197))	A-D, J-P, Y-AB	9

71-11-32

 ILLUSTRATED PARTS LIST
 01.1 Page 1070D
 Jul 01/03


BOEING
 COMPONENT
 MAINTENANCE MANUAL

FIG. & ITEM	PART NO.	AIRLINE PART NUMBER	NOMENCLATURE 1234567	EFF CODE	QTY PER ASSY
01-340	HL1012AZ8-19		.BOLT- (V97928) (SPEC BACB30NX8K19) (OPT HL12VAZ8-19 (V73197)) (OPT HL12VAZ8-19 (V92215)) (OPT HL12VAZ8-19 (V97928)) (OPT L802-8K19 (V06725)) (OPT HL12VAZ8-19 (V56878)) (OPT HL1012AZ8-19 (V73197)) (OPT HL1012AZ8-19 (V60516)) (OPT HL1012AZ8-19 (V56878)) (OPT HL1012AZ8-19 (V17446)) (OPT HL1012AZ8-19 (V06950)) (OPT HL1012AZ8-19 (V06725)) (OPT HL1012AZ8-19 (V0PTK6))	A-D, J-P, Y-AB	4
342	HL1187DUW8		.COLLAR- (V5M902) (SPEC BACC30X8SW) (OPT HL87DUW8 (V73197)) (OPT HL87DUW8 (V92215)) (OPT HL1187DUW8 (V56878)) (OPT HL1187DUW8 (V92215)) (OPT HL87DUW8 (V56878)) (OPT HL1187DUW8 (V73197))	A-D, J-P, Y-AB	4

71-11-32

 ILLUSTRATED PARTS LIST
 01.1 Page 1070E
 Jul 01/03

FIG. & ITEM	PART NO.	AIRLINE PART NUMBER	NOMENCLATURE 1234567	EFF CODE	QTY PER ASSY
01-344	HL10VAZ5-22		.BOLT- (V60516) (SPEC BACB30MY5K22) (OPT B30MY5K22 (V97928))	A-D, J-P, Y-AB	2
346	HL10VAZ5-21		.BOLT- (V60516) (SPEC BACB30MY5K21) (OPT B30MY5K21 (V97928))	A-D, J-P, Y-AB	1
348	HL10VAZ5-18		.BOLT- (V60516) (SPEC BACB30MY5K18) (OPT B30MY5K18 (V97928))	A-D, J-P, Y-AB	21
350	HL10VAZ5-17		.BOLT- (V60516) (SPEC BACB30MY5K17) (OPT B30MY5K17 (V97928))	A-D, J-P, Y-AB	17
352	HL10VAZ5-16		.BOLT- (V60516) (SPEC BACB30MY5K16) (OPT B30MY5K16 (V97928))	A-D, J-P, Y-AB	1
354	HL10VAZ5-15		.BOLT- (V60516) (SPEC BACB30MY5K15) (OPT B30MY5K15 (V97928))	A-D, J-P, Y-AB	2

71-11-32

 ILLUSTRATED PARTS LIST
 01.1 Page 1070F
 Jul 01/03


BOEING
 COMPONENT
 MAINTENANCE MANUAL

FIG. & ITEM	PART NO.	AIRLINE PART NUMBER	NOMENCLATURE 1234567	EFF CODE	QTY PER ASSY
01-356	HL10VAZ5-14		.BOLT- (V60516) (SPEC BACB30MY5K14) (OPT B30MY5K14 (V97928))	A-D, J-P, Y-AB	2
358	HL10VAZ5-13		.BOLT- (V60516) (SPEC BACB30MY5K13) (OPT B30MY5K13 (V97928))	A-D, J-P, Y,AB	2
360	HL10VAZ5-12		.BOLT- (V60516) (SPEC BACB30MY5K12) (OPT B30MY5K12 (V97928))	A-D, J-P, Y-AB	2
362	HL10VAZ5-11		.BOLT- (V60516) (SPEC BACB30MY5K11) (OPT B30MY5K11 (V97928))	A-D, J-P, Y-AB	2
364	HL10VAZ5-10		.BOLT- (V60516) (SPEC BACB30MY5K10) (OPT B30MY5K10 (V97928))	A-D, J-P, Y-AB	1
366	HL10VAZ5-5		.BOLT- (V60516) (SPEC BACB30MY5K5) (OPT B30MY5K5 (V97928))	A-D, J-P, Y-AB	1

71-11-32

 ILLUSTRATED PARTS LIST
 01.1 Page 1070G
 Jul 01/03

FIG. & ITEM	PART NO.	AIRLINE PART NUMBER	NOMENCLATURE 1234567	EFF CODE	QTY PER ASSY
01-368	HL10VAZ5-3		.BOLT- (V60516) (SPEC BACB30MY5K3) (OPT B30MY5K3 (V97928))	A-D, J-P, Y-AB	5
370	HL10VAZ5-2		.BOLT- (V60516) (SPEC BACB30MY5K2) (OPT B30MY5K2 (V97928))	A-D, J-P, Y-AB	4
372	HL79-5		.COLLAR- (V5M902) (SPEC BACC30M5) (OPT HL70-5 (V73197)) (OPT HL70-5 (V92215)) (OPT 66014-5 (V56878)) (OPT HL70-5 (V56878))	A-D, J-P, Y-AB	49
374	HL82-5APBW		.COLLAR- (V73197) (SPEC BACC30AG5) (OPT HL82-5APBW (V56878))	A-D, J-P, Y-AB	14
376	NAS1398CW6-3		.RIVET	A-D, J-P, Y-AB	1
378	NAS1398CW5-3		.RIVET	A-D, J-P, Y-AB	1
380	BACR15CE6KE		.RIVET- (SIZE DETERMINE ON INST)	A-D, J-P, Y-AB	1
382	BACR15CE5KE		.RIVET- (SIZE DETERMINE ON INST)	A-D, J-P, Y-AB	1
384	315T3007-3		.FAIRING-FILLET	A,C, J-P	1
-384A	315T3007-1		.FAIRING-FILLET	Y,AA, AB	1
-386	315T3007-4		.FAIRING-FILLET	B,D	1

71-11-32

 ILLUSTRATED PARTS LIST
 01.1 Page 1070H
 Jul 01/03

 **BOEING**
 COMPONENT
 MAINTENANCE MANUAL

FIG. & ITEM	PART NO.	AIRLINE PART NUMBER	NOMENCLATURE 1234567	EFF CODE	QTY PER ASSY
01-					
-386A	315T3007-2		. FAIRING-FILLET	Z	1
-386B	315T3007-12		DELETED		
388	HL1012AZ6-14		. BOLT- (V97928) (SPEC BACB30NX6K14) (OPT HL12VAZ6-14 (V73197)) (OPT HL12VAZ6-14 (V92215)) (OPT HL12VAZ6-14 (V97928)) (OPT L802-6K14 (V06725)) (OPT HL1012AZ6-14 (V0PTK6)) (OPT HL1012AZ6-14 (V06725)) (OPT HL1012AZ6-14 (V06950)) (OPT HL1012AZ6-14 (V17446)) (OPT HL1012AZ6-14 (V56878)) (OPT HL1012AZ6-14 (V60516)) (OPT HL1012AZ6-14 (V73197)) (OPT HL12VAZ6-14 (V56878))	A-D, J-P, Y-AB	1

71-11-32

ILLUSTRATED PARTS LIST
 01.1 Page 1070I
 Jul 01/03

FIG. & ITEM	PART NO.	AIRLINE PART NUMBER	NOMENCLATURE 1234567	EFF CODE	QTY PER ASSY
01-390	HL1012AZ6-13		.BOLT- (V97928) (SPEC BACB30NX6K13) (OPT HL12VAZ6-13 (V73197)) (OPT HL12VAZ6-13 (V92215)) (OPT HL12VAZ6-13 (V97928)) (OPT L802-6K13 (V06725)) (OPT HL1012AZ6-13 (V0PTK6)) (OPT HL1012AZ6-13 (V06725)) (OPT HL1012AZ6-13 (V06950)) (OPT HL1012AZ6-13 (V17446)) (OPT HL1012AZ6-13 (V56878)) (OPT HL1012AZ6-13 (V60516)) (OPT HL1012AZ6-13 (V73197)) (OPT HL12VAZ6-13 (V56878))	A-D, J-P, Y-AB	2
392	HL82-6APBW		.COLLAR- (V5M902) (SPEC BACC30AG6) (OPT HL82-6APBW (V92215)) (OPT HL82-6APBW (V56878)) (OPT HL82-6APBW (V73197))	A-D, J-P, Y-AB	3
394	315T3318-101		.SEAL INSTL-UPR BIFURCATION (FOR DETAILS SEE FIG. 7)	A,C,N P,Y, AA,AB	1
394A	315T3318-133		.SEAL INSTL-UPR BIFURCATION	J-M	1
-396	315T3318-5007		..SEAL INSTL- (LIMITED) (FOR DETAILS SEE FIG. 7)	J-M	1

71-11-32

 ILLUSTRATED PARTS LIST
 01.1 Page 1070J
 Jul 01/03

BOEING
 COMPONENT
 MAINTENANCE MANUAL

FIG. & ITEM	PART NO.	AIRLINE PART NUMBER	NOMENCLATURE 1234567	EFF CODE	QTY PER ASSY
01- -396A	315T3318-5009		..SEAL INSTL- (LIMITED) (FOR DETAILS SEE FIG. 7)	J-M	1
-396B	315T3318-5011		..SEAL INSTL- (LIMITED) (FOR DETAILS SEE FIG. 7)	J-M	1
-396C	315T3318-5013		..SEAL INSTL- (LIMITED) (FOR DETAILS SEE FIG. 7)	J-M	1
-396D	315T3318-5015		..SEAL INSTL- (LIMITED) (FOR DETAILS SEE FIG. 7)	J-M	1
-398	315T3318-102		.SEAL INSTL-UPR BIFURCATION (FOR DETAILS SEE FIG. 7)	B,D,Z	1
-398A	315T3318-134		DELETED		
-400	315T3318-5008		DELETED		
402	315T3128-14		.SYSTEM INSTL-ZONE VENTILATION	A,C,J ,L	1
-402A	315T3128-16		.SYSTEM INSTL-ZONE VENTILATION (REWORK)	K,M-P ,Y,AA ,AB	1
-402B	315T3128-17		DELETED		
404	BACS12CK4U8		..SCREW	A,C, J-P,Y ,AA,A B	1
406	BRH10C4M		..NUT- (V52828) (SPEC BACN10JC4CM) (OPT T6C428JM (V11815)) (OPT 97E48 (V80539)) (OPT 109LH9075-4W (V72962)) (OPT VN303D048 (V92215)) (OPT 9NS202101SE048 (VA8053)) (OPT H01-4BAC (V15653))	A,C, J-P,Y ,AA,A B	1

71-11-32

ILLUSTRATED PARTS LIST
 01.1 Page 1070K
 Jul 01/03

FIG. & ITEM	PART NO.	AIRLINE PART NUMBER	NOMENCLATURE 1234567	EFF CODE	QTY PER ASSY
01-408 408A	BACN30NW6K19 BACB30NW6K		DELETED ..BOLT- (SIZE DETERMINE ON INST)	A,C, J-P,Y ,AA,A B	1
410	HL79-6		..COLLAR- (V5M902) (SPEC BACC30M6) (OPT HL79-6 (V73197)) (OPT HL79-6 (V92215)) (OPT 66014-6 (V56878)) (OPT HL79-6 (V56878))	A,C, J-P,Y ,AA,A B	1
412	BACJ40A21-8		..JUMPER ASSY	A,C, J-P,Y ,AA,A B	1
414	14J29300		..CLAMP- (V5T400) (SPEC BACC10GY300) (OPT 4385AF300 (V94581)) (OPT PDVC1137300 (V14242)) (OPT NM102701300 (V8W928))	A,C, J-P,Y ,AA,A B	2

71-11-32

ILLUSTRATED PARTS LIST

01.1 Page 1070L

Jul 01/03


BOEING
 COMPONENT
 MAINTENANCE MANUAL

FIG. & ITEM	PART NO.	AIRLINE PART NUMBER	NOMENCLATURE 1234567	EFF CODE	QTY PER ASSY
01-416	AN960C10L		..WASHER	A,C, J-P,Y ,AA,A B	4
418	NAS1716C48M		..CLAMP ASSY	A,C, J-P,Y ,AA,A B	1
420	NAS1716C40M		..CLAMP ASSY	A,C, J-P,Y ,AA,A B	1
422	BACS40R6W38		..SHIM	A,C, J-P,Y ,AA,A B	2
424	BACS40R6W33		..SHIM	A,C, J-P,Y ,AA,A B	2
426	BACS12CK3U8		..SCREW	A,C, J-P,Y ,AA,A B	5

71-11-32

ILLUSTRATED PARTS LIST

01.1 Page 1070M

Jul 01/03

FIG. & ITEM	PART NO.	AIRLINE PART NUMBER	NOMENCLATURE 1234567	EFF CODE	QTY PER ASSY
01-427	HL1012AZ6-4		..BOLT- (V97928) (SPEC BACB30NX6K4) (OPT HL12VAZ6-4 (V73197)) (OPT HL12VAZ6-4 (V92215)) (OPT HL12VAZ6-4 (V97928)) (OPT L802-6K4 (V06725)) (OPT HL12VAZ6-4 (V56878)) (OPT HL1012AZ6-4 (V0PTK6)) (OPT HL1012AZ6-4 (V06725)) (OPT HL1012AZ6-4 (V06950)) (OPT HL1012AZ6-4 (V17446)) (OPT HL1012AZ6-4 (V56878)) (OPT HL1012AZ6-4 (V60516)) (OPT HL1012AZ6-4 (V73197))	K,M,P Y,AA AB	2
428	BRH10C3M		..NUT- (V52828) (SPEC BACN10JC3CM) (OPT T6C1032JM (V11815)) (OPT 97E02 (V80539)) (OPT 109LH9075-3W (V72962)) (OPT VN303D02 (V92215)) (OPT NS202101SE02 (V80539)) (OPT H01-3BAC (V15653))	A,C, J-P,Y AA,A B	1

71-11-32

 ILLUSTRATED PARTS LIST
 01.1 Page 1070N
 Jul 01/03

BOEING
 COMPONENT
 MAINTENANCE MANUAL

FIG. & ITEM	PART NO.	AIRLINE PART NUMBER	NOMENCLATURE 1234567	EFF CODE	QTY PER ASSY
01-429	HL1187-6		..COLLAR- (V5M902) (SPEC BACC30X6) (OPT HL87-6 (V73197)) (OPT HL87-6 (V92215)) (OPT HL1187-6 (V56878)) (OPT HL1187-6 (V92215)) (OPT HL87-6 (V56878)) (OPT HL1187-6 (V73197))	K,M,P ,Y,AA ,AB	2
430	BACC10EP38		..CLAMP	A,C, J-P,Y ,AA,A B	AR
431	315T3130-16		..BRACKET	K,M,P ,Y,AA ,AB	1
432	BACS12CK3U8		..SCREW	A,C, J-P,Y ,AA,A B	5
434	NAS6703U4		..BOLT	A,C, J-P,Y ,AA,A B	2
436	BRH10C3M		..NUT- (V52828) (SPEC BACN10JC3CM) (OPT T6C1032JM (V11815)) (OPT 97E02 (V80539)) (OPT 109LH9075-3W (V72962)) (OPT VN303D02 (V92215)) (OPT NS202101SE02 (V80539)) (OPT H01-3BAC (V15653))	A,C, J-P,Y ,AA,A B	2

71-11-32

ILLUSTRATED PARTS LIST
 01.1 Page 10700
 Jul 01/03

FIG. & ITEM	PART NO.	AIRLINE PART NUMBER	NOMENCLATURE 1234567	EFF CODE	QTY PER ASSY
01-438	JP0030-4		DELETED		
440	JP0030-6		DELETED		
442	BACC10GT2-06		..CLAMPSHELL- (V83930) (SPEC BACC10GT2-06)	A,C, J-P,Y ,AA,A B	AR
444	315T3128-11		..TUBE ASSY- (MFD FROM TUBING CRES 21-6-9 BMS7-185 F-25.01 0.375IN OD 0.020IN WALL 31.5IN LG)	A,C, J-P,Y ,AA,A B	1
-446	DB0S13BX06H		...SLEEVE- (V14798) (SPEC BACS13BX06H) (OPT 2-02903-06H (V11328)) (OPT 35235V06 (V08199)) (OPT AP2097-06H (V01673)) (OPT AFP175V06 (V30974))	A,C, J-P,Y ,AA,A B	1
-448	MS21921-6J		...NUT	A,C, J-P,Y ,AA,A B	1
-450	DBOU24AB6H		...UNION- (V14798) (SPEC BACU24AB6H) (OPT 2-01027-6H (V11328)) (OPT 31875-6H (V14397)) (OPT 4671097H6 (V50948)) (OPT 35056V06 (V08199)) (OPT AP1004H06 (V01673)) (OPT AFP941H6 (V30974))	A,C, J-P,Y ,AA,A B	1

71-11-32

ILLUSTRATED PARTS LIST

01.1 Page 1070P

Jul 01/03


BOEING
 COMPONENT
 MAINTENANCE MANUAL

FIG. & ITEM	PART NO.	AIRLINE PART NUMBER	NOMENCLATURE 1234567	EFF CODE	QTY PER ASSY
01-452	315T3128-3		..TUBE ASSY- (MFD FROM TUBING CRES 21-6-9 BMS7-185 F-25.01 0.375IN OD 0.028IN WALL 55.0IN LG)	A,C, J-P,Y ,AA,A B	1
-454	DB0S13BX06H		...SLEEVE- (V14798) (SPEC BACS13BX06H) (OPT 2-02903-06H (V11328)) (OPT 35235V06 (V08199)) (OPT AP2097-06H (V01673)) (OPT AFP175V06 (V30974))	A,C, J-P,Y ,AA,A B	2
-456	MS21921-6J		...NUT	A,C, J-P,Y ,AA,A B	2
458	AN924-6J		..NUT	A,C, J-P,Y ,AA,A B	1
460	AN960C916		..WASHER	A,C, J-P,Y ,AA,A B	1

71-11-32

ILLUSTRATED PARTS LIST

01.1 Page 1070Q

Jul 01/03

FIG. & ITEM	PART NO.	AIRLINE PART NUMBER	NOMENCLATURE 1234567	EFF CODE	QTY PER ASSY
01-462	AFP238-0604J		..UNION- (V30974) (SPEC BACU24AA0604J) (OPT ER832-0604J (V50948)) (OPT LER832-0604J (V11328)) (OPT 2-010890604J (V11328)) (OPT APX832-0604J (V01673)) (OPT DBOU24AA0604J (V61498)) (OPT FER1579-0604J (V14397)) (OPT US2113-0604J (V50808)) (OPT APX832J0604 (V01673))	A,C, J-P,Y AA,A B	1
464	AS161E0150AAN		..HOSE- (V00624) (SPEC BACH5M0150AAN) (OPT B307BBB0150CN (V03925)) (OPT R8918M0150AAN (V06851)) (OPT 95850M0150AAN (V78570)) (OPT R89180150AAN (V06851)) (OPT R89180150AAN (V12157)) (OPT R89180150AAN (V50599)) (OPT AS118E0150AAN (V00624))	A,C, J-P,Y AA,A B	1

71-11-32

ILLUSTRATED PARTS LIST

01.1 Page 1070R

Jul 01/03


BOEING
 COMPONENT
 MAINTENANCE MANUAL

FIG. & ITEM	PART NO.	AIRLINE PART NUMBER	NOMENCLATURE 1234567	EFF CODE	QTY PER ASSY
01-466	315T3129-2		..GROMMET	A,C, J-P,Y ,AA,A B	1
468	315T3120-15		..DUCT ASSY	A,C,J ,L	1
468A	315T3120-16		..DUCT ASSY- (REWORK) (OPT ITEM 468B)	K-M,P ,Y,AA ,AB	1
-468B	315T3120-17		..DUCT ASSY- (OPT ITEM 468A)	K-M,P ,Y,AA ,AB	1
470	5830205-101		..VALVE-SHUTOFF (V92003) (SPEC S315T106-3) (OPT 5830205-102 (V92003))	A,C, J-P,Y ,AA,A B	1
-470A	5830205-102		..VALVE-SHUTOFF (V92003) (SPEC S315T106-3) (OPT 5830205-101 (V92003))	A,C, J-P,Y ,AA,A B	1

71-11-32

 ILLUSTRATED PARTS LIST
 01.1 Page 1070S
 Jul 01/03

FIG. & ITEM	PART NO.	AIRLINE PART NUMBER	NOMENCLATURE 1234567	EFF CODE	QTY PER ASSY
01-472	HL1012AZ6-3		..BOLT- (V97928) (SPEC BACB30NX6K3) (OPT HL12VAZ6-3 (V73197)) (OPT HL12VAZ6-3 (V92215)) (OPT HL12VAZ6-3 (V97928)) (OPT L802-6K3 (V06725)) (OPT HL12VAZ6-3 (V56878)) (OPT HL1012AZ6-3 (V0PTK6)) (OPT HL1012AZ6-3 (V06725)) (OPT HL1012AZ6-3 (V06950)) (OPT HL1012AZ6-3 (V17446)) (OPT HL1012AZ6-3 (V56878)) (OPT HL1012AZ6-3 (V60516)) (OPT HL1012AZ6-3 (V73197))	A,C, J-P,Y AA,A B	3
474	BACB30FN6A19K		..BOLT	A,C, J-P,Y AA,A B	7

71-11-32

 ILLUSTRATED PARTS LIST
 01.1 Page 1070T
 Jul 01/03


BOEING
 COMPONENT
 MAINTENANCE MANUAL

FIG. & ITEM	PART NO.	AIRLINE PART NUMBER	NOMENCLATURE 1234567	EFF CODE	QTY PER ASSY
01-476	HL97DU6		..COLLAR- (V73197) (SPEC BACC30AB6S) (OPT HL97DU6 (V92215)) (OPT HL97DU6 (V56878))	A,C, J-P,Y ,AA,A B	7
478	315T3127-7		..INLET ASSY- (OPT ITEM 478A)	A,C, J-P,Y ,AA,A B	1
-478A	315T3127-12		..INLET ASSY- (OPT ITEM 478)	A,C, J-P,Y ,AA,A B	1
R 480	HL11VAZ6-19		..BOLT- (V60516) (SPEC BACB30NW6K19) (OPT B30NW6K19 (V97928)) (OPT HL11VAZ6-19 (V73197)) (OPT HL11VAZ6-19 (V92215)) (OPT HL11VAZ6-19 (V97928)) (OPT L803-6K19 (V06725)) (OPT HL11VAZ6-19 (V0PTK6)) (OPT HL11VAZ6-19 (V56878))	A,C, J-P,Y ,AA,A B	3
482	BACW10BN6SP		..WASHER	A,C, J-P,Y ,AA,A B	3

71-11-32

ILLUSTRATED PARTS LIST

01.1 Page 1070U

Jul 01/03

FIG. & ITEM	PART NO.	AIRLINE PART NUMBER	NOMENCLATURE 1234567	EFF CODE	QTY PER ASSY
01-484	HL79-6		..COLLAR- (V5M902) (SPEC BACC30M6) (OPT HL79-6 (V73197)) (OPT HL79-6 (V92215)) (OPT 66014-6 (V56878)) (OPT HL79-6 (V56878))	A,C, J-P,Y ,AA,A B	3
486	315T3130-2		..BRACKET ASSY	A,C, J-P,Y ,AA,A B	1
488	315T3130-12		..BRACKET ASSY	A,C, J-P,Y ,AA,A B	1
490	BACR15CE3M		...RIVET- (SIZE DETERMINE ON INST)	A,C, J-P,Y ,AA,A B	4
492	BRM100C3M		...NUTPLATE- (V52828) (SPEC BACN10JP3BCM) (OPT MK2001-3BAC (V15653)) (OPT NS103198SE02 (V80539)) (OPT T8081C1032 (V11815)) (OPT VN201D1-02 (V92215)) (OPT 109A9207M3 (V72962))	A,C, J-P,Y ,AA,A B	2

71-11-32

ILLUSTRATED PARTS LIST

01.1 Page 1070V

Jul 01/03


BOEING
 COMPONENT
 MAINTENANCE MANUAL

FIG. & ITEM	PART NO.	AIRLINE PART NUMBER	NOMENCLATURE 1234567	EFF CODE	QTY PER ASSY
01-494	315T3130-7		...BRACKET- (USED ON ITEM 486)	A,C, J-P,Y ,AA,A B	1
496	315T3130-11		...BRACKET- (USED ON ITEM 488)	A,C, J-P,Y ,AA,A B	1
498	315T3202-73		.BOX INSTL-COWL REVERSER TORQUE (FOR DETAILS SEE FIG. 3)	A,C, J-P,Y ,AA,A B	1
-499	315T3202-115		DELETED		
-500	315T3202-74		.BOX INSTL-COWL REVERSER TORQUE (FOR DETAILS SEE FIG. 3)	B,D,Z	1
-501	315T3202-116		DELETED		
-502	332T3074-1		.TUBE INSTL-DRAIN	B,D,Z	1
504	HL10VAZ6-24		..BOLT- (V60516) (SPEC BACB30MY6K24) (OPT B30MY6K24 (V97928))	B,D,Z	1
506	BACW10BN3SP		..WASHER	B,D,Z	1
508	BRH10C3M		..NUT- (V52828) (SPEC BACN10JC3CM) (OPT T6C1032JM (V11815)) (OPT 97E02 (V80539)) (OPT 109LH9075-3W (V72962)) (OPT VN303D02 (V92215)) (OPT NS202101SE02 (V80539)) (OPT H01-3BAC (V15653))	B,D,Z	1

71-11-32

 ILLUSTRATED PARTS LIST
 01.1 Page 1070W
 Jul 01/03

FIG. & ITEM	PART NO.	AIRLINE PART NUMBER	NOMENCLATURE 1234567	EFF CODE	QTY PER ASSY
01-510	JM44LC13WS6R		..CLAMP- (V22175) (SPEC BACC10GE6) (OPT S369WH6 (V18076)) (OPT TA12C32WS6 (V84971)) (OPT 509S6 (V83930))	B,D,Z	1
512	NAS42DD6-19		..SPACER	B,D,Z	1
514	S258T16		..CLAMP- (V18076) (SPEC BACC10DW16S) (OPT TA4C44S16T (V84971)) (OPT 475CS16 (V83930)) (OPT 8084C16T (V72285))	B,D,Z	1
516	BACS12CK3-24		..BOLT	B,D,Z	2
518	BACW10BN3SP		..WASHER	B,D,Z	2
520	BACS18AN16		..SPACER- (V07073) (SPEC BACS18AN16) (OPT BACS18AN16 (V15805)) (OPT BACS18AN16 (V99648))	B,D,Z	1
522	BRH10C3M		..NUT- (V52828) (SPEC BACN10JC3CM) (OPT T6C1032JM (V11815)) (OPT 97E02 (V80539)) (OPT 109LH9075-3W (V72962)) (OPT VN303D02 (V92215)) (OPT NS202101SE02 (V80539)) (OPT H01-3BAC (V15653))	B,D,Z	2

71-11-32

 ILLUSTRATED PARTS LIST
 01.1 Page 1070X
 Jul 01/03

BOEING
 COMPONENT
 MAINTENANCE MANUAL

FIG. & ITEM	PART NO.	AIRLINE PART NUMBER	NOMENCLATURE 1234567	EFF CODE	QTY PER ASSY
01-524	JM44SC17S16R		..CLAMP- (V22175) (SPEC BACC10GF16H) (OPT S386H16 (V18076)) (OPT TA12C34S16 (V84971)) (OPT 512S16 (V83930))	B,D,Z	1
526	BACS12CK3-8		..SCREW	B,D,Z	4
528	BACW10BN3SP		..WASHER	B,D,Z	1
530	AN960C10L		..WASHER	B,D,Z	3
532	BRH10C3M		..NUT- (V52828) (SPEC BACN10JC3CM) (OPT T6C1032JM (V11815)) (OPT 97E02 (V80539)) (OPT 109LH9075-3W (V72962)) (OPT VN303D02 (V92215)) (OPT NS202101SE02 (V80539)) (OPT H01-3BAC (V15653))	B,D,Z	4

71-11-32

ILLUSTRATED PARTS LIST
 01.1 Page 1070Y
 Jul 01/03

FIG. & ITEM	PART NO.	AIRLINE PART NUMBER	NOMENCLATURE 1234567	EFF CODE	QTY PER ASSY
01-					
534	NAS514P1032-8P		..SCREW	B,D,Z	5
536	NAS620C10L		..WASHER	B,D,Z	5
538	CR59083		..NUT-	B,D,Z	5
			(V62554)		
			(SPEC BACN10HR3CS)		
			(OPT H39953-3		
			(V15653))		
			(OPT SL7059C1032		
			(V11815))		
			(OPT 109LH9031-3		
			(V72962))		
			(OPT 67832AS1032		
			(V56878))		
			(OPT BMN5024CPD3-3		
			(V08524))		
			(OPT BH00303-3		
			(V27238))		
			(OPT BMN10HRCPD3-3		
			(V97928))		
			(OPT BH003033		
			(V27238))		
			(OPT BMN5024CPD33		
			(V97928))		
			(OPT SL705093		
			(V11815))		
			(OPT 109LH90313		
			(V72962))		
			(OPT 67832AS3		
			(V56878))		

71-11-32

ILLUSTRATED PARTS LIST

01.1 Page 1070Z

Jul 01/03

BOEING
 COMPONENT
 MAINTENANCE MANUAL

FIG. & ITEM	PART NO.	AIRLINE PART NUMBER	NOMENCLATURE 1234567	EFF CODE	QTY PER ASSY
01-540	D4848-1		..SEAL- (V75345) (SPEC 60B90602-1)	B,D,Z	1
542	AP1008-06JL		..CAP- (V01673) (SPEC BACC14AD06JL) (OPT DBOC14AD6JL (V14798)) (OPT FER22661-06JL (V14397)) (OPT 2-02813-04JL (V11328)) (OPT 4690009-06JL (V50948)) (OPT AFP241-06JL (V30974)) (OPT US2103-06JL (V50808))	B,D,Z	1
544	332T3071-22		..TUBE ASSY	B,D,Z	1
546	NAS1398CW5-3		.RIVET	A-D, J-P, Y-AB	1
548	NAS1398CW5-2		.RIVET	A-D, J-P, Y-AB	1
550	BACR15FT5KE5		.RIVET	A-D, J-P, Y-AB	2
552	BACR15FT5KE2		.RIVET	A-D, J-P, Y-AB	23

71-11-32

ILLUSTRATED PARTS LIST
 01.1 Page 1071
 Jul 01/03

FIG. & ITEM	PART NO.	AIRLINE PART NUMBER	NOMENCLATURE 1234567	EFF CODE	QTY PER ASSY
01-554	BACR15CE6KE		.RIVET- (SIZE DETERMINE ON INST)	A-D, J-P, Y-AB	1
556	BACR15CE5KE		.RIVET- (SIZE DETERMINE ON INST)	A-D, J-P, Y-AB	1
558	BACR15BB5AD3		.RIVET	A-D, J-P, Y-AB	1
560	HL10VAZ5-17		.BOLT- (V60516) (SPEC BACB30MY5K17) (OPT B30MY5K17 (V97928))	A-D, J-P, Y-AB	26
562	HL10VAZ5-4		.BOLT- (V60516) (SPEC BACB30MY5K4) (OPT B30MY5K4 (V97928))	A-D, J-P, Y-AB	3
564	HL10VAZ5-3		.BOLT- (V60516) (SPEC BACB30MY5K3) (OPT B30MY5K3 (V97928))	A-D, J-P, Y-AB	3
566	HL79-5		.COLLAR- (V5M902) (SPEC BACC30M5) (OPT HL70-5 (V73197)) (OPT HL70-5 (V92215)) (OPT 66014-5 (V56878)) (OPT HL70-5 (V56878))	A-D, J-P, Y-AB	30

71-11-32

 ILLUSTRATED PARTS LIST
 01.1 Page 1072
 Jul 01/03


BOEING
 COMPONENT
 MAINTENANCE MANUAL

FIG. & ITEM	PART NO.	AIRLINE PART NUMBER	NOMENCLATURE 1234567	EFF CODE	QTY PER ASSY
01-567	BRH10C08M		.NUT- (V52828) (SPEC BACN10JC08CM) (OPT T6C832JM (V11815)) (OPT 97E82 (V80539)) (OPT 109LH9075-82W (V72962)) (OPT VN303D82 (V92215)) (OPT NS202101SE82 (V80539)) (OPT H01-08BAC (V15653))	A-D, J-P, Y-AB	2
568	HL10VAZ6-20		.BOLT- (V60516) (SPEC BACB30MY6K20) (OPT B30MY6K20 (V97928))	A-D, J-P, Y-AB	2
570	HL79-6		.COLLAR- (V5M902) (SPEC BACC30M6) (OPT HL79-6 (V73197)) (OPT HL79-6 (V92215)) (OPT 66014-6 (V56878)) (OPT HL79-6 (V56878))	A-D, J-P, Y-AB	2
572	2ASPPFDT6-18		.COLLAR- (V17446)	A-D, J-P, Y-AB	6
574	ASPFSDT6		.SLEEVE- (V17446)	A-D, J-P, Y-AB	6
576	ASPLC2AC6		.COLLAR- (V17446)	A-D, J-P, Y-AB	6
578	315T3008-1		.FAIRING-FILLET	A,C, J-P, Y-AB	1

71-11-32

ILLUSTRATED PARTS LIST

01.1 Page 1072A

Jul 01/03

FIG. & ITEM	PART NO.	AIRLINE PART NUMBER	NOMENCLATURE 1234567	EFF CODE	QTY PER ASSY
01- -580	315T3008-2		.FAIRING-FILLET	B,D,Z	1
582	NAS1398CW5-3		.RIVET	A-D, J-P, Y-AB	1
584	BACR15BB5AD3		.RIVET	A-D, J-P, Y-AB	1
586	BACR15CE6KE		.RIVET- (SIZE DETERMINE ON INST)	A-D, J-P, Y-AB	8
588	HL10VAZ6-21		.BOLT- (V60516) (SPEC BACB30MY6K21) (OPT B30MY6K21 (V97928))	A-D, J-P, Y-AB	1
590	HL10VAZ6-20		.BOLT- (V60516) (SPEC BACB30MY6K20) (OPT B30MY6K20 (V97928))	A-D, J-P, Y-AB	9
592	HL10VAZ6-18		.BOLT- (V60516) (SPEC BACB30MY6K18) (OPT B30MY6K18 (V97928))	A-D, J-P, Y-AB	20
594	HL13VAZ6-21		.BOLT- (V56878) (SPEC BACB30NY6K21) (OPT HL13VAZ6-21 (V73197)) (OPT HL13VAZ6-21 (V92215)) (OPT HL13VAZ6-21 (V97928)) (OPT L801-6K21 (V06725)) (OPT HL13VAZ6-21 (V08524)) (OPT HL13V21 (V06725)) (OPT HL13VAZ6-21 (V17446))	A-D, J-P, Y-AB	1

71-11-32

 ILLUSTRATED PARTS LIST
 01.1 Page 1072B
 Jul 01/03

BOEING
 COMPONENT
 MAINTENANCE MANUAL

FIG. & ITEM	PART NO.	AIRLINE PART NUMBER	NOMENCLATURE 1234567	EFF CODE	QTY PER ASSY
01-596	HL79-6		.COLLAR- (V5M902) (SPEC BACC30M6) (OPT HL79-6 (V73197)) (OPT HL79-6 (V92215)) (OPT 66014-6 (V56878)) (OPT HL79-6 (V56878))	A-D, J-P, Y-AB	31
598	HL1012AZ8-10		.BOLT- (V0PTK6) (SPEC BACB30NX8K10) (OPT HL12VAZ8-10 (V73197)) (OPT HL12VAZ8-10 (V92215)) (OPT HL12VAZ8-10 (V97928)) (OPT L802-8K10 (V06725)) (OPT HL12VAZ8-10 (V56878)) (OPT HL1012AZ8-10 (V06725)) (OPT HL1012AZ8-10 (V06950)) (OPT HL1012AZ8-10 (V17446)) (OPT HL1012AZ8-10 (V56878)) (OPT HL1012AZ8-10 (V60516)) (OPT HL1012AZ8-10 (V73197)) (OPT HL1012AZ8-10 (V97928))	A-D, J-P, Y-AB	4

71-11-32

ILLUSTRATED PARTS LIST
 01.1 Page 1072C
 Jul 01/03

FIG. & ITEM	PART NO.	AIRLINE PART NUMBER	NOMENCLATURE 1234567	EFF CODE	QTY PER ASSY
01-600	HL1187DUW8		.COLLAR- (V5M902) (SPEC BACC30X8SW) (OPT HL87DUW8 (V73197)) (OPT HL87DUW8 (V92215)) (OPT HL1187DUW8 (V56878)) (OPT HL1187DUW8 (V92215)) (OPT HL87DUW8 (V56878)) (OPT HL1187DUW8 (V73197))	A-D, J-P, Y-AB	4
602	HL1012AZ6-10		.BOLT- (V97928) (SPEC BACB30NX6K10) (OPT HL12VAZ6-10 (V73197)) (OPT HL12VAZ6-10 (V92215)) (OPT HL12VAZ6-10 (V97928)) (OPT L802-6K10 (V06725)) (OPT HL12VAZ6-10 (V56878)) (OPT HL1012AZ6-10 (V0PTK6)) (OPT HL1012AZ6-10 (V06725)) (OPT HL1012AZ6-10 (V06950)) (OPT HL1012AZ6-10 (V17446)) (OPT HL1012AZ6-10 (V56878)) (OPT HL1012AZ6-10 (V60516)) (OPT HL1012AZ6-10 (V73197))	A-D, J-P, Y-AB	2

71-11-32

 ILLUSTRATED PARTS LIST
 01.1 Page 1072D
 Jul 01/03


BOEING
 COMPONENT
 MAINTENANCE MANUAL

FIG. & ITEM	PART NO.	AIRLINE PART NUMBER	NOMENCLATURE 1234567	EFF CODE	QTY PER ASSY
01-604	HL1187DUW6		.COLLAR- (V5M902) (SPEC BACC30X6SW) (OPT HL87DUW6 (V73197)) (OPT HL87DUW6 (V92215)) (OPT HL1187DUW6 (V56878)) (OPT HL1187DUW6 (V92215)) (OPT HL87DUW6 (V56878)) (OPT HL1187DUW6 (V73197))	A-D, J-P, Y-AB	2
606	HL13VAZ6-10		.BOLT- (V56878) (SPEC BACB30NY6K10) (OPT HL13VAZ6-10 (V73197)) (OPT HL13VAZ6-10 (V92215)) (OPT HL13VAZ6-10 (V97928)) (OPT L801-6K10 (V06725)) (OPT HL13VAZ6-10 (V08524)) (OPT HL13V10 (V06725)) (OPT HL13VAZ6-10 (V17446))	A-D, J-P, Y-AB	1

71-11-32

ILLUSTRATED PARTS LIST

01.1 Page 1072E

Jul 01/03

FIG. & ITEM	PART NO.	AIRLINE PART NUMBER	NOMENCLATURE 1234567	EFF CODE	QTY PER ASSY
01-608	HL13VAZ6-9		.BOLT- (V56878) (SPEC BACB30NY6K9) (OPT HL13VAZ6-9 (V73197)) (OPT HL13VAZ6-9 (V92215)) (OPT HL13VAZ6-9 (V97928)) (OPT L801-6K9 (V06725)) (OPT HL13VAZ6-9 (V08524)) (OPT HL13V9 (V06725)) (OPT HL13VAZ6-9 (V17446))	A-D, J-P, Y-AB	1
610	HL13VAZ6-5		.BOLT- (V56878) (SPEC BACB30NY6K5) (OPT HL13VAZ6-5 (V73197)) (OPT HL13VAZ6-5 (V92215)) (OPT HL13VAZ6-5 (V97928)) (OPT L801-6K5 (V06725)) (OPT HL13VAZ6-5 (V08524)) (OPT HL13V5 (V06725)) (OPT HL13VAZ6-5 (V17446))	A-D, J-P, Y-AB	2

71-11-32

 ILLUSTRATED PARTS LIST
 01.1 Page 1072F
 Jul 01/03


BOEING
 COMPONENT
 MAINTENANCE MANUAL

FIG. & ITEM	PART NO.	AIRLINE PART NUMBER	NOMENCLATURE 1234567	EFF CODE	QTY PER ASSY
01-612	HL1187DU6		.COLLAR- (V5M902) (SPEC BACC30X6S) (OPT HL87DU6 (V73197)) (OPT HL87DU6 (V92215)) (OPT HL1187DU6 (V56878)) (OPT HL1187DU6 (V92215)) (OPT HL87DU6 (V56878)) (OPT HL1187DU6 (V73197))	A-D, J-P, Y-AB	4
614	ASPF6DT6-17		.PIN- (V17446)	A-D, J-P, Y-AB	2
616	ASPF6SDT6		.SLEEVE- (V17446)	A-D, J-P, Y-AB	2
618	ASPLC2AC6		.COLLAR- (V17446)	A-D, J-P, Y-AB	2
620	BACB30MY6F18		.BOLT	A-D, J-P, Y-AB	3
622	H10-3BAC		.NUT- (V15653) (SPEC BACN10JC3) (OPT NS202101-02 (V80539)) (OPT RMLH9075-3W (V72962)) (OPT T6S1032J (V71087)) (OPT VN303A02 (V92215)) (OPT 96-02 (V80539)) (OPT BRH10A3 (V52828))	A-D, J-P, Y-AB	3

71-11-32

ILLUSTRATED PARTS LIST

01.1 Page 1072G

Jul 01/03

FIG. & ITEM	PART NO.	AIRLINE PART NUMBER	NOMENCLATURE 1234567	EFF CODE	QTY PER ASSY
01-624	315T3400-209		.BIFURCATION ASSY-LWR (FOR DETAILS SEE FIG. 4)	A,C, J-P	1
-624A	315T3400-207		.BIFURCATION ASSY-LWR (FOR DETAILS SEE FIG. 4)	Y,AA, AB	1
-626	315T3400-210		.BIFURCATION ASSY-LWR (FOR DETAILS SEE FIG. 4)	B,D	1
-626A	315T3400-200		.BIFURCATION ASSY-LWR (REWORK) (FOR DETAILS SEE FIG. 4)	Z	1
628	BACB30LH3-20		.BOLT	A-D, J-P, Y-AB	1
630	AN960-10		.WASHER	A-D, J-P, Y-AB	1
632	BRH10C3M		.NUT- (V52828) (SPEC BACN10JC3CM) (OPT T6C1032JM (V11815)) (OPT 97E02 (V80539)) (OPT 109LH9075-3W (V72962)) (OPT VN303D02 (V92215)) (OPT NS202101SE02 (V80539)) (OPT H01-3BAC (V15653))	A-D, J-P, Y-AB	1

71-11-32

 ILLUSTRATED PARTS LIST
 01.1 Page 1072H
 Jul 01/03


BOEING
 COMPONENT
 MAINTENANCE MANUAL

FIG. & ITEM	PART NO.	AIRLINE PART NUMBER	NOMENCLATURE 1234567	EFF CODE	QTY PER ASSY
01-634	BACB30LJ4-18		.BOLT	A-D, J-P, Y-AB	2
636	NAS1805-4N		.NUT	A-D, J-P, Y-AB	2
638	HL13VAZ6-20		.BOLT- (V56878) (SPEC BACB30NY6K20) (OPT HL13VAZ6-20 (V73197)) (OPT HL13VAZ6-20 (V92215)) (OPT HL13VAZ6-20 (V97928)) (OPT L801-6K20 (V06725)) (OPT HL13VAZ6-20 (V08524)) (OPT HL13V20 (V06725)) (OPT HL13VAZ6-20 (V17446))	A-D, J-P, Y-AB	2
640	HL10VAZ6-5		.BOLT- (V60516) (SPEC BACB30MY6K5) (OPT B30MY6K5 (V97928))	A-D, J-P, Y-AB	4
642	HL79-6		.COLLAR- (V5M902) (SPEC BACC30M6) (OPT HL79-6 (V73197)) (OPT HL79-6 (V92215)) (OPT 66014-6 (V56878)) (OPT HL79-6 (V56878))	A-D, J-P, Y-AB	6

71-11-32

ILLUSTRATED PARTS LIST

01.1 Page 1072I

Jul 01/03

FIG. & ITEM	PART NO.	AIRLINE PART NUMBER	NOMENCLATURE 1234567	EFF CODE	QTY PER ASSY
01-644	HL13VAZ8-20		.BOLT- (V56878) (SPEC BACB30NY8K20) (OPT HL13VAZ8-20 (V73197)) (OPT HL13VAZ8-20 (V92215)) (OPT HL13VAZ8-20 (V97928)) (OPT L801-8K20 (V06725)) (OPT HL13VAZ8-20 (V08524)) (OPT HL13V20 (V06725)) (OPT HL13VAZ8-20 (V17446))	A-D, J-P, Y-AB	2
646	HL79-8		.COLLAR- (V5M902) (SPEC BACC30M8) (OPT HL79-8 (V73197)) (OPT HL79-8 (V92215)) (OPT 66014-8 (V56878)) (OPT HL79-8 (V56878))	A-D, J-P, Y-AB	2
648	315T3256-3		.PLATE-SPLICE	A,C, J-P,Y ,AA,A B	1
-650	315T3256-4		.PLATE-SPLICE	B,D,Z	1

71-11-32

 ILLUSTRATED PARTS LIST
 01.1 Page 1072J
 Jul 01/03


BOEING
 COMPONENT
 MAINTENANCE MANUAL

FIG. & ITEM	PART NO.	AIRLINE PART NUMBER	NOMENCLATURE 1234567	EFF CODE	QTY PER ASSY
01-652	315T3002-16		.STRAP	A-D, J-P, Y-AB	1
654	BACS40R10C17F		.SHIM	A-D, J-P, Y-AB	1
656	315T3409-1		.PAD ASSY-CPRSN FWD	A,C, J-P	1
-656A	315T3409-1		.PAD ASSY-CPRSN FWD (OPT ITEM 656B)	Y,AA, AB	1
-656B	315T3409-7		.PAD ASSY-CPRSN FWD (OPT ITEM 656A)	Y,AA, AB	1
-658	315T3409-2		.PAD ASSY-CPRSN FWD	B,D	1
-658A	315T3409-2		.PAD ASSY-CPRSN FWD (OPT ITEM 658B)	Z	1
-658B	315T3409-8		.PAD ASSY-CPRSN FWD (OPT ITEM 658A)	Z	1
660	MS21209C0820P		..INSERT	A-D, J-P, Y-AB	2
662	315T3409-3		..FITTING-PAD (USED ON ITEM 656, 656A)	A,C, J-P,Y ,AA,A B	1
-662A	315T3409-9		..FITTING-PAD (USED ON ITEM 656B)	Y,AA, AB	1
-664	315T3409-4		..FITTING-PAD (USED ON ITEM 658, 658A)	B,D,Z	1
-664A	315T3409-10		..FITTING-PAD (USED ON ITEM 658B)	Z	1
666	315T3204-7		.RING ASSY- (OPT ITEM 852)	A,C, J-P,Y ,AA,A B	1
-668	315T3204-8		.RING ASSY- (OPT ITEM 854)	B,D,Z	1
670	BACR15CE6KE7		..RIVET	A-D, J-P, Y-AB	4
672	315T3222-2		..BUSHING	A-D, J-P, Y-AB	1

71-11-32

ILLUSTRATED PARTS LIST

01.1 Page 1072K

Jul 01/03

FIG. & ITEM	PART NO.	AIRLINE PART NUMBER	NOMENCLATURE 1234567	EFF CODE	QTY PER ASSY
01-674	HL13VAZ6-4		..BOLT- (V56878) (SPEC BACB30NY6K4) (OPT HL13VAZ6-4 (V73197)) (OPT HL13VAZ6-4 (V92215)) (OPT HL13VAZ6-4 (V97928)) (OPT L801-6K4 (V06725)) (OPT HL13VAZ6-4 (V08524)) (OPT HL13V4 (V06725)) (OPT HL13VAZ6-4 (V17446))	A-D, J-P, Y-AB	72
R 676	HL11VAZ6-3		..BOLT- (V60516) (SPEC BACB30NW6K3) (OPT B30NW6K3 (V97928)) (OPT HL11VAZ6-3 (V73197)) (OPT HL11VAZ6-3 (V92215)) (OPT HL11VAZ6-3 (V97928)) (OPT L803-6K3 (V06725)) (OPT HL11VAZ6-3 (V0PTK6)) (OPT HL11VAZ6-3 (V56878))	A-D, J-P, Y-AB	66
678	BACB30M6		DELETED		

71-11-32

 ILLUSTRATED PARTS LIST
 01.1 Page 1072L
 Jul 01/03


BOEING
 COMPONENT
 MAINTENANCE MANUAL

FIG. & ITEM	PART NO.	AIRLINE PART NUMBER	NOMENCLATURE 1234567	EFF CODE	QTY PER ASSY
01-678A	HL79-6		..COLLAR- (V5M902) (SPEC BACC30M6) (OPT HL79-6 (V73197)) (OPT HL79-6 (V92215)) (OPT 66014-6 (V56878)) (OPT HL79-6 (V56878))	A-D, J-P, Y-AB	138
680	315T3220-1		..STRIP-RUB	A-D, J-P, Y-AB	6
682	BACR15CE8KE20		..RIVET	A-D, J-P, Y-AB	5
684	BACR15BA8KE22		..RIVET	A-D, J-P, Y-AB	5
686	BACR15CE8KE17		..RIVET	A-D, J-P, Y-AB	5
688	BACR15BA8KE19		..RIVET	A-D, J-P, Y-AB	5
R 690	HL11VAZ6-5		..BOLT- (V60516) (SPEC BACB30NW6K5) (OPT HL11V6-5 (V92215)) (OPT HL11V6-5 (V97928)) (OPT L803-6-5 (V06725)) (OPT B30NW6K5 (V97928)) (OPT HL11VAZ6-5 (V73197)) (OPT HL11VAZ6-5 (V92215)) (OPT HL11VAZ6-5 (V56878))	A-D, J-P, Y-AB	4

71-11-32

ILLUSTRATED PARTS LIST

01.1 Page 1072M

Jul 01/03

FIG. & ITEM	PART NO.	AIRLINE PART NUMBER	NOMENCLATURE 1234567	EFF CODE	QTY PER ASSY
01-692	HL10VAZ6-4		..BOLT- (V60516) (SPEC BACB30MY6K4) (OPT B30MY6K4 (V97928))	A-D, J-P, Y-AB	5
694	HL79-6		..COLLAR- (V5M902) (SPEC BACC30M6) (OPT HL79-6 (V73197)) (OPT HL79-6 (V92215)) (OPT 66014-6 (V56878)) (OPT HL79-6 (V56878))	A-D, J-P, Y-AB	9
696	BACS40R21B29F		..SHIM	A-D, J-P, Y-AB	AR
698	BACS40R22C65F		..SHIM	A-D, J-P, Y-AB	AR
700	BACS40R11B2833F		..SHIM	A-D, J-P, Y-AB	AR
702	BACS40R21B35F		..SHIM	A-D, J-P, Y-AB	AR
704	BACS40R22C58F		..SHIM	A-D, J-P, Y-AB	AR
706	BACS40R11B28F		..SHIM	A-D, J-P, Y-AB	AR

71-11-32

 ILLUSTRATED PARTS LIST
 01.1 Page 1072N
 Jul 01/03


BOEING
 COMPONENT
 MAINTENANCE MANUAL

FIG. & ITEM	PART NO.	AIRLINE PART NUMBER	NOMENCLATURE 1234567	EFF CODE	QTY PER ASSY
01-708	315T3216-1		..FITTING	A,C, J-P,Y ,AA,A B	1
-710	315T3216-2		..FITTING	B,D,Z	1
712	315T3203-1		..FITTING	A,C, J-P,Y ,AA,A B	1
-714	315T3203-2		..FITTING	B,D,Z	1
-716	315T3664-1		..BUSHING INSTL-(REWORK)	A,C, J-P,Y ,AA,A B	1
-718	315T3664-2		..BUSHING INSTL-(REWORK)	B,D,Z	1
720	315T3222-3		...BUSHING	A-D, J-P, Y-AB	1
722	BACR15CE6KE7		...RIVET	A-D, J-P, Y-AB	4
724	315T3240-1		.SEAL INSTL-THRUST REVERSER AERODYN (FOR DETAILS SEE FIG. 5)	A,C, J-P,Y ,AA,A B	1
-726	315T3240-2		.SEAL INSTL-THRUST 6--REVERSER AERODYN (FOR DETAILS SEE FIG. 5)	B,D,Z	1
-728	315T3122-1		.DUCT INSTL-INLET FTG	A,C, J-P,Y ,AA,A B	1
730	NAS514P1032-8P		..SCREW	A,C, J-P,Y ,AA,A B	5

71-11-32

ILLUSTRATED PARTS LIST

01.1 Page 10720

Jul 01/03

FIG. & ITEM	PART NO.	AIRLINE PART NUMBER	NOMENCLATURE 1234567	EFF CODE	QTY PER ASSY
01-732	AN960PD10L		..WASHER	A,C, J-P,Y ,AA,A B	5
734	H10-3BAC		..NUT- (V15653) (SPEC BACN10JC3) (OPT NS202101-02 (V80539)) (OPT RMLH9075-3W (V72962)) (OPT T6S1032J (V71087)) (OPT VN303A02 (V92215)) (OPT 96-02 (V80539)) (OPT BRH10A3 (V52828))	A,C, J-P,Y ,AA,A B	5
736	D4848-1		..SEAL- (V75345) (SPEC 60B90602-1)	A,C, J-P,Y ,AA,A B	1
738	HL505-6-17		..BOLT- (V60516) (SPEC BACB30HA6R17) (OPT HL505-6-17 (V92215)) (OPT HL505-6-17 (V73197))	A,C, J-P,Y ,AA,A B	12

71-11-32

ILLUSTRATED PARTS LIST

01.1 Page 1072P

Jul 01/03


BOEING
 COMPONENT
 MAINTENANCE MANUAL

FIG. & ITEM	PART NO.	AIRLINE PART NUMBER	NOMENCLATURE 1234567	EFF CODE	QTY PER ASSY
01-740	315T3122-3		..SHIM	A,C, J-P,Y ,AA,A B	12
742	HL77-6		..COLLAR- (V5M902) (SPEC BACC30P6) (OPT HL77-6 (V73197)) (OPT HL77-6 (V92215)) (OPT 66015-6 (V56878)) (OPT HL77-6 (V56878))	A,C, J-P,Y ,AA,A B	12
744	315T3121-1		..DUCT ASSY	A,C, J-P,Y ,AA,A B	1
746	BACB30MB5		...BOLT- (SIZE DETERMINE ON INST)	A,C, J-P,Y ,AA,A B	2
748	BACB30JC5A		...BOLT- (SIZE DETERMINE ON INST)	A,C, J-P,Y ,AA,A B	2

71-11-32

ILLUSTRATED PARTS LIST

01.1 Page 1072Q

Jul 01/03

FIG. & ITEM	PART NO.	AIRLINE PART NUMBER	NOMENCLATURE 1234567	EFF CODE	QTY PER ASSY
01-750	HL1187-5		...COLLAR- (V5M902) (SPEC BACC30X5) (OPT HL87-5 (V73197)) (OPT HL87-5 (V92215)) (OPT HL86PB5 (V73197)) (OPT HL86PB5 (V56878)) (OPT HL86PB5 (V92215)) (OPT HL1187-5 (V56878)) (OPT HL1187-5 (V92215)) (OPT HL87-5 (V56878)) (OPT HL1187-5 (V73197))	A,C, J-P,Y ,AA,A B	4
752	315T3121-7		...STIFFENER	A,C, J-P,Y ,AA,A B	1
754	315T3121-2		...DUCT	A,C, J-P,Y ,AA,A B	1

71-11-32

 ILLUSTRATED PARTS LIST
 01.1 Page 1072R
 Jul 01/03

BOEING
 COMPONENT
 MAINTENANCE MANUAL

FIG. & ITEM	PART NO.	AIRLINE PART NUMBER	NOMENCLATURE 1234567	EFF CODE	QTY PER ASSY
01- -756	315T3124-5		.DUCT INSTL-EXH	A,C, J-P,Y ,AA,A B	1
-758	315T3124-6		.DUCT INSTL-EXH	B,D,Z	1
-759	315T3124-8		DELETED		
R 760	HL11VAZ6-19		..BOLT- (V60516) (SPEC BACB30NW6K19) (OPT B30NW6K19 (V97928)) (OPT HL11VAZ6-19 (V73197)) (OPT HL11VAZ6-19 (V92215)) (OPT HL11VAZ6-19 (V97928)) (OPT L803-6K19 (V06725)) (OPT HL11VAZ6-19 (V0PTK6)) (OPT HL11VAZ6-19 (V56878))	A-D, J-P, Y-AB	16
R 762	HL11VAZ6-19		..BOLT- (V60516) (SPEC BACB30NW6K19) (OPT B30NW6K19 (V97928)) (OPT HL11VAZ6-19 (V73197)) (OPT HL11VAZ6-19 (V92215)) (OPT HL11VAZ6-19 (V97928)) (OPT L803-6K19 (V06725)) (OPT HL11VAZ6-19 (V0PTK6)) (OPT HL11VAZ6-19 (V56878))	B,D,Z	16

71-11-32

ILLUSTRATED PARTS LIST
 01.1 Page 1072S
 Jul 01/03

FIG. & ITEM	PART NO.	AIRLINE PART NUMBER	NOMENCLATURE 1234567	EFF CODE	QTY PER ASSY
01-764	BACS40R7B10F		..SHIM	A-D, J-P, Y-AB	AR
766	BACS40R7B10F		..SHIM	B,D,Z	AR
768	BACC30AB6		DELETED		
768A	HL97DU6		..COLLAR- (V73197) (SPEC BACC30AB6S) (OPT HL97DU6 (V92215)) (OPT HL97DU6 (V56878))	A-D, J-P, Y-AB	16
770	BACC30AB6		DELETED		
770A	HL97DU6		..COLLAR- (V73197) (SPEC BACC30AB6S) (OPT HL97DU6 (V92215)) (OPT HL97DU6 (V56878))	B,D,Z	16
772	315T3135-1		..GASKET	A-D, J-P, Y-AB	2
774	315T3135-1		..GASKET	B,D,Z	2
776	315T3135-2		..GASKET	A-D, J-P, Y-AB	1
778	315T3135-2		..GASKET	B,D,Z	1
780	315T3135-3		..GASKET	A-D, J-P, Y-AB	1
782	315T3135-3		..GASKET	B,D,Z	1
784	NAS514P1032-8P		..SCREW- (REPLS ITEM 784A)	A-D, J-P, Y-AB	8
-784A	NAS514P1032-12P		..SCREW- (REPLD BY ITEM 784)	A-D, J-P, Y-AB	8
785	NAS514P1032-16P		DELETED		
786	NAS514P1032-8P		..SCREW- (REPLS ITEM 786A)	B,D,Z	8
-786A	NAS514P1032-12P		..SCREW- (REPLD BY ITEM 786)	B,D,Z	8

71-11-32

 ILLUSTRATED PARTS LIST
 01.1 Page 1072T
 Jul 01/03

BOEING
 COMPONENT
 MAINTENANCE MANUAL

FIG. & ITEM	PART NO.	AIRLINE PART NUMBER	NOMENCLATURE 1234567	EFF CODE	QTY PER ASSY
01-787	NAS514P1032-16P		DELETED		
788	AN960XC10		..WASHER	A-D, J-P, Y-AB	8
790	AN960XC10		..WASHER	B,D,Z	8
792	BRH10C3		..NUT- (V52828) (SPEC BACN10JC3C) (OPT T6C1032J (V11815)) (OPT 97-02 (V80539)) (OPT 101LH9075-3W (V72962)) (OPT VN303B02 (V92215)) (OPT NS202101S02 (V80539)) (OPT H31-3BAC (V15653))	A-D, J-P, Y-AB	8
794	BRH10C3		..NUT- (V52828) (SPEC BACN10JC3C) (OPT T6C1032J (V11815)) (OPT 97-02 (V80539)) (OPT 101LH9075-3W (V72962)) (OPT VN303B02 (V92215)) (OPT NS202101S02 (V80539)) (OPT H31-3BAC (V15653))	B,D,Z	8

71-11-32

ILLUSTRATED PARTS LIST
 01.1 Page 1072U
 Jul 01/03

FIG. & ITEM	PART NO.	AIRLINE PART NUMBER	NOMENCLATURE 1234567	EFF CODE	QTY PER ASSY
01-796	315T3124-7		..SHIM- (LIMITED) (MFD FROM SH AIAI 301 7.9 X 7.9 X .100 PER MIL-S-5059) (USED WITH ITEMS 784A, 800)	A-D, J-P, Y-AB	2
798	315T3124-7		..SHIM- (LIMITED) (MFD FROM SH AIAI 301 7.9 X 7.9 X .100 PER MIL-S-5059) (USED WITH ITEMS 786A, 802)	B,D,Z	1
800	BOE2040		..SEAL- (REPLD BY ITEM 800A) (V16632) (SPEC S332T308-1) (BOE2040-0004 I/W BOE2040 AT SURGE BLEED PORT NO. 1) (BOE2040-0004 I/W BOE2040 TOGETHER WITH 3 EACH 315T3124-7 SHIMS AT SURGE BLEED PORT NO. 2) (BOE2040-0004 I/W BOE2040 TOGETHER WITH 2 EACH 315T3124-7 SHIMS AT SURGE BLEED PORT NO. 4)	A-D, J-P, Y-AB	1
-800A	BOE2040-0004		..SEAL- (REPLS ITEM 800) (V16632) (SPEC S332T308-4) (BOE2040-0004 I/W BOE2040 AT SURGE BLEED PORT NO. 1) (BOE2040-0004 I/W BOE2040 TOGETHER WITH 3 EACH 315T3124-7 SHIMS AT SURGE BLEED PORT NO. 2) (BOE2040-0004 I/W BOE2040 TOGETHER WITH 2 EACH 315T3124-7 SHIMS AT SURGE BLEED PORT NO. 4)	A-D, J-P, Y-AB	1

71-11-32

 ILLUSTRATED PARTS LIST
 01.1 Page 1072V
 Jul 01/03

BOEING
 COMPONENT
 MAINTENANCE MANUAL

FIG. & ITEM	PART NO.	AIRLINE PART NUMBER	NOMENCLATURE	EFF CODE	QTY PER ASSY
			1234567		
01-802	BOE2040		..SEAL- (REPLD BY ITEM 802A) (V16632) (SPEC S332T308-1) (BOE2040-0004 I/W BOE2040 AT SURGE BLEED PORT NO. 1) (BOE2040-0004 I/W BOE2040 TOGETHER WITH 3 EACH 315T3124-7 SHIMS AT SURGE BLEED PORT NO. 2) (BOE2040-0004 I/W BOE2040 TOGETHER WITH 2 EACH 315T3124-7 SHIMS AT SURGE BLEED PORT NO. 4)	B,D,Z	1
-802A	BOE2040-0004		..SEAL- (REPLS ITEM 802) (V16632) (SPEC S332T308-4) (BOE2040-0004 I/W BOE2040 AT SURGE BLEED PORT NO. 1) (BOE2040-0004 I/W BOE2040 TOGETHER WITH 3 EACH 315T3124-7 SHIMS AT SURGE BLEED PORT NO. 2) (BOE2040-0004 I/W BOE2040 TOGETHER WITH 2 EACH 315T3124-7 SHIMS AT SURGE BLEED PORT NO. 4)	B,D,Z	1

71-11-32

ILLUSTRATED PARTS LIST
 01.1 Page 1072W
 Jul 01/03

FIG. & ITEM	PART NO.	AIRLINE PART NUMBER	NOMENCLATURE 1234567	EFF CODE	QTY PER ASSY
R 01-804	HL11VAZ6-4		..BOLT- (V60516) (SPEC BACB30NW6K4) (OPT HL11V6-4 (V92215)) (OPT HL11V6-4 (V97928)) (OPT L803-6-4 (V06725)) (OPT B30NW6K4 (V97928)) (OPT HL11VAZ6-4 (V73197)) (OPT HL11VAZ6-4 (V92215)) (OPT HL11VAZ6-4 (V56878))	A-D, J-P, Y-AB	5
R 806	HL11VAZ6-4		..BOLT- (V60516) (SPEC BACB30NW6K4) (OPT HL11V6-4 (V92215)) (OPT HL11V6-4 (V97928)) (OPT L803-6-4 (V06725)) (OPT B30NW6K4 (V97928)) (OPT HL11VAZ6-4 (V73197)) (OPT HL11VAZ6-4 (V92215)) (OPT HL11VAZ6-4 (V56878))	B,D,Z	5

71-11-32

 ILLUSTRATED PARTS LIST
 01.1 Page 1072X
 Jul 01/03


BOEING
 COMPONENT
 MAINTENANCE MANUAL

FIG. & ITEM	PART NO.	AIRLINE PART NUMBER	NOMENCLATURE 1234567	EFF CODE	QTY PER ASSY
R 01-807 808	BACB30NW6K4 HL11VAZ6-3		DELETED ..BOLT- (V60516) (SPEC BACB30NW6K3) (OPT B30NW6K3 (V97928)) (OPT HL11VAZ6-3 (V73197)) (OPT HL11VAZ6-3 (V92215)) (OPT HL11VAZ6-3 (V97928)) (OPT L803-6K3 (V06725)) (OPT HL11VAZ6-3 (V0PTK6)) (OPT HL11VAZ6-3 (V56878))	A-D, J-P, Y-AB	12
R 810	HL11VAZ6-3		..BOLT- (V60516) (SPEC BACB30NW6K3) (OPT B30NW6K3 (V97928)) (OPT HL11VAZ6-3 (V73197)) (OPT HL11VAZ6-3 (V92215)) (OPT HL11VAZ6-3 (V97928)) (OPT L803-6K3 (V06725)) (OPT HL11VAZ6-3 (V0PTK6)) (OPT HL11VAZ6-3 (V56878))	B,D,Z	12
812 812A	BACC30AB6 HL97DU6		DELETED ..COLLAR- (V73197) (SPEC BACC30AB6S) (OPT HL97DU6 (V92215)) (OPT HL97DU6 (V56878))	A-D, J-P, Y-AB	17

71-11-32

ILLUSTRATED PARTS LIST

01.1 Page 1072Y

Jul 01/03

FIG. & ITEM	PART NO.	AIRLINE PART NUMBER	NOMENCLATURE 1234567	EFF CODE	QTY PER ASSY
01- 814 814A	BACC30AB6 HL97DU6		DELETED ..COLLAR- (V73197) (SPEC BACC30AB6S) (OPT HL97DU6 (V92215)) (OPT HL97DU6 (V56878))	B,D,Z	17
816	315T3123-37		..DUCT ASSY	A,C, J-P,Y ,AA,A B	1
818	315T3123-24		..DUCT ASSY	B,D,Z	1
-818A	315T3123-24		DELETED		
-818B	315T3123-37		DELETED		
820	315T3114-20		..DUCT ASSY	B,D,Z	1
821	315T3114-30		DELETED		
822	315T3126-1		.DUCT INSTL-INLET PRECOOLER (FOR DETAILS SEE FIG. 6)	B,D,Z	1
824	315T3100-57		.WALL ASSY-INNER DUCT	A,C, J-P	1
-824A	315T3100-43		.WALL ASSY-INNER DUCT	Y,AA, AB	1
-826	315T3100-58		.WALL ASSY-INNER DUCT	B,D	1
-826A	315T3100-44		.WALL ASSY-INNER DUCT	Z	1
-828	315T3100-5011		..WALL ASSY	A,C, J-P	1
-828A	315T3100-5001		..WALL ASSY- (LIMITED)	Y,AA, AB	1

71-11-32

 ILLUSTRATED PARTS LIST
 01.1 Page 1072Z
 Jul 01/03


BOEING
 COMPONENT
 MAINTENANCE MANUAL

FIG. & ITEM	PART NO.	AIRLINE PART NUMBER	NOMENCLATURE 1234567	EFF CODE	QTY PER ASSY
01- -828B	315T3100-5003		..WALL ASSY- (LIMITED)	Y,AA, AB	1
-830	315T3100-5012		..WALL ASSY	B,D	1
-830A	315T3100-5002		..WALL ASSY- (LIMITED)	Z	1
-830B	315T3100-5004		..WALL ASSY- (LIMITED)	Z	1
832	BACB30LL4-4		DELETED		
832A	BACB30VF4K5		...BOLT	Y-AB	2
-832B	BACB30VF4K4		...BOLT	A-D, J-P	2
834	BACR15CE3KE		...RIVET- (SIZE DETERMINE ON INST)	A-D, J-P, Y-AB	4
836	NS103190-048		...NUTPLATE- (V80539) (SPEC BACN10KE4A) (OPT F51750-4-1 (V15653)) (OPT RMF9212-4 (V72962)) (OPT BRFR220A4-1 (V52828))	A-D, J-P, Y-AB	2
837	BACB30NW6K		...BOLT- (SIZE DETERMINE ON INST)	A-D, J-P, Y-AB	6
837G	HL79-6		...COLLAR- (V5M902) (SPEC BACC30M6) (OPT HL79-6 (V73197)) (OPT HL79-6 (V92215)) (OPT 66014-6 (V56878)) (OPT HL79-6 (V56878))	A-D, J-P, Y-AB	6

71-11-32

ILLUSTRATED PARTS LIST

01.1

Page 1073

Jul 01/03

FIG. & ITEM	PART NO.	AIRLINE PART NUMBER	NOMENCLATURE 1234567	EFF CODE	QTY PER ASSY
01-838	BACN10KF3		DELETED		
838A	315T3554-2		...CATCH-COWL	A-D, J-P, Y-AB	1
840	315T3100-59		...STRIP-RUB (OPT ITEMS 842, 844)	A,C, J-P, Y-AB	1
842	315T3100-63		...STRIP-RUB (OPT ITEM 840) (USED WITH ITEM 844)	A,C, J-P, Y-AB	1
844	315T3100-65		...STRIP-RUB (OPT ITEM 840) (USED WITH ITEM 842)	A,C, J-P, Y-AB	1
-845	315T3100-3		...BOND ASSY-RIVET (USED ON ITEM 828A)	Y,AA, AB	1
-845A	315T3100-45		...BOND ASSY-RIVET (USED ON ITEM 828B)	Y,AA, AB	1
-845B	315T3100-75		...BOND ASSY-RIVET (USED ON ITEM 828)	A,C, J-P	1
-845G	315T3100-4		...BOND ASSY-RIVET (USED ON ITEM 830A)	Z	1
-845H	315T3100-46		...BOND ASSY-RIVET (USED ON ITEM 830B)	Z	1
-845J	315T3100-76		...BOND ASSY-RIVET (USED ON ITEM 830)	B,D	1
-846	315T3100-60		...STRIP-RUB (OPT ITEMS 848, 850)	B,D,Z	1
-848	315T3100-64		...STRIP-RUB (OPT ITEM 846) (USED WITH ITEM 850)	B,D,Z	1
-850	315T3100-66		...STRIP-RUB (OPT ITEM 846) (USED WITH ITEM 848)	B,D,Z	1

71-11-32

 ILLUSTRATED PARTS LIST
 01.1 Page 1074
 Jul 01/03


BOEING
 COMPONENT
 MAINTENANCE MANUAL

FIG. & ITEM	PART NO.	AIRLINE PART NUMBER	NOMENCLATURE 1234567	EFF CODE	QTY PER ASSY
01-851	315T3101-1		...PANEL ASSY-ACOUSTIC (USED ON ITEM 828A)	Y,AA, AB	1
-851A	315T3101-125		...PANEL ASSY-ACOUSTIC (USED ON ITEM 828B)	Y,AA, AB	1
-851B	315T3101-153		...PANEL ASSY-ACOUSTIC (USED ON ITEM 828)	A,C, J-P	1
-851G	315T3101-2		...PANEL ASSY-ACOUSTIC (USED ON ITEM 830A)	Z	1
-851H	315T3101-126		...PANEL ASSY-ACOUSTIC (USED ON ITEM 830B)	Z	1
-851J	315T3101-170		...PANEL ASSY-ACOUSTIC (USED ON ITEM 830)	B,D	1
852	315T3204-5		.RING ASSY- (OPT ITEM 666) (PRE SB 767-78A0089)	A,C, J-P,Y ,AA,A B	1
-852A	315T3204-21		.RING ASSY- (POST SB 767-78A0089) (FOR DETAILS SEE FIG. 12)	A,C, J-P,Y ,AA,A B	1
-854	315T3204-6		.RING ASSY- (OPT ITEM 668) (PRE SB 767-78A0089)	B,D,Z	1
-854A	315T3204-22		.RING ASSY- (PRE SB 767-78A0089) (FOR DETAILS SEE FIG. 12)	B,D,Z	1

71-11-32

 ILLUSTRATED PARTS LIST
 01.1 Page 1074A
 Jul 01/03

FIG. & ITEM	PART NO.	AIRLINE PART NUMBER	NOMENCLATURE 1234567	EFF CODE	QTY PER ASSY
01- -856	315T3204-5001		..RING ASSY- (LIMITED)	A,C, J-P,Y ,AA,A B	1
-856A	315T3204-5003		..RING ASSY- (LIMITED)	A,C, J-P,Y ,AA,A B	1
-856B	315T3204-5005		..RING ASSY- (LIMITED)	A,C, J-P,Y ,AA,A B	1
-856C	315T3204-5007		..RING ASSY- (LIMITED)	A,C, J-P,Y ,AA,A B	1
-856D	315T3204-5009		..RING ASSY- (LIMITED)	A,C, J-P,Y ,AA,A B	1
-858	315T3204-5002		..RING ASSY- (LIMITED)	B,D,Z	1
-858A	315T3204-5004		..RING ASSY- (LIMITED)	B,D,Z	1
-858B	315T3204-5006		..RING ASSY- (LIMITED)	B,D,Z	1
-858C	315T3204-5008		..RING ASSY- (LIMITED)	B,D,Z	1
-858D	315T3204-5010		..RING ASSY- (LIMITED)	B,D,Z	1

71-11-32

ILLUSTRATED PARTS LIST

01.1 Page 1074B

Jul 01/03


BOEING
 COMPONENT
 MAINTENANCE MANUAL

FIG. & ITEM	PART NO.	AIRLINE PART NUMBER	NOMENCLATURE 1234567	EFF CODE	QTY PER ASSY
01-860	BACR15CE6KE7		...RIVET- (PRE SB 767-78A0089)	A-D, J-P, Y-AB	4
-860A	MS90353-0603		...RIVET- (POST SB 767-78A0089)	A-D, J-P, Y-AB	4
862	315T3222-4		...BUSHING- (USED ON ITEMS 856, 856A, 856B, 856C, 858, 858A, 858B, 858C) (PRE SB 767-78A0089)	A-D, J-P, Y-AB	1
-862A	315T3222-5		...BUSHING- (USED ON ITEMS 856D, 858D) (PRE SB 767-78A0089)	A-D, J-P, Y-AB	1
863	315T3222-10		...BUSHING- (POST SB 767-78A0089)	A-D, J-P, Y-AB	1
864	HL13VAZ6-4		...BOLT- (V56878) (SPEC BACB30NY6K4) (OPT HL13VAZ6-4 (V73197)) (OPT HL13VAZ6-4 (V92215)) (OPT HL13VAZ6-4 (V97928)) (OPT L801-6K4 (V06725)) (OPT HL13VAZ6-4 (V08524)) (OPT HL13V4 (V06725)) (OPT HL13VAZ6-4 (V17446))	A-D, J-P, Y-AB	72

71-11-32

 ILLUSTRATED PARTS LIST
 01.1 Page 1074C
 Jul 01/03

FIG. & ITEM	PART NO.	AIRLINE PART NUMBER	NOMENCLATURE 1234567	EFF CODE	QTY PER ASSY
R 01-866	HL11VAZ6-3		...BOLT- (V60516) (SPEC BACB30NW6K3) (OPT B30NW6K3 (V97928)) (OPT HL11VAZ6-3 (V73197)) (OPT HL11VAZ6-3 (V92215)) (OPT HL11VAZ6-3 (V97928)) (OPT L803-6K3 (V06725)) (OPT HL11VAZ6-3 (V0PTK6)) (OPT HL11VAZ6-3 (V56878))	A-D, J-P, Y-AB	66
-868 868A	BACB30M6 HL79-6		DELETED ...COLLAR- (V5M902) (SPEC BACC30M6) (OPT HL79-6 (V73197)) (OPT HL79-6 (V92215)) (OPT 66014-6 (V56878)) (OPT HL79-6 (V56878))	A-D, J-P, Y-AB	138
870	315T3220-1		...STRIP-RUB	A-D, J-P, Y-AB	6
872	BACR15CE8KE20		...RIVET	A-D, J-P, Y-AB	5
874	BACR15CE8KE22		...RIVET	A-D, J-P, Y-AB	5
876	BACR15CE8KE17		...RIVET	A-D, J-P, Y-AB	5
878	BACR15CE8KE19		...RIVET	A-D, J-P, Y-AB	5

71-11-32

 ILLUSTRATED PARTS LIST
 01.1 Page 1074D
 Jul 01/03


BOEING
 COMPONENT
 MAINTENANCE MANUAL

FIG. & ITEM	PART NO.	AIRLINE PART NUMBER	NOMENCLATURE 1234567	EFF CODE	QTY PER ASSY
R 01-880	HL11VAZ6-5		...BOLT- (V60516) (SPEC BACB30NW6K5) (OPT HL11V6-5 (V92215)) (OPT HL11V6-5 (V97928)) (OPT L803-6-5 (V06725)) (OPT B30NW6K5 (V97928)) (OPT HL11VAZ6-5 (V73197)) (OPT HL11VAZ6-5 (V92215)) (OPT HL11VAZ6-5 (V56878))	A-D, J-P, Y-AB	4
882	HL10VAZ6-4		...BOLT- (V60516) (SPEC BACB30MY6K4) (OPT B30MY6K4 (V97928))	A-D, J-P, Y-AB	5
884	HL79-6		...COLLAR- (V5M902) (SPEC BACC30M6) (OPT HL79-6 (V73197)) (OPT HL79-6 (V92215)) (OPT 66014-6 (V56878)) (OPT HL79-6 (V56878))	A-D, J-P, Y-AB	9
886	BACS40R21B29F		...SHIM	A-D, J-P, Y-AB	AR
888	BACS40R22C65F		...SHIM	A-D, J-P, Y-AB	AR
890	BACS40R11B2833F		...SHIM	A-D, J-P, Y-AB	AR
892	BACS40R21B35F		...SHIM	A-D, J-P, Y-AB	AR

71-11-32

 ILLUSTRATED PARTS LIST
 01.1 Page 1074E
 Jul 01/03

FIG. & ITEM	PART NO.	AIRLINE PART NUMBER	NOMENCLATURE 1234567	EFF CODE	QTY PER ASSY
01-894	BACS40R22C58F		...SHIM	A-D, J-P, Y-AB	AR
896	BACS40R11B28F		...SHIM	A-D, J-P, Y-AB	AR
898	315T3216-3		...FITTING- (USED ON ITEMS 856, 856A, 856B)	A,C, J-P,Y ,AA,A B	1
-898A	315T3216-7		...FITTING- (USED ON ITEMS 856C, 856D)	A,C, J-P,Y ,AA,A B	1
-900	315T3216-4		...FITTING- (USED ON ITEMS 858, 858A, 858B)	B,D,Z	1
-900A	315T3216-8		...FITTING- (USED ON ITEMS 858C, 858D)	B,D,Z	1
902	315T3203-3		...FITTING	A,C, J-P,Y ,AA,A B	1
-904	315T3203-4		...FITTING	B,D,Z	1
-906	315T3100-77		DELETED		
-908	315T3100-78		DELETED		
910	315T3578-1		.SIGNAL INSTL-LATCH	Z	1
912	NAS509-4C		..NUT	Z	2
914	AN960C416L		..WASHER	Z	1

71-11-32

 ILLUSTRATED PARTS LIST
 01.1 Page 1074F
 Jul 01/03


BOEING
 COMPONENT
 MAINTENANCE MANUAL

FIG. & ITEM	PART NO.	AIRLINE PART NUMBER	NOMENCLATURE 1234567	EFF CODE	QTY PER ASSY
01-					
916	315T1452-2		..ROD	Z	1
918	315T3577-1		..SPRING	Z	1
920	315T1450-2		..FILLER	Z	1
922	315T1451-2		..HANDLE ASSY	Z	1
924	MS20427M5		...RIVET- (SIZE DETERMINE ON INST)	Z	2
926	MS20427M4		...RIVET- (SIZE DETERMINE ON INST)	Z	2
928	315T1451-5		...BRACKET	Z	1
930	315T1451-4		...HANDLE	Z	1
932	315T1451-3		...FILLER	Z	1

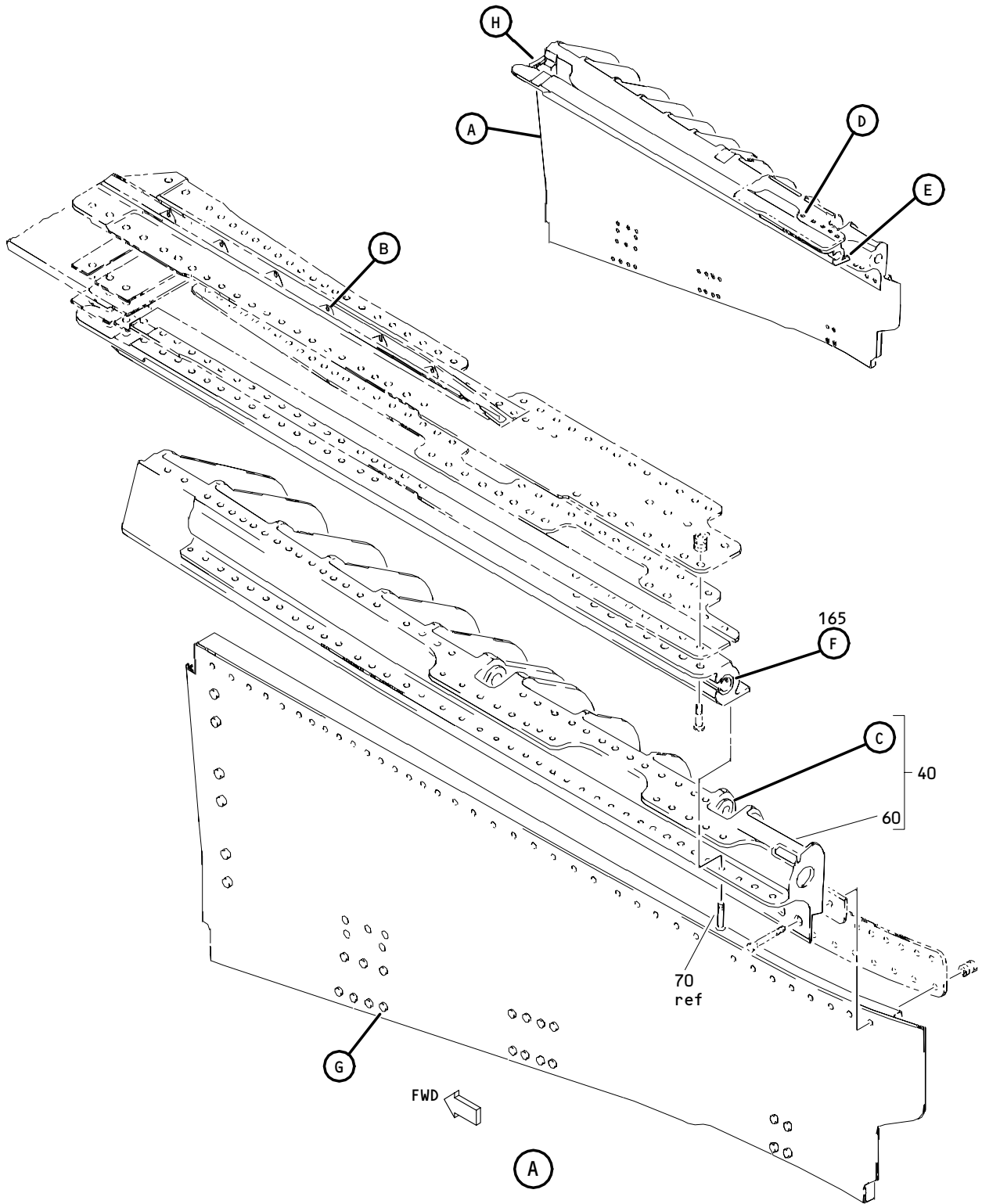
- Item Not Illustrated

71-11-32

ILLUSTRATED PARTS LIST

01.1 Page 1074G

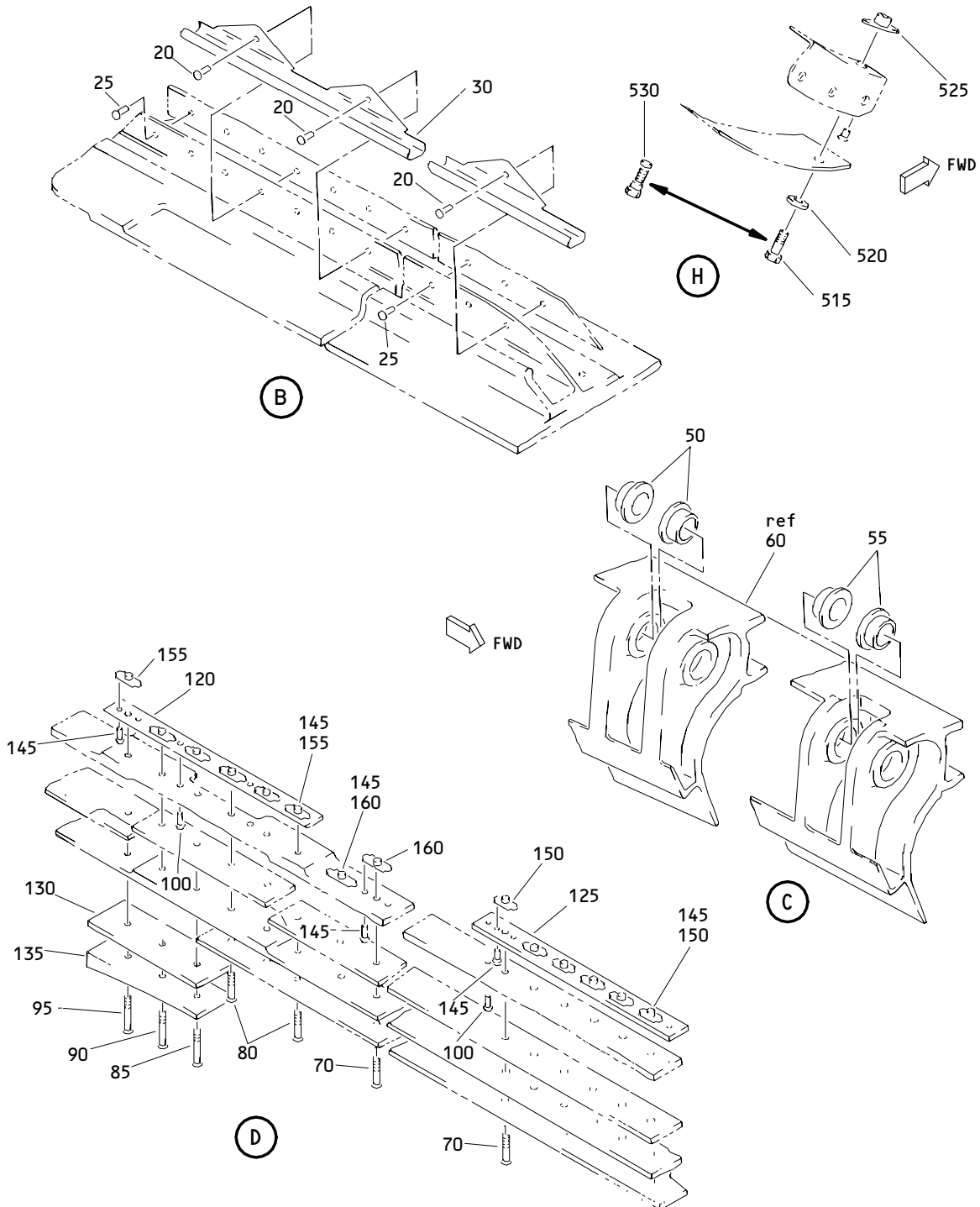
Jul 01/03



Engine Outboard and Inboard Side Fan Duct Upper Bifurcation Installation
Figure 2 (Sheet 1)

71-11-32

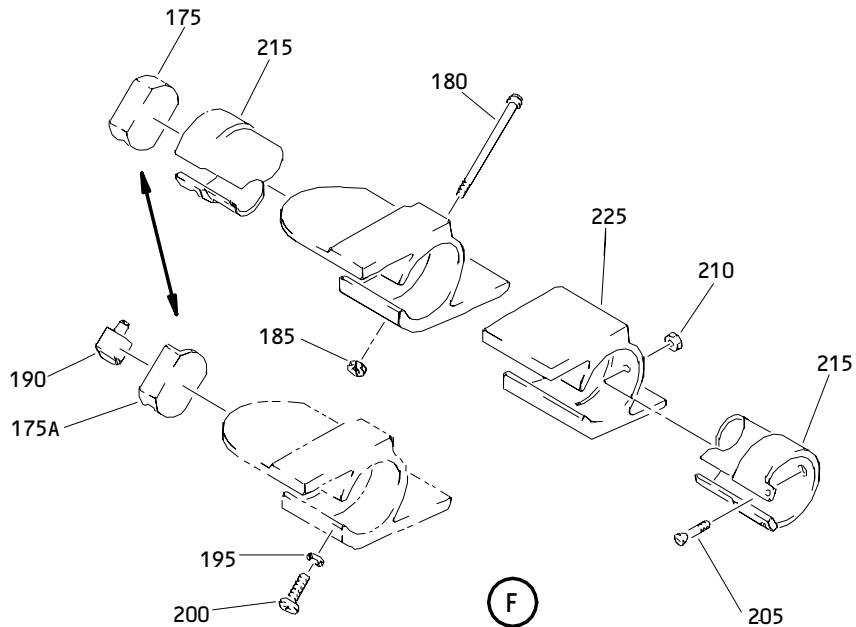
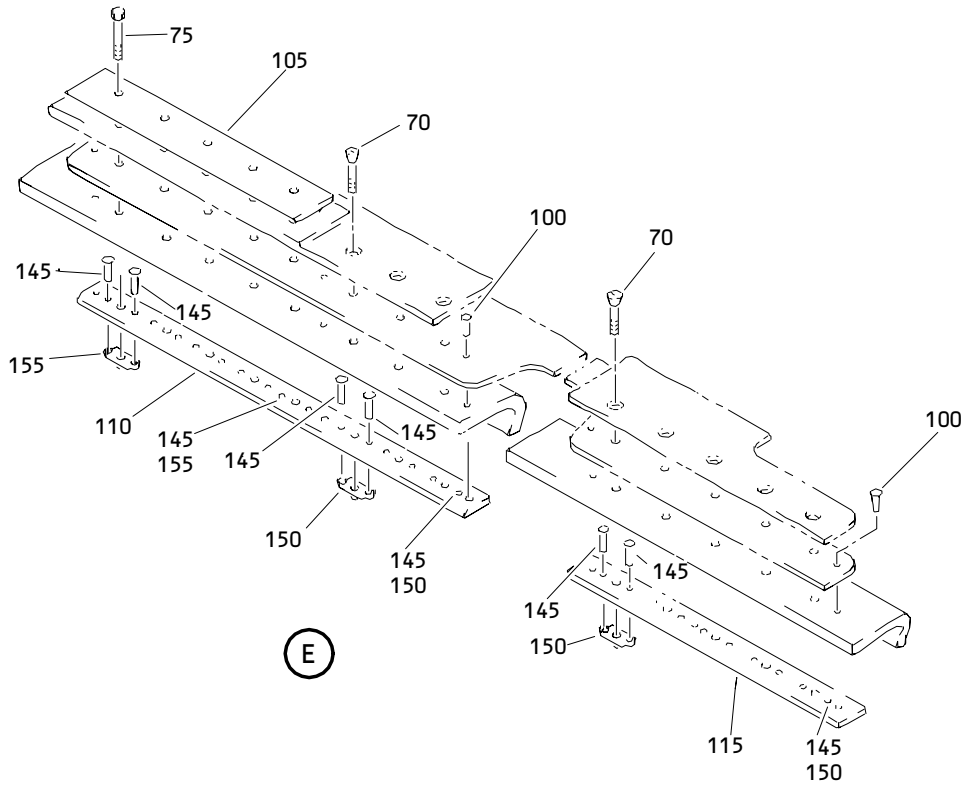
ILLUSTRATED PARTS LIST
01.1 Page 1074I
Jul 01/03



Engine Outboard and Inboard Side Fan Duct Upper Bifurcation Installation
 Figure 2 (Sheet 2)

71-11-32

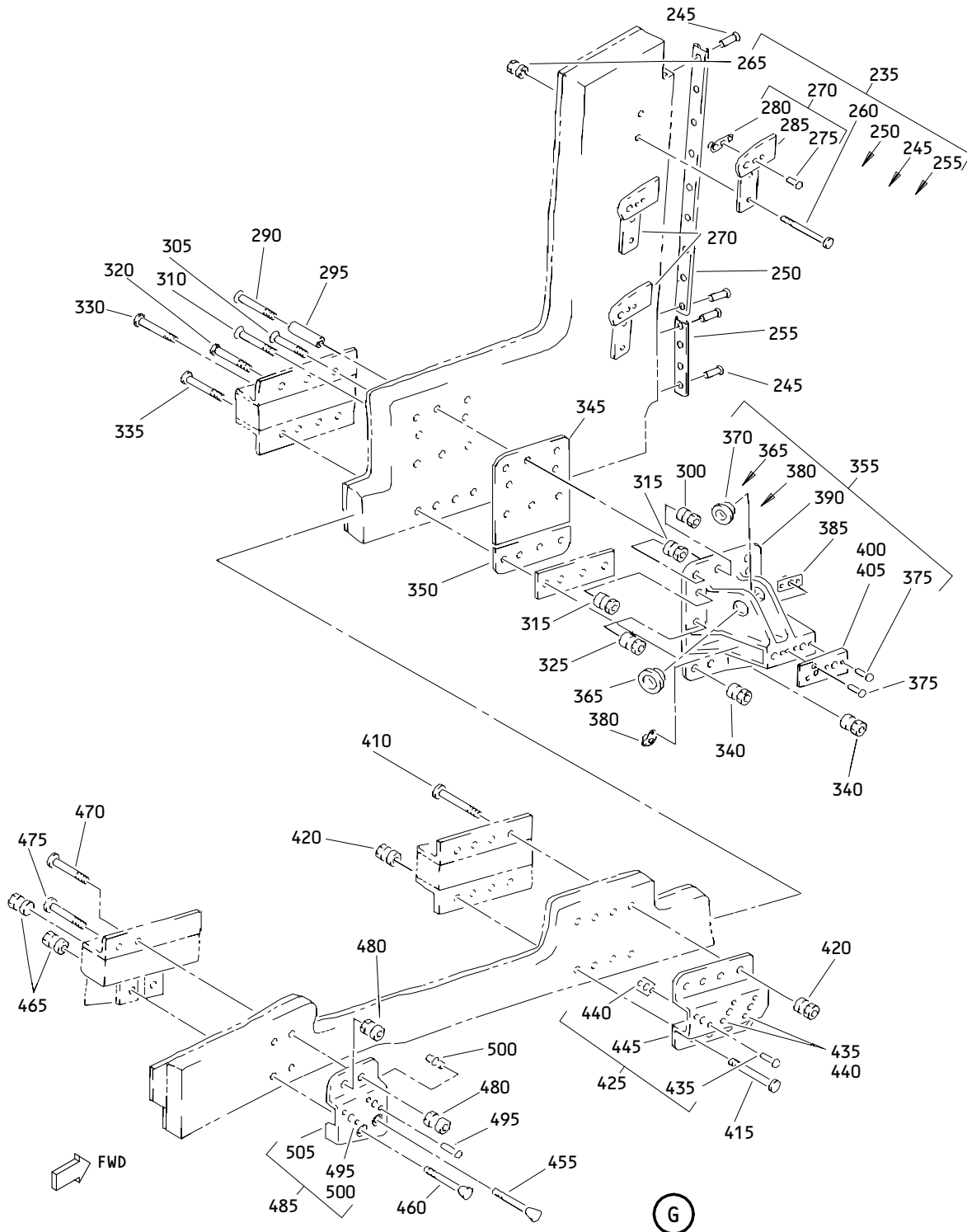
ILLUSTRATED PARTS LIST
 01.1 Page 1074J
 Jul 01/03



Engine Outboard and Inboard Side Fan Duct Upper Bifurcation Installation
 Figure 2 (Sheet 3)

71-11-32

ILLUSTRATED PARTS LIST
 01.1 Page 1074K
 Jul 01/03



Engine Outboard and Inboard Side Fan Duct Upper Bifurcation Installation
 Figure 2 (Sheet 4)

71-11-32

ILLUSTRATED PARTS LIST
 01.1 Page 1074L
 Jul 01/03


BOEING
 COMPONENT
 MAINTENANCE MANUAL

FIG. & ITEM	PART NO.	AIRLINE PART NUMBER	NOMENCLATURE 1234567	EFF CODE	QTY PER ASSY
02- -1	315T3300-1		BIFURCATION INSTL-ENG OUTBD AND INBD SIDE FAN DUCT UPR	A,C,E ,G, J-P,Y ,AA,A B	RF
-5	315T3300-2		BIFURCATION INSTL-ENG OUTBD AND INBD SIDE FAN DUCT UPR	B,D,F ,H,Z, AC,AD	RF
-10	315T3300-5001		.BIFURCATION INSTL- (LIMITED)	A,C,E ,G, J-P,Y ,AA,A B	1
-10A	315T3300-5003		.BIFURCATION INSTL- (LIMITED)	A,C,E ,G, J-P,Y ,AA,A B	1
-10B	315T3300-5005		.BIFURCATION INSTL- (LIMITED)	A,C,E ,G, J-P,Y ,AA,A B	1
-10C	315T3300-5009		.BIFURCATION INSTL- (LIMITED)	A,C,E ,G, J-P,Y ,AA,A B	1
-10D	315T3300-5019		.BIFURCATION INSTL- (LIMITED)	A,C,E ,G, J-P,Y ,AA,A B	1
-10E	315T3300-5021		DELETED		
-10F	315T3300-5023		.BIFURCATION INSTL- (LIMITED)	A,C,E ,G, J-P,Y ,AA,A B	1

71-11-32

ILLUSTRATED PARTS LIST

01.1 Page 1074M

Jul 01/03

FIG. & ITEM	PART NO.	AIRLINE PART NUMBER	NOMENCLATURE 1234567	EFF CODE	QTY PER ASSY
02- -15	315T3300-5002		.BIFURCATION INSTL- (LIMITED)	B,D,F ,H,Z, AC,AD	1
-15A	315T3300-5004		.BIFURCATION INSTL- (LIMITED)	B,D,F ,H,Z, AC,AD	1
-15B	315T3300-5006		.BIFURCATION INSTL- (LIMITED)	B,D,F ,H,Z, AC,AD	1
-15C	315T3300-5010		.BIFURCATION INSTL- (LIMITED)	B,D,F ,H,Z, AC,AD	1
-15D	315T3300-5020		.BIFURCATION INSTL- (LIMITED)	B,D,F ,H,Z, AC,AD	1
-15E	315T3300-5022		DELETED		
-15F	315T3300-5024		.BIFURCATION INSTL- (LIMITED)	B,D,F ,H,Z, AC,AD	1
20	MS20615-5MP		..RIVET- (SIZE DETERMINE ON INST)		6
25	BACR15FT5KE		..RIVET- (SIZE DETERMINE ON INST)		13
30	315T3406-3		..LINER-AUX TRACK	A,C,E ,G, J-P,Y ,AA,A B	1
-35	315T3406-4		..LINER-AUX TRACK	B,D,F ,H,Z, AC,AD	1
40	315T3303-9		..FITTING ASSY-HINGE (USED ON ITEMS 10, 10A, 10B, 10C)	A,C,E ,G, J-P,Y ,AA,A B	1

71-11-32

 ILLUSTRATED PARTS LIST
 01.1 Page 1074N
 Jul 01/03

BOEING
 COMPONENT
 MAINTENANCE MANUAL

FIG. & ITEM	PART NO.	AIRLINE PART NUMBER	NOMENCLATURE 1234567	EFF CODE	QTY PER ASSY
02- -42	315T3303-13		..FITTING ASSY-HINGE (LIMITED) (USED ON ITEM 10F)	A,C,E ,G, J-P,Y ,AA,A B	1
-42A	315T3303-17		..FITTING ASSY-HINGE (LIMITED) (USED ON ITEM 10D)	A,C,E ,G, J-P,Y ,AA,A B	1
-42B	315T3303-17		DELETED		
-45	315T3303-10		..FITTING ASSY-HINGE (USED ON ITEMS 15, 15A, 15B, 15C)	B,D,F ,H,Z, AC,AD	1
-47	315T3303-14		..FITTING ASSY-HINGE (LIMITED) (USED ON ITEM 15F)	B,D,F ,H,Z, AC,AD	1
-47A	315T3303-18		..FITTING ASSY-HINGE (LIMITED) (USED ON ITEM 15D)	B,D,F ,H,Z, AC,AD	1
-47B	315T3303-18		DELETED		
50	BACB28W12B042		...BUSHING		2
55	BACB28W12B076		...BUSHING		2
60	315T3303-11		...FITTING- (USED ON ITEM 40)	A,C,E ,G, J-P,Y ,AA,A B	1
-62	315T3303-15		...FITTING- (USED ON ITEM 42)	A,C,E ,G, J-P,Y ,AA,A B	1
-62A	315T3303-19		...FITTING- (USED ON ITEMS 42A)	A,C,E ,G, J-P,Y ,AA,A B	1

71-11-32

ILLUSTRATED PARTS LIST
 01.1 Page 10740
 Jul 01/03

FIG. & ITEM	PART NO.	AIRLINE PART NUMBER	NOMENCLATURE 1234567	EFF CODE	QTY PER ASSY
02- -65	315T3303-12		...FITTING- (USED ON ITEM 45)	B,D,F ,H,Z, AC,AD	1
-67	315T3303-16		...FITTING- (USED ON ITEM 47)	B,D,F ,H,Z, AC,AD	1
-67A	315T3303-16		DELETED		
-67B	315T3303-20		...FITTING- (USED ON ITEMS 47A)	B,D,F ,H,Z, AC,AD	1
70	BACB30NU3K8		..BOLT		16
75	BACB30NR4K10		..BOLT		5
80	BACB30NU4K10		..BOLT		3
85	BACB30NU4K11		..BOLT		1
90	BACB30NU4K12		..BOLT		1
95	BACB30NU4K14		..BOLT		1
100	BACR15BA3AD		..RIVET- (SIZE DETERMINE ON INST)		10
105	315T3300-6		..FILLER-RADIUS		1
110	315T3300-5		..FILLER-RADIUS		1
115	BACF3F007G063NN		..FILLER		1
120	315T3300-11		..FILLER-RADIUS		1
125	BACF3F008G062NN		..FILLER		1
130	BACS40R12C35F		..SHIM		1
135	315T3537-1		..FILLER-TAPERED	A,C,E ,G, J-P,Y ,AA,A B	1
-140	315T3537-2		..FILLER-TAPERED	B,D,F ,H,Z, AC,AD	1
145	BACR15BA3AD		..RIVET- (SIZE DETERMINE ON INST)		54

71-11-32

 ILLUSTRATED PARTS LIST
 01.1 Page 1074P
 Jul 01/03

BOEING
 COMPONENT
 MAINTENANCE MANUAL

FIG. & ITEM	PART NO.	AIRLINE PART NUMBER	NOMENCLATURE 1234567	EFF CODE	QTY PER ASSY
02-150	BRFM20C3M		..NUTPLATE- (V52828) (SPEC BACN10JN3CM) (OPT MF1001-3BAC (V15653)) (OPT NS103218SE02 (V80539)) (OPT VN252D02 (V92215)) (OPT 109F9201M3 (V72962)) (OPT T8125C3C (V11815)) (OPT 109F9201M3 (V72962)) (OPT MF53050-3DL (V15653))		14
155	BRFM20C4M		..NUTPLATE- (V52828) (SPEC BACN10JN4CM) (OPT MF1001-4BAC (V15653)) (OPT NS103218SE048 (V80539)) (OPT VN252D048 (V92215)) (OPT 109F9201M4 (V72962)) (OPT T8125C4C (V11815)) (OPT T8125C4C (V11815))		11
160	BRF200C3M		..NUTPLATE- (V52828) (SPEC BACN10JR3CFM) (OPT F5001-3BAC (V15653)) (OPT NS103203SE02 (V80539)) (OPT T8092C1032 (V11815)) (OPT VN152D1-02 (V92215)) (OPT 109F9201-3 (V72962))		2

71-11-32

ILLUSTRATED PARTS LIST
 01.1 Page 1074Q
 Jul 01/03

FIG. & ITEM	PART NO.	AIRLINE PART NUMBER	NOMENCLATURE 1234567	EFF CODE	QTY PER ASSY
02-165	315T3302-1		..TRACK ASSY-UPR (USED ON ITEMS 10, 10B)	A,C,E ,G, J-P,Y ,AA,A B	1
-165A	315T3302-5		..TRACK ASSY-UPR (USED ON ITEMS 10A, 10C, 10D, 10F)	A,C,E ,G, J-P,Y ,AA,A B	1
-165B	315T3302-9		DELETED		
-170	315T3302-2		..TRACK ASSY-UPR (USED ON ITEMS 15, 15B)	B,D,F ,H,Z, AC,AD	1
-170A	315T3302-6		..TRACK ASSY-UPR (USED ON ITEMS 15A, 15C, 15D, 15F)	B,D,F ,H,Z, AC,AD	1
-170B	315T3302-10		DELETED		
175	315T3317-1		...RETAINER-LINER (ITEMS 175, 180 AND 185 OPT TO ITEMS 175A, 190 AND 200)		1
175A	315T3257-1		...RETAINER-PIN (ITEMS 175, 180 AND 185 OPT TO ITEMS 175A, 190 AND 200)		1
180	NAS623-3-26		...SCREW- (ITEMS 175, 180 AND 185 OPT TO ITEMS 175A, 190 AND 200)		1

71-11-32

 ILLUSTRATED PARTS LIST
 01.1 Page 1074R
 Jul 01/03


BOEING
 COMPONENT
 MAINTENANCE MANUAL

FIG. & ITEM	PART NO.	AIRLINE PART NUMBER	NOMENCLATURE 1234567	EFF CODE	QTY PER ASSY
02-185	H10-3BAC		...NUT- (V15653) (SPEC BACN10JC3) (OPT NS202101-02 (V80539)) (OPT RMLH9075-3W (V72962)) (OPT T6S1032J (V71087)) (OPT VN303A02 (V92215)) (OPT 96-02 (V80539)) (OPT BRH10A3 (V52828)) (ITEMS 175, 180, AND 185 OPT TO ITEMS 175A, 190 AND 200)		1
190	315T3257-2		...PIN- (ITEMS 175, 180, AND 185 OPT TO ITEMS 175A, 190 AND 200)		1
195	AN960PD10L		...WASHER		1
200	NAS6703H12		...BOLT- (ITEMS 175, 180 AND 185 OPT TO ITEMS 175A, 190 AND 200)		1
205	BACB30LL3-3		...BOLT		1
210	H10-3BAC		...NUT- (V15653) (SPEC BACN10JC3) (OPT NS202101-02 (V80539)) (OPT RMLH9075-3W (V72962)) (OPT T6S1032J (V71087)) (OPT VN303A02 (V92215)) (OPT 96-02 (V80539)) (OPT BRH10A3 (V52828))		1

71-11-32

ILLUSTRATED PARTS LIST

01.1 Page 1074S

Jul 01/03

FIG. & ITEM	PART NO.	AIRLINE PART NUMBER	NOMENCLATURE 1234567	EFF CODE	QTY PER ASSY
02-215	315T3415-8		...LINER	A,C,E ,G, J-P,Y ,AA,A B	1
-215A	315T3415-3		DELETED		
-215B	315T3415-8		DELETED		
-220	315T3415-9		...LINER	B,D,F ,H,Z, AC,AD	1
-220A	315T3415-3		DELETED		
-220B	315T3415-9		DELETED		
225	315T3302-3		...TRACK- (USED ON ITEM 165)	A,C,E ,G, J-P,Y ,AA,A B	1
-225A	315T3302-7		...TRACK- (USED ON ITEM 165A)	A,C,E ,G, J-P,Y ,AA,A B	1
-225B	315T3302-11		DELETED		
-230	315T3302-4		...TRACK- (USED ON ITEM 175)	B,D,F ,H,Z, AC,AD	1
-230A	315T3302-8		...TRACK- (USED ON ITEM 175A)	B,D,F ,H,Z, AC,AD	1
-230B	315T3302-12		DELETED		

71-11-32

 ILLUSTRATED PARTS LIST
 01.1 Page 1074T
 Jul 01/03


BOEING
 COMPONENT
 MAINTENANCE MANUAL

FIG. & ITEM	PART NO.	AIRLINE PART NUMBER	NOMENCLATURE 1234567	EFF CODE	QTY PER ASSY
02-235	315T3301-69		..PANEL ASSY-WALL (OPT ITEM 235A)	A,C,E ,G, J-P,Y ,AA,A B	1
-235A	315T3301-65		..PANEL ASSY-WALL (OPT ITEM 235)	A,C,E ,G, J-P,Y ,AA,A B	1
-240	315T3301-66		..PANEL ASSY-WALL (OPT ITEM 240A)	B,D,F ,H,Z, AC,AD	1
-240A	315T3301-70		..PANEL ASSY-WALL (OPT ITEM 240)	B,D,F ,H,Z, AC,AD	1
245	BACR15BB3AD		...RIVET- (SIZE DETERMINE ON INST)		13
250	315T3301-45		...RETAINER		1
255	315T3301-60		...RETAINER		1
R 260	HL11VAZ5-19		...BOLT- (V60516) (SPEC BACB30NW5K19) (OPT B30NW5K19 (V97928)) (OPT HL11VAZ5-19 (V73197)) (OPT HL11VAZ5-19 (V92215)) (OPT HL11VAZ5-19 (V97928)) (OPT L803-5K19 (V06725)) (OPT HL11VAZ5-19 (V0PTK6)) (OPT HL11VAZ5-19 (V56878))		6

71-11-32

 ILLUSTRATED PARTS LIST
 01.1 Page 1074U
 Jul 01/03

FIG. & ITEM	PART NO.	AIRLINE PART NUMBER	NOMENCLATURE 1234567	EFF CODE	QTY PER ASSY
02-265	HL79-5		...COLLAR- (V5M902) (SPEC BACC30M5) (OPT HL70-5 (V73197)) (OPT HL70-5 (V92215)) (OPT 66014-5 (V56878)) (OPT HL70-5 (V56878))		6
270	315T3130-10		...BRACKET ASSY	A,C,E ,G, J-P,Y ,AA,A B	3
275	BACR15CE3M	RIVET- (SIZE DETERMINE ON INST)	A,C,E ,G, J-P,Y ,AA,A B	2
280	BRM100C3M	NUTPLATE- (V52828) (SPEC BACN10JP3BCM) (OPT MK2001-3BAC (V15653)) (OPT NS103198SE02 (V80539)) (OPT T8081C1032 (V11815)) (OPT VN201D1-02 (V92215)) (OPT 109A9207M3 (V72962))	A,C,E ,G, J-P,Y ,AA,A B	1
285	315T3130-9	BRACKET	A,C,E ,G, J-P,Y ,AA,A B	1
290	ASPF8DT8-20		..PIN- (V29666)		1
295	ASPF8DT8		..SLEEVE- (V29666)		1
300	ASPLC2AC8		..COLLAR- (V29666)		1

71-11-32

 ILLUSTRATED PARTS LIST
 01.1 Page 1074V
 Jul 01/03

 **BOEING**
 COMPONENT
 MAINTENANCE MANUAL

FIG. & ITEM	PART NO.	AIRLINE PART NUMBER	NOMENCLATURE 1234567	EFF CODE	QTY PER ASSY
02-305	HL13VAZ8-20		..BOLT- (V56878) (SPEC BACB30NY8K20) (OPT HL13VAZ8-20 (V73197)) (OPT HL13VAZ8-20 (V92215)) (OPT HL13VAZ8-20 (V97928)) (OPT L801-8K20 (V06725)) (OPT HL13VAZ8-20 (V08524)) (OPT HL13V20 (V06725)) (OPT HL13VAZ8-20 (V17446))		2
310	HL13VAZ8-21		..BOLT- (V56878) (SPEC BACB30NY8K21) (OPT HL13VAZ8-21 (V73197)) (OPT HL13VAZ8-21 (V92215)) (OPT HL13VAZ8-21 (V97928)) (OPT L801-8K21 (V06725)) (OPT HL13VAZ8-21 (V08524)) (OPT HL13V21 (V06725)) (OPT HL13VAZ8-21 (V17446))		2
315	HL79-8		..COLLAR- (V5M902) (SPEC BACC30M8) (OPT HL79-8 (V73197)) (OPT HL79-8 (V92215)) (OPT 66014-8 (V56878)) (OPT HL79-8 (V56878))		4

71-11-32

ILLUSTRATED PARTS LIST
 01.1 Page 1074W
 Jul 01/03

FIG. & ITEM	PART NO.	AIRLINE PART NUMBER	NOMENCLATURE 1234567	EFF CODE	QTY PER ASSY
02-320	HL1012AZ8-23		..BOLT- (VOPTK6) (SPEC BACB30NX8K23) (OPT HL12VAZ8-23 (V73197)) (OPT HL12VAZ8-23 (V92215)) (OPT HL12VAZ8-23 (V97928)) (OPT L802-8K23 (V06725)) (OPT HL12VAZ8-23 (V56878)) (OPT HL1012AZ8-23 (V06725)) (OPT HL1012AZ8-23 (V06950)) (OPT HL1012AZ8-23 (V17446)) (OPT HL1012AZ8-23 (V56878)) (OPT HL1012AZ8-23 (V60516)) (OPT HL1012AZ8-23 (V73197)) (OPT HL1012AZ8-23 (V97928))		3
325	HL1187DUW8		..COLLAR- (V5M902) (SPEC BACC30X8SW) (OPT HL87DUW8 (V73197)) (OPT HL87DUW8 (V92215)) (OPT HL1187DUW8 (V56878)) (OPT HL1187DUW8 (V92215)) (OPT HL87DUW8 (V56878)) (OPT HL1187DUW8 (V73197))		3

71-11-32

 ILLUSTRATED PARTS LIST
 01.1 Page 1074X
 Jul 01/03


BOEING
 COMPONENT
 MAINTENANCE MANUAL

FIG. & ITEM	PART NO.	AIRLINE PART NUMBER	NOMENCLATURE 1234567	EFF CODE	QTY PER ASSY
02-330	HL10VAZ6-23		..BOLT- (V60516) (SPEC BACB30MY6K23) (OPT B30MY6K23 (V97928))		2
335	HL10VAZ6-22		..BOLT- (V60516) (SPEC BACB30MY6K22) (OPT B30MY6K22 (V97928))		2
340	HL79-6		..COLLAR- (V5M902) (SPEC BACC30M6) (OPT HL79-6 (V73197)) (OPT HL79-6 (V92215)) (OPT 66014-6 (V56878)) (OPT HL79-6 (V56878))		4
345	BACS40R37C46F		..SHIM- (USED ON ITEMS 10B, 15B)		1
-345A	315T3300-12		..SHIM- (USED ON ITEMS 10, 10A, 10C, 10F, 15, 15A, 15C, 15F)		1
350	BACS40R10C38F		..SHIM- (USED ON ITEMS 10B, 15B)		1
-350A	315T3300-13		..SHIM- (USED ON ITEMS 10, 10A, 10C, 10F, 15, 15A, 15C, 15F)		1

71-11-32

 ILLUSTRATED PARTS LIST
 01.1 Page 1074Y
 Jul 01/03

FIG. & ITEM	PART NO.	AIRLINE PART NUMBER	NOMENCLATURE 1234567	EFF CODE	QTY PER ASSY
02-355	315T3308-25		..ATTACH ASSY-ACTR (USED ON ITEM 10B)	A,C,E ,G, J-P,Y ,AA,A B	1
-355A	315T3308-33		..ATTACH ASSY-ACTR (USED ON ITEMS 10, 10A, 10C, 10D, 10F)	A,C,E ,G, J-P,Y ,AA,A B	1
-360	315T3308-26		..ATTACH ASSY-ACTR (USED ON ITEM 15B)	B,D,F ,H,Z, AC,AD	1
-360A	315T3308-34		..ATTACH ASSY-ACTR (USED ON ITEMS 15, 15A, 15C, 15D, 15F)	B,D,F ,H,Z, AC,AD	1
365	BACB28AM09B021A		...BUSHING		1
370	BACB28AP06P021		...BUSHING		1
375	BACR15BA3AD		...RIVET- (SIZE DETERMINE ON INST)		4
380	BRM300C08M		...NUTPLATE- (V52828) (SPEC BACN10JP08CCM) (OPT MK3001-08BAC (V15653)) (OPT NS103199SE82 (V80539)) (OPT T8082C832 (V11815)) (OPT VN203D1-82 (V92215)) (OPT 109A9205M82 (V72962))		1

71-11-32

 ILLUSTRATED PARTS LIST
 01.1 Page 1074Z
 Jul 01/03


BOEING
 COMPONENT
 MAINTENANCE MANUAL

FIG. & ITEM	PART NO.	AIRLINE PART NUMBER	NOMENCLATURE 1234567	EFF CODE	QTY PER ASSY
02-385	109F9201M82		...NUTPLATE- (V72962) (SPEC BACN10JN08CM) (OPT BRFM20C08M (V52828)) (OPT MF1001-08BAC (V15653)) (OPT NS103218SE82 (V80539)) (OPT VN252D82 (V92215)) (OPT 109F9201M82 (V72962)) (OPT T8125C08C (V11815))		1
390	315T3308-27		...PAD- (USED ON ITEM 355)	A,C,E ,G, J-P,Y ,AA,A B	1
-390A	315T3308-23		...PAD- (USED ON ITEM 355A)	A,C,E ,G, J-P,Y ,AA,A B	1
-395	315T3308-28		...PAD- (USED ON ITEM 360)	B,D,F ,H,Z, AC,AD	1
-395A	315T3308-24		...PAD- (USED ON ITEM 360A)	B,D,F ,H,Z, AC,AD	1
400	315T3308-29		...SHIM- (USED ON ITEMS 355, 360)		1
-400A	315T3308-35		...SHIM- (USED ON ITEMS 355A, 360A)		1

71-11-32

ILLUSTRATED PARTS LIST

01.1

Page 1075

Jul 01/03

FIG. & ITEM	PART NO.	AIRLINE PART NUMBER	NOMENCLATURE 1234567	EFF CODE	QTY PER ASSY
02-405	315T3308-31		...FILLER-RADIUS (USED ON ITEMS 355, 355A)	A,C,E ,G, J-P,Y ,AA,A B	1
-405A	315T3308-32		...FILLER-RADIUS (USED ON ITEMS 360, 360A)	B,D,F ,H,Z, AC,AD	1
410	HL10VAZ6-20		..BOLT- (V60516) (SPEC BACB30MY6K20) (OPT B30MY6K20 (V97928))		4
415	HL10VAZ6-21		..BOLT- (V60516) (SPEC BACB30MY6K21) (OPT B30MY6K21 (V97928))		4
420	HL79-6		..COLLAR- (V5M902) (SPEC BACC30M6) (OPT HL79-6 (V73197)) (OPT HL79-6 (V92215)) (OPT 66014-6 (V56878)) (OPT HL79-6 (V56878))		8
425	315T3310-5		..PAD ASSY-CPRSN	A,C,E ,G, J-P,Y ,AA,A B	1
-430	315T3310-6		..PAD ASSY-CPRSN	B,D,F ,H,Z, AC,AD	1
435	BACR15BA3AD		...RIVET- (SIZE DETERMINE ON INST)		6

71-11-32

 ILLUSTRATED PARTS LIST
 01.1 Page 1076
 Jul 01/03


BOEING
 COMPONENT
 MAINTENANCE MANUAL

FIG. & ITEM	PART NO.	AIRLINE PART NUMBER	NOMENCLATURE 1234567	EFF CODE	QTY PER ASSY
02-440	109F9201M82		...NUTPLATE- (V72962) (SPEC BACN10JN08CM) (OPT BRFM20C08M (V52828)) (OPT MF1001-08BAC (V15653)) (OPT NS103218SE82 (V80539)) (OPT VN252D82 (V92215)) (OPT 109F9201M82 (V72962)) (OPT T8125C08C (V11815))		3
445	315T3310-7		...PAD	A,C,E ,G, J-P,Y ,AA,A B	1
-450	315T3310-8		...PAD	B,D,F ,H,Z, AC,AD	1
455	HL13VAZ6-22		..BOLT- (V56878) (SPEC BACB30NY6K22) (OPT HL13VAZ6-22 (V73197)) (OPT HL13VAZ6-22 (V92215)) (OPT HL13VAZ6-22 (V97928)) (OPT L801-6K22 (V06725)) (OPT HL13VAZ6-22 (V08524)) (OPT HL13V22 (V06725)) (OPT HL13VAZ6-22 (V17446))		1

71-11-32

ILLUSTRATED PARTS LIST

01.1 Page 1076A

Jul 01/03

FIG. & ITEM	PART NO.	AIRLINE PART NUMBER	NOMENCLATURE 1234567	EFF CODE	QTY PER ASSY
02-460	HL13VAZ6-21		..BOLT- (V56878) (SPEC BACB30NY6K21) (OPT HL13VAZ6-21 (V73197)) (OPT HL13VAZ6-21 (V92215)) (OPT HL13VAZ6-21 (V97928)) (OPT L801-6K21 (V06725)) (OPT HL13VAZ6-21 (V08524)) (OPT HL13V21 (V06725)) (OPT HL13VAZ6-21 (V17446))		1
465	HL1187DUW6		..COLLAR- (V5M902) (SPEC BACC30X6SW) (OPT HL87DUW6 (V73197)) (OPT HL87DUW6 (V92215)) (OPT HL1187DUW6 (V56878)) (OPT HL1187DUW6 (V92215)) (OPT HL87DUW6 (V56878)) (OPT HL1187DUW6 (V73197))		2
470	HL10VAZ6-16		..BOLT- (V60516) (SPEC BACB30MY6K16) (OPT B30MY6K16 (V97928))		1
475	L8006-15		..BOLT- (V06725) (SPEC BACB30MY6K15) (OPT HL10VAZ6-15 (VOPTK6))		1

71-11-32

 ILLUSTRATED PARTS LIST
 01.1 Page 1076B
 Jul 01/03


BOEING
 COMPONENT
 MAINTENANCE MANUAL

FIG. & ITEM	PART NO.	AIRLINE PART NUMBER	NOMENCLATURE 1234567	EFF CODE	QTY PER ASSY
02-480	HL82-6APBW		..COLLAR- (V5M902) (SPEC BACC30AG6) (OPT HL82-6APBW (V92215)) (OPT HL82-6APBW (V56878)) (OPT HL82-6APBW (V73197))		2
485	315T3309-1		..PAD ASSY-CPRSN	A,C,E ,G, J-P,Y ,AA,A B	1
-490	315T3309-2		..PAD ASSY-CPRSN	B,D,F ,H,Z, AC,AD	1
495	BACR15BA3AD		...RIVET- (SIZE DETERMINE ON INST)		4
500	BRM200C08M		...NUTPLATE- (V52828) (SPEC BACN10JP08ACM) (OPT MK1001-08BAC (V15653)) (OPT NS103197SE82 (V80539)) (OPT T8080C832 (V11815)) (OPT VN202D1-82 (V92215)) (OPT 109A9201M82 (V72962))		2

71-11-32

 ILLUSTRATED PARTS LIST
 01.1 Page 1076C
 Jul 01/03

FIG. & ITEM	PART NO.	AIRLINE PART NUMBER	NOMENCLATURE 1234567	EFF CODE	QTY PER ASSY
02-505	315T3309-3		...PAD	A,C,E G, J-P,Y AA,A B	1
-510	315T3309-4		...PAD	B,D,F H,Z, AC,AD	1
515	BACB30NM3K3		..BOLT-*(1) (USED WITH ITEMS 520, 525)		3
520	AN960PD10L		..WASHER-*(1) (USED WITH ITEMS 515, 525)		3
525	BRM200A3		..NUTPLATE-*(1) (V52828) (SPEC BACN10JP3A) (OPT MK1000-3BAC (V15653)) (OPT NS103197-02 (V80539)) (OPT RMA9201M3 (V72962)) (OPT T8076S1032 (V11815)) (OPT VN202A1-02 (V92215)) (USED WITH ITEMS 515, 520)		3

71-11-32

 ILLUSTRATED PARTS LIST
 01.1 Page 1076D
 Jul 01/03


BOEING
 COMPONENT
 MAINTENANCE MANUAL

FIG. & ITEM	PART NO.	AIRLINE PART NUMBER	NOMENCLATURE 1234567	EFF CODE	QTY PER ASSY
02-530	PLT1001-5-2		..BOLT-*(2) (V92215) (SPEC BACB30CC5-2) (OPT P164-2 (V98524)) (OPT PLT1001-5-2 (V98524)) (OPT ITEM 530A)		3
-530A	MS21141-0502P		..FASTENER-*(2) (OPT ITEM 530) *(1) USE THESE FASTENERS FOR METAL BULLNOSE. *(2) USE THESE FASTENERS FOR FIBERGLASS BULLNOSE.		3

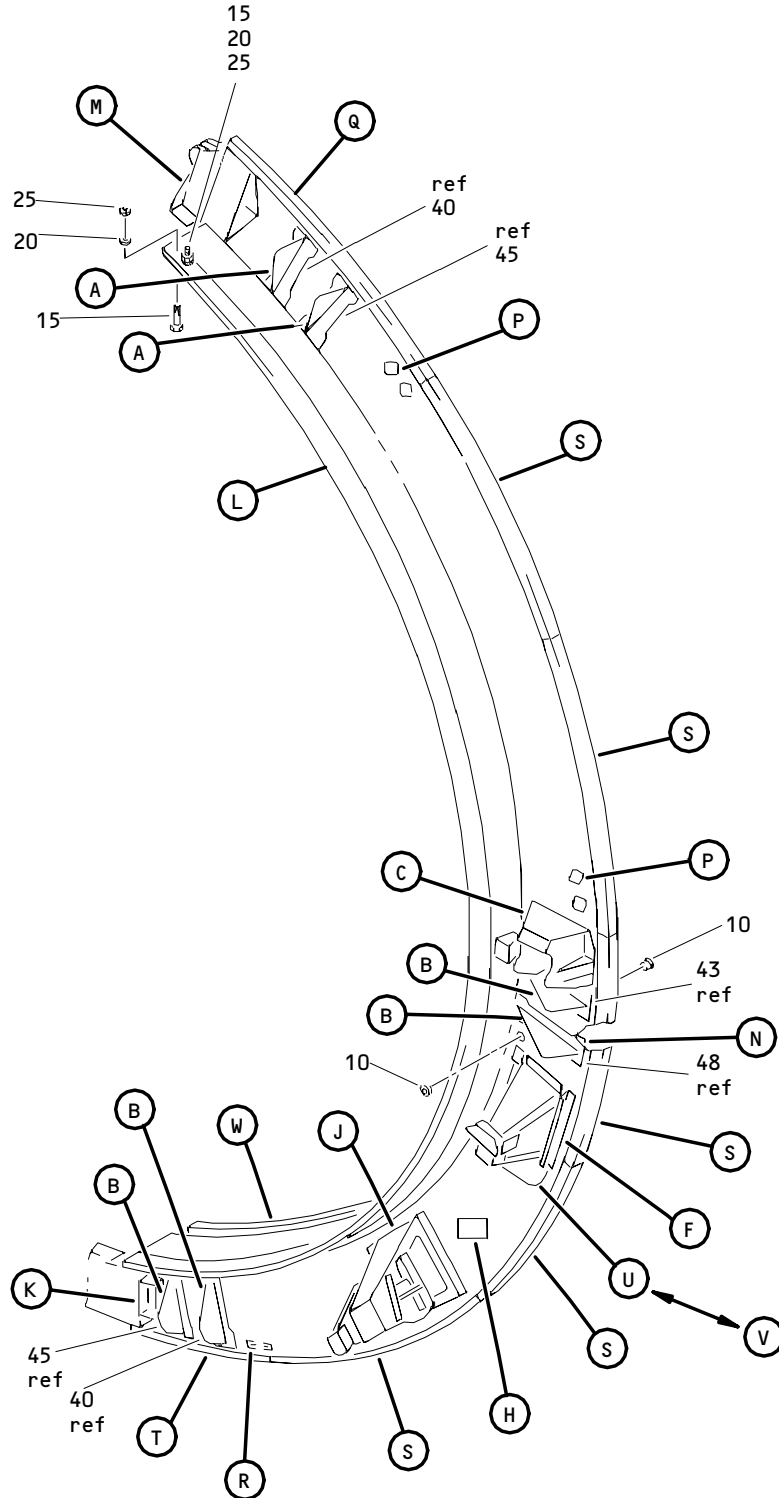
- Item Not Illustrated

71-11-32

ILLUSTRATED PARTS LIST

01.1 Page 1076E

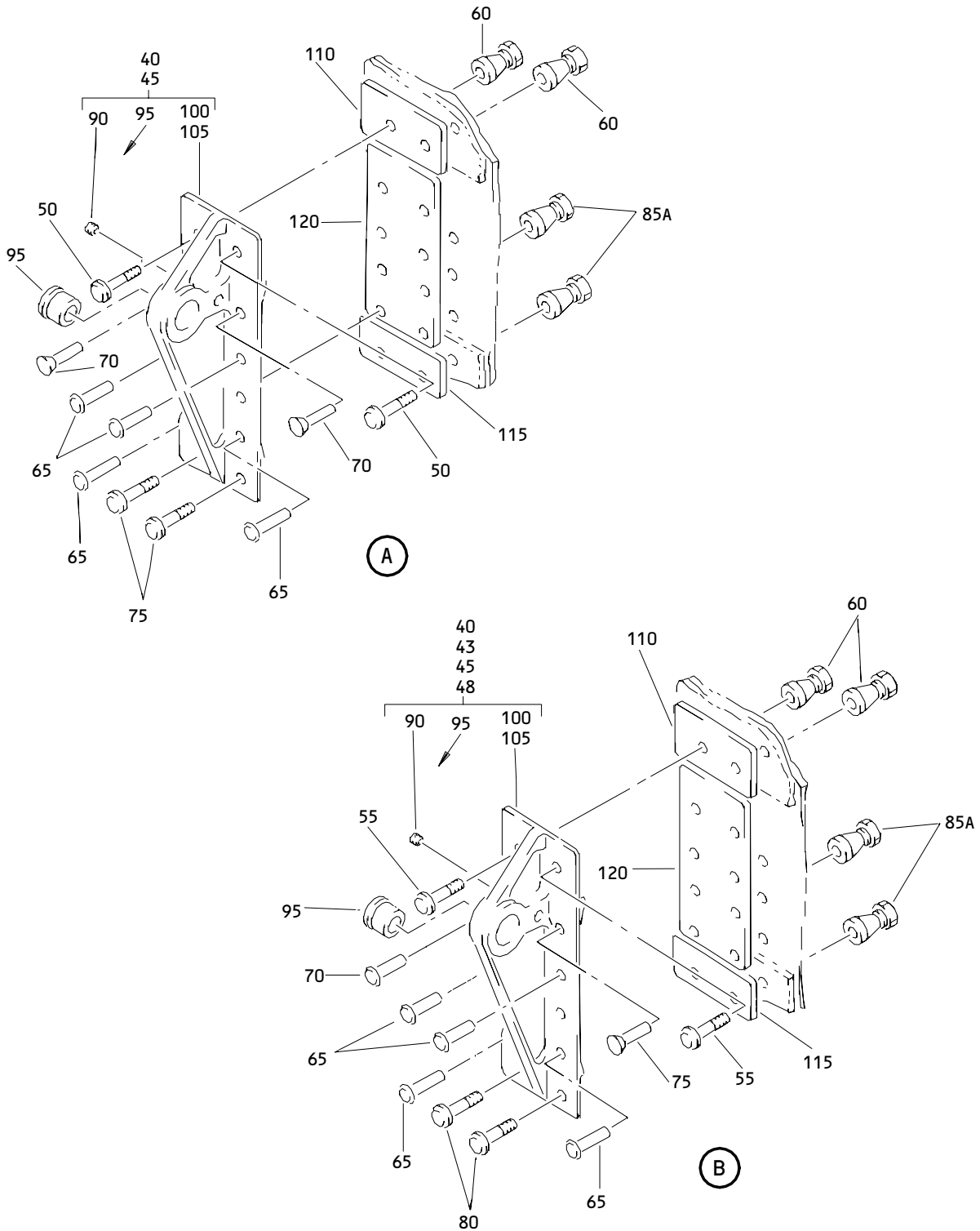
Jul 01/03



Engine Outboard and Inboard Side Fan Duct Reverser JT9D-7R4 Engine
Torque Box Installation
Figure 3 (Sheet 1)

71-11-32

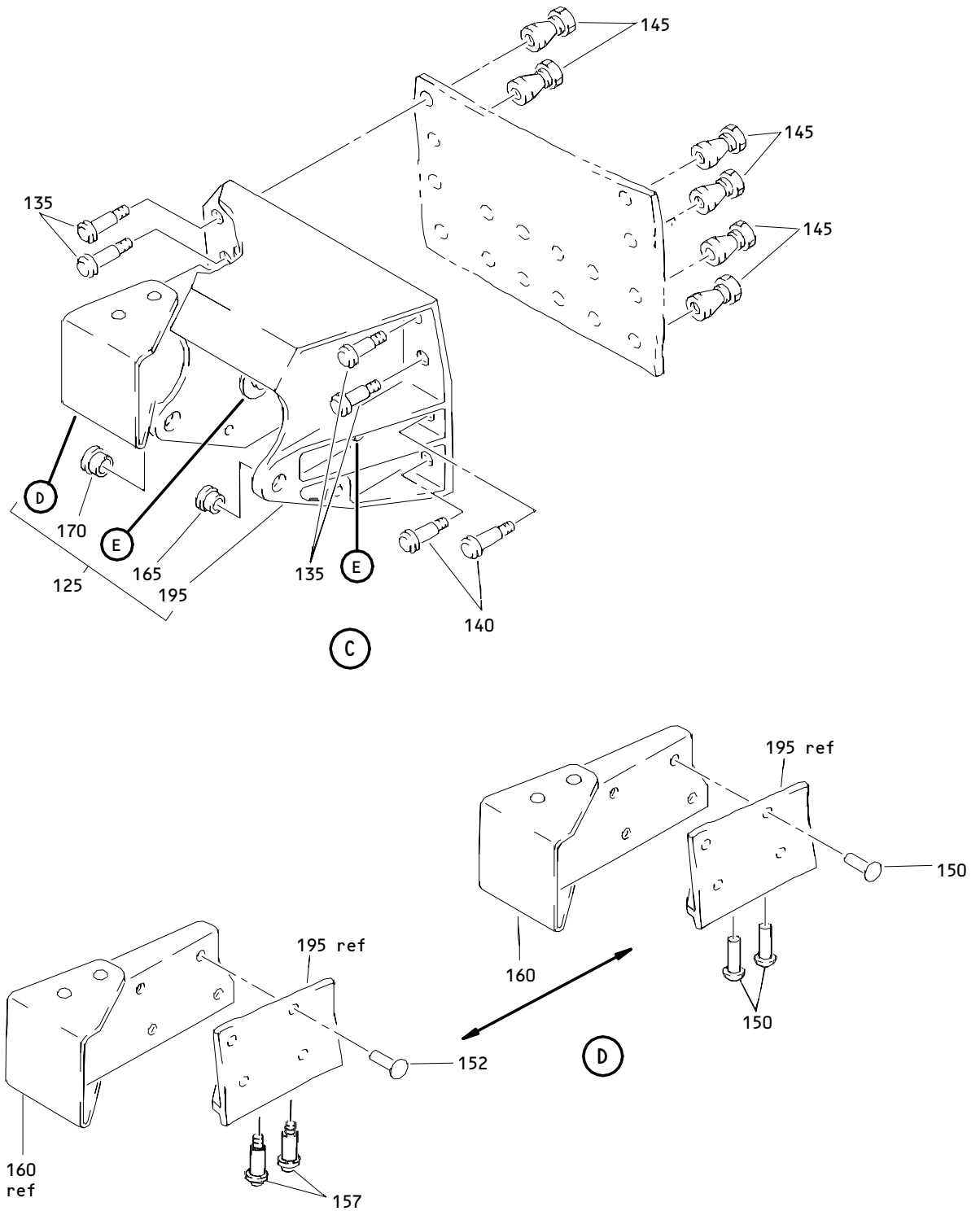
ILLUSTRATED PARTS LIST
01.1 Page 1076G
Jul 01/03



Engine Outboard and Inboard Side Fan Duct Reverser JT9D-7R4 Engine
 Torque Box Installation
 Figure 3 (Sheet 2)

71-11-32

ILLUSTRATED PARTS LIST
 01.1 Page 1076H
 Jul 01/03



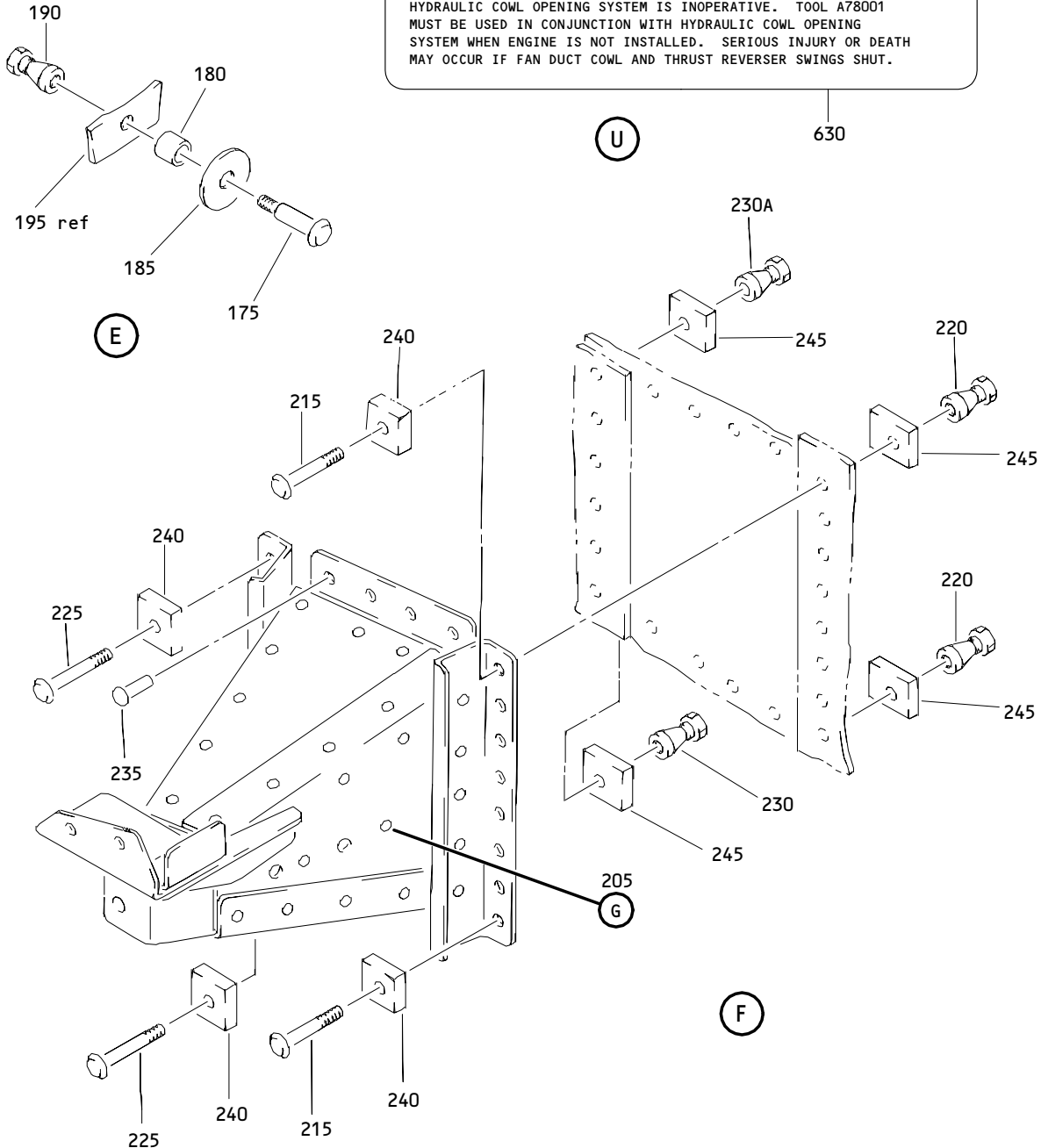
Engine Outboard and Inboard Side Fan Duct Reverser JT9D-7R4 Engine
 Torque Box Installation
 Figure 3 (Sheet 3)

71-11-32

ILLUSTRATED PARTS LIST
 01.1 Page 1076I
 Jul 01/03

**COMPONENT
MAINTENANCE MANUAL**
WARNING

DO NOT STAND BETWEEN THE FAN DUCT COWL AND THRUST REVERSER AND THE ENGINE UNLESS THE FAN DUCT COWL AND THRUST REVERSER IS SECURED WITH HOLD OPEN ROD. AN EXPOSED RED BAND WITH THE WORD "UNLOCKED" ON HOLD OPEN ROD INDICATES THE ROD IS NOT LOCKED. THE ROD MUST BE FULLY EXTENDED AND THE RED BAND MUST BE COVERED FOR THE ROD TO BE LOCKED. A SLING (LIFT) MUST BE USED PER MM 78-31-00 IN ADDITION TO HOLD OPEN ROD WHEN HYDRAULIC COWL OPENING SYSTEM IS INOPERATIVE. TOOL A78001 MUST BE USED IN CONJUNCTION WITH HYDRAULIC COWL OPENING SYSTEM WHEN ENGINE IS NOT INSTALLED. SERIOUS INJURY OR DEATH MAY OCCUR IF FAN DUCT COWL AND THRUST REVERSER SWINGS SHUT.



Engine Outboard and Inboard Side Fan Duct Reverser JT9D-7R4 Engine
Torque Box Installation
Figure 3 (Sheet 4)

71-11-32

 ILLUSTRATED PARTS LIST
 01.1 Page 1076J
 Jul 01/03

BOEING
COMPONENT
MAINTENANCE MANUAL

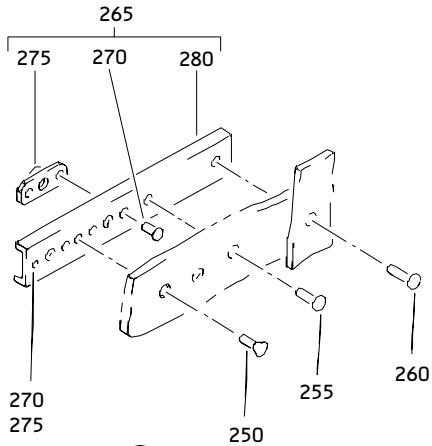
CAUTION

"THE INBOARD THRUST REVERSER HALVES MUST NOT BE OPENED UNLESS INBOARD LEADING EDGE SLATS ARE RETRACTED TO CRUISE POSITION AND PLACARDED AS FOLLOWS:

1. RETRACT INBOARD LEADING EDGE SLATS.
2. ATTACH DO-NOT-OPERATE IDENTIFIER TO FLAP CONTROL LEVER.
3. CHECK THAT ALTERNATE FLAP SLAT POSITION SELECTOR ON PILOTS OVERHEAD PANEL P5 IS IN NORM POSITION AND ATTACH DO-NOT-OPERATE IDENTIFIER.

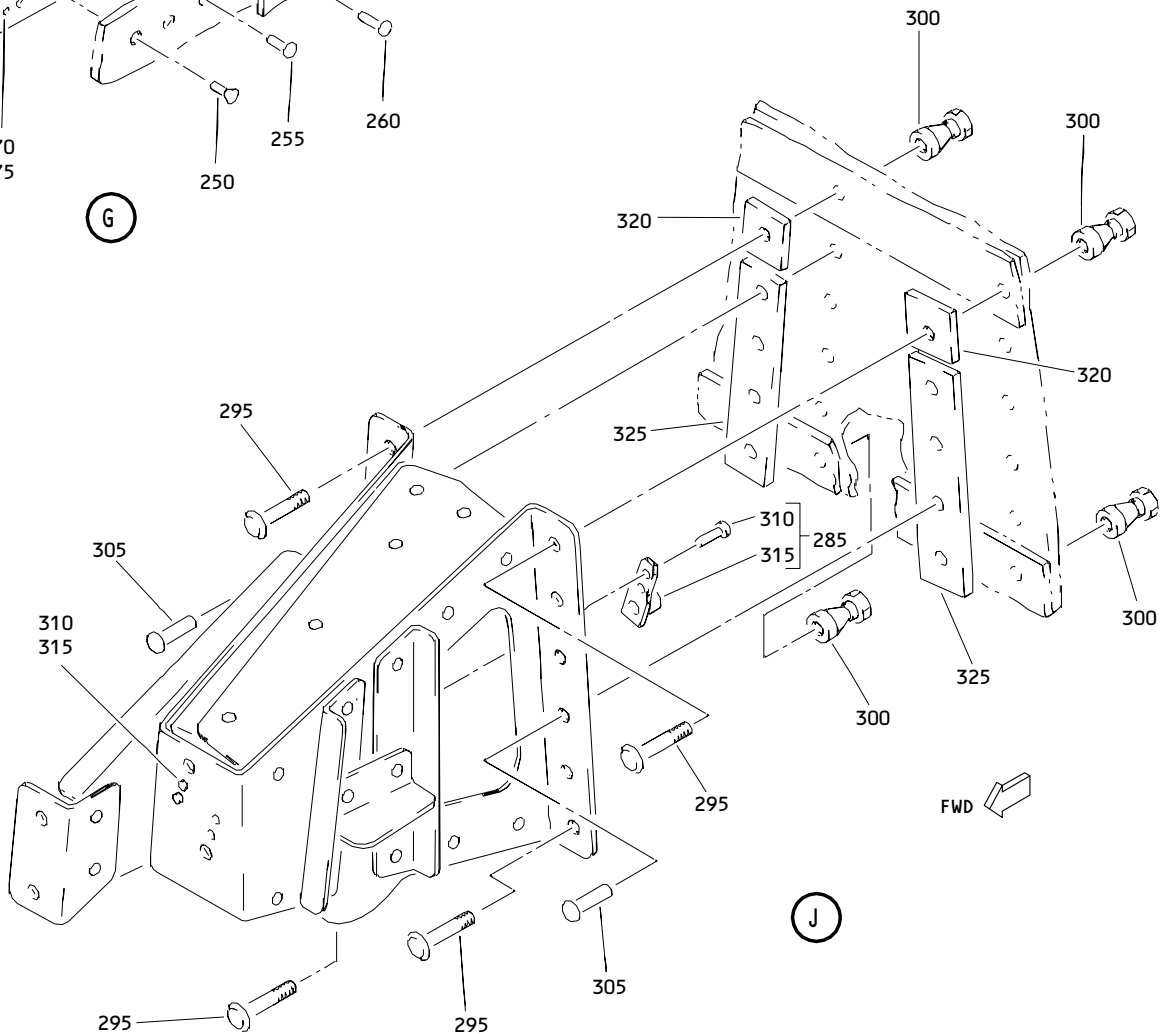
IF EXTENSIVE ENGINE WORK IS BEING ACCOMPLISHED, IT MAY BE DESIRABLE TO DEACTIVATE THE PRIMARY AND ALTERNATE LEADING EDGE DRIVE SYSTEMS PER MM 27-81-00."

625



G

H

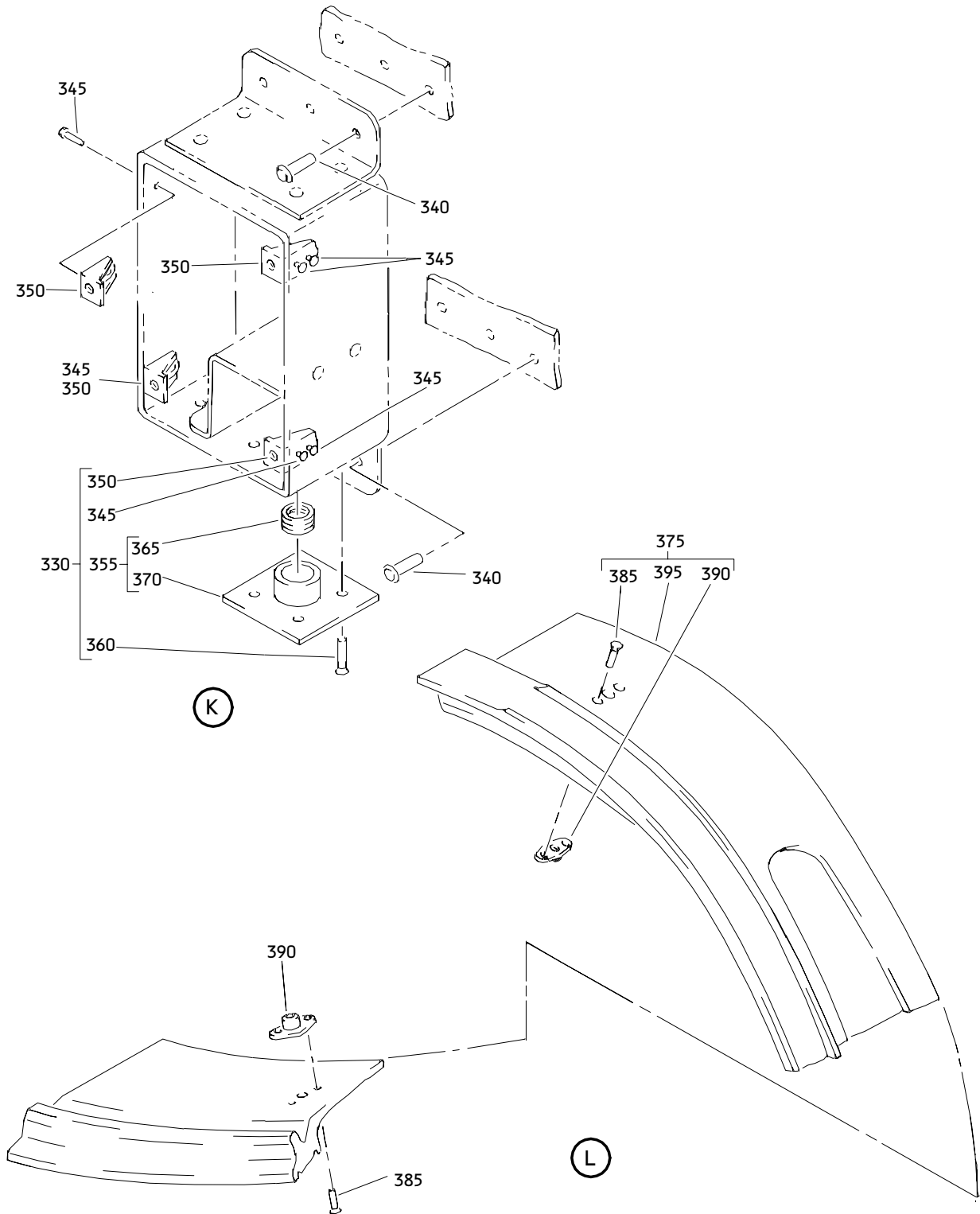


J

Engine Outboard and Inboard Side Fan Duct Reverser JT9D-7R4 Engine
 Torque Box Installation
 Figure 3 (Sheet 5)

71-11-32

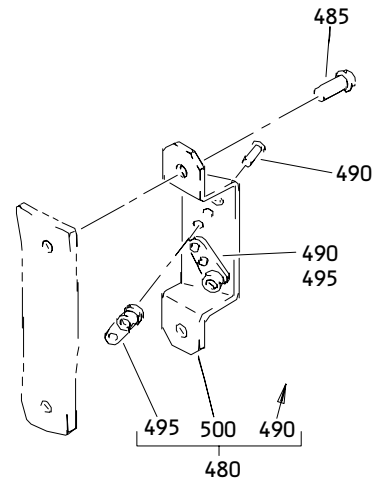
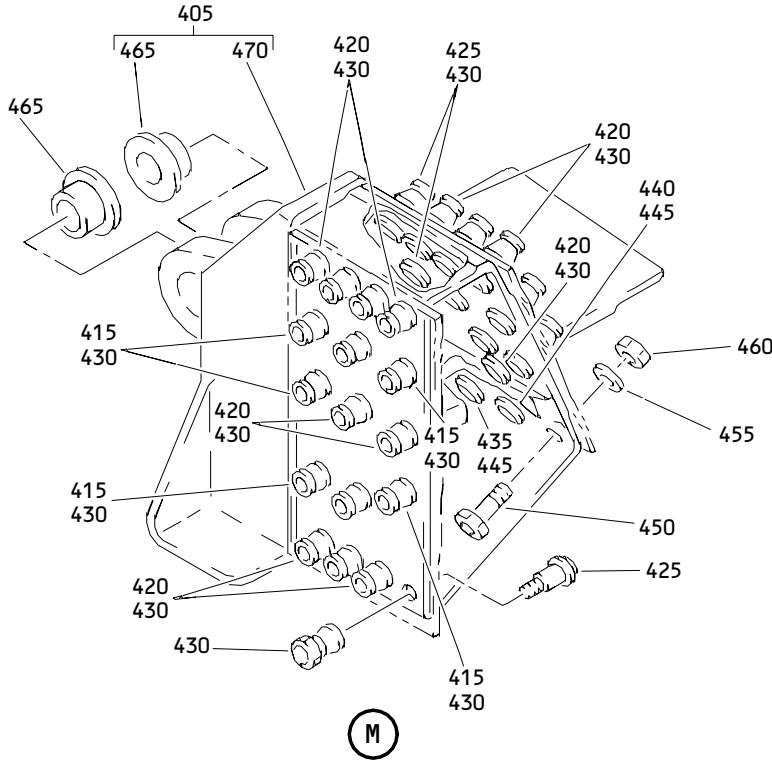
ILLUSTRATED PARTS LIST
 01.1 Page 1076K
 Jul 01/03



Engine Outboard and Inboard Side Fan Duct Reverser JT9D-7R4 Engine
Torque Box Installation
Figure 3 (Sheet 6)

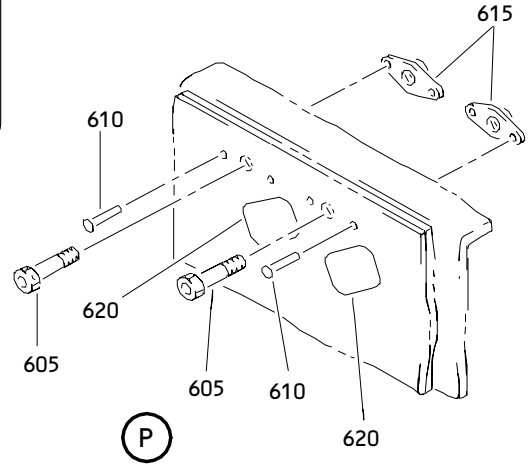
71-11-32

ILLUSTRATED PARTS LIST
01.1 Page 1076L
Jul 01/03



WARNING

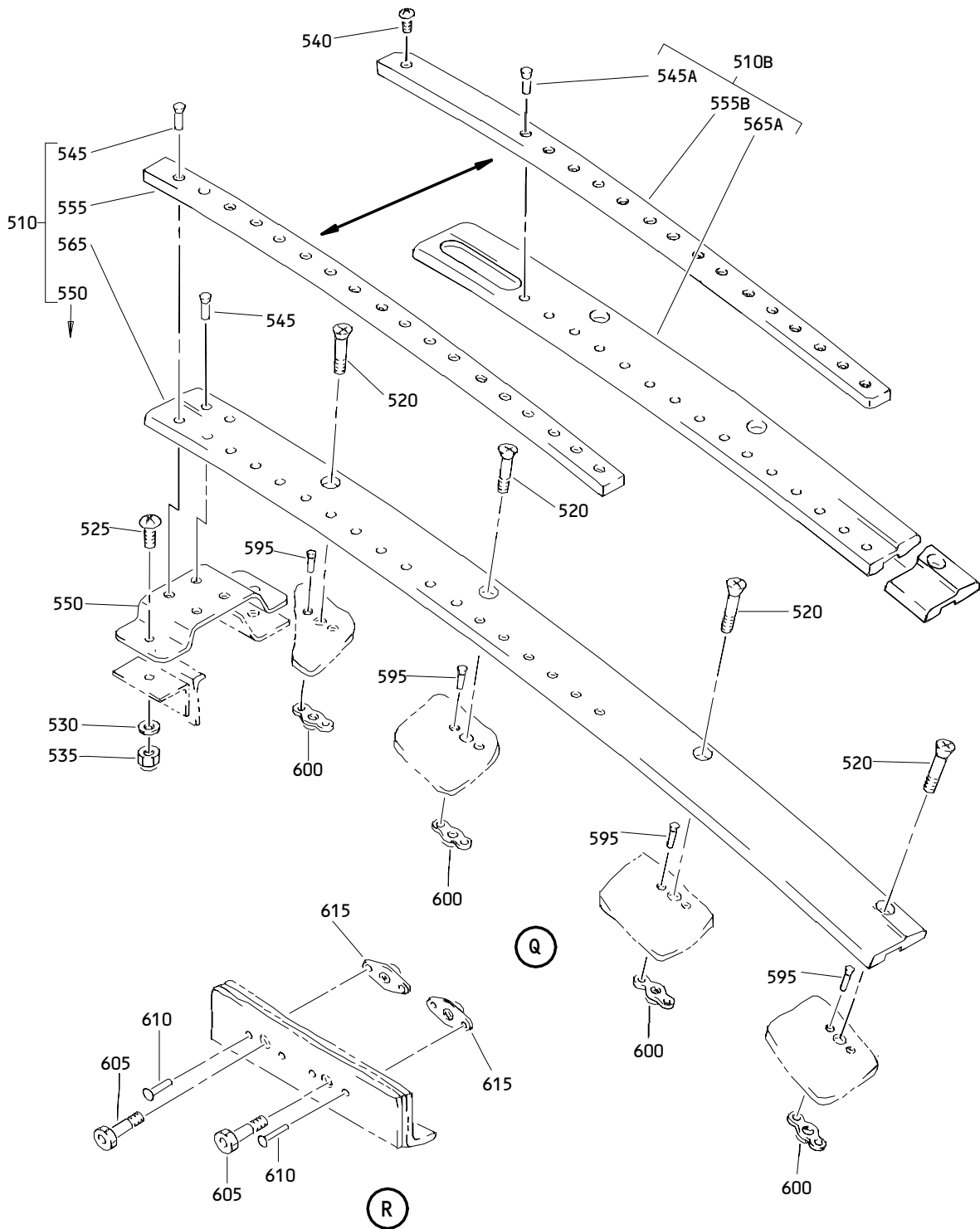
DO NOT STAND BETWEEN THE FAN DUCT COWL AND THRUST REVERSER AND THE ENGINE UNLESS THE FAN DUCT COWL AND THRUST REVERSER IS SECURED WITH HOLD OPEN ROD. AN EXPOSED RED BAND WITH THE WORD "UNLOCKED" ON HOLD OPEN ROD INDICATES THE ROD IS NOT LOCKED. THE ROD MUST BE FULLY EXTENDED AND THE RED BAND MUST BE COVERED FOR THE ROD TO BE LOCKED. A SLING (LIFT) MUST BE USED PER MM 78-31-00 IN ADDITION TO HOLD OPEN ROD WHEN HYDRAULIC COWL OPENING SYSTEM IS INOPERATIVE. TOOL A78001 MUST BE USED IN CONJUNCTION WITH HYDRAULIC COWL OPENING SYSTEM WHEN ENGINE IS NOT INSTALLED. SERIOUS OR FATAL INJURY MAY OCCUR IF FAN DUCT COWL AND THRUST REVERSER SWINGS SHUT.



Engine Outboard and Inboard Side Fan Duct Reverser JT9D-7R4 Engine
 Torque Box Installation
 Figure 3 (Sheet 7)

71-11-32

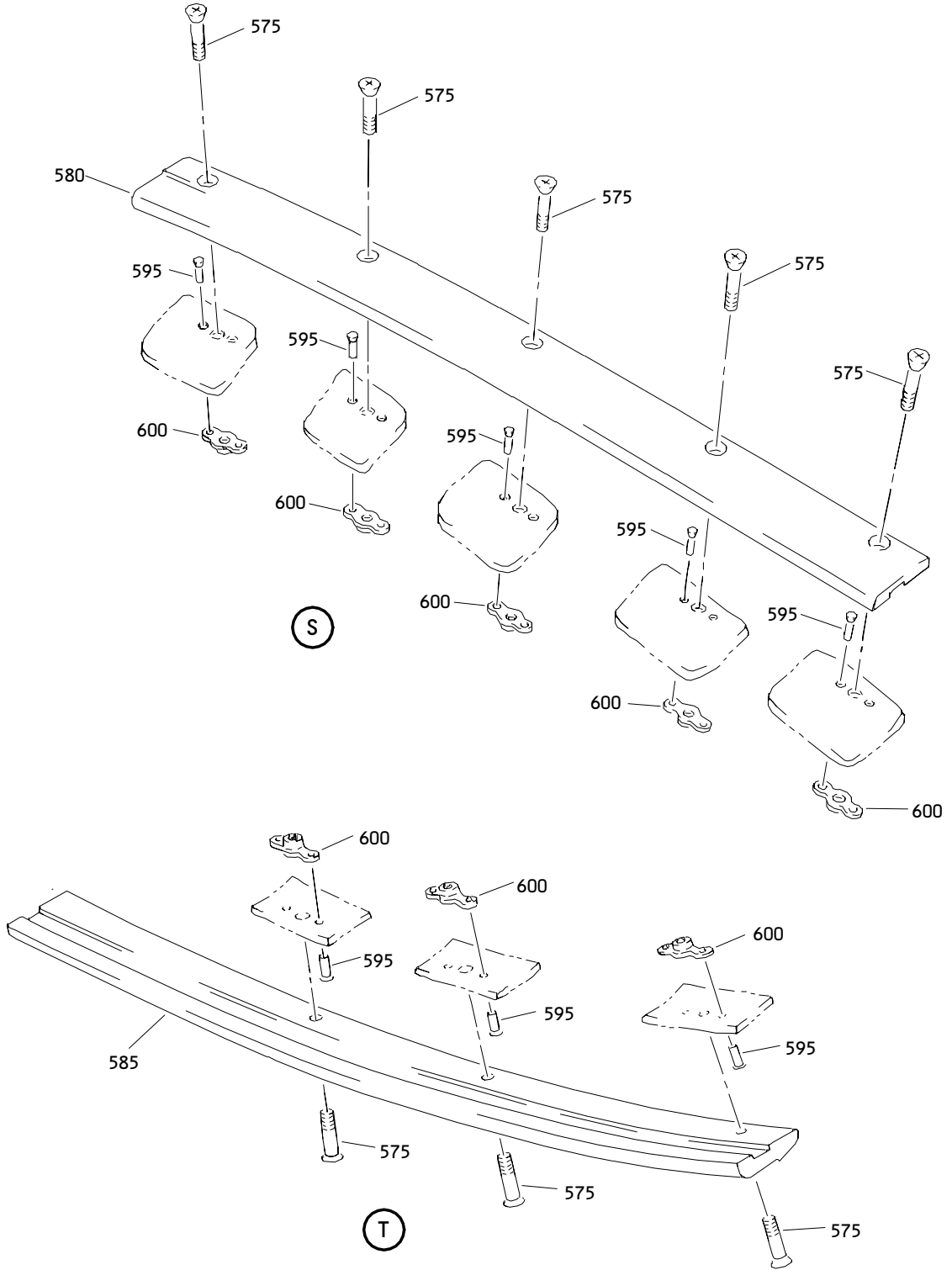
ILLUSTRATED PARTS LIST
 01.1 Page 1076M
 Jul 01/03



Engine Outboard and Inboard Side Fan Duct Reverser JT9D-7R4 Engine
 Torque Box Installation
 Figure 3 (Sheet 8)

71-11-32

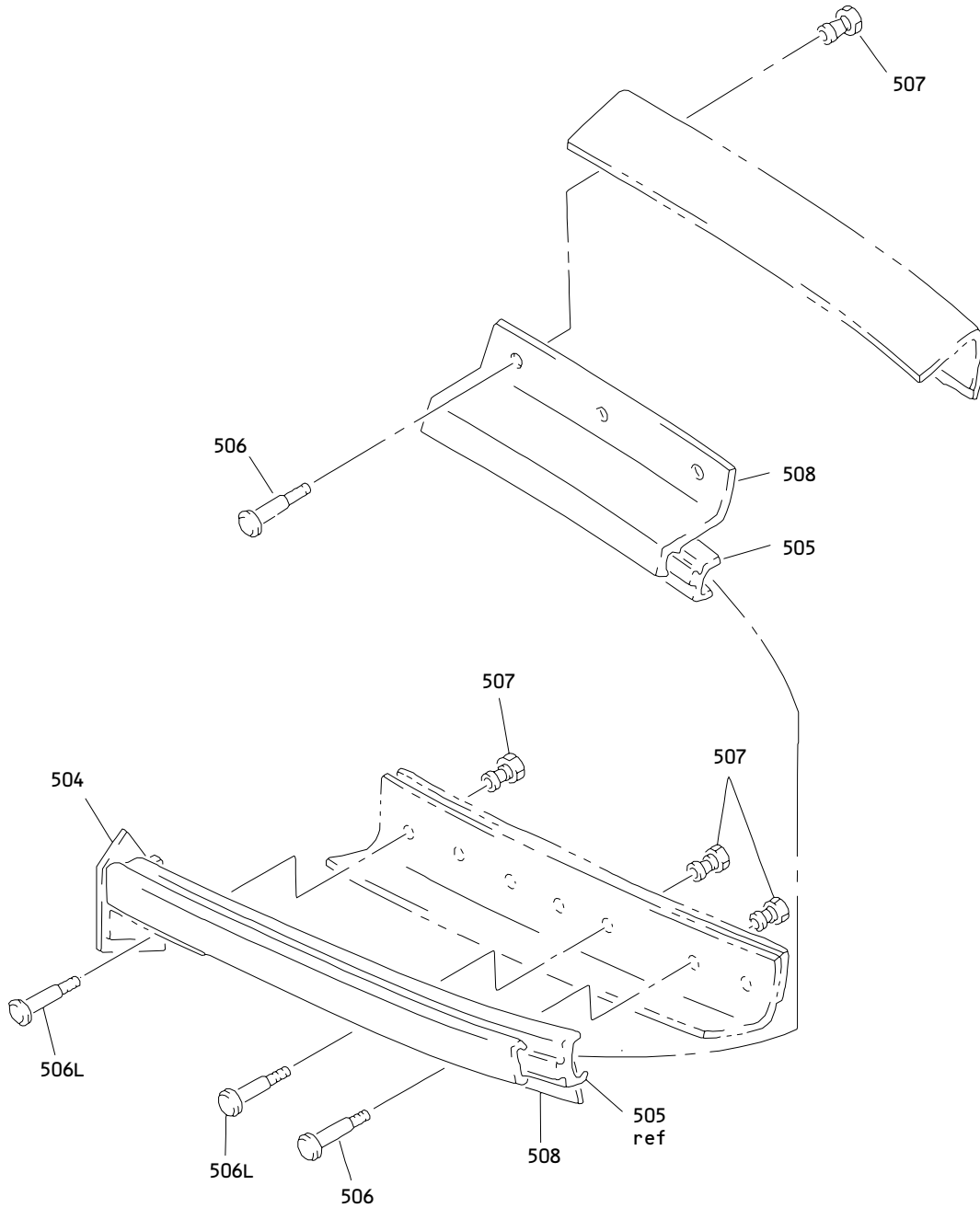
ILLUSTRATED PARTS LIST
 01.1 Page 1076N
 Jul 01/03



Engine Outboard and Inboard Side Fan Duct Reverser JT9D-7R4 Engine
Torque Box Installation
Figure 3 (Sheet 9)

71-11-32

ILLUSTRATED PARTS LIST
01.1 Page 10760
Jul 01/03



(W)

Engine Outboard and Inboard Side Fan Duct Reverser JT9D-7R4 Engine
Torque Box Installation
Figure 3 (Sheet 10)

71-11-32

ILLUSTRATED PARTS LIST
01.1 Page 1076P
Jul 01/03


BOEING
 COMPONENT
 MAINTENANCE MANUAL

FIG. & ITEM	PART NO.	AIRLINE PART NUMBER	NOMENCLATURE 1234567	EFF CODE	QTY PER ASSY
03- -1	315T3202-73		BOX INSTL-ENG OUTBD AND INBD SIDE FAN DUCT REVERSER JT9D-7R4 ENG TORQUE LH	A,C, J-P,Y ,AA,A B	RF
-1A -5	315T3202-115 315T3202-74		DELETED BOX INSTL-ENG OUTBD AND INBD SIDE FAN DUCT REVERSER JT9D-7R4 ENG TORQUE RH	B,D,F ,H,Z	RF
-5A 10	315T3202-116 RR2002-4B6		DELETED .GROMMET- (V57268) (SPEC BACG20AF4B6) (OPT H4B6 (V74687)) (OPT SZ6924-4B6 (V95272)) (OPT 701-4B6 (V07096)) (OPT E4B6 (V60980)) (OPT G6940-4B6 (V75345)) (OPT ITEM 10A)	A-D,F ,H-P, Y-AB	2
-10A	RR2002-4B6A		.GROMMET- (V57268) (SPEC BACG20AF4B6A) (OPT G6940-4B6A (V75345)) (OPT SZ6924-4B6A (V95272)) (OPT 701-4B6A (V07096)) (OPT E4B6A (V60980)) (OPT H4B6A (V60980)) (OPT ITEM 10)	A-D,F ,H-P, Y-AB	2

71-11-32

ILLUSTRATED PARTS LIST

01.1 Page 1076Q

Jul 01/03

FIG. & ITEM	PART NO.	AIRLINE PART NUMBER	NOMENCLATURE 1234567	EFF CODE	QTY PER ASSY
03-15	BACB30LJ3K5		.BOLT- (OPT ITEM 15A)	A-D, F , H-P, Y-AB	2
-15A	NAS6703A5		.BOLT- (OPT ITEM 15)	A-D, F , H-P, Y-AB	2
20	AN960PD10		.WASHER	A-D, F , H-P, Y-AB	2
25	H10-3BAC		.NUT- (V15653) (SPEC BACN10JC3) (OPT NS202101-02 (V80539)) (OPT RMLH9075-3W (V72962)) (OPT T6S1032J (V71087)) (OPT VN303A02 (V92215)) (OPT 96-02 (V80539)) (OPT BRH10A3 (V52828))	A-D, F , H-P, Y-AB	2

71-11-32

 ILLUSTRATED PARTS LIST
 01.1 Page 1076R
 Jul 01/03


BOEING
 COMPONENT
 MAINTENANCE MANUAL

FIG. & ITEM	PART NO.	AIRLINE PART NUMBER	NOMENCLATURE 1234567	EFF CODE	QTY PER ASSY
03- -30	315T3202-5001		.BOX INSTL- (LIMITED)	A,C, J-P,Y ,AA,A B	1
-30A	315T3202-5003		.BOX INSTL- (LIMITED)	A,C, J-P,Y ,AA,A B	1
-30B	315T3202-5005		.BOX INSTL- (LIMITED)	A,C, J-P,Y ,AA,A B	1
-30C	315T3202-5009		.BOX INSTL- (LIMITED)	A,C, J-P,Y ,AA,A B	1
-30D	315T3202-5011		.BOX INSTL- (LIMITED)	A,C, J-P,Y ,AA,A B	1
-30E	315T3202-5013		.BOX INSTL- (LIMITED)	A,C, J-P,Y ,AA,A B	1
-30F	315T3202-5017		.BOX INSTL- (LIMITED)	A,C, J-P,Y ,AA,A B	1
-30G	315T3202-5019		.BOX INSTL- (LIMITED)	A,C, J-P,Y ,AA,A B	1

71-11-32

ILLUSTRATED PARTS LIST

01.1 Page 1076S

Jul 01/03

FIG. & ITEM	PART NO.	AIRLINE PART NUMBER	NOMENCLATURE 1234567	EFF CODE	QTY PER ASSY
03-			DELETED		
-30H	315T3202-5021		.BOX INSTL-	A,C,	1
-30J	315T3202-5023		(LIMITED)	J-P,Y ,AA,A B	
-30K	315T3202-5033		.BOX INSTL-	A,C,	1
			(LIMITED)	J-P,Y ,AA,A B	
-30L	315T3202-5037		.BOX INSTL-	A,C,	1
			(LIMITED)	J-P,Y ,AA,A B	
-35	315T3202-5002		.BOX INSTL-	B,D,F	1
			(LIMITED)	,H,Z	
-35A	315T3202-5004		.BOX INSTL-	B,D,F	1
			(LIMITED)	,H,Z	
-35B	315T3202-5006		.BOX INSTL-	B,D,F	1
			(LIMITED)	,H,Z	
-35C	315T3202-5008		.BOX INSTL-	B,D,F	1
			(LIMITED)	,H,Z	
-35D	315T3202-5010		.BOX INSTL-	B,D,F	1
			(LIMITED)	,H,Z	
-35E	315T3202-5012		.BOX INSTL-	B,D,F	1
			(LIMITED)	,H,Z	
-35F	315T3202-5018		.BOX INSTL-	B,D,F	1
			(LIMITED)	,H,Z	
-35G	315T3202-5022		DELETED		
-35H	315T3202-5024		.BOX INSTL-	B,D,F	1
			(LIMITED)	,H,Z	
-35J	315T3202-5034		.BOX INSTL-	B,D,F	1
			(LIMITED)	,H,Z	
-35K	315T3202-5038		.BOX INSTL-	B,D,F	1
			(LIMITED)	,H,Z	
40	315T3634-2		..FITTING ASSY-ACTR ATTACH	A-D,F ,H-P, Y-AB	2
43	315T3634-2		..FITTING ASSY-ACTR ATTACH (USED ON ITEMS 30, 30A, 30B, 30C, 30D, 30E, 30F, 35, 35A, 35B, 35C, 35D, 35E)	A-D,F ,H-P, Y-AB	1

71-11-32

 ILLUSTRATED PARTS LIST
 01.1 Page 1076T
 Jul 01/03



BOEING
 COMPONENT
 MAINTENANCE MANUAL

FIG. & ITEM	PART NO.	AIRLINE PART NUMBER	NOMENCLATURE 1234567	EFF CODE	QTY PER ASSY
03-44	315T3634-10		..FITTING ASSY-ACTR ATTACH (USED ON ITEMS 30G, 30J, 30K, 30L)	A,C, J-P,Y ,AA,A B	1
45	315T3634-1		..FITTING ASSY-ACTR ATTACH	A-D,F ,H-P, Y-AB	2
48	315T3634-1		..FITTING ASSY-ACTR ATTACH (USED ON ITEMS 30, 30A, 30B, 30C, 30D, 30E, 30F, 35, 35A, 35B, 35C,35D, 35E)	A-D,F ,H-P, Y-AB	1
-49	315T3634-11		..FITTING ASSY-ACTR ATTACH (USED ON ITEMS 35F, 35H, 35J, 35K) ATTACHING PARTS	B,D,F ,H,Z	1
50	HL10VAZ8-11		..BOLT- (V60516) (SPEC BACB30MY8K11) (OPT B30MY8K11 (V97928))	A-D,F ,H-P, Y-AB	4
55	HL10VAZ8-10		..BOLT- (V60516) (SPEC BACB30MY8K10) (OPT B30MY8K10 (V97928))	A-D,F ,H-P, Y-AB	8
60	HL79-8		..COLLAR- (V5M902) (SPEC BACC30M8) (OPT HL79-8 (V73197)) (OPT HL79-8 (V92215)) (OPT 66014-8 (V56878)) (OPT HL79-8 (V56878))	A-D,F ,H-P, Y-AB	12

71-11-32

ILLUSTRATED PARTS LIST
 01.1 Page 1076U
 Jul 01/03

FIG. & ITEM	PART NO.	AIRLINE PART NUMBER	NOMENCLATURE 1234567	EFF CODE	QTY PER ASSY
03-65	BACR15FT6KE		..RIVET- (SIZE DETERMINE ON INST)	A-D,F ,H-P, Y-AB	36
70	BACR15CE6KE		..RIVET- (SIZE DETERMINE ON INST)	A-D,F ,H-P, Y-AB	12
75	HL10VAZ6-9		..BOLT- (V60516) (SPEC BACB30MY6K9) (OPT B30MY6K9 (V97928))	A-D,F ,H-P, Y-AB	4
80	HL10VAZ6-8		..BOLT- (V60516) (SPEC BACB30MY6K8) (OPT B30MY6K8 (V97928))	A-D,F ,H-P, Y-AB	8
85 85A	BACB30M6 HL79-6		DELETED ..COLLAR- (V5M902) (SPEC BACC30M6) (OPT HL79-6 (V73197)) (OPT HL79-6 (V92215)) (OPT 66014-6 (V56878)) (OPT HL79-6 (V56878)) -----*	A-D,F ,H-P, Y-AB	12

71-11-32

 ILLUSTRATED PARTS LIST
 01.1 Page 1076V
 Jul 01/03


BOEING
 COMPONENT
 MAINTENANCE MANUAL

FIG. & ITEM	PART NO.	AIRLINE PART NUMBER	NOMENCLATURE 1234567	EFF CODE	QTY PER ASSY
03-90	MS21209F4-10P		...INSERT	A-D,F ,H-P, Y-AB	1
95	BACB28AP07P038		...BUSHING	A-D,F ,H-P, Y-AB	1
100	315T3634-4		...FITTING- (USED ON ITEM 40)	A-D,F ,H-P, Y-AB	1
-102	315T3634-4		...FITTING- (USED ON ITEM 43)	A-D,F ,H-P, Y-AB	1
-103	315T3634-12		...FITTING- (USED ON ITEM 44)	A,C, J-P,Y ,AA,A B	1
105	315T3634-3		...FITTING- (USED ON ITEM 45)	A-D,F ,H-P, Y-AB	1
-107	315T3634-3		...FITTING- (USED ON ITEM 48)	A-D,F ,H-P, Y-AB	1
-108	315T3634-13		...FITTING- (USED ON ITEM 49)	B,D,F ,H,Z	1
110	BACS40R11B22F		..SHIM	A-D,F ,H-P, Y-AB	6
115	BACS40R09B21F		..SHIM	A-D,F ,H-P, Y-AB	6
120	BACS40R17B33F		..SHIM	A-D,F ,H-P, Y-AB	6

71-11-32

 ILLUSTRATED PARTS LIST
 01.1 Page 1076W
 Jul 01/03

FIG. & ITEM	PART NO.	AIRLINE PART NUMBER	NOMENCLATURE 1234567	EFF CODE	QTY PER ASSY
03-125	315T3730-7		..FITTING ASSY-SPRT	A,C, J-P,Y ,AA,A B	1
-130	315T3730-2		..FITTING ASSY-SPRT	B,D,F ,H,Z	1
135	HL1012AZ6-6		ATTACHING PARTS ..BOLT- (V97928) (SPEC BACB30NX6K6) (OPT HL12VAZ6-6 (V73197)) (OPT HL12VAZ6-6 (V92215)) (OPT HL12VAZ6-6 (V97928)) (OPT L802-6K6 (V06725)) (OPT HL12VAZ6-6 (V56878)) (OPT HL1012AZ6-6 (V0PTK6)) (OPT HL1012AZ6-6 (V06725)) (OPT HL1012AZ6-6 (V06950)) (OPT HL1012AZ6-6 (V17446)) (OPT HL1012AZ6-6 (V56878)) (OPT HL1012AZ6-6 (V60516)) (OPT HL1012AZ6-6 (V73197))	A-D,F ,H-P, Y-AB	4

71-11-32

 ILLUSTRATED PARTS LIST
 01.1 Page 1076X
 Jul 01/03

 **BOEING**
 COMPONENT
 MAINTENANCE MANUAL

FIG. & ITEM	PART NO.	AIRLINE PART NUMBER	NOMENCLATURE 1234567	EFF CODE	QTY PER ASSY
03-140	HL1012AZ6-8		..BOLT- (V97928) (SPEC BACB30NX6K8) (OPT HL12VAZ6-8 (V73197)) (OPT HL12VAZ6-8 (V92215)) (OPT HL12VAZ6-8 (V97928)) (OPT L802-6K8 (V06725)) (OPT HL12VAZ6-8 (V56878)) (OPT HL1012AZ6-8 (V0PTK6)) (OPT HL1012AZ6-8 (V06725)) (OPT HL1012AZ6-8 (V06950)) (OPT HL1012AZ6-8 (V17446)) (OPT HL1012AZ6-8 (V56878)) (OPT HL1012AZ6-8 (V60516)) (OPT HL1012AZ6-8 (V73197))	A-D, F ,H-P, Y-AB	12
145	HL1187DU6		..COLLAR- (V5M902) (SPEC BACC30X6S) (OPT HL87DU6 (V73197)) (OPT HL87DU6 (V92215)) (OPT HL1187DU6 (V56878)) (OPT HL1187DU6 (V92215)) (OPT HL87DU6 (V56878)) (OPT HL1187DU6 (V73197)) (OPT ITEM 145A)	A-D, F ,H-P, Y-AB	16

71-11-32

ILLUSTRATED PARTS LIST
 01.1 Page 1076Y
 Jul 01/03

FIG. & ITEM	PART NO.	AIRLINE PART NUMBER	NOMENCLATURE 1234567	EFF CODE	QTY PER ASSY
03- -145A	HL1187-6		..COLLAR- (V5M902) (SPEC BACC30X6) (OPT HL87-6 (V73197)) (OPT HL87-6 (V92215)) (OPT HL1187-6 (V56878)) (OPT HL1187-6 (V92215)) (OPT HL87-6 (V56878)) (OPT HL1187-6 (V73197)) (OPT ITEM 145) -----*	A-D,F ,H-P, Y-AB	16
150	BACR15BB5AD		...RIVET- (SIZE DETERMINE ON INST)	B,D,F ,H,Z	6
152	BACR15BB5AD		...RIVET- (SIZE DETERMINE ON INST)	A,C, J-P, Y-AB	4
155 157	BACR15BA5KE HL441UC5-4		DELETED ...BOLT- (V60516) (SPEC BACB30FM5A4) (OPT HL440UC5-4 (V73197)) (OPT HL440UC5-4 (V92215)) (OPT HL440UC5-4 (V97928)) (OPT HL440UC5-4 (V80539)) (OPT WC130-5-4 (V60516)) (OPT 67067-5A4 (V56878)) (OPT L8055A4 (V06725)) (OPT HL440UC5-4 (V56878))	A,C, J-P,Y ,AA,A B	2

71-11-32

 ILLUSTRATED PARTS LIST
 01.1 Page 1076Z
 Jul 01/03

BOEING
 COMPONENT
 MAINTENANCE MANUAL

FIG. & ITEM	PART NO.	AIRLINE PART NUMBER	NOMENCLATURE 1234567	EFF CODE	QTY PER ASSY
03-160	315T3633-112		...BRACKET ASSY	A,C, J-P,Y ,AA,A B	1
165	BACB28AP04P022		...BUSHING	A-D,F ,H-P, Y-AB	1
170	BACB28AP06P022		...BUSHING	A-D,F ,H-P, Y-AB	1
175	HL1012AZ6-6		...BOLT- (V97928) (SPEC BACB30NX6K6) (OPT HL12VAZ6-6 (V73197)) (OPT HL12VAZ6-6 (V92215)) (OPT HL12VAZ6-6 (V97928)) (OPT L802-6K6 (V06725)) (OPT HL12VAZ6-6 (V56878)) (OPT HL1012AZ6-6 (V0PTK6)) (OPT HL1012AZ6-6 (V06725)) (OPT HL1012AZ6-6 (V06950)) (OPT HL1012AZ6-6 (V17446)) (OPT HL1012AZ6-6 (V56878)) (OPT HL1012AZ6-6 (V60516)) (OPT HL1012AZ6-6 (V73197))	A-D,F ,H-P, Y-AB	2

71-11-32

ILLUSTRATED PARTS LIST
 01.1 Page 1077
 Jul 01/03

FIG. & ITEM	PART NO.	AIRLINE PART NUMBER	NOMENCLATURE 1234567	EFF CODE	QTY PER ASSY
03-180	NAS43DD3-8		...SPACER	A-D, F ,H-P, Y-AB	2
185	BACW10P69S		...WASHER	A-D, F ,H-P, Y-AB	2
190	HL1187DUW6		...COLLAR- (V5M902) (SPEC BACC30X6SW) (OPT HL87DUW6 (V73197)) (OPT HL87DUW6 (V92215)) (OPT HL1187DUW6 (V56878)) (OPT HL1187DUW6 (V92215)) (OPT HL87DUW6 (V56878)) (OPT HL1187DUW6 (V73197))	A-D, F ,H-P, Y-AB	2
195	315T3730-3		...BRACKET	A, C, J-P, Y ,AA, A B	1
-200	315T3730-4		...BRACKET	B, D, F ,H, Z	1
205	315T3633-113		..BRACKET ASSY	A, C, J-P, Y ,AA, A B	1
-210	315T3633-114		..BRACKET ASSY	B, D, F ,H, Z	1
			ATTACHING PARTS		

71-11-32

ILLUSTRATED PARTS LIST

01.1

Page 1078

Jul 01/03


BOEING
 COMPONENT
 MAINTENANCE MANUAL

FIG. & ITEM	PART NO.	AIRLINE PART NUMBER	NOMENCLATURE 1234567	EFF CODE	QTY PER ASSY
03-215	HL10VAZ6-12		..BOLT- (V60516) (SPEC BACB30MY6K12) (OPT B30MY6K12 (V97928))	A-D,F ,H-P, Y-AB	2
220	HL79-6		..COLLAR- (V5M902) (SPEC BACC30M6) (OPT HL79-6 (V73197)) (OPT HL79-6 (V92215)) (OPT 66014-6 (V56878)) (OPT HL79-6 (V56878))	A-D,F ,H-P, Y-AB	2
225	HL1012AZ6-12		..BOLT- (V97928) (SPEC BACB30NX6K12) (OPT L802-6K12 (V06725)) (OPT HL12VAZ6-12 (V73197)) (OPT HL12VAZ6-12 (V92215)) (OPT HL12VAZ6-12 (V97928)) (OPT HL12VAZ6-12 (V56878)) (OPT HL1012AZ6-12 (V0PTK6)) (OPT HL1012AZ6-12 (V06725)) (OPT HL1012AZ6-12 (V06950)) (OPT HL1012AZ6-12 (V17446)) (OPT HL1012AZ6-12 (V56878)) (OPT HL1012AZ6-12 (V60516)) (OPT HL1012AZ6-12 (V73197))	A-D,F ,H-P, Y-AB	2

71-11-32

ILLUSTRATED PARTS LIST

01.1 Page 1078A

Jul 01/03

FIG. & ITEM	PART NO.	AIRLINE PART NUMBER	NOMENCLATURE 1234567	EFF CODE	QTY PER ASSY
03- 230 230A	BACC30X65 HL1187-6		DELETED ..COLLAR- (V5M902) (SPEC BACC30X6) (OPT HL87-6 (V73197)) (OPT HL87-6 (V92215)) (OPT HL1187-6 (V56878)) (OPT HL1187-6 (V92215)) (OPT HL87-6 (V56878)) (OPT HL1187-6 (V73197)) (OPT ITEM 230B)	A-D, F ,H-P, Y-AB	2
-230B	HL1187DU6		..COLLAR- (V5M902) (SPEC BACC30X6S) (OPT HL87DU6 (V73197)) (OPT HL87DU6 (V92215)) (OPT HL1187DU6 (V56878)) (OPT HL1187DU6 (V92215)) (OPT HL87DU6 (V56878)) (OPT HL1187DU6 (V73197)) (OPT ITEM 230A)	A-D, F ,H-P, Y-AB	2

71-11-32

 ILLUSTRATED PARTS LIST
 01.1 Page 1078B
 Jul 01/03


BOEING
 COMPONENT
 MAINTENANCE MANUAL

FIG. & ITEM	PART NO.	AIRLINE PART NUMBER	NOMENCLATURE 1234567	EFF CODE	QTY PER ASSY
03-235	BACR15FT6KE		..RIVET- (SIZE DETERMINE ON INST)	A-D,F ,H-P, Y-AB	18
240	315T3202-43		..FILLER-RADIUS	A-D,F ,H-P, Y-AB	4
245	315T3202-44		..FILLER -----*-----	A-D,F ,H-P, Y-AB	4
250	BACR15CE5KE		...RIVET- (SIZE DETERMINE ON INST)	Y-AB A-D,F ,H-P, Y-AB	1
255	BACR15BB5AD		...RIVET- (SIZE DETERMINE ON INST)	A-D,F ,H-P, Y-AB	1
260	BACR15BB6AD		...RIVET- (SIZE DETERMINE ON INST)	A-D,F ,H-P, Y-AB	1
265	315T3633-98		...STIFFENER ASSY	A-D,F ,H-P, Y-AB	1
270	BACR15BA3AD	RIVET- (SIZE DETERMINE ON INST)	A-D,F ,H-P, Y-AB	4
275	BRF200C3M	NUTPLATE- (V52828) (SPEC BACN10JR3CFM) (OPT F5001-3BAC (V15653)) (OPT NS103203SE02 (V80539)) (OPT T8092C1032 (V11815)) (OPT VN152D1-02 (V92215)) (OPT 109F9201-3 (V72962))	A-D,F ,H-P, Y-AB	2

71-11-32

 ILLUSTRATED PARTS LIST
 01.1 Page 1078C
 Jul 01/03

FIG. & ITEM	PART NO.	AIRLINE PART NUMBER	NOMENCLATURE 1234567	EFF CODE	QTY PER ASSY
03-280	315T3633-99	STIFFENER	A-D,F ,H-P, Y-AB	1
285	315T3633-139		..BRACKET ASSY- (USED ON ITEMS 30, 30A, 30B, 30C, 30D, 30E, 30F, 30G)	A,C, J-P,Y ,AA,A B	1
-285A	315T3633-149		..BRACKET ASSY- (USED ON ITEMS 30J, 30K, 30L)	A,C, J-P,Y ,AA,A B	1
-290	315T3633-138		..BRACKET ASSY- (USED ON ITEMS 35, 35A, 35B, 35C, 35D, 35E, 35F)	B,D,F ,H,Z	1
-290A	315T3633-150		..BRACKET ASSY- (USED ON ITEMS 35H, 35J, 35K)	B,D,F ,H,Z	1
295	HL10VAZ6-5		ATTACHING PARTS ..BOLT- (V60516) (SPEC BACB30MY6K5) (OPT B30MY6K5 (V97928))	A-D,F ,H-P, Y-AB	4
300	HL79-6		..COLLAR- (V5M902) (SPEC BACC30M6) (OPT HL79-6 (V73197)) (OPT HL79-6 (V92215)) (OPT 66014-6 (V56878)) (OPT HL79-6 (V56878))	A-D,F ,H-P, Y-AB	4

71-11-32

 ILLUSTRATED PARTS LIST
 01.1 Page 1078D
 Jul 01/03

BOEING
 COMPONENT
 MAINTENANCE MANUAL

FIG. & ITEM	PART NO.	AIRLINE PART NUMBER	NOMENCLATURE 1234567	EFF CODE	QTY PER ASSY
03-305	BACR15FT6KE		..RIVET- (SIZE DETERMINE ON INST) -----*-----	A-D,F ,H-P, Y-AB	8
310	BACR15BB3AD		...RIVET- (SIZE DETERMINE ON INST)	A-D,F ,H-P, Y-AB	4
315	BRF100C4M		...NUTPLATE- (V52828) (SPEC BACN10KB4CFM) (OPT F2001-4 (V15653)) (OPT T8113C428C (V11815)) (OPT VN151D1-048 (V92215)) (OPT 109F9207-4 (V72962)) (OPT F2001-4 (V15653))	A-D,F ,H-P, Y-AB	2
320	BACF3F009D009NN		..FILLER	A-D,F ,H-P, Y-AB	2
325	BACF3F009L046NN		..FILLER	A-D,F ,H-P, Y-AB	2
330	315T3656-15		..BOX ASSY	A,C, J-P,Y ,AA,A B	1
-335	315T3656-14		..BOX ASSY	B,D,F ,H,Z	1
340	BACR15FT6KE		ATTACHING PARTS ..RIVET- (SIZE DETERMINE ON INST) -----*-----	A-D,F ,H-P, Y-AB	6
345	BACR15BB3AD		...RIVET- (SIZE DETERMINE ON INST)	A-D,F ,H-P, Y-AB	8
350	MF6000-3		...NUTPLATE- (V15653) (SPEC BACN10KJ3)	A-D,F ,H-P, Y-AB	4

71-11-32

ILLUSTRATED PARTS LIST
 01.1 Page 1078E
 Jul 01/03

FIG. & ITEM	PART NO.	AIRLINE PART NUMBER	NOMENCLATURE 1234567	EFF CODE	QTY PER ASSY
03-355	315T3245-1		...RETAINER ASSY	A-D,F ,H-P, Y-AB	1
360	BACR15BA5AD		...RIVET- (SIZE DETERMINE ON INST)	A-D,F ,H-P, Y-AB	4
365	MS21209F8-10	INSERT	A-D,F ,H-P, Y-AB	1
370	315T3245-2	RETAINER	A-D,F ,H-P, Y-AB	1
375	315T3206-15		..FITTING ASSY-V GROOVE (OPT ITEM 375A) (USED ON ITEM 30B)	A,C, J-P,Y ,AA,A B	1
-375A	315T3206-19		..FITTING ASSY-V GROOVE (OPT ITEM 375) (USED ON ITEM 30B)	A,C, J-P,Y ,AA,A B	1
-375B	315T3206-19		..FITTING ASSY-V GROOVE (OPT ITEM 375C) (USED ON ITEMS 30C, 30F, 30G, 30J, 30K, 30L)	A,C, J-P,Y ,AA,A B	1
-375C	315T3206-29		..FITTING ASSY-V GROOVE (OPT ITEM 375B) (USED ON ITEMS 30C, 30F, 30G, 30J, 30K, 30L)	A,C, J-P,Y ,AA,A B	1
-375D	315T3206-15		..FITTING ASSY-V GROOVE (USED ON ITEMS 30, 30A, 30E)	A,C, J-P,Y ,AA,A B	1

71-11-32

 ILLUSTRATED PARTS LIST
 01.1 Page 1078F
 Jul 01/03


BOEING
 COMPONENT
 MAINTENANCE MANUAL

FIG. & ITEM	PART NO.	AIRLINE PART NUMBER	NOMENCLATURE 1234567	EFF CODE	QTY PER ASSY
03- -375E	315T3206-15		..FITTING ASSY-V GROOVE (OPT ITEMS 375F, 375G) (USED ON ITEM 30D)	A,C, J-P,Y ,AA,A B	1
-375F	315T3206-19		..FITTING ASSY-V GROOVE (OPT ITEMS 375E, 375G) (USED ON ITEM 30D)	A,C, J-P,Y ,AA,A B	1
-375G	315T3206-29		..FITTING ASSY-V GROOVE (OPT ITEMS 375E, 375F) (USED ON ITEM 30D)	A,C, J-P,Y ,AA,A B	1
-380	315T3206-16		..FITTING ASSY-V GROOVE (OPT ITEM 380A) (USED ON ITEM 35B)	B,D,F ,H,Z	1
-380A	315T3206-20		..FITTING ASSY-V GROOVE (OPT ITEM 380) (USED ON ITEM 35B)	B,D,F ,H,Z	1
-380B	315T3206-16		..FITTING ASSY-V GROOVE (USED ON ITEMS 35, 35A, 35C)	B,D,F ,H,Z	1
-380C	315T3206-30		..FITTING ASSY-V GROOVE (USED ON ITEMS 35D, 35F, 35G, 35H, 35K)	B,D,F ,H,Z	1
-380D	315T3206-16		..FITTING ASSY-V GROOVE (OPT ITEMS 380E, 380F) (USED ON ITEM 35E)	B,D,F ,H,Z	1
-380E	315T3206-20		..FITTING ASSY-V GROOVE (OPT ITEMS 380D, 380F) (USED ON ITEM 35E)	B,D,F ,H,Z	1
-380F	315T3206-30		..FITTING ASSY-V GROOVE (OPT ITEMS 380D, 380E) (USED ON ITEM 35E)	B,D,F ,H,Z	1

71-11-32

ILLUSTRATED PARTS LIST

01.1 Page 1078G

Jul 01/03

FIG. & ITEM	PART NO.	AIRLINE PART NUMBER	NOMENCLATURE 1234567	EFF CODE	QTY PER ASSY
03-385	BACR15CE3D		...RIVET- (SIZE DETERMINE ON INST)	A-D,F ,H-P, Y-AB	24
390	NS103191SE02-2		...NUTPLATE- (V80539) (SPEC BACN10KE3B2CM) (OPT F51747-3-2DL (V15653)) (OPT 104F9213-2-3 (V72962)) (OPT 104F9213-2-3 (V72962))	A-D,F ,H-P, Y-AB	12
395	315T3206-17		...FITTING- (USED ON ITEMS 375, 375D, 375E)	A,C, J-P,Y ,AA,A B	1
-395A	315T3206-21		...FITTING- (USED ON ITEMS 375A, 375B, 375F)	A,C, J-P,Y ,AA,A B	1
-395B	315T3206-27		...FITTING- (USED ON ITEMS 375C, 375G)	A,C, J-P,Y ,AA,A B	1
-400	315T3206-18		...FITTING- (USED ON ITEMS 380, 380B, 380D)	B,D,F ,H,Z	1
-400A	315T3206-22		...FITTING- (USED ON ITEMS 380A, 380E)	B,D,F ,H,Z	1
-400B	315T3206-28		...FITTING- (USED ON ITEMS 380C, 380F)	B,D,F ,H,Z	1

71-11-32

 ILLUSTRATED PARTS LIST
 01.1 Page 1078H
 Jul 01/03


BOEING
 COMPONENT
 MAINTENANCE MANUAL

FIG. & ITEM	PART NO.	AIRLINE PART NUMBER	NOMENCLATURE 1234567	EFF CODE	QTY PER ASSY
03-405	315T3314-7		..FITTING ASSY-ATTACH	A,C, J-P,Y ,AA,A B	1
-410	315T3314-8		..FITTING ASSY-ATTACH	B,D,F ,H,Z	1
415	HL10VAZ6-4		ATTACHING PARTS ..BOLT- (V60516) (SPEC BACB30MY6K4) (OPT B30MY6K4 (V97928))	A-D,F ,H-P, Y-AB	7
420	HL10VAZ6-5		..BOLT- (V60516) (SPEC BACB30MY6K5) (OPT B30MY6K5 (V97928))	A-D,F ,H-P, Y-AB	17
425	L8006K6		..BOLT- (V06725) (SPEC BACB30MY6K6) (OPT HL10VAZ6-6 (VOPTK6))	A-D,F ,H-P, Y-AB	3
430	HL79-6		..COLLAR- (V5M902) (SPEC BACC30M6) (OPT HL79-6 (V73197)) (OPT HL79-6 (V92215)) (OPT 66014-6 (V56878)) (OPT HL79-6 (V56878))	A-D,F ,H-P, Y-AB	27
435	HL10VAZ8-6		..BOLT- (V60516) (SPEC BACB30MY8K6) (OPT B30MY8K6 (V97928))	A-D,F ,H-P, Y-AB	1

71-11-32

ILLUSTRATED PARTS LIST

01.1 Page 1078I

Jul 01/03

FIG. & ITEM	PART NO.	AIRLINE PART NUMBER	NOMENCLATURE 1234567	EFF CODE	QTY PER ASSY
03-440	HL10VAZ8-7		..BOLT- (V60516) (SPEC BACB30MY8K7) (OPT B30MY8K7 (V97928))	A-D,F ,H-P, Y-AB	1
445	HL79-8		..COLLAR- (V5M902) (SPEC BACC30M8) (OPT HL79-8 (V73197)) (OPT HL79-8 (V92215)) (OPT 66014-8 (V56878)) (OPT HL79-8 (V56878))	A-D,F ,H-P, Y-AB	2
450	BACB30NR4K7		..BOLT	A-D,F ,H-P, Y-AB	1
455	AN96OPD416L		..WASHER	A-D,F ,H-P, Y-AB	1
460	BRH10A4		..NUT- (V52828) (SPEC BACN10JC4) (OPT T6S428J (V11815)) (OPT 96-048 (V80539)) (OPT VN303A048 (V92215)) (OPT RMLH9075-4W (V72962)) (OPT NS202101-048 (V80539)) (OPT H10-4BAC (V15653)) -----*	A-D,F ,H-P, Y-AB	1
465	315T3315-1		...BUSHING	A-D,F ,H-P, Y-AB	2
470	315T3314-9		...FITTING	A,C, J-P,Y ,AA,A B	1

71-11-32

ILLUSTRATED PARTS LIST

01.1 Page 1078J

Jul 01/03


BOEING
 COMPONENT
 MAINTENANCE MANUAL

FIG. & ITEM	PART NO.	AIRLINE PART NUMBER	NOMENCLATURE 1234567	EFF CODE	QTY PER ASSY
03- -475	315T3314-10		...FITTING	B,D,F ,H,Z	1
480	315T3704-1		..BRACKET ASSY	A-D,F ,H-P, Y-AB	1
485	NAS1398CW6-5		ATTACHING PARTS ..RIVET -----*-----	A-D,F ,H-P, Y-AB	2
490	BACR15BA3AD2		...RIVET	A-D,F ,H-P, Y-AB	4
495	BR1000A3		...NUTPLATE- (V52828) (SPEC BACN10KB3) (OPT K2000-3 (V15653)) (OPT RMA9207-3 (V72962)) (OPT T8109S1032 (V11815)) (OPT VN101A1-02 (V92215)) (OPT K2000-3 (V15653))	A-D,F ,H-P, Y-AB	2
500	315T3704-2		...BRACKET	A-D,F ,H-P, Y-AB	1
502	BACR15CE5KE		DELETED		
504	315T3202-104		..SEAL	A,C, J-P,Y ,AA,A B	1

71-11-32

ILLUSTRATED PARTS LIST

01.1 Page 1078K

Jul 01/03

FIG. & ITEM	PART NO.	AIRLINE PART NUMBER	NOMENCLATURE 1234567	EFF CODE	QTY PER ASSY
03-505	315T3202-48		..SEAL- (OPT ITEM 505B) (USED ON ITEMS 30, 30A, 30B, 30E, 35, 35A, 35B, 35C)	A-D,F ,H-P, Y-AB	1
-505A	315T3202-100		..SEAL- (USED ON ITEMS 30C, 30D, 30F, 30G, 30J, 30K, 30L, 35D, 35E, 35F, 35H, 35J, 35K)	A-D,F ,H-P, Y-AB	1
-505B	315T3202-100		..SEAL- (OPT ITEM 505) (USED ON ITEMS 30, 30A, 30B, 30E, 35, 35A, 35B, 35C)	A-D,F ,H-P, Y-AB	1
506	HL10VAZ5-3		..BOLT- (V60516) (SPEC BACB30MY5K3) (OPT B30MY5K3 (V97928))	A-D,F ,H-P, Y-AB	175
506L	HL10VAZ5-3		..BOLT- (V60516) (SPEC BACB30MY5K3) (OPT B30MY5K3 (V97928))	A,C, J-P,Y ,AA,A B	5
-506Q	HL10VAZ5-4		..BOLT- (V60516) (SPEC BACB30MY5K4) (OPT B30MY5K4 (V97928))	B,D,F ,H,Z	5

71-11-32

 ILLUSTRATED PARTS LIST
 01.1 Page 1078L
 Jul 01/03


BOEING
 COMPONENT
 MAINTENANCE MANUAL

FIG. & ITEM	PART NO.	AIRLINE PART NUMBER	NOMENCLATURE 1234567	EFF CODE	QTY PER ASSY
03-507	HL79-5		..COLLAR- (V5M902) (SPEC BACC30M5) (OPT HL70-5 (V73197)) (OPT HL70-5 (V92215)) (OPT 66014-5 (V56878)) (OPT HL70-5 (V56878))	A-D,F ,H-P, Y-AB	180
508	315T3202-59		..RETAINER-SEAL (USED ON ITEMS 30, 30A, 30B, 30E)	A,C, J-P,Y ,AA,A B	1
-508A	315T3202-101		..RETAINER-SEAL (USED ON ITEMS 30C, 30F, 30G, 30J, 30K, 30L)	A,C, J-P,Y ,AA,A B	1
-508B	315T3202-59		..RETAINER-SEAL (OPT ITEM 508C) (USED ON ITEM 30D)	A,C, J-P,Y ,AA,A B	1
-508C	315T3202-101		..RETAINER-SEAL (OPT ITEM 508B) (USED ON ITEM 30D)	A,C, J-P,Y ,AA,A B	1
-509	315T3202-60		..RETAINER-SEAL (USED ON ITEMS 35, 35A, 35B, 35C)	B,D,F ,H,Z	1
-509A	315T3202-102		..RETAINER-SEAL (USED ON ITEMS 35D, 35F, 35H, 35J, 35K)	B,D,F ,H,Z	1
-509B	315T3202-60		..RETAINER-SEAL (OPT ITEM 509C) (USED ON ITEM 35E)	B,D,F ,H,Z	1
-509C	315T3202-102		..RETAINER-SEAL (OPT ITEM 509B) (USED ON ITEM 35E)	B,D,F ,H,Z	1

71-11-32

 ILLUSTRATED PARTS LIST
 01.1 Page 1078M
 Jul 01/03

FIG. & ITEM	PART NO.	AIRLINE PART NUMBER	NOMENCLATURE 1234567	EFF CODE	QTY PER ASSY
03-510	315T3201-5		..STRIP ASSY-RUB (USED ON ITEMS 30, 30A)	A,C, J-P,Y ,AA,A B	1
510A	315T3201-21		DELETED		
510B	315T3201-28		..STRIP ASSY-RUB (USED ON ITEMS 30B, 30C, 30D, 30E, 30F, 30G, 30J, 30K, 30L)	A,C, J-P,Y ,AA,A B	1
-515	315T3201-6		..STRIP ASSY-RUB (USED ON ITEMS 35, 35A)	B,D,F ,H,Z	1
-515A	315T3201-22		DELETED		
-515B	315T3201-29		..STRIP ASSY-RUB (USED ON ITEMS 35B, 35C, 35D, 35E, 35F, 35H, 35J, 35K)	B,D,F ,H,Z	1
520	BACB30LR3-6		ATTACHING PARTS ..BOLT	A-D,F ,H-P, Y-AB	4
525	BACB30LK3-2		..BOLT-*(1) (USED WITH ITEMS 530, 535)	A-D,F ,H-P, Y-AB	2
530	AN960PD10L		..WASHER-*(1) (USED WITH ITEM 525)	A-D,F ,H-P, Y-AB	2
535	H10-3BAC		..NUT-*(1) (V15653) (SPEC BACN10JC3) (OPT NS202101-02 (V80539)) (OPT RMLH9075-3W (V72962)) (OPT T6S1032J (V71087)) (OPT VN303A02 (V92215)) (OPT 96-02 (V80539)) (OPT BRH10A3 (V52828)) (USED WITH ITEM 525)	A-D,F ,H-P, Y-AB	2

71-11-32

 ILLUSTRATED PARTS LIST
 01.1 Page 1078N
 Jul 01/03


BOEING
 COMPONENT
 MAINTENANCE MANUAL

FIG. & ITEM	PART NO.	AIRLINE PART NUMBER	NOMENCLATURE 1234567	EFF CODE	QTY PER ASSY
03-540	BACB30LR3-5		..BOLT-*(2) (OPT ITEM 540A)	A-D,F ,H-P, Y-AB	1
-540A	BACB30LH3-5		..BOLT-*(2) (OPT ITEM 540)	A-D,F ,H-P, Y-AB	1
			-----*-----		
545	BACR15BA5A		...RIVET- (SIZE DETERMINE ON INST) (USED ON ITEMS 510, 515)	A-D,F ,H-P, Y-AB	20
545A	BACR15BA5A		...RIVET- (SIZE DETERMINE ON INST) (USED ON ITEMS 510B, 515B)	A-D,F ,H-P, Y-AB	15
550	315T3201-8		...SUPPORT- (USED ON ITEMS 510, 515)	A-D,F ,H-P, Y-AB	1
555	315T3201-9		...STRIP- (USED ON ITEM 510)	A-D,F ,H-P, Y-AB	1
555A	315T3201-23		DELETED		
555B	315T3201-30		...STRIP- (USED ON ITEM 510B)	A,C, J-P,Y ,AA,A B	1
-560	315T3201-12		...STRIP- (USED ON ITEM 515)	B,D,F ,H,Z	1
-560A	315T3201-24		DELETED		
-560B	315T3201-31		...STRIP- (USED ON ITEM 515B)	B,D,F ,H,Z	1
565	315T3201-13		...STRIP-RUB (USED ON ITEM 510)	A,C, J-P,Y ,AA,A B	1

71-11-32

 ILLUSTRATED PARTS LIST
 01.1 Page 10780
 Jul 01/03

FIG. & ITEM	PART NO.	AIRLINE PART NUMBER	NOMENCLATURE 1234567	EFF CODE	QTY PER ASSY
03-565A	315T3201-25		...STRIP-RUB (USED ON ITEM 510B)	A,C, J-P,Y ,AA,A B	1
-570	315T3201-14		...STRIP-RUB (USED ON ITEM 515)	B,D,F ,H,Z	1
-570A	315T3201-26		...STRIP-RUB (USED ON ITEM 515B)	B,D,F ,H,Z	1
575	BACB30LR3-6		..BOLT	A-D,F ,H-P, Y-AB	28
580	315T3201-7		..STRIP-RUB	A-D,F ,H-P, Y-AB	5
585	315T3201-10		..STRIP-RUB	A,C, J-P, Y-AB	1
-590	315T3201-11		..STRIP-RUB (USED ON ITEMS 35, 35A)	B,D,F ,H,Z	1
-590A	315T3201-20		..STRIP-RUB (USED ON ITEMS 35B, 35C, 35D, 35E, 35F, 35H, 35K)	B,D,F ,H,Z	1
-590B	315T3201-27		..STRIP-RUB (USED ON ITEM 35J)	B,D,F ,H,Z	1
595	BACR15BB3AD		..RIVET- (SIZE DETERMINE ON INST)	A-D,F ,H-P, Y-AB	64
600	F5000-3BAC		..NUTPLATE- (V15653) (SPEC BACN10JR3F) (OPT NS103203-02 (V80539)) (OPT RMF9201-3 (V72962)) (OPT T8091S1032 (V11815)) (OPT VN152A1-02 (V92215)) (OPT BRF200A3 (V52828))	A-D,F ,H-P, Y-AB	32

71-11-32

 ILLUSTRATED PARTS LIST
 01.1 Page 1078P
 Jul 01/03


BOEING
 COMPONENT
 MAINTENANCE MANUAL

FIG. & ITEM	PART NO.	AIRLINE PART NUMBER	NOMENCLATURE 1234567	EFF CODE	QTY PER ASSY
03-605	BACB30LJ4-3		..BOLT	A-D, F , H-P, Y-AB	6
610	BACR15BB3AD		..RIVET- (SIZE DETERMINE ON INST)	A-D, F , H-P, Y-AB	12
615	BRFM20C4M		..NUTPLATE- (V52828) (SPEC BACN10JN4CM) (OPT MF1001-4BAC (V15653)) (OPT NS103218SE048 (V80539)) (OPT VN252D048 (V92215)) (OPT 109F9201M4 (V72962)) (OPT T8125C4C (V11815)) (OPT T8125C4C (V11815))	A-D, F , H-P, Y-AB	6
620	BAC27TTR0025		..MARKER-ALUMINUM FOIL-GSE HOIST POINT	A-D, F , H-P, Y-AB	4
625	BAC27TTR0036		..MARKER-ALUMINUM FOIL	A-D, F , H-P, Y-AB	1
630	BAC27TTR0039		..MARKER-ALUMINUM FOIL (USED ON ITEMS 30, 30A, 30B, 30C, 30D, 30E, 30F, 35, 35A, 35B, 35C, 35D, 35E)	A-D, F , H-P, Y-AB	1

71-11-32

ILLUSTRATED PARTS LIST

01.1 Page 1078Q

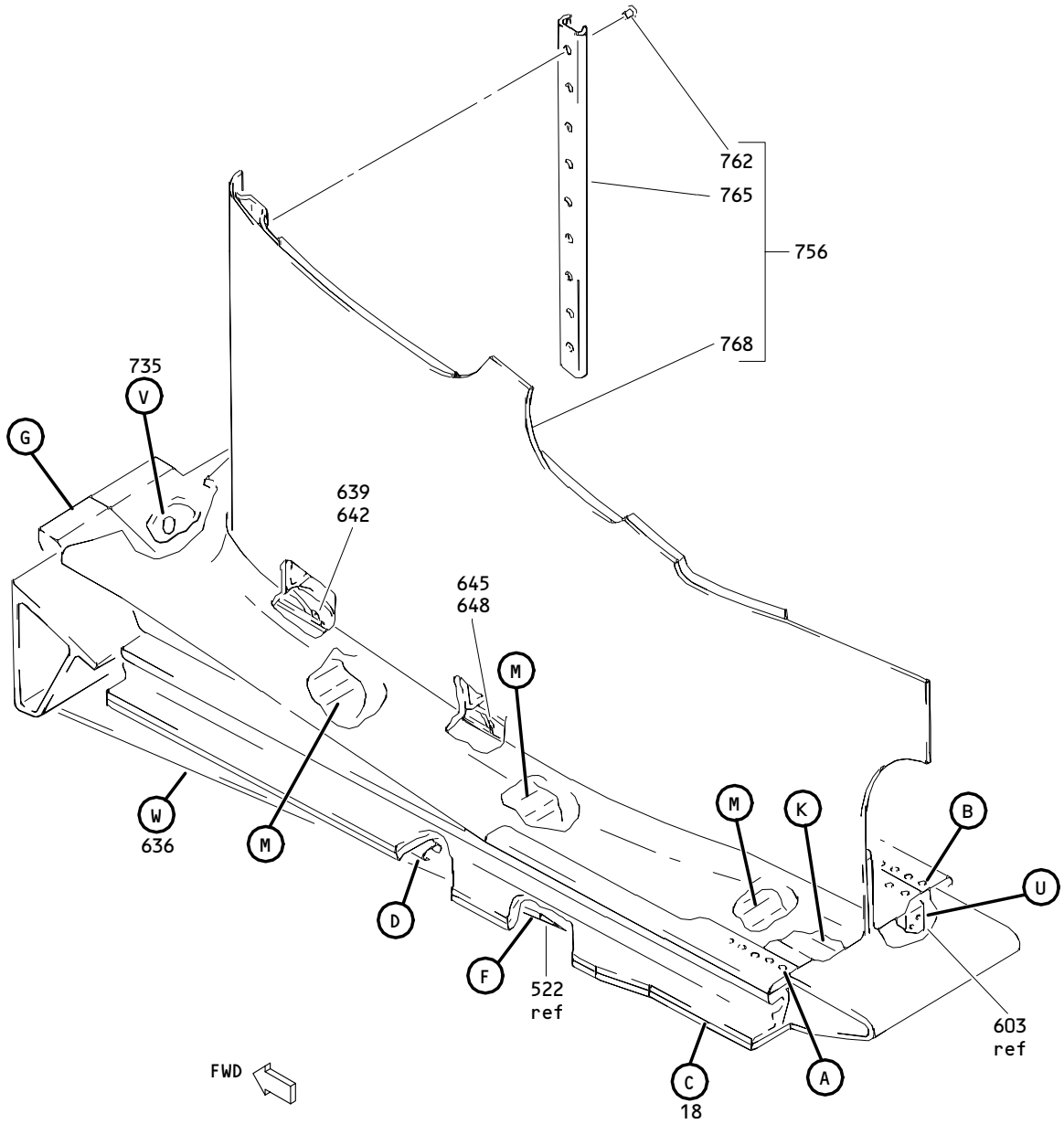
Jul 01/03

FIG. & ITEM	PART NO.	AIRLINE PART NUMBER	NOMENCLATURE	EFF CODE	QTY PER ASSY
03-630A	BAC27TTR0042		1234567 ..MARKER-ALUMINUM FOIL (USED ON ITEMS 30G, 30J, 30K, 30L, 35F, 35H, 35J, 35K) *(1) THIS HARDWARE USED ON 315T3202-5001,-5002,-5003 -5004 *(2) THIS HARDWARE USED ON 315T3202-5005, -5006, -5008 -5009, -5010, -5011, -5012, -5013, -5017, -5018, -5019, -5023, -5024, -5033, -5034, -5037, -5038.	A-D,F ,H-P, Y-AB	1

- Item Not Illustrated

71-11-32

ILLUSTRATED PARTS LIST
 01.1 Page 1078R
 Jul 01/03

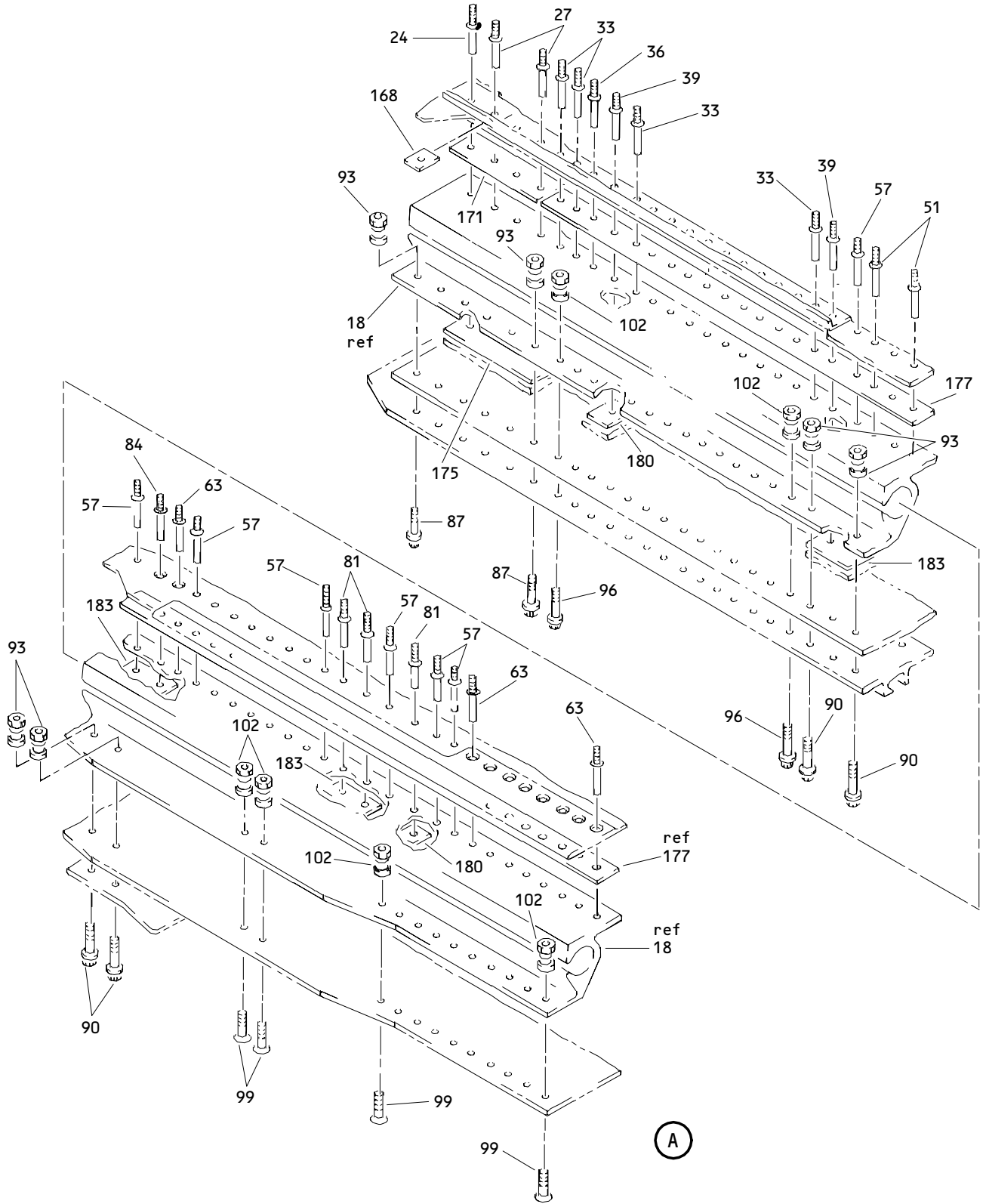


Lower LH and RH Bifurcation Assembly
 Figure 4 (Sheet 1)

71-11-32

ILLUSTRATED PARTS LIST
 01.1 Page 1078T
 Jul 01/03

BOEING
**COMPONENT
 MAINTENANCE MANUAL**

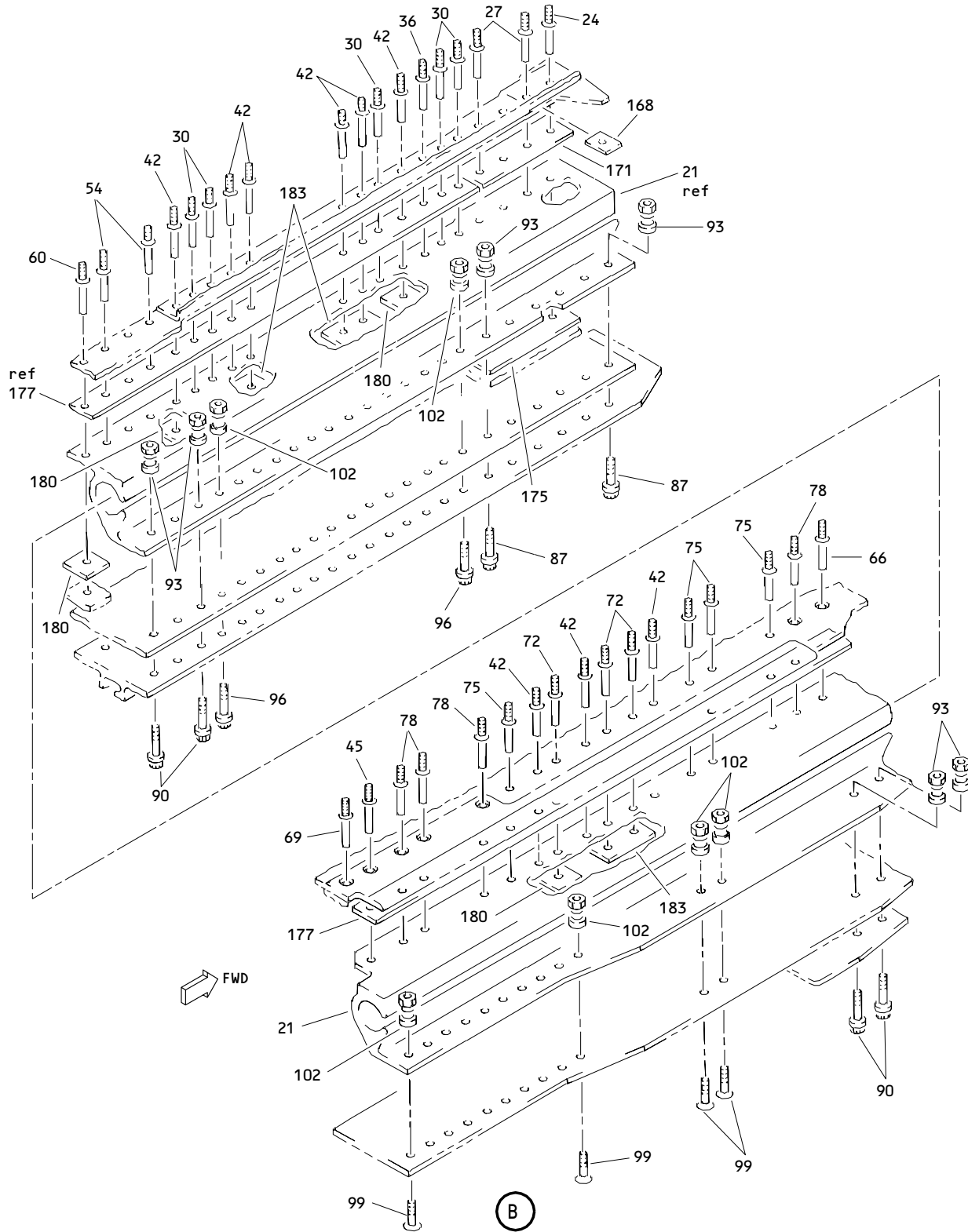


Lower LH and RH Bifurcation Assembly
 Figure 4 (Sheet 2)

71-11-32

ILLUSTRATED PARTS LIST
 01.1 Page 1078U
 Jul 01/03

COMPONENT
MAINTENANCE MANUAL

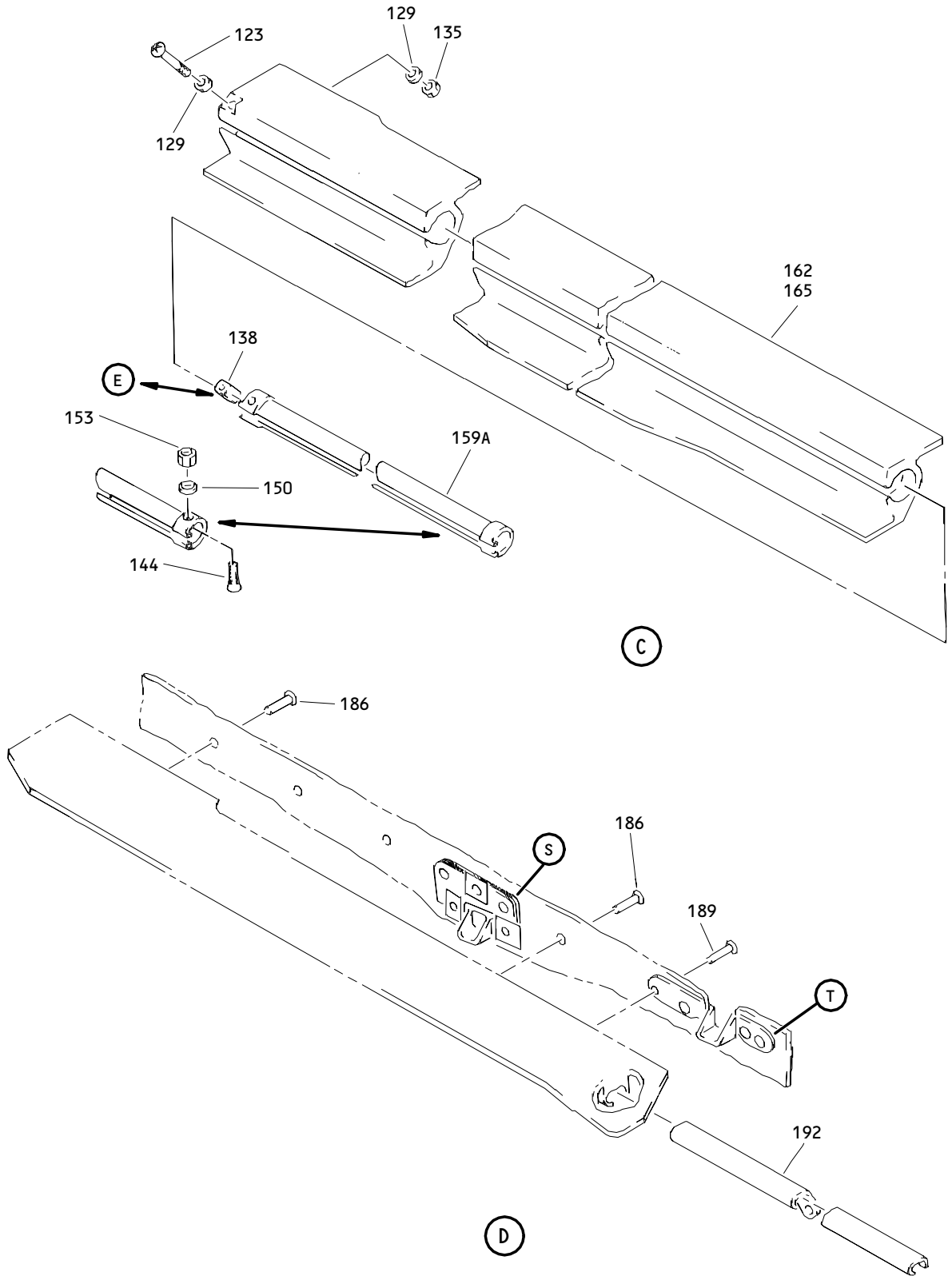


Lower LH and RH Bifurcation Assembly
Figure 4 (Sheet 3)

71-11-32

ILLUSTRATED PARTS LIST
01.1 Page 1078V
Jul 01/03

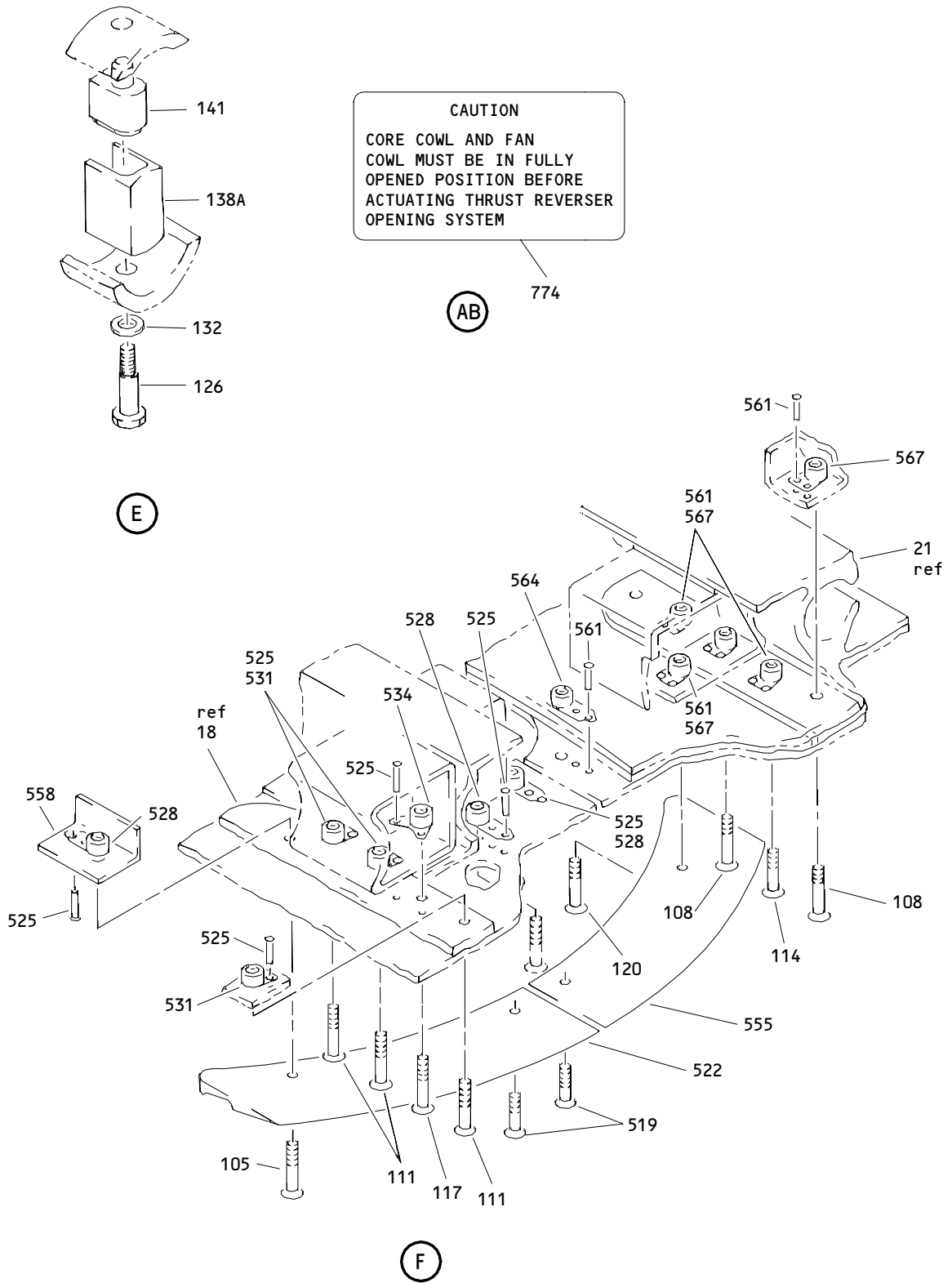
BOEING
COMPONENT
MAINTENANCE MANUAL



Lower LH and RH Bifurcation Assembly
Figure 4 (Sheet 4)

71-11-32

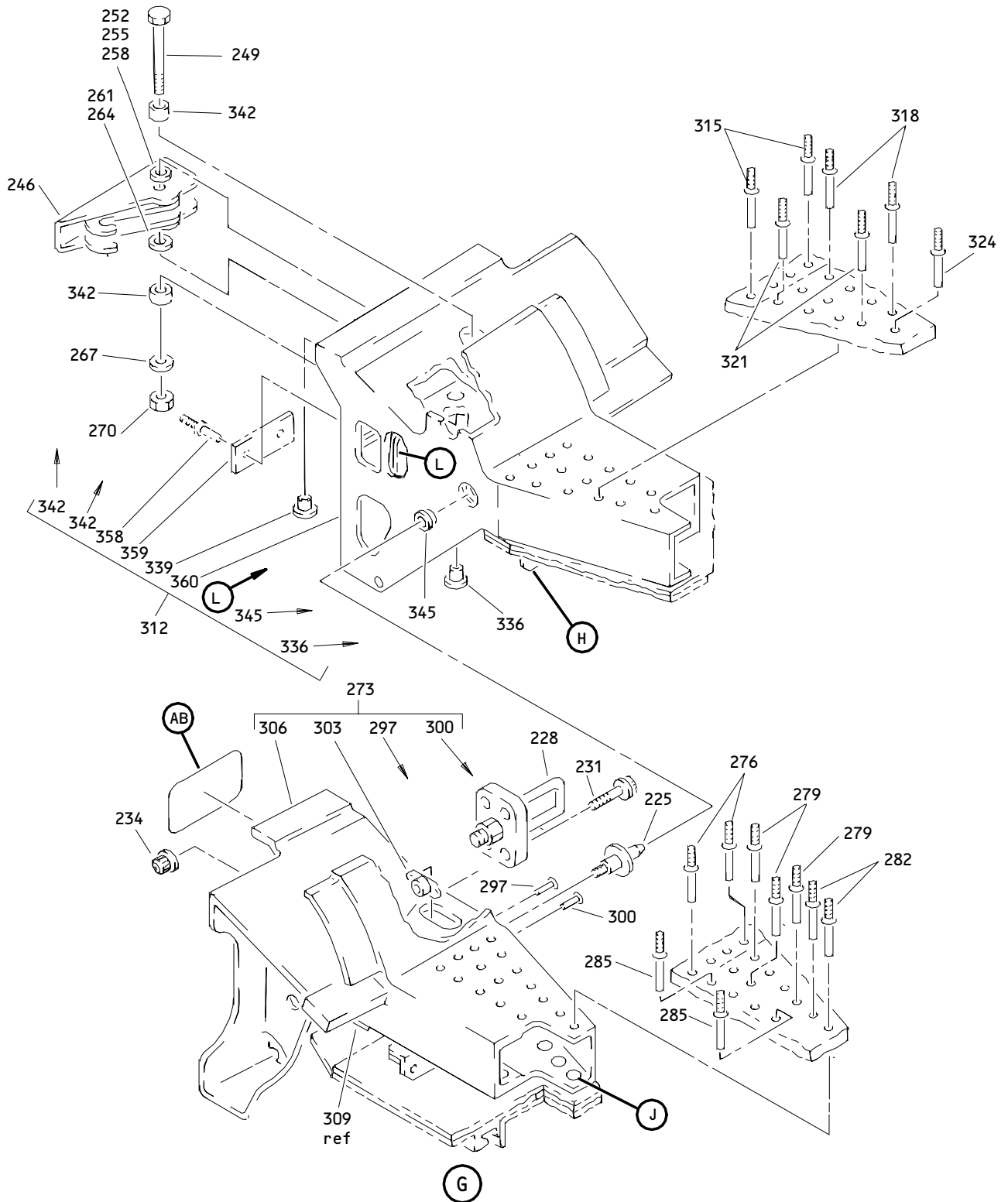
ILLUSTRATED PARTS LIST
01.1 Page 1078W
Jul 01/03



Lower LH and RH Bifurcation Assembly
 Figure 4 (Sheet 5)

71-11-32

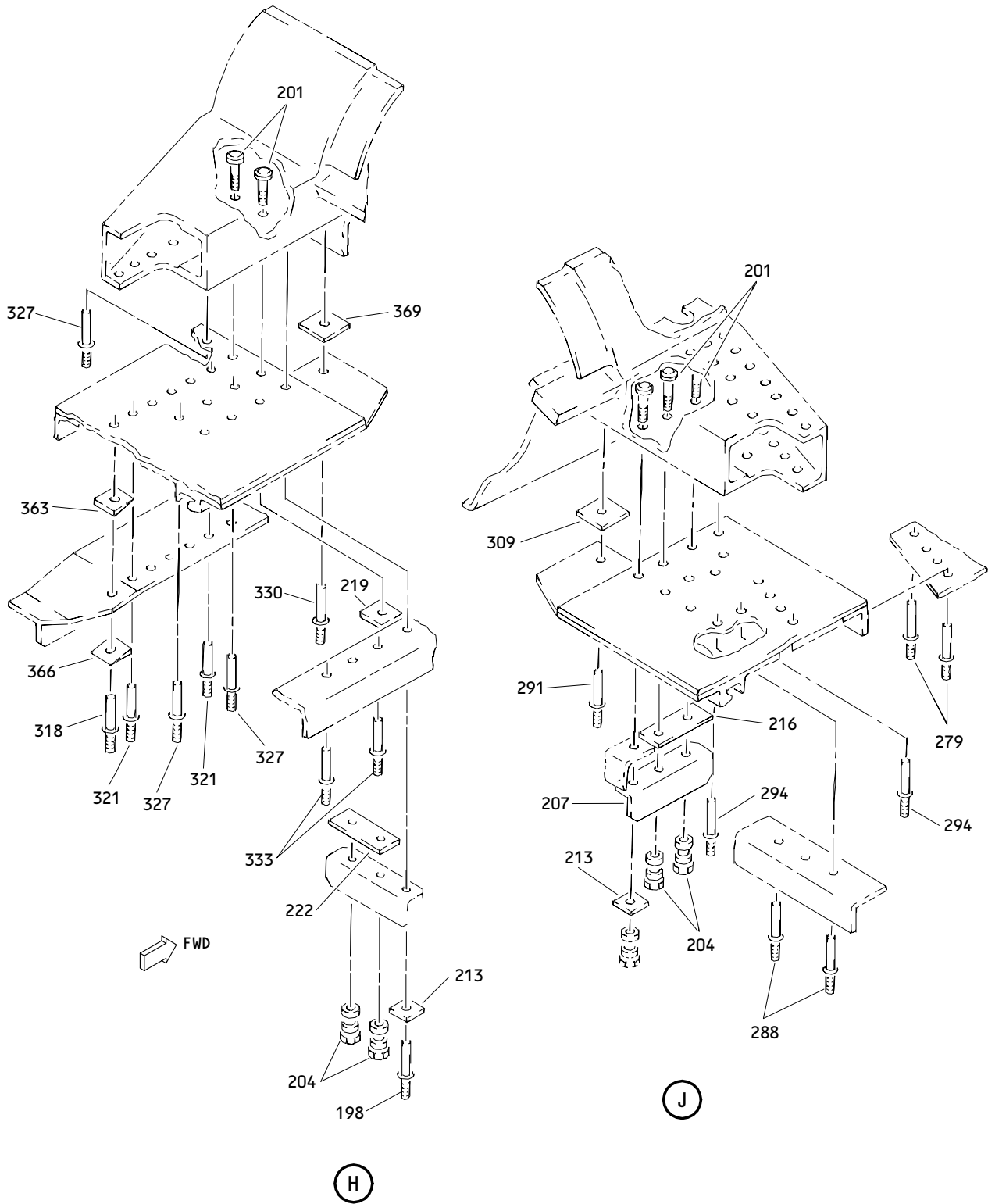
ILLUSTRATED PARTS LIST
 01.1 Page 1078X
 Jul 01/03



(G)
 Lower LH and RH Bifurcation Assembly
 Figure 4 (Sheet 6)

71-11-32

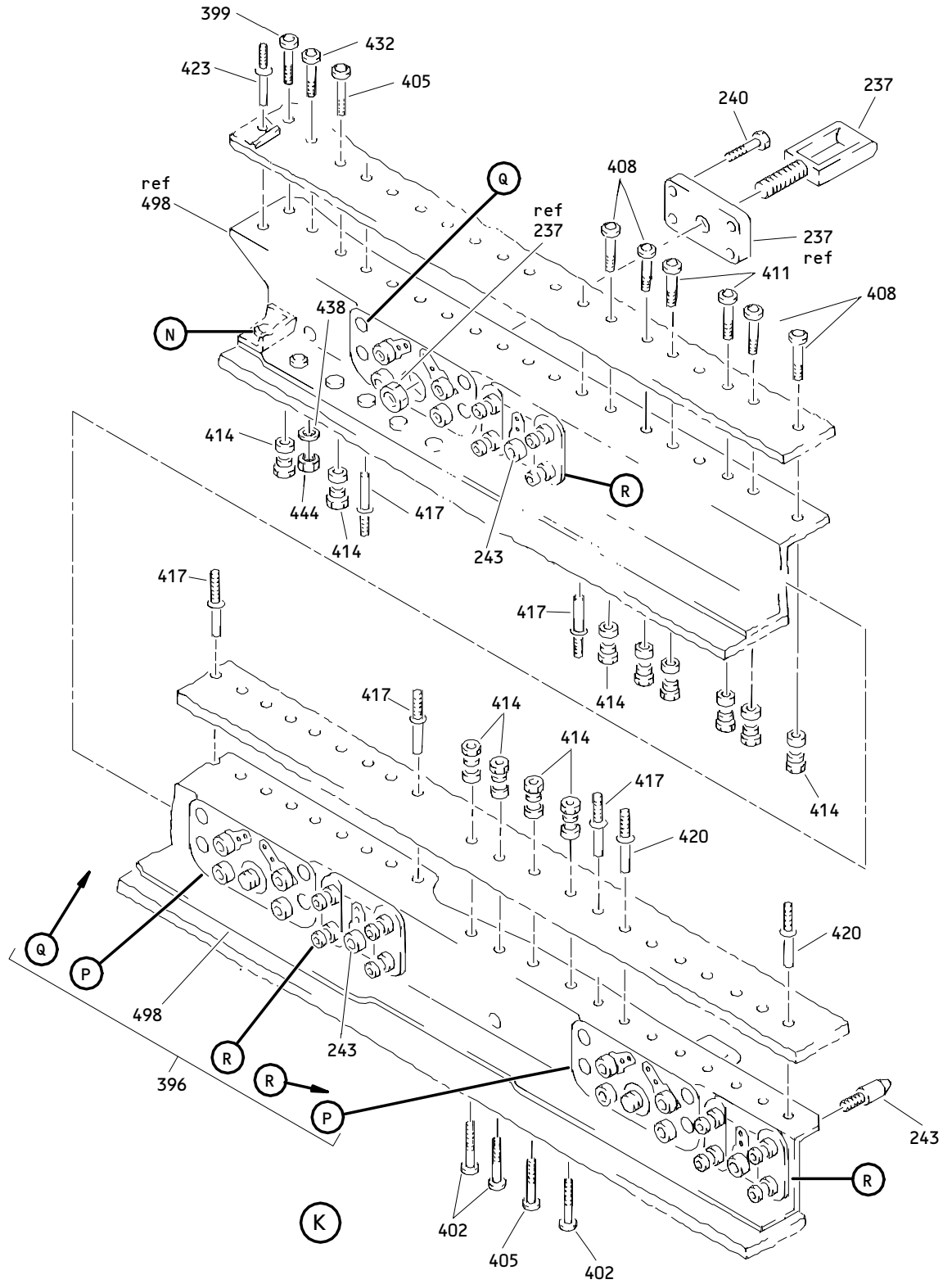
ILLUSTRATED PARTS LIST
 01.1 Page 1078Y
 Jul 01/03



(H)
 Lower LH and RH Bifurcation Assembly
 Figure 4 (Sheet 7)

71-11-32

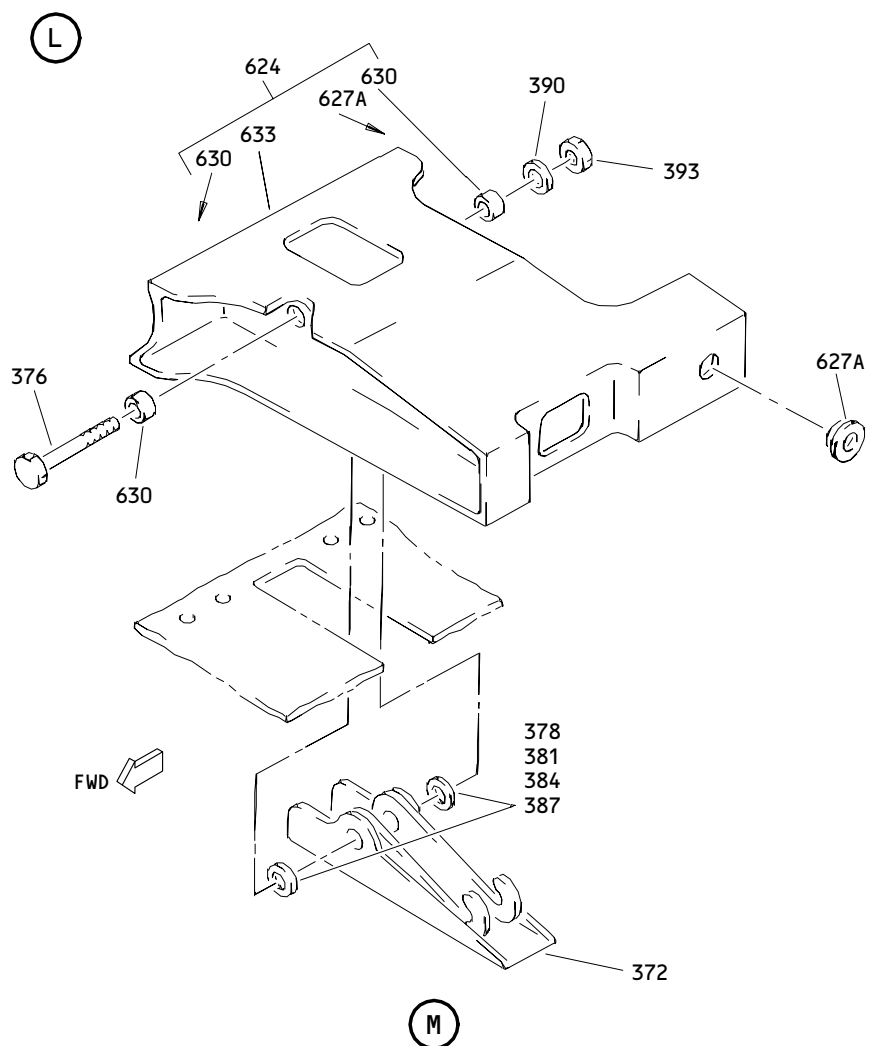
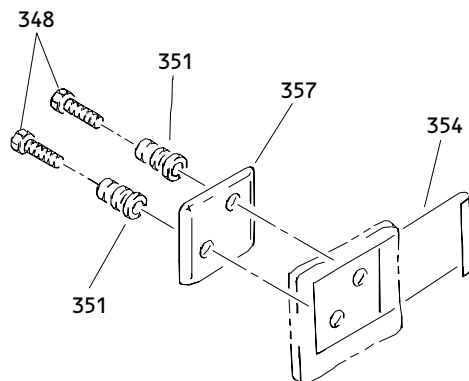
ILLUSTRATED PARTS LIST
 01.1 Page 1078Z
 Jul 01/03



Lower LH and RH Bifurcation Assembly
Figure 4 (Sheet 8)

71-11-32

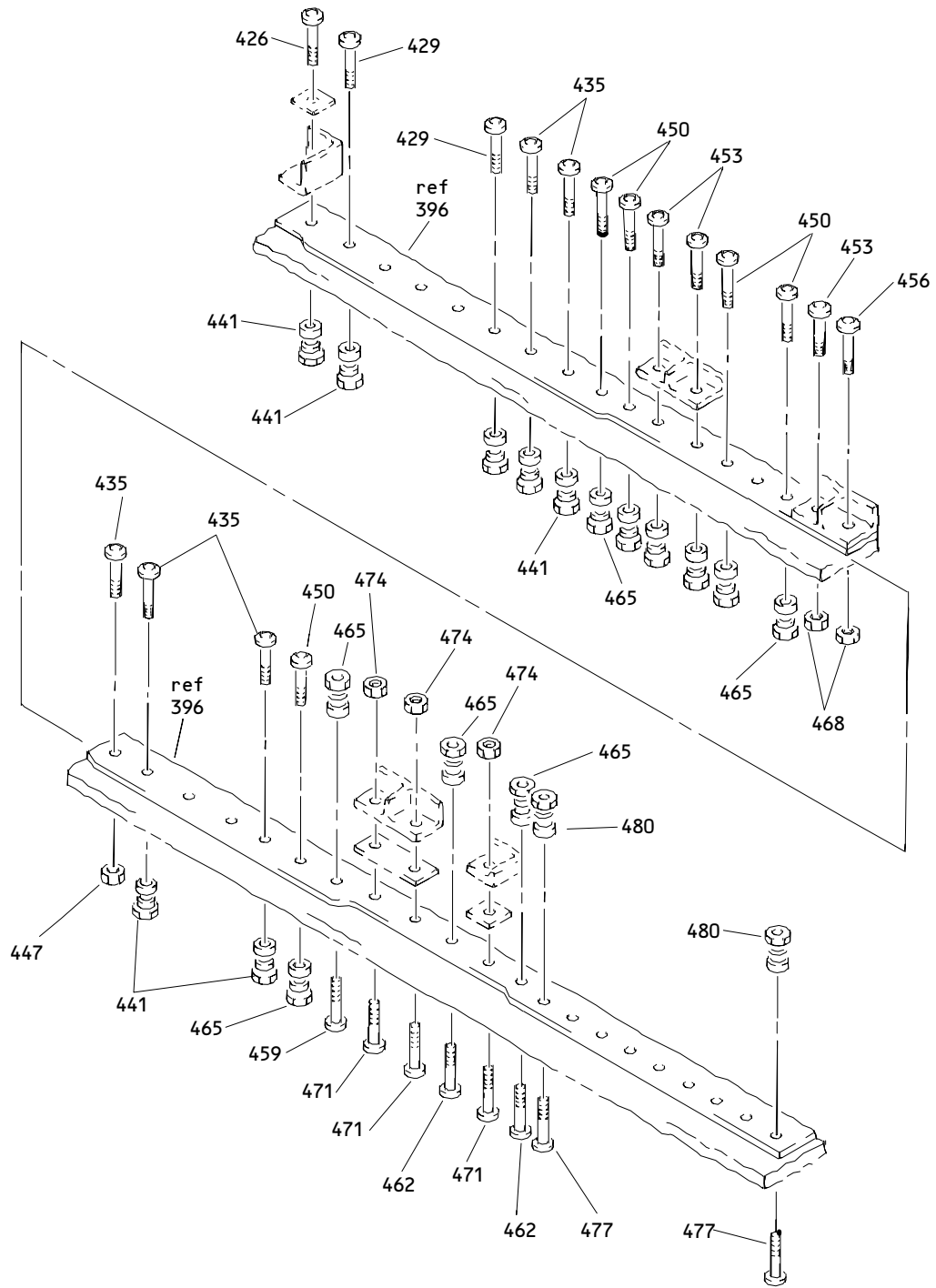
ILLUSTRATED PARTS LIST
01.1 Page 1079
Jul 01/03



Lower LH and RH Bifurcation Assembly
 Figure 4 (Sheet 9)

71-11-32

ILLUSTRATED PARTS LIST
 01.1 Page 1080
 Jul 01/03

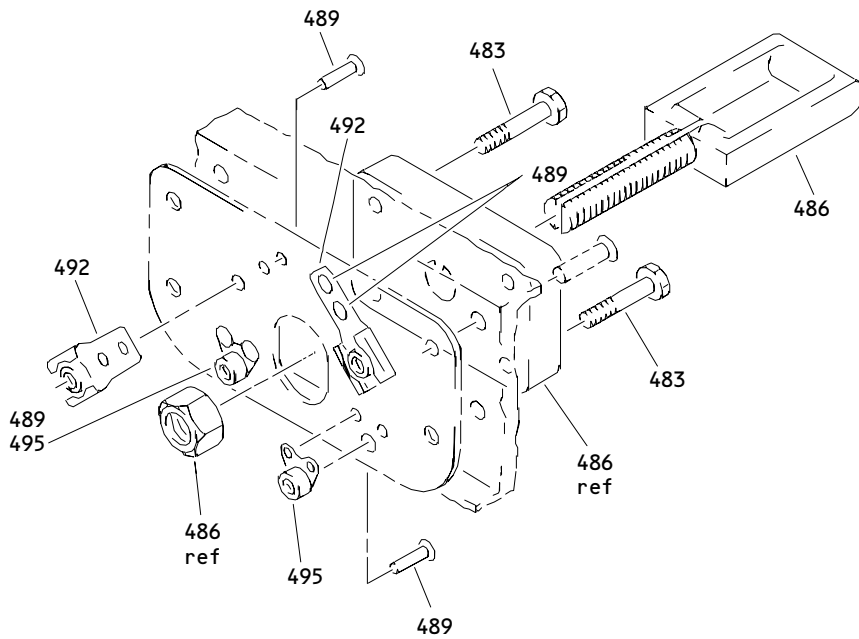


(N)

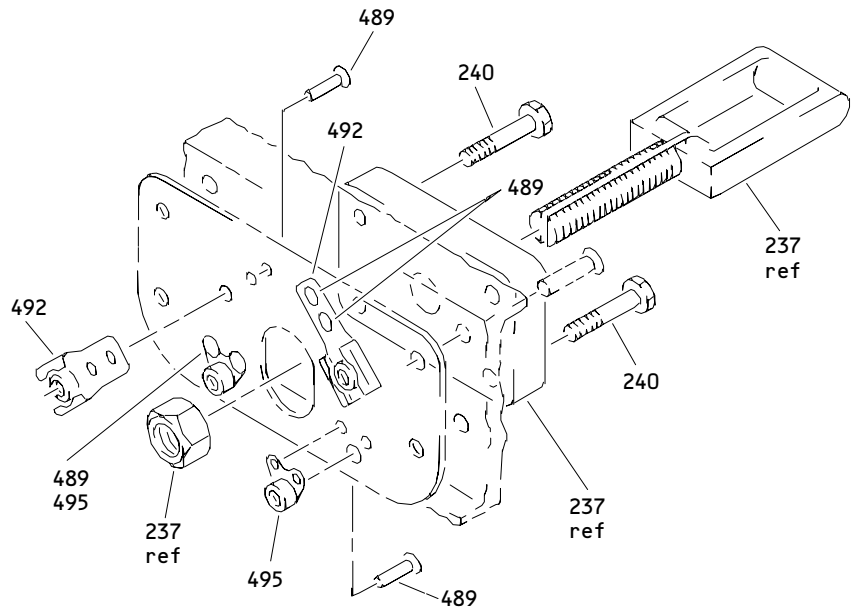
Lower LH and RH Bifurcation Assembly
Figure 4 (Sheet 10)

71-11-32

ILLUSTRATED PARTS LIST
01.1 Page 1080A
Jul 01/03



(P)

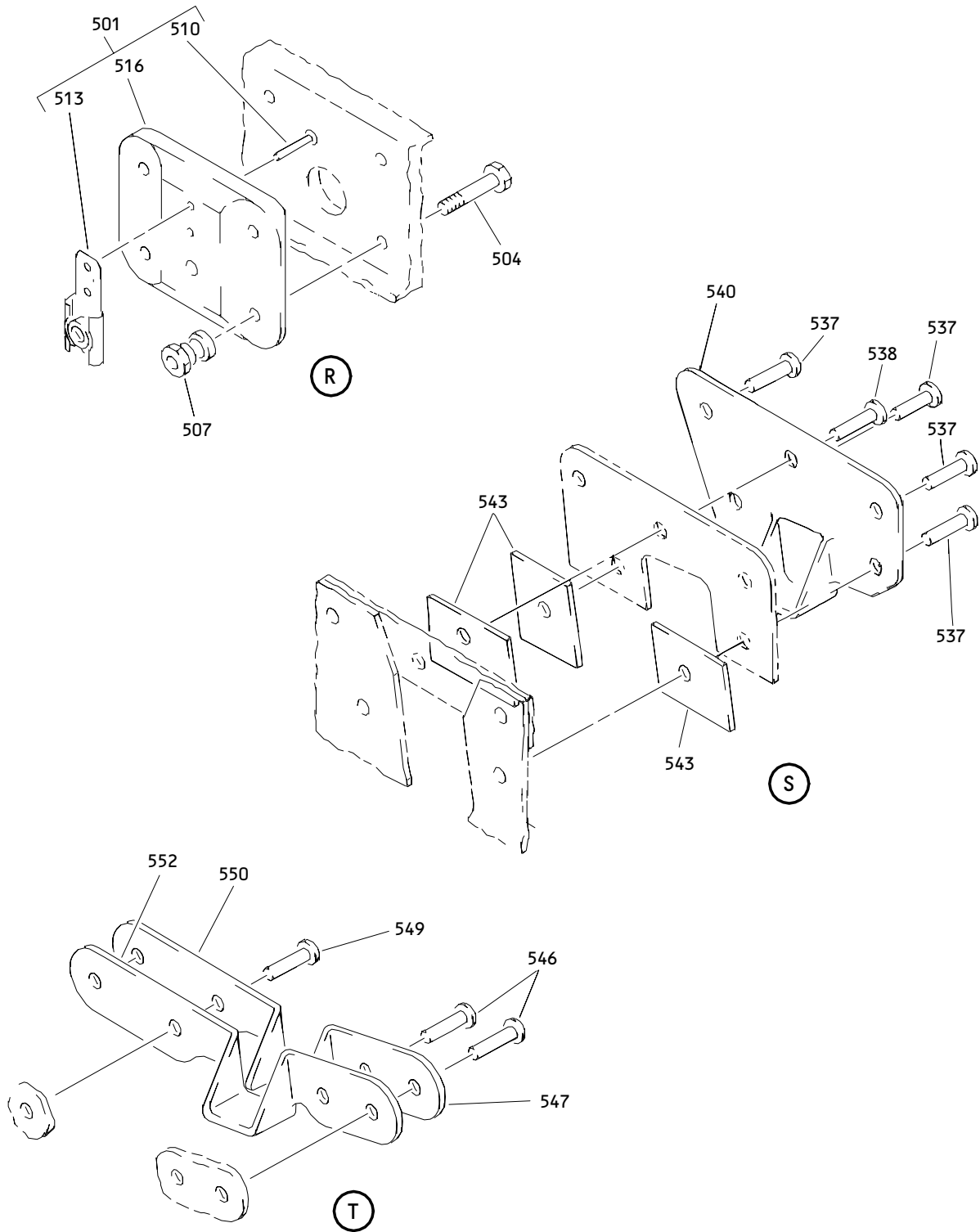


(Q)

Lower LH and RH Bifurcation Assembly
 Figure 4 (Sheet 11)

71-11-32

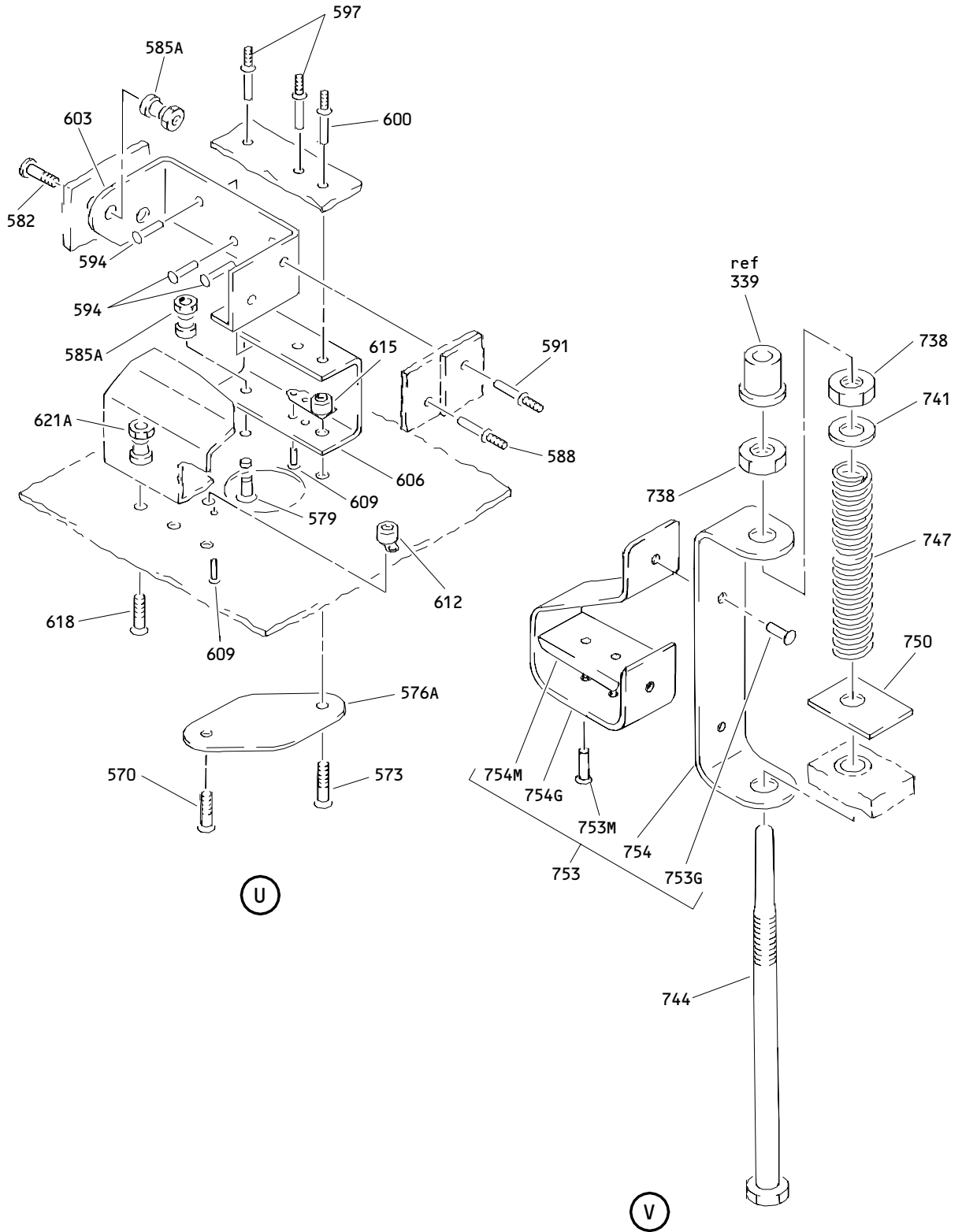
ILLUSTRATED PARTS LIST
 01.1 Page 1080B
 Jul 01/03



Lower LH and RH Bifurcation assembly
Figure 4 (Sheet 12)

71-11-32

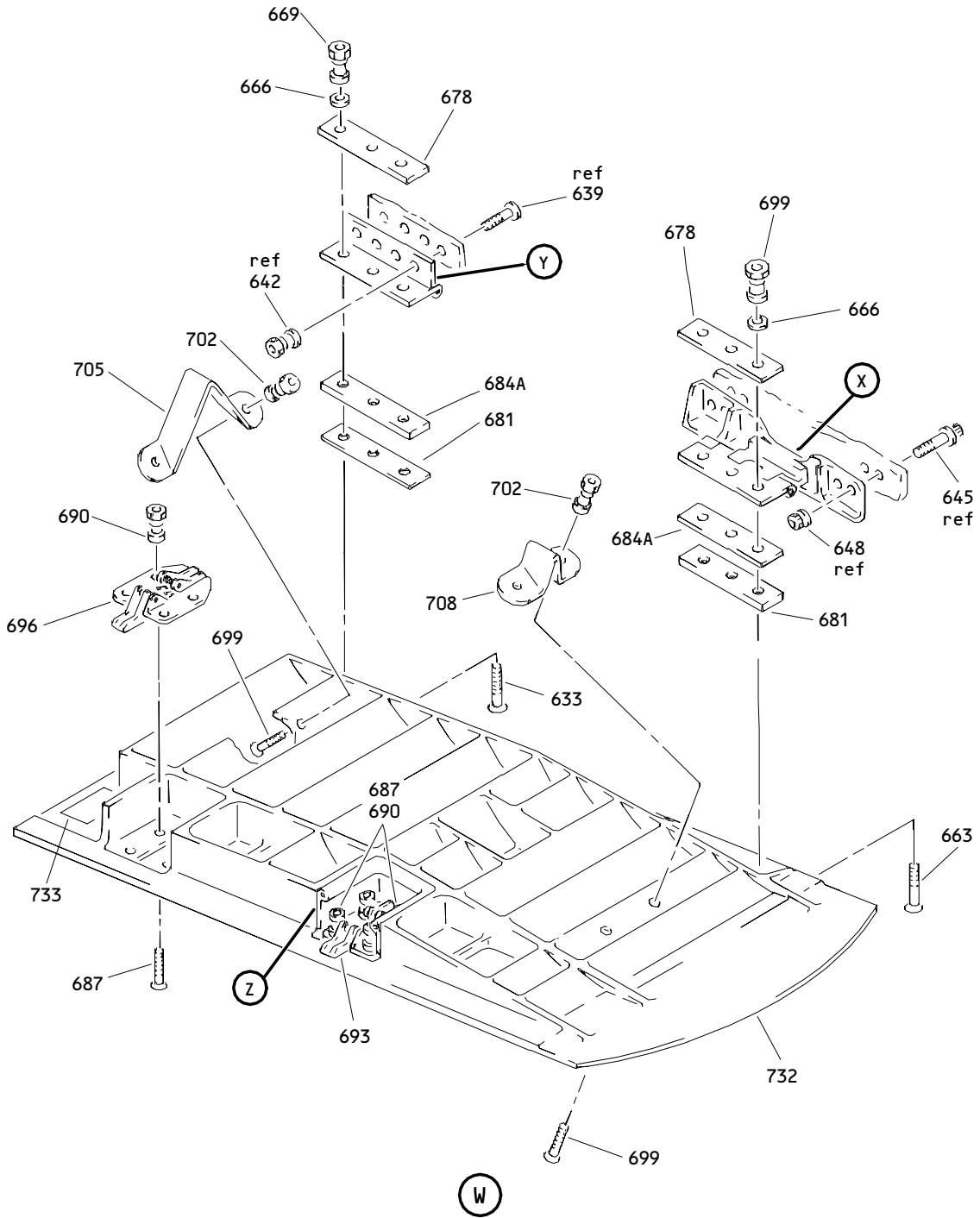
ILLUSTRATED PARTS LIST
01.1 Page 1080C
Jul 01/03



Lower LH and RH Bifurcation Assembly
 Figure 4 (Sheet 13)

71-11-32

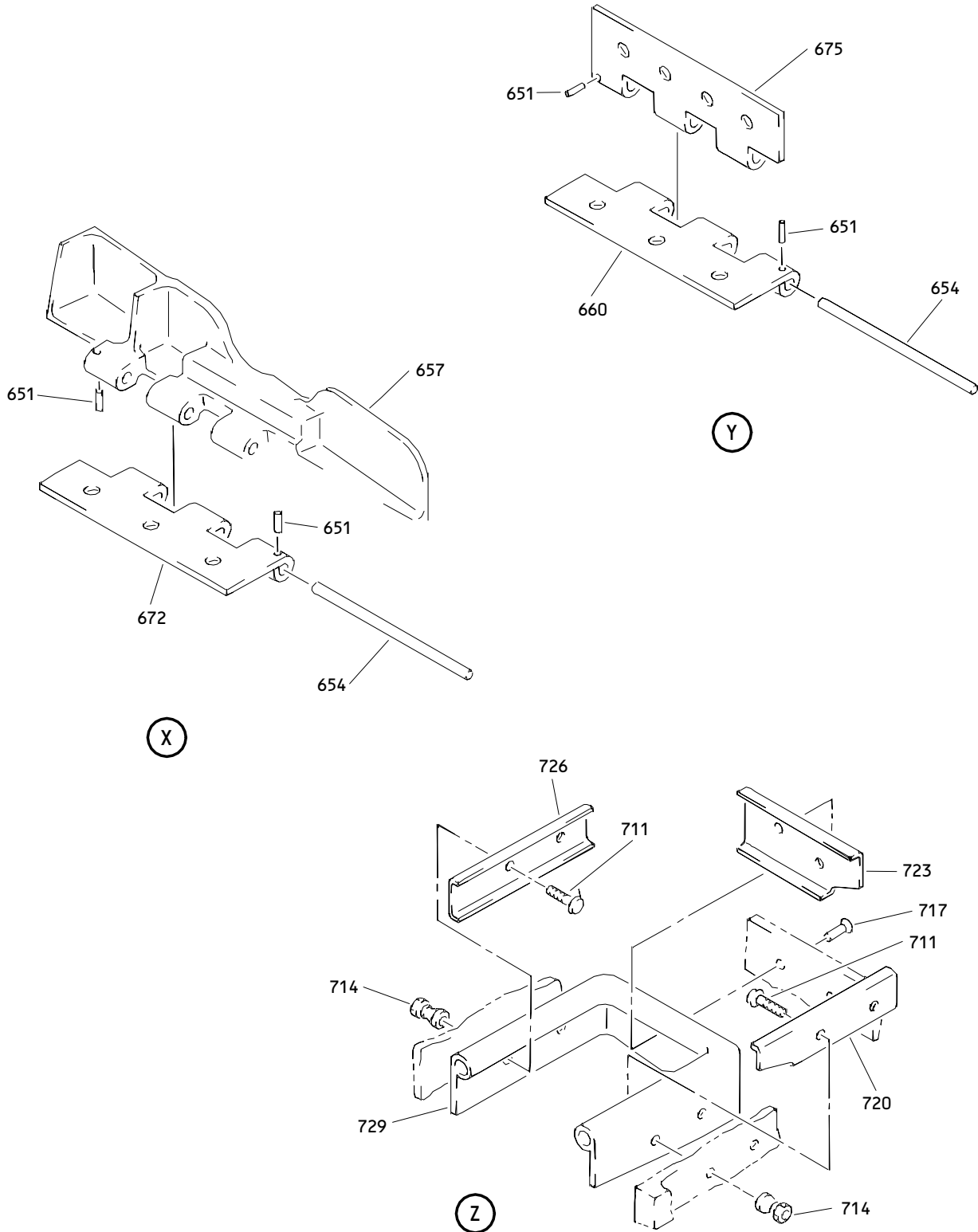
ILLUSTRATED PARTS LIST
 01.1 Page 1080D
 Jul 01/03



Lower LH and RH Bifurcation Assembly
Figure 4 (Sheet 14)

71-11-32

ILLUSTRATED PARTS LIST
01.1 Page 1080E
Jul 01/03



Lower LH and RH Bifurcation Assembly
Figure 4 (Sheet 15)

71-11-32

ILLUSTRATED PARTS LIST
01.1 Page 1080F
Jul 01/03


BOEING
 COMPONENT
 MAINTENANCE MANUAL

FIG. & ITEM	PART NO.	AIRLINE PART NUMBER	NOMENCLATURE 1234567	EFF CODE	QTY PER ASSY
04- -1	315T3400-209		BIFURCATION ASSY-LWR LH	A,C,E ,G, J-P	RF
-1A	315T3400-207		BIFURCATION ASSY-LWR LH	Y,AA, AB	RF
-5	315T3400-210		BIFURCATION ASSY-LWR RH	B,D,F ,H,AC ,AD	RF
-5A	315T3400-200		BIFURCATION ASSY-LWR RH	Z	RF
-10	315T3400-5013		.BIFURCATION ASSY-	A,C,E ,G, J-P	1
-10A	315T3400-5003		.BIFURCATION ASSY- (LIMITED)	Y,AA, AB	1
-10B	315T3400-5007		.BIFURCATION ASSY- (LIMITED)	Y,AA, AB	1
-10C	315T3400-5029		DELETED		
-15	315T3400-5012		.BIFURCATION ASSY- (LIMITED)	B,D,F ,H,AC ,AD	1
-15A	315T3400-5023		.BIFURCATION ASSY- (LIMITED)	B,D,F ,H,AC ,AD	1
-15B	315T3400-5016		.BIFURCATION ASSY- (REWORK)	Z	1
-15C	315T3400-5030		DELETED		
-15D	315T3400-5032		.BIFURCATION ASSY- (LIMITED)	B,D,F ,H,AC ,AD	1
-15E	315T3400-5036		.BIFURCATION ASSY- (LIMITED)	B,D,F ,H,AC ,AD	1
-15F	315T3400-5038		.BIFURCATION ASSY- (LIMITED)	B,D,F ,H,AC ,AD	1
-15G	315T3400-5040		.BIFURCATION ASSY- (LIMITED)	B,D,F ,H,AC ,AD	1
-15H	315T3400-5042		.BIFURCATION ASSY- (LIMITED)	B,D,F ,H,AC ,AD	1
-15J	315T3400-5047		.BIFURCATION ASSY- (LIMITED)	B,D,F ,H,AC ,AD	1

71-11-32

ILLUSTRATED PARTS LIST

01.1 Page 1080G

Jul 01/03

FIG. & ITEM	PART NO.	AIRLINE PART NUMBER	NOMENCLATURE 1234567	EFF CODE	QTY PER ASSY
04- -15K	315T3400-5004		.BIFURCATION ASSY- (LIMITED)	Z	1
18	315T3402-5		..TRACK ASSY	A,C,E ,G, J-P,Y ,AA,A B	1
-18A 21	315T3402-11 315T3402-1		DELETED ..TRACK ASSY- (USED ON ITEMS 15, 15A, 15B, 15D, 15F, 15H, 15J 15K)	B,D,F ,H,Z, AC,AD	1
-21A	315T3402-12		..TRACK ASSY- (USED ON ITEMS 15E, 15G) (FOR DETAILS SEE FIG. 9) ATTACHING PARTS	B,D,F ,H,AC ,AD	1
24	NAS1398CW8-14		..RIVET		1
27	NAS1398CW8-13		..RIVET		3
30	NAS1398CW6-6		..RIVET		5
33	NAS1398CW6-6		..RIVET	A,C,E ,G, J-P,Y ,AA,A B	13
36	NAS1398CW6-7		..RIVET		1
39	NAS1398CW6-9		..RIVET		2
42	NAS1398CW6-9		..RIVET	B,D,F ,H,Z, AC,AD	9

71-11-32

 ILLUSTRATED PARTS LIST
 01.1 Page 1080H
 Jul 01/03


BOEING
 COMPONENT
 MAINTENANCE MANUAL

FIG. & ITEM	PART NO.	AIRLINE PART NUMBER	NOMENCLATURE 1234567	EFF CODE	QTY PER ASSY
04-45	NAS1399CW6-9		..RIVET	B,D,F ,H,Z, AC,AD	1
51	NAS1398CW6-5		..RIVET	A,C,E ,G, J-P,Y ,AA,A B	3
54	NAS1398CW6-5		..RIVET	B,D,F ,H,Z, AC,AD	3
57	NAS1398CW6-8		..RIVET	A,C,E ,G, J-P,Y ,AA,A B	13
60	NAS1398CW6-8		..RIVET	B,D,F ,H,Z, AC,AD	1
63	NAS1399CW6-8		..RIVET	A,C,E ,G, J-P,Y ,AA,A B	9
66	NAS1399CW6-8		..RIVET	B,D,F ,H,Z, AC,AD	1
69	NAS1399CW6-12		..RIVET	B,D,F ,H,Z, AC,AD	1
72	NAS1398CW6-12		..RIVET	B,D,F ,H,Z, AC,AD	3
75	NAS1398CW6-13		..RIVET	B,D,F ,H,Z, AC,AD	4
78	NAS1399CW6-13		..RIVET	B,D,F ,H,Z, AC,AD	4
81	NAS1398CW6-11		..RIVET	A,C,E ,G, J-P,Y ,AA,A B	3

71-11-32

ILLUSTRATED PARTS LIST

01.1 Page 1080I

Jul 01/03

FIG. & ITEM	PART NO.	AIRLINE PART NUMBER	NOMENCLATURE 1234567	EFF CODE	QTY PER ASSY
04-84	NAS1399CW6-11		..RIVET	A,C,E G J-P,Y AA,A B	1
87	HL10VAZ8-5		..BOLT- (V60516) (SPEC BACB30MY8K5) (OPT B30MY8K5 (V97928))		6
90	HL10VAZ8-7		..BOLT- (V60516) (SPEC BACB30MY8K7) (OPT B30MY8K7 (V97928))		5
93	HL79-8		..COLLAR- (V5M902) (SPEC BACC30M8) (OPT HL79-8 (V73197)) (OPT HL79-8 (V92215)) (OPT 66014-8 (V56878)) (OPT HL79-8 (V56878))		11
96	HL10VAZ6-5		..BOLT- (V60516) (SPEC BACB30MY6K5) (OPT B30MY6K5 (V97928))		14

71-11-32

ILLUSTRATED PARTS LIST

01.1 Page 1080J

Jul 01/03


BOEING
 COMPONENT
 MAINTENANCE MANUAL

FIG. & ITEM	PART NO.	AIRLINE PART NUMBER	NOMENCLATURE 1234567	EFF CODE	QTY PER ASSY
R 04-99	HL11VAZ6-3		..BOLT- (V60516) (SPEC BACB30NW6K3) (OPT B30NW6K3 (V97928)) (OPT HL11VAZ6-3 (V73197)) (OPT HL11VAZ6-3 (V92215)) (OPT HL11VAZ6-3 (V97928)) (OPT L803-6K3 (V06725)) (OPT HL11VAZ6-3 (V0PTK6)) (OPT HL11VAZ6-3 (V56878))		12
102	HL79-6		..COLLAR- (V5M902) (SPEC BACC30M6) (OPT HL79-6 (V73197)) (OPT HL79-6 (V92215)) (OPT 66014-6 (V56878)) (OPT HL79-6 (V56878))		26
105	BACB30LL3-7		..BOLT	A,C,E ,G, J-P,Y ,AA,A B	1

71-11-32

ILLUSTRATED PARTS LIST

01.1 Page 1080K

Jul 01/03

FIG. & ITEM	PART NO.	AIRLINE PART NUMBER	NOMENCLATURE 1234567	EFF CODE	QTY PER ASSY
04-108	BACB30LL3-7		..BOLT	B,D,F ,H,Z, AC,AD	2
111	BACB30LL3-5		..BOLT	A,C,E ,G, J-P,Y ,AA,A B	3
114	BACB30LL3-5		..BOLT	B,D,F ,H,Z, AC,AD	1
117	BACB30LL3-3		..BOLT	A,C,E ,G, J-P,Y ,AA,A B	1
120	BACB30LL3-9		..BOLT	B,D,F ,H,Z, AC,AD	1
			-----*-----		
123	NAS623-3-26		...SCREW- (ITEMS 138 AND 123 OPT ITEMS 138A, 141 AND 126)		1
126	BACB30LM3H15		...BOLT- (ITEMS 138 AND 123 OPT ITEMS 138A, 141 AND 126)		1
129	AN960PD10L		...WASHER- (USED WITH ITEM 138)		2
132	AN960PD10L		...WASHER- (USED WITH ITEM 138A)		1

71-11-32

 ILLUSTRATED PARTS LIST
 01.1 Page 1080L
 Jul 01/03

BOEING
 COMPONENT
 MAINTENANCE MANUAL

FIG. & ITEM	PART NO.	AIRLINE PART NUMBER	NOMENCLATURE 1234567	EFF CODE	QTY PER ASSY
04-135	H10-3BAC		...NUT- (V15653) (SPEC BACN10JC3) (OPT NS202101-02 (V80539)) (OPT RMLH9075-3W (V72962)) (OPT T6S1032J (V71087)) (OPT VN303A02 (V92215)) (OPT 96-02 (V80539)) (OPT BRH10A3 (V52828)) (USED WITH ITEM 138)		1
138	315T3317-1		...RETAINER- (ITEMS 138 AND 123 OPT ITEMS 138A, 141 AND 126)		1
138A	315T3257-1		...RETAINER-PIN (ITEMS 138 AND 123 OPT ITEMS 138A, 141 AND 126)		1
141	315T3257-2		...PIN- (ITEMS 138 AND 123 OPT ITEMS 138A, 141 AND 126)		1
144	BACB30LL3-3		...BOLT- (USED ON ITEM 18)	A,C,E ,G, J-T,Y ,AA,A B	1

71-11-32

ILLUSTRATED PARTS LIST
 01.1 Page 1080M
 Jul 01/03

FIG. & ITEM	PART NO.	AIRLINE PART NUMBER	NOMENCLATURE 1234567	EFF CODE	QTY PER ASSY
04- -147	HL19PB5-5		...BOLT- (V60516) (SPEC BACB30FN5-5) (OPT HL19PB5-5 (V73197)) (OPT HL19PB5-5 (V92215)) (OPT HL19PB5-5 (V97928)) (OPT 62547-5-5 (V56878)) (OPT HL19PB5-5 (V80539)) (OPT HL19PB5-5 (V08524)) (OPT HL19-5-5 (V06725)) (OPT L839-5-5 (V06725)) (OPT HL19PB5-5 (V56878)) (USED ON ITEM 21)	B,D,F ,H,Z, AC,AD	1
150	AN960KD8		...WASHER- (USED ON ITEM 21)	B,D,F ,H,Z, AC,AD	1
153	H10-3BAC		...NUT- (V15653) (SPEC BACN10JC3) (OPT NS202101-02 (V80539)) (OPT RMLH9075-3W (V72962)) (OPT T6S1032J (V71087)) (OPT VN303A02 (V92215)) (OPT 96-02 (V80539)) (OPT BRH10A3 (V52828)) (USED ON ITEM 18)	A,C,E ,G, J-T,Y ,AA,A B	1

71-11-32

 ILLUSTRATED PARTS LIST
 01.1 Page 1080N
 Jul 01/03


BOEING
 COMPONENT
 MAINTENANCE MANUAL

FIG. & ITEM	PART NO.	AIRLINE PART NUMBER	NOMENCLATURE 1234567	EFF CODE	QTY PER ASSY
04- -156	H10-08BAC		...NUT- (V15653) (SPEC BACN10JC08) (OPT NS202101-82 (V80539)) (OPT RMLH9075-82W (V72962)) (OPT T6S832J (V71087)) (OPT VN303A82 (V92215)) (OPT 96-82 (V80539)) (OPT BRH10A08 (V52828)) (USED ON ITEM 21)	B,D,F ,H,Z, AC,AD	1
159 159A	315T3415-3 315T3415-7		DELETED ...LINER	A,C,E ,G, J-P,Y ,AA,A B	1
-159B -159C	315T3415-3 315T3415-6		DELETED ...LINER- (USED ON ITEM 21)	B,D,F ,H,Z, AC,AD	1
-159D -159E 162	315T3415-15 315T3415-16 315T3402-6		DELETED DELETED ...TRACK- (USED ON ITEM 18)	A,C,E ,G, J-P,Y ,AA,A B	1
165	315T3402-3		...TRACK- (USED ON ITEM 21)	B,D,F ,H,AC ,AD	1
168	BACF3F006J008NN		..FILLER		1
171	BACS40R11C43F		..SHIM		AR
174	BACS40R13D43F		..SHIM		AR
177	BACS40R08C359F		..SHIM		AR
180	BACS40R09D10F		..SHIM		AR
183	BACS40R10D19F		..SHIM		AR
186	MS20615-5MP		..RIVET- (SIZE DETERMINE ON INST)		5

71-11-32

ILLUSTRATED PARTS LIST

01.1 Page 10800

Jul 01/03

FIG. & ITEM	PART NO.	AIRLINE PART NUMBER	NOMENCLATURE 1234567	EFF CODE	QTY PER ASSY
04-189	BACR15CE5M		..RIVET- (SIZE DETERMINE ON INST)		1
192	315T3406-5		..LINER	A,C,E ,G, J-P,Y ,AA,A B	1
-195	315T3406-4		..LINER	B,D,F ,H,Z, AC,AD	1
198	NAS1398CW8-12		..RIVET		1
201	HL10VAZ6-7		..BOLT- (V60516) (SPEC BACB30MY6K7) (OPT B30MY6K7 (V97928))		2
204	HL79-6		..COLLAR- (V5M902) (SPEC BACC30M6) (OPT HL79-6 (V73197)) (OPT HL79-6 (V92215)) (OPT 66014-6 (V56878)) (OPT HL79-6 (V56878))		2
207	315T3400-149		..ANGLE	A,C,E ,G, J-P,Y ,AA,A B	1

71-11-32

ILLUSTRATED PARTS LIST

01.1 Page 1080P

Jul 01/03


BOEING
 COMPONENT
 MAINTENANCE MANUAL

FIG. & ITEM	PART NO.	AIRLINE PART NUMBER	NOMENCLATURE 1234567	EFF CODE	QTY PER ASSY
04- -210	315T3400-150		..ANGLE	B,D,F ,H,Z, AC,AD	1
213	315T3400-147		..FILLER		1
216	BACF3F009W021NN		..FILLER	A,C,E ,G, J-P,Y ,AA,A B	1
219	BACF3F009J010NN		..FILLER	B,D,F ,H,Z, AC,AD	1
222	BACF3F009P020BN		..FILLER	B,D,F ,H,Z, AC,AD	1
225	315T3423-1		..PIN	A,C,E ,G, J-P,Y ,AA,A B	1
228	H2898-3		..KEEPER ASSY- (V83014)	A,C,E ,G, J-P,Y ,AA,A B	1
231	BACB30LE4-11		ATTACHING PARTS ..BOLT	A,C,E ,G, J-P,Y ,AA,A B	4

71-11-32

ILLUSTRATED PARTS LIST

01.1 Page 1080Q

Jul 01/03

FIG. & ITEM	PART NO.	AIRLINE PART NUMBER	NOMENCLATURE 1234567	EFF CODE	QTY PER ASSY
04-234	BMNN10HR4		..NUT- (V08524) (SPEC BACN10HR4) (OPT BMN10HR4 (V97928)) (OPT CR59064 (V62554)) (OPT H964 (V15653)) (OPT RMLH224 (V72962)) (OPT VAL280094 (V06710)) (OPT 678324 (V56878)) (OPT H96-4 (V15653)) (OPT VAL280094 (V06710)) (OPT 678324 (V56878)) (OPT H96-4 (V15653)) (OPT RMLH22-4 (V72962)) -----*-----	A,C,E ,G, J-P,Y ,AA,A B	4
237	H2899-5		..KEEPER ASSY- (V83014)	A,C,E ,G, J-P,Y ,AA,A B	1
240	BACB30NM4K13		ATTACHING PARTS ..BOLT -----*-----	A,C,E ,G, J-P,Y ,AA,A B	4
243	315T3424-1		..PIN	A,C,E ,G, J-P,Y ,AA,A B	3

71-11-32

ILLUSTRATED PARTS LIST

01.1 Page 1080R

Jul 01/03


BOEING
 COMPONENT
 MAINTENANCE MANUAL

FIG. & ITEM	PART NO.	AIRLINE PART NUMBER	NOMENCLATURE 1234567	EFF CODE	QTY PER ASSY
04-246	H2850-2		..LATCH ASSY- (V83014) (SPEC S315T110-2) (OPT 9425-2 (V84256))	B,D,F ,H,Z, AC,AD	1
-246A	9425-2		DELETED		
-246B	H2850-1		..LATCH ASSY- (V83014) (OPT ITEMS 246C, 246D)	Z	1
-246C	H2850-2		..LATCH ASSY- (V83014) (OPT ITEMS 246B, 246D)	Z	1
-246D	9425-2		..LATCH ASSY- (V84256) (SPEC S315T110-2) (OPT ITEMS 246B, 246C) ATTACHING PARTS	Z	1
249	315T1448-3		..BOLT-SHOULDER (USED ON ITEMS 15, 15A, 15B, 15J, 15K)	B,D,F ,H,Z, AC,AD	1
-249A	315T1448-10		..BOLT-SHOULDER (USED ON ITEMS 15D, 15E, 15F, 15G, 15H)	B,D,F ,H,AC ,AD	1
252	AN960-516L		..WASHER	B,D,F ,H,Z, AC,AD	AR
255	AN960PD516L		..WASHER	B,D,F ,H,Z, AC,AD	AR
258	AN960-516		..WASHER	B,D,F ,H,Z, AC,AD	AR
261	AN960-516L		..WASHER	B,D,F ,H,Z, AC,AD	1
264	AN960-416L		..WASHER	B,D,F ,H,Z, AC,AD	1
267	BACW10BP5ACU		..WASHER	B,D,F ,H,Z, AC,AD	1

71-11-32

ILLUSTRATED PARTS LIST

01.1 Page 1080S

Jul 01/03

FIG. & ITEM	PART NO.	AIRLINE PART NUMBER	NOMENCLATURE 1234567	EFF CODE	QTY PER ASSY
04-270	BRH10C4M		..NUT- (V52828) (SPEC BACN10JC4CM) (OPT T6C428JM (V11815)) (OPT 97E48 (V80539)) (OPT 109LH9075-4W (V72962)) (OPT VN303D048 (V92215)) (OPT 9NS202101SE048 (VA8053)) (OPT H01-4BAC (V15653)) -----*	B,D,F ,H,Z, AC,AD	1
273	315T3412-13		..FITTING ASSY-ATTACH	A,C,E ,G, J-P	1
-273A	315T3412-1		..FITTING ASSY-ATTACH (OPT ITEM 273B)	Y,AA, AB	1
-273B	315T3412-7		..FITTING ASSY-ATTACH (OPT ITEM 273A) ATTACHING PARTS	Y,AA, AB	1
276	NAS1398CW6-9		..RIVET	A,C,E ,G, J-P,Y ,AA,A B	4
279	NAS1398CW6-5		..RIVET	A,C,E ,G, J-P,Y ,AA,A B	10
282	NAS1398CW6-6		..RIVET	A,C,E ,G, J-P,Y ,AA,A B	2
285	NAS1398CW6-8		..RIVET	A,C,E ,G, J-P,Y ,AA,A B	4

71-11-32

 ILLUSTRATED PARTS LIST
 01.1 Page 1080T
 Jul 01/03

BOEING
 COMPONENT
 MAINTENANCE MANUAL

FIG. & ITEM	PART NO.	AIRLINE PART NUMBER	NOMENCLATURE	EFF CODE	QTY PER ASSY
04-288	NAS1398CW8-7		1234567 ..RIVET	A,C,E ,G, J-P,Y ,AA,A B	3
291	NAS1398CW8-9		..RIVET	A,C,E ,G, J-P,Y ,AA,A B	1
294	NAS1398CW6-4		..RIVET -----*-----	A,C,E ,G, J-P,Y ,AA,A B	5
297	BACR15CE3D		...RIVET- (SIZE DETERMINE ON INST)	A,C,E ,G, J-P,Y ,AA,A B	1
300	BACR15CE3D		...RIVET- (SIZE DETERMINE ON INST) (OPT ITEM 300A)	A,C,E ,G, J-P,Y ,AA,A B	1
-300A	AF5141-3C		...RIVET- (V53551) (SPEC BACR15DR3AC) (OPT CCR264CS3C (V11815)) (OPT RV541A3C (V98996)) (SIZE DETERMINE ON INST) (OPT ITEM 300)	A,C,E ,G, J-P,Y ,AA,A B	1

71-11-32

ILLUSTRATED PARTS LIST
 01.1 Page 1080U
 Jul 01/03

FIG. & ITEM	PART NO.	AIRLINE PART NUMBER	NOMENCLATURE 1234567	EFF CODE	QTY PER ASSY
04-303	BR2000C4D		...NUTPLATE- (V52828) (SPEC BACN10JR4CD) (OPT K51601-4BAC (V15653)) (OPT NS202439-048 (V80539)) (OPT 102A9201-4 (V72962)) (OPT ITEM 303A)	A,C,E ,G, J-P	1
-303A	BRF200C4D		...NUTPLATE- (V52828) (SPEC BACN10JR4CFD) (OPT K51602-4BAC (V15653)) (OPT NS202476-048 (V80539)) (OPT 102F9201-4 (V72962)) (OPT T8092C428CD (V11815)) (OPT ITEM 303)	A,C,E ,G, J-P	1
-303B	BRF200C4M		...NUTPLATE- (V52828) (SPEC BACN10JR4CFM) (OPT F5001-4BAC (V15653)) (OPT NS103203SE048 (V80539)) (OPT VN152D1-048 (V92215)) (OPT 109F9201-4 (V72962)) (OPT T8092C428 (V11815))	Y,AA, AB	1
306	315T3412-14		...FITTING	A,C,E ,G, J-P	1
-306A	315T3412-2		...FITTING- (REPLD BY ITEM 306B) (USED ON ITEM 273A)	Y,AA, AB	1
-306B	315T3412-6		...FITTING- (REPLS ITEM 306A) (OPT ITEM 306C) (USED ON ITEM 273A)	Y,AA, AB	1

71-11-32

 ILLUSTRATED PARTS LIST
 01.1 Page 1080V
 Jul 01/03

BOEING
 COMPONENT
 MAINTENANCE MANUAL

FIG. & ITEM	PART NO.	AIRLINE PART NUMBER	NOMENCLATURE 1234567	EFF CODE	QTY PER ASSY
04- -306C	315T3412-4		...FITTING- (OPT ITEM 306B) (USED ON ITEM 273A)	Y,AA, AB	1
-306D	315T3412-9		...FITTING- (USED ON ITEM 273B)	Y,AA, AB	1
309	BACF3F011J011NN		..FILLER	A,C,E ,G, J-P,Y ,AA,A B	1
312	315T3413-13		..FITTING ASSY-ATTACH (USED ON ITEM 15A)	B,D,F ,H,AC ,AD	1
-312A	315T3413-19		..FITTING ASSY-ATTACH (USED ON ITEMS 15, 15D, 15F, 15H, 15J)	B,D,F ,H,AC ,AD	1
-312B	315T3413-1		..FITTING ASSY-ATTACH	Z	1
-312C	315T3413-25		..FITTING ASSY-ATTACH (USED ON ITEMS 15E, 15G)	B,D,F ,H,AC ,AD	1
315	NAS1398CW6-9		ATTACHING PARTS ..RIVET	B,D,F ,H,Z, AC,AD	4
318	NAS1398CW6-8		..RIVET	B,D,F ,H,Z, AC,AD	5
321	NAS1398CW6-5		..RIVET	B,D,F ,H,Z, AC,AD	11
324	NAS1398CW6-6		..RIVET	B,D,F ,H,Z, AC,AD	1

71-11-32

ILLUSTRATED PARTS LIST
 01.1 Page 1080W
 Jul 01/03

FIG. & ITEM	PART NO.	AIRLINE PART NUMBER	NOMENCLATURE 1234567	EFF CODE	QTY PER ASSY
04-327	NAS1398CW6-4		..RIVET	B,D,F ,H,Z, AC,AD	4
330	NAS1398CW8-9		..RIVET	B,D,F ,H,Z, AC,AD	1
333	NAS1398CW8-7		..RIVET	B,D,F ,H,Z,	3
			-----*-----		
336	BACB28AM04B034A		...BUSHING	AC,AD B,D,F ,H,Z, AC,AD	1
339	BACB28W3B037		...BUSHING	B,D,F ,H,Z, AC,AD	1
342	BACB28Y5C037		...BUSHING- (USED ON ITEMS 312, 312A)	B,D,F ,H,Z, AC,AD	2
-342A	BACB28AW05A037C		...BUSHING- (USED ON ITEM 312C)	B,D,F ,H,Z, AC,AD	2
345	BACB28X6C020		...BUSHING	B,D,F ,H,Z, AC,AD	1
348	BACB30NW5K		...BOLT- (SIZE DETERMINE ON INST) (USED ON ITEMS 312A, 312C)	B,D,F ,H,AC ,AD	2
351	HL79-5		...COLLAR- (V5M902) (SPEC BACC30M5) (OPT HL70-5 (V73197)) (OPT HL70-5 (V92215)) (OPT 66014-5 (V56878)) (OPT HL70-5 (V56878)) (USED ON ITEMS 312A, 312C)	B,D,F ,H,AC ,AD	2

71-11-32

 ILLUSTRATED PARTS LIST
 01.1 Page 1080X
 Jul 01/03


BOEING
 COMPONENT
 MAINTENANCE MANUAL

FIG. & ITEM	PART NO.	AIRLINE PART NUMBER	NOMENCLATURE 1234567	EFF CODE	QTY PER ASSY
04-354	315T3708-2		...SPRING-FLAT (USED ON ITEMS 312A, 312C)	B,D,F ,H,AC ,AD	1
357	315T3708-4		...SPRING-FLAT (USED ON ITEMS 312A, 312C)	B,D,F ,H,AC ,AD	1
358	MS21141-0504P		...FASTENER	B,D,F ,H,Z, AC,AD	2
359	315T3413-11		...STRIP-RUB	B,D,F ,H,Z, AC,AD	1
360	315T3413-14		...FITTING- (USED ON ITEM 312)	B,D,F ,H,AC ,AD	1
-360A	315T3413-14		...FITTING- (OPT ITEM 360B) (USED ON ITEMS 312A, 312C)	B,D,F ,H,AC ,AD	1
-360B	315T3413-10		...FITTING- (OPT ITEM 360A) (USED ON ITEMS 312A, 312C)	B,D,F ,H,AC ,AD	1
-360C	315T3413-2		...FITTING- (REPL BY ITEM 360G)	Z	1
360G	315T3413-6		...FITTING ASSY- (REPLS ITEM 360C) (OPT ITEM 362G)	Z	1
361	MS21141-0503P	FASTENER	Z	7
361G	MS21141-0506P	FASTENER	Z	1
361M	315T3576-1	SUPPORT	Z	1
362	315T3413-7	FITTING	Z	1
-362G	315T3413-4		...FITTING- (OPT ITEM 360G)	Z	1

71-11-32

 ILLUSTRATED PARTS LIST
 01.1 Page 1080Y
 Jul 01/03

FIG. & ITEM	PART NO.	AIRLINE PART NUMBER	NOMENCLATURE 1234567	EFF CODE	QTY PER ASSY
04-363	BACF3T03L9-10		..FILLER	B,D,F ,H,Z, AC,AD	1
366	BACF3T04M12-20		..FILLER	B,D,F ,H,Z, AC,AD	1
369	BACF3F011J011NN		..FILLER	B,D,F ,H,Z, AC,AD	1
372	H2876-3		..LATCH ASSY- (V83014)	B,D,F ,H,Z, AC,AD	3
375	315T1448-2		ATTACHING PARTS ..BOLT-SHOULDER	B,D,F ,H,Z, AC,AD	2
376	315T1448-2		..BOLT-SHOULDER (USED ON ITEMS 15, 15A, 15B, 15J, 15K)	B,D,F ,H,Z, AC,AD	1
-376A	315T1448-7		..BOLT-SHOULDER (USED ON ITEMS 15D, 15E, 15F, 15G, 15H)	B,D,F ,H,AC ,AD	1
378	AN960-516L		..WASHER	B,D,F ,H,Z, AC,AD	AR
381	AN960PD516L		..WASHER	B,D,F ,H,Z, AC,AD	AR
384	AN960-516		..WASHER	B,D,F ,H,Z, AC,AD	AR
387	AN960-516L		..WASHER	B,D,F ,H,Z, AC,AD	3

71-11-32

 ILLUSTRATED PARTS LIST
 01.1 Page 1080Z
 Jul 01/03


BOEING
 COMPONENT
 MAINTENANCE MANUAL

FIG. & ITEM	PART NO.	AIRLINE PART NUMBER	NOMENCLATURE 1234567	EFF CODE	QTY PER ASSY
04-390	BACW10BP5ACU		..WASHER	B,D,F ,H,Z, AC,AD	3
393	BRH10C4M		..NUT- (V52828) (SPEC BACN10JC4CM) (OPT T6C428JM (V11815)) (OPT 97E48 (V80539)) (OPT 109LH9075-4W (V72962)) (OPT VN303D048 (V92215)) (OPT 9NS202101SE048 (VA8053)) (OPT H01-4BAC (V15653)) -----*-----	B,D,F ,H,Z, AC,AD	3
396	315T3422-15		..ZEE ASSY	A,C,E ,G, J-P	1
-396A	315T3422-7		..ZEE ASSY- (USED ON ITEM 10A)	Y,AA, AB	1
-396B	315T3422-11		..ZEE ASSY- (USED ON ITEM 10B) ATTACHING PARTS	Y,AA, AB	1
399	HL13VAZ6-5		..BOLT- (V56878) (SPEC BACB30NY6K5) (OPT HL13VAZ6-5 (V73197)) (OPT HL13VAZ6-5 (V92215)) (OPT HL13VAZ6-5 (V97928)) (OPT L801-6K5 (V06725)) (OPT HL13VAZ6-5 (V08524)) (OPT HL13V5 (V06725)) (OPT HL13VAZ6-5 (V17446))	A,C,E ,G, J-P,Y ,AA,A B	1

71-11-32

ILLUSTRATED PARTS LIST

01.1

Page 1081

Jul 01/03

FIG. & ITEM	PART NO.	AIRLINE PART NUMBER	NOMENCLATURE 1234567	EFF CODE	QTY PER ASSY
04-402	HL1012AZ6-5		..BOLT- (V97928) (SPEC BACB30NX6K5) (OPT HL12VAZ6-5 (V73197)) (OPT HL12VAZ6-5 (V92215)) (OPT HL12VAZ6-5 (V97928)) (OPT L802-6K5 (V06725)) (OPT HL12VAZ6-5 (V56878)) (OPT HL1012AZ6-5 (V0PTK6)) (OPT HL1012AZ6-5 (V06725)) (OPT HL1012AZ6-5 (V06950)) (OPT HL1012AZ6-5 (V17446)) (OPT HL1012AZ6-5 (V56878)) (OPT HL1012AZ6-5 (V60516)) (OPT HL1012AZ6-5 (V73197))	A,C,E G, J-P,Y AA,A B	3

71-11-32

ILLUSTRATED PARTS LIST

01.1

Page 1082

Jul 01/03


BOEING
 COMPONENT
 MAINTENANCE MANUAL

FIG. & ITEM	PART NO.	AIRLINE PART NUMBER	NOMENCLATURE 1234567	EFF CODE	QTY PER ASSY
04-405	HL1012AZ6-7		..BOLT- (V97928) (SPEC BACB30NX6K7) (OPT HL12VAZ6-7 (V73197)) (OPT HL12VAZ6-7 (V92215)) (OPT HL12VAZ6-7 (V97928)) (OPT L802-6K7 (V06725)) (OPT HL12VAZ6-7 (V56878)) (OPT HL1012AZ6-7 (V0PTK6)) (OPT HL1012AZ6-7 (V06725)) (OPT HL1012AZ6-7 (V06950)) (OPT HL1012AZ6-7 (V17446)) (OPT HL1012AZ6-7 (V56878)) (OPT HL1012AZ6-7 (V60516)) (OPT HL1012AZ6-7 (V73197))	A,C,E G, J-P,Y AA,A B	2

71-11-32

 ILLUSTRATED PARTS LIST
 01.1 Page 1082A
 Jul 01/03

FIG. & ITEM	PART NO.	AIRLINE PART NUMBER	NOMENCLATURE 1234567	EFF CODE	QTY PER ASSY
04-408	HL1012AZ6-8		..BOLT- (V97928) (SPEC BACB30NX6K8) (OPT HL12VAZ6-8 (V73197)) (OPT HL12VAZ6-8 (V92215)) (OPT HL12VAZ6-8 (V97928)) (OPT L802-6K8 (V06725)) (OPT HL12VAZ6-8 (V56878)) (OPT HL1012AZ6-8 (V0PTK6)) (OPT HL1012AZ6-8 (V06725)) (OPT HL1012AZ6-8 (V06950)) (OPT HL1012AZ6-8 (V17446)) (OPT HL1012AZ6-8 (V56878)) (OPT HL1012AZ6-8 (V60516)) (OPT HL1012AZ6-8 (V73197))	A,C,E G, J-P,Y AA,A B	4

71-11-32

 ILLUSTRATED PARTS LIST
 01.1 Page 1082B
 Jul 01/03

 **BOEING**
 COMPONENT
 MAINTENANCE MANUAL

FIG. & ITEM	PART NO.	AIRLINE PART NUMBER	NOMENCLATURE	EFF CODE	QTY PER ASSY
			1234567		
04-411	HL1012AZ6-6		..BOLT- (V97928) (SPEC BACB30NX6K6) (OPT HL12VAZ6-6 (V73197)) (OPT HL12VAZ6-6 (V92215)) (OPT HL12VAZ6-6 (V97928)) (OPT L802-6K6 (V06725)) (OPT HL12VAZ6-6 (V56878)) (OPT HL1012AZ6-6 (V0PTK6)) (OPT HL1012AZ6-6 (V06725)) (OPT HL1012AZ6-6 (V06950)) (OPT HL1012AZ6-6 (V17446)) (OPT HL1012AZ6-6 (V56878)) (OPT HL1012AZ6-6 (V60516)) (OPT HL1012AZ6-6 (V73197))	A,C,E G, J-P,Y AA,A B	3
414	HL1187-6		..COLLAR- (V5M902) (SPEC BACC30X6) (OPT HL87-6 (V73197)) (OPT HL87-6 (V92215)) (OPT HL1187-6 (V56878)) (OPT HL1187-6 (V92215)) (OPT HL87-6 (V56878)) (OPT HL1187-6 (V73197))	A,C,E G, J-P,Y AA,A B	13

71-11-32

ILLUSTRATED PARTS LIST
 01.1 Page 1082C
 Jul 01/03

FIG. & ITEM	PART NO.	AIRLINE PART NUMBER	NOMENCLATURE 1234567	EFF CODE	QTY PER ASSY
04-417	MS21141-0606P		..FASTENER	A,C,E ,G, J-P,Y ,AA,A B	19
420	MS21141-0604P		..FASTENER	A,C,E ,G, J-P,Y ,AA,A B	7
423	NAS1398CW6-8		..RIVET	A,C,E ,G, J-P,Y ,AA,A B	1
426	HL10VAZ8-10		..BOLT- (V60516) (SPEC BACB30MY8K10) (OPT B30MY8K10 (V97928))	A,C,E ,G, J-P,Y ,AA,A B	1
429	HL10VAZ8-4		..BOLT- (V60516) (SPEC BACB30MY8K4) (OPT B30MY8K4 (V97928))	A,C,E ,G, J-P,Y ,AA,A B	5
R 432	HL11VAZ6-9		..BOLT- (V60516) (SPEC BACB30NW6K9) (OPT B30NW6K9 (V97928)) (OPT HL11VAZ6-9 (V73197)) (OPT HL11VAZ6-9 (V92215)) (OPT HL11VAZ6-9 (V97928)) (OPT L803-6K9 (V06725)) (OPT HL11VAZ6-9 (V0PTK6)) (OPT HL11VAZ6-9 (V56878))	A,C,E ,G, J-P,Y ,AA,A B	1

71-11-32

 ILLUSTRATED PARTS LIST
 01.1 Page 1082D
 Jul 01/03


BOEING
 COMPONENT
 MAINTENANCE MANUAL

FIG. & ITEM	PART NO.	AIRLINE PART NUMBER	NOMENCLATURE 1234567	EFF CODE	QTY PER ASSY
04-435	HL10VAZ8-2		..BOLT- (V60516) (SPEC BACB30MY8K2) (OPT B30MY8K2 (V97928))	A,C,E ,G, J-P,Y ,AA,A B	7
438	AN960PD10L		..WASHER	A,C,E ,G, J-P,Y ,AA,A B	1
441	HL79-8		..COLLAR- (V5M902) (SPEC BACC30M8) (OPT HL79-8 (V73197)) (OPT HL79-8 (V92215)) (OPT 66014-8 (V56878)) (OPT HL79-8 (V56878))	A,C,E ,G, J-P,Y ,AA,A B	12
444	BACN10GW3		..NUT	A,C,E ,G, J-P,Y ,AA,A B	1
447	BRH10A4		..NUT- (V52828) (SPEC BACN10JC4) (OPT T6S428J (V11815)) (OPT 96-048 (V80539)) (OPT VN303A048 (V92215)) (OPT RMLH9075-4W (V72962)) (OPT NS202101-048 (V80539)) (OPT H10-4BAC (V15653))	A,C,E ,G, J-P,Y ,AA,A B	1

71-11-32

ILLUSTRATED PARTS LIST

01.1 Page 1082E

Jul 01/03

FIG. & ITEM	PART NO.	AIRLINE PART NUMBER	NOMENCLATURE 1234567	EFF CODE	QTY PER ASSY
04-450	HL10VAZ6-2		..BOLT- (V60516) (SPEC BACB30MY6K2) (OPT B30MY6K2 (V97928))	A,C,E ,G, J-P,Y ,AA,A B	6
453	HL10VAZ6-7		..BOLT- (V60516) (SPEC BACB30MY6K7) (OPT B30MY6K7 (V97928))	A,C,E ,G, J-P,Y ,AA,A B	3
456	HL10VAZ6-8		..BOLT- (V60516) (SPEC BACB30MY6K8) (OPT B30MY6K8 (V97928))	A,C,E ,G, J-P,Y ,AA,A B	1
R 459	HL11VAZ6-2		..BOLT- (V60516) (SPEC BACB30NW6K2) (OPT B30NW6K2 (V97928)) (OPT HL11VAZ6-2 (V73197)) (OPT HL11VAZ6-2 (V92215)) (OPT HL11VAZ6-2 (V97928)) (OPT L803-6K2 (V06725)) (OPT HL11VAZ6-2 (V0PTK6)) (OPT HLVAZ6-2 (V56878))	A,C,E ,G, J-P,Y ,AA,A B	1

71-11-32

ILLUSTRATED PARTS LIST

01.1 Page 1082F

Jul 01/03


BOEING
 COMPONENT
 MAINTENANCE MANUAL

FIG. & ITEM	PART NO.	AIRLINE PART NUMBER	NOMENCLATURE 1234567	EFF CODE	QTY PER ASSY
R 04-462	HL11VAZ6-3		..BOLT- (V60516) (SPEC BACB30NW6K3) (OPT B30NW6K3 (V97928)) (OPT HL11VAZ6-3 (V73197)) (OPT HL11VAZ6-3 (V92215)) (OPT HL11VAZ6-3 (V97928)) (OPT L803-6K3 (V06725)) (OPT HL11VAZ6-3 (V0PTK6)) (OPT HL11VAZ6-3 (V56878))	A,C,E ,G, J-P,Y ,AA,A B	2
465	HL79-6		..COLLAR- (V5M902) (SPEC BACC30M6) (OPT HL79-6 (V73197)) (OPT HL79-6 (V92215)) (OPT 66014-6 (V56878)) (OPT HL79-6 (V56878))	A,C,E ,G, J-P,Y ,AA,A B	11
468	H10-3BAC		..NUT- (V15653) (SPEC BACN10JC3) (OPT NS202101-02 (V80539)) (OPT RMLH9075-3W (V72962)) (OPT T6S1032J (V71087)) (OPT VN303A02 (V92215)) (OPT 96-02 (V80539)) (OPT BRH10A3 (V52828))	A,C,E ,G, J-P,Y ,AA,A B	2

71-11-32

ILLUSTRATED PARTS LIST

01.1 Page 1082G

Jul 01/03

FIG. & ITEM	PART NO.	AIRLINE PART NUMBER	NOMENCLATURE 1234567	EFF CODE	QTY PER ASSY
04-471	BACB30NU3K6		..BOLT	A,C,E ,G, J-P,Y ,AA,A B	3
474	MS21042L3		..NUT	A,C,E ,G, J-P,Y ,AA,A B	3
R 477	HL11VAZ5-3		..BOLT- (V60516) (SPEC BACB30NW5K3) (OPT B30NW5K3 (V97928)) (OPT HL11VAZ5-3 (V73197)) (OPT HL11VAZ5-3 (V92215)) (OPT HL11VAZ5-3 (V97928)) (OPT L803-5K3 (V06725)) (OPT HL11VAZ5-3 (V0PTK6)) (OPT HL11VAZ5-3 (V56878))	A,C,E ,G, J-P,Y ,AA,A B	9
480	HL79-5		..COLLAR- (V5M902) (SPEC BACC30M5) (OPT HL70-5 (V73197)) (OPT HL70-5 (V92215)) (OPT 66014-5 (V56878)) (OPT HL70-5 (V56878)) -----*	A,C,E ,G, J-P,Y ,AA,A B	9

71-11-32

 ILLUSTRATED PARTS LIST
 01.1 Page 1082H
 Jul 01/03


BOEING
 COMPONENT
 MAINTENANCE MANUAL

FIG. & ITEM	PART NO.	AIRLINE PART NUMBER	NOMENCLATURE 1234567	EFF CODE	QTY PER ASSY
04-483	BACB30NM4K12		...BOLT	A,C,E ,G, J-P,Y ,AA,A B	8
486	H2899-5		...KEEPER ASSY- (V83014)	A,C,E ,G, J-P,Y ,AA,A B	2
489	BACR15CE3D		...RIVET- (SIZE DETERMINE ON INST)	A,C,E ,G, J-P,Y ,AA,A B	24
492	109F177-4		...NUTPLATE- (V72962) (SPEC BACN10JA4CM) (OPT F2401-4 (V15653)) (OPT 43710E048 (V80539)) (OPT BRF110C4M (V52828)) (OPT BRF170C4M (V52828))	A,C,E ,G, J-P,Y ,AA,A B	6
495	BRM300C4M		...NUTPLATE- (V52828) (SPEC BACN10JP4CCM) (OPT MK3001-4BAC (V15653)) (OPT NS103199SE048 (V80539)) (OPT T8082C428 (V11815)) (OPT VN203D1-048 (V92215)) (OPT 109A9205M4 (V72962))	A,C,E ,G, J-P,Y ,AA,A B	6

71-11-32

ILLUSTRATED PARTS LIST

01.1 Page 1082I

Jul 01/03

FIG. & ITEM	PART NO.	AIRLINE PART NUMBER	NOMENCLATURE 1234567	EFF CODE	QTY PER ASSY
04-498	315T3422-16		...ZEE	A,C,E ,G, J-P,Y ,AA,A B	1
-498A	315T3422-8		...ZEE- (USED ON ITEM 396A)	Y,AA, AB	1
-498B	315T3422-12		...ZEE- (USED ON ITEM 396B)	Y,AA, AB	1
501	315T3417-3		...BUSHING ASSY	A,C,E ,G, J-P,Y ,AA,A B	3
R 504	HL11VAZ5-7		ATTACHING PARTS ...BOLT- (V60516) (SPEC BACB30NW5K7) (OPT B30NW5K7 (V97928)) (OPT HL11VAZ5-7 (V73197)) (OPT HL11VAZ5-7 (V92215)) (OPT HL11VAZ5-7 (V97928)) (OPT L803-5K7 (V06725)) (OPT HL11VAZ5-7 (V0PTK6)) (OPT HL11VAZ5-7 (V56878))	A,C,E ,G, J-P,Y ,AA,A B	12
507	HL79-5		...COLLAR- (V5M902) (SPEC BACC30M5) (OPT HL70-5 (V73197)) (OPT HL70-5 (V92215)) (OPT 66014-5 (V56878)) (OPT HL70-5 (V56878)) -----*	A,C,E ,G, J-P,Y ,AA,A B	12

71-11-32

 ILLUSTRATED PARTS LIST
 01.1 Page 1082J
 Jul 01/03


BOEING
 COMPONENT
 MAINTENANCE MANUAL

FIG. & ITEM	PART NO.	AIRLINE PART NUMBER	NOMENCLATURE 1234567	EFF CODE	QTY PER ASSY
04-510	BACR15CE3M	RIVET- (SIZE DETERMINE ON INST)	A,C,E ,G, J-P,Y ,AA,A B	2
513	109F177-4	NUTPLATE- (V72962) (SPEC BACN10JA4CM) (OPT F2401-4 (V15653)) (OPT 43710E048 (V80539)) (OPT BRF110C4M (V52828)) (OPT BRF170C4M (V52828))	A,C,E ,G, J-P,Y ,AA,A B	1
516	315T3417-4	BUSHING	A,C,E ,G, J-P,Y ,AA,A B	1
519	BACB30LL3-3		..BOLT	A,C,E ,G, J-P,Y ,AA,A B	2
522	315T3411-1		..STRIP-FAIRING	A,C,E ,G, J-P,Y ,AA,A B	1

71-11-32

ILLUSTRATED PARTS LIST

01.1 Page 1082K

Jul 01/03

FIG. & ITEM	PART NO.	AIRLINE PART NUMBER	NOMENCLATURE 1234567	EFF CODE	QTY PER ASSY
04-525	BACR15BA3AD		..RIVET- (SIZE DETERMINE ON INST)	A,C,E ,G, J-P,Y ,AA,A B	14
528	109F177-3		..NUTPLATE- (V72962) (SPEC BACN10JA3CM) (OPT F2401-3 (V15653)) (OPT 43710E02 (V80539)) (OPT BRF110C3M (V52828)) (OPT BRF170C3M (V52828))	A,C,E ,G, J-P,Y ,AA,A B	3
531	MK4001-3BAC		..NUTPLATE- (V15653) (SPEC BACN10JP3DCM) (OPT NS103200SE02 (V80539)) (OPT T8083C1032 (V11815)) (OPT VN204D1-02 (V92215)) (OPT 109A9209M3 (V72962))	A,C,E ,G, J-P,Y ,AA,A B	3
534	BR3000C3M		..NUTPLATE- (V52828) (SPEC BACN10KF3CM) (OPT K3001-3BAC (V15653)) (OPT NS103195SE02 (V80539)) (OPT VN103D1-02 (V92215)) (OPT 102A9205-3 (V72962)) (OPT T8119C3 (V11815))	A,C,E ,G, J-P,Y ,AA,A B	1

71-11-32

 ILLUSTRATED PARTS LIST
 01.1 Page 1082L
 Jul 01/03


BOEING
 COMPONENT
 MAINTENANCE MANUAL

FIG. & ITEM	PART NO.	AIRLINE PART NUMBER	NOMENCLATURE 1234567	EFF CODE	QTY PER ASSY
04-537	BACR15FT5KE		..RIVET- (SIZE DETERMINE ON INST)	A,C,E ,G, J-P,Y ,AA,A B	4
538	MS20615-5MP		..RIVET	A,C,E ,G, J-P,Y ,AA,A B	1
540	315T3665-9		..KEEPER-LATCH (OPT ITEM 540A)	A,C,E ,G, J-P	1
-540A	315T3665-10		..KEEPER-LATCH (OPT ITEM 540)	A,C,E ,G, J-P	1
-540B	315T3665-7		DELETED		
-540C	315T3665-11		..KEEPER-LATCH	Y,AA, AB	1
543	315T3400-130		..FILLER	A,C,E ,G, J-P,Y ,AA,A B	3
546	BACR15CE5KE		..RIVET- (SIZE DETERMINE ON INST)	A,C,E ,G, J-P	2
547	315T3400-276		..FILLER	A,C,E ,G, J-P	AR

71-11-32

 ILLUSTRATED PARTS LIST
 01.1 Page 1082M
 Jul 01/03

FIG. & ITEM	PART NO.	AIRLINE PART NUMBER	NOMENCLATURE 1234567	EFF CODE	QTY PER ASSY
04-549	BACR15CE5D		..RIVET- (SIZE DETERMINE ON INST)	A,C,E ,G, J-P,Y ,AA,A B	1
550	315T4400-92		..FILLER	A,C,E ,G, J-P	AR
552	315T3400-263		..KEEPER-LATCH (OPT ITEM 552B)	A,C,E ,G, J-P	1
-552A	315T3400-199		DELETED		
-552B	315T4400-91		..KEEPER-LATCH (OPT ITEM 552)	A,C,E ,G, J-P	1
555	315T3411-2		..STRIP-FAIRING	B,D,F ,H,Z, AC,AD	1
558	315T3400-67		..ANGLE	A,C,E ,G, J-P,Y ,AA,A B	1
561	BACR15BA3AD		..RIVET- (SIZE DETERMINE ON INST)	B,D,F ,H,Z, AC,AD	12
564	109F177-3		..NUTPLATE- (V72962) (SPEC BACN10JA3CM) (OPT F2401-3 (V15653)) (OPT 43710E02 (V80539)) (OPT BRF110C3M (V52828)) (OPT BRF170C3M (V52828))	B,D,F ,H,Z, AC,AD	1

71-11-32

 ILLUSTRATED PARTS LIST
 01.1 Page 1082N
 Jul 01/03


BOEING
 COMPONENT
 MAINTENANCE MANUAL

FIG. & ITEM	PART NO.	AIRLINE PART NUMBER	NOMENCLATURE 1234567	EFF CODE	QTY PER ASSY
04-567	MK4001-3BAC		..NUTPLATE- (V15653) (SPEC BACN10JP3DCM) (OPT NS103200SE02 (V80539)) (OPT T8083C1032 (V11815)) (OPT VN204D1-02 (V92215)) (OPT 109A9209M3 (V72962))	B,D,F ,H,Z, AC,AD	5
570	BACB30LH2-3		..BOLT	B,D,F ,H,Z, AC,AD	1
573	BACB30LH2-4		..BOLT	B,D,F ,H,Z, AC,AD	1
576 576A	315T3400-244SP 315T3400-244		DELETED ..COVER	B,D,F ,H,Z, AC,AD	1
R 579	HL11VAZ6-5		..BOLT- (V60516) (SPEC BACB30NW6K5) (OPT HL11V6-5 (V92215)) (OPT HL11V6-5 (V97928)) (OPT L803-6-5 (V06725)) (OPT B30NW6K5 (V97928)) (OPT HL11VAZ6-5 (V73197)) (OPT HL11VAZ6-5 (V92215)) (OPT HL11VAZ6-5 (V56878))	B,D,F ,H,Z, AC,AD	1
582	HL10VAZ6-5		..BOLT- (V60516) (SPEC BACB30MY6K5) (OPT B30MY6K5 (V97928))	B,D,F ,H,Z, AC,AD	1
585	BACB30M6		DELETED		

71-11-32

ILLUSTRATED PARTS LIST

01.1 Page 10820

Jul 01/03

FIG. & ITEM	PART NO.	AIRLINE PART NUMBER	NOMENCLATURE 1234567	EFF CODE	QTY PER ASSY
04-585A	HL79-6		..COLLAR- (V5M902) (SPEC BACC30M6) (OPT HL79-6 (V73197)) (OPT HL79-6 (V92215)) (OPT 66014-6 (V56878)) (OPT HL79-6 (V56878))	B,D,F ,H,Z, AC,AD	2
588	NAS1398CW5-3		..RIVET- (OPT ITEM 588A)	B,D,F ,H,Z, AC,AD	1
-588A	BACR15FT5KE3C		..RIVET- (OPT ITEM 588)	B,D,F ,H,Z, AC,AD	1
591	NAS1398CW5-4		..RIVET- (OPT ITEM 591A)	B,D,F ,H,Z, AC,AD	1
-591A	BACR15FT5KE4C		..RIVET- (OPT ITEM 591)	B,D,F ,H,Z, AC,AD	1
594	BACR15FT6KE		..RIVET- (SIZE DETERMINE ON INST)	B,D,F ,H,Z, AC,AD	3
597	MS21141-0612P		..FASTENER	B,D,F ,H,Z, AC,AD	2
600	MS21141-0611P		DELETED		
600A	MS21140-0611P		..FASTENER	B,D,F ,H,Z, AC,AD	1
603	315T3400-137		..CLIP-V	B,D,F ,H,Z, AC,AD	1
606	315T3400-62		..CHANNEL	B,D,F ,H,Z, AC,AD	1
609	BACR15BA3AD		..RIVET- (SIZE DETERMINE ON INST)	B,D,F ,H,Z, AC,AD	4

71-11-32

 ILLUSTRATED PARTS LIST
 01.1 Page 1082P
 Jul 01/03

BOEING
 COMPONENT
 MAINTENANCE MANUAL

FIG. & ITEM	PART NO.	AIRLINE PART NUMBER	NOMENCLATURE 1234567	EFF CODE	QTY PER ASSY
04-612	BRM200C08M		..NUTPLATE- (V52828) (SPEC BACN10JP08ACM) (OPT MK1001-08BAC (V15653)) (OPT NS103197SE82 (V80539)) (OPT T8080C832 (V11815)) (OPT VN202D1-82 (V92215)) (OPT 109A9201M82 (V72962))	B,D,F ,H,Z, AC,AD	1
615	BRF100C08M		..NUTPLATE- (V52828) (SPEC BACN10KB08CFM) (OPT 109F9207-82 (V72962)) (OPT T8113C832C (V11815)) (OPT VN151D1-82 (V92215)) (OPT F2001-08 (V15653)) (OPT 109F9207-82 (V72962))	B,D,F ,H,Z, AC,AD	1
R 618	HL11VAZ6-5		..BOLT- (V60516) (SPEC BACB30NW6K5) (OPT HL11V6-5 (V92215)) (OPT HL11V6-5 (V97928)) (OPT L803-6-5 (V06725)) (OPT B30NW6K5 (V97928)) (OPT HL11VAZ6-5 (V73197)) (OPT HL11VAZ6-5 (V92215)) (OPT HL11VAZ6-5 (V56878))	B,D,F ,H,Z, AC,AD	3
621	BACB30M6		DELETED		

71-11-32

ILLUSTRATED PARTS LIST
 01.1 Page 1082Q
 Jul 01/03

FIG. & ITEM	PART NO.	AIRLINE PART NUMBER	NOMENCLATURE 1234567	EFF CODE	QTY PER ASSY
04-621A	HL79-6		..COLLAR- (V5M902) (SPEC BACC30M6) (OPT HL79-6 (V73197)) (OPT HL79-6 (V92215)) (OPT 66014-6 (V56878)) (OPT HL79-6 (V56878))	B,D,F ,H,Z, AC,AD	3
624	315T3403-8		..FITTING ASSY-LATCH	B,D,F ,H,AC ,AD	3
-624A	315T3403-5		..FITTING ASSY-LATCH DELETED	Z	3
627	BACB28W6C015		...BUSHING- (OPT ITEM 627B)	B,D,F ,H,Z, AC,AD	1
627A	BACB28X6C015		...BUSHING- (OPT ITEM 627A)	B,D,F ,H,Z, AC,AD	1
-627B	BACB28AM06B021A		...BUSHING (OPT ITEM 627A)	B,D,F ,H,Z, AC,AD	1
630	315T3414-1		...BUSHING	B,D,F ,H,Z, AC,AD	2
633	315T3403-9		...FITTING- (OPT ITEM 633A)	B,D,F ,H,AC ,AD	1
-633A	315T3403-10		...FITTING- (OPT ITEM 633)	B,D,F ,H,AC ,AD	1
-633B	315T3403-6		...FITTING	Z	1
636	315T3416-32		..DOOR ASSY-EXH (USED ON ITEMS 15, 15A 15D, 15E, 15F, 15J)	B,D,F ,H,AC ,AD	1
-636A	315T3416-22		..DOOR ASSY-EXH	Z	1
-636B	315T3416-38		..DOOR ASSY-EXH (USED ON ITEMS 15G, 15H)	B,D,F ,H,AC ,AD	1
639	HL10VAZ5-4		ATTACHING PARTS ..BOLT- (V60516) (SPEC BACB30MY5K4) (OPT B30MY5K4 (V97928))	B,D,F ,H,Z, AC,AD	4

71-11-32

 ILLUSTRATED PARTS LIST
 01.1 Page 1082R
 Jul 01/03


BOEING
 COMPONENT
 MAINTENANCE MANUAL

FIG. & ITEM	PART NO.	AIRLINE PART NUMBER	NOMENCLATURE 1234567	EFF CODE	QTY PER ASSY
04-642	HL79-5		..COLLAR- (V5M902) (SPEC BACC30M5) (OPT HL70-5 (V73197)) (OPT HL70-5 (V92215)) (OPT 66014-5 (V56878)) (OPT HL70-5 (V56878))	B,D,F ,H,Z, AC,AD	4
645	BACB30LE4-7		..BOLT	B,D,F ,H,Z, AC,AD	4
648	BMNN10HR4		..NUT- (V08524) (SPEC BACN10HR4) (OPT BMN10HR4 (V97928)) (OPT CR59064 (V62554)) (OPT H964 (V15653)) (OPT RMLH224 (V72962)) (OPT VAL280094 (V06710)) (OPT 678324 (V56878)) (OPT H96-4 (V15653)) (OPT VAL280094 (V06710)) (OPT 678324 (V56878)) (OPT H96-4 (V15653)) (OPT RMLH22-4 (V72962)) -----*	B,D,F ,H,Z, AC,AD	4

71-11-32

 ILLUSTRATED PARTS LIST
 01.1 Page 1082S
 Jul 01/03

FIG. & ITEM	PART NO.	AIRLINE PART NUMBER	NOMENCLATURE 1234567	EFF CODE	QTY PER ASSY
04-651	MS16562-3		...PIN-SPR	B,D,F ,H,Z, AC,AD	4
654	MS20253P4-270		...PIN	B,D,F ,H,Z, AC,AD	2
657	315T3569-4		...FITTING-HINGE	B,D,F ,H,AC ,AD	1
-657A	315T3569-2		DELETED		
660	315T3569-3		...FITTING-HINGE	B,D,F ,H,AC ,AD	1
-660A	315T3569-1		...FITTING-HINGE	Z	1
663	HL13VAZ6-7		...BOLT- (V56878) (SPEC BACB30NY6K7) (OPT HL13VAZ6-7 (V73197)) (OPT HL13VAZ6-7 (V92215)) (OPT HL13VAZ6-7 (V97928)) (OPT L801-6K7 (V06725)) (OPT HL13VAZ6-7 (V08524)) (OPT HL13V7 (V06725)) (OPT L801-6K7 (VOPTK6))	B,D,F ,H,Z, AC,AD	6

71-11-32

 ILLUSTRATED PARTS LIST
 01.1 Page 1082T
 Jul 01/03


BOEING
 COMPONENT
 MAINTENANCE MANUAL

FIG. & ITEM	PART NO.	AIRLINE PART NUMBER	NOMENCLATURE 1234567	EFF CODE	QTY PER ASSY
04-666	AN960-10		...WASHER	B,D,F ,H,Z, AC,AD	6
669	HL1187DU6		...COLLAR- (V5M902) (SPEC BACC30X6S) (OPT HL87DU6 (V73197)) (OPT HL87DU6 (V92215)) (OPT HL1187DU6 (V56878)) (OPT HL1187DU6 (V92215)) (OPT HL87DU6 (V56878)) (OPT HL1187DU6 (V73197))	B,D,F ,H,Z, AC,AD	6
672	315T3416-11		...HINGE HALF	B,D,F ,H,Z, AC,AD	1
-672A	315T3416-7		...HINGE HALF	Z	1
675	MS20257XC5-300		...HINGE HALF- (OPT ITEM 675A) (USED ON ITEM 636)	B,D,F ,H,AC ,AD	1
-675A	315T3416-11		...HINGE HALF- (OPT ITEM 675) (USED ON ITEM 636)	B,D,F ,H,AC ,AD	1
-675B	MS20257XC5-300		DELETED		
-675C	315T3416-11		...HINGE HALF- (USED ON ITEM 636B)	B,D,F ,H,AC ,AD	1
-675D	MS20257XC5-300		...HINGE HALF	Z	1
-675E	MS20257YC5-300		...HINGE	Z	1

71-11-32

ILLUSTRATED PARTS LIST

01.1 Page 1082U

Jul 01/03

FIG. & ITEM	PART NO.	AIRLINE PART NUMBER	NOMENCLATURE 1234567	EFF CODE	QTY PER ASSY
04-678	315T3416-6		...DOUBLER	B,D,F ,H,Z, AC,AD	2
681	315T3416-18		...FILLER	B,D,F ,H,AC ,AD	2
-681A	BACF3F008R030NN		...FILLER	Z	1
-681B	BACF3F008N030NN		...FILLER	Z	1
682	315T3416-5		...SHIM-TAPERED	Z	2
684	BACS40R8C30F		DELETED		
684A	BACS40R008D030F		...SHIM	B,D,F ,H,AC ,AD	AR
687	HL13VAZ5-4		...BOLT- (V56878) (SPEC BACB30NY5K4) (OPT HL13VAZ5-4 (V73197)) (OPT HL13VAZ5-4 (V92215)) (OPT HL13VAZ5-4 (V97928)) (OPT L801-5K4 (V06725)) (OPT HL13VAZ5-4 (V08524)) (OPT HL13V4 (V06725)) (OPT HL13VAZ5-4 (V17446))	B,D,F ,H,Z, AC,AD	8

71-11-32

 ILLUSTRATED PARTS LIST
 01.1 Page 1082V
 Jul 01/03


BOEING
 COMPONENT
 MAINTENANCE MANUAL

FIG. & ITEM	PART NO.	AIRLINE PART NUMBER	NOMENCLATURE 1234567	EFF CODE	QTY PER ASSY
04-690	HL1187DU5		...COLLAR- (V5M902) (SPEC BACC30X5S) (OPT HL87DU5 (V73197)) (OPT HL87DU5 (V92215)) (OPT HL86DU5 (V73197)) (OPT HL86DU5 (V56878)) (OPT HL86DU5 (V92215)) (OPT HL1187DU5 (V56878)) (OPT HL1187DU5 (V92215)) (OPT HL87DU5 (V56878)) (OPT HL1187DU5 (V73197))	B,D,F ,H,Z, ,AC,AD	8
693	H5100-125-330		...LATCH- (V83014) (SPEC BACL10E125-330) (OPT H5100-2-125-330 (V83014))	B,D,F ,H,AC ,AD	1
-694	H5100-125-330		...LATCH- (V83014) (SPEC BACL10E125-330) (OPT H5100-2-125-330 (V83014))	Z	2
696	H5100-115-250		...LATCH- (V83014) (SPEC BACL10E115-250) (OPT H5100-2-115-250 (V83014)) (USED ON ITEM 636)	B,D,F ,H,AC ,AD	1
-696A	315T3416-37		...LATCH- (USED ON ITEM 636B)	B,D,F ,H,AC ,AD	1

71-11-32

ILLUSTRATED PARTS LIST

01.1 Page 1082W

Jul 01/03

FIG. & ITEM	PART NO.	AIRLINE PART NUMBER	NOMENCLATURE 1234567	EFF CODE	QTY PER ASSY
04-699	HL1012AZ5-3		...BOLT- (V97928) (SPEC BACB30NX5K3) (OPT HL12VAZ5-3 (V73197)) (OPT HL12VAZ5-3 (V92215)) (OPT HL12VAZ5-3 (V97928)) (OPT L802-5K3 (V06725)) (OPT HL12VAZ5-3 (V56878)) (OPT HL1012AZ5-3 (V0PTK6)) (OPT HL1012AZ5-3 (V06725)) (OPT HL1012AZ5-3 (V06950)) (OPT HL1012AZ5-3 (V17446)) (OPT HL1012AZ5-3 (V56878)) (OPT HL1012AZ5-3 (V60516)) (OPT HL1012AZ5-3 (V73197))	B,D,F ,H,AC ,AD	4

71-11-32

 ILLUSTRATED PARTS LIST
 01.1 Page 1082X
 Jul 01/03


BOEING
 COMPONENT
 MAINTENANCE MANUAL

FIG. & ITEM	PART NO.	AIRLINE PART NUMBER	NOMENCLATURE 1234567	EFF CODE	QTY PER ASSY
04-702	HL1187DU5		...COLLAR- (V5M902) (SPEC BACC30X5S) (OPT HL87DU5 (V73197)) (OPT HL87DU5 (V92215)) (OPT HL86DU5 (V73197)) (OPT HL86DU5 (V56878)) (OPT HL86DU5 (V92215)) (OPT HL1187DU5 (V56878)) (OPT HL1187DU5 (V92215)) (OPT HL87DU5 (V56878)) (OPT HL1187DU5 (V73197))	B,D,F ,H,AC ,AD	4
705	315T3416-33		...BRACKET	B,D,F ,H,AC ,AD	1
-705A	315T3416-8		DELETED		
708	315T3416-9		...BRACKET- (USED ON ITEM 636)	B,D,F ,H,AC ,AD	1
-708A	315T3416-35		...BRACKET- (USED ON ITEM 636B)	B,D,F ,H,AC ,AD	1
711	HL10VAZ5-5		...BOLT- (V60516) (SPEC BACB30MY5K5) (OPT B30MY5K5 (V97928))	B,D,F ,H,Z, AC,AD	4

71-11-32

ILLUSTRATED PARTS LIST

01.1 Page 1082Y

Jul 01/03

FIG. & ITEM	PART NO.	AIRLINE PART NUMBER	NOMENCLATURE 1234567	EFF CODE	QTY PER ASSY
04-714	HL79-5		...COLLAR- (V5M902) (SPEC BACC30M5) (OPT HL70-5 (V73197)) (OPT HL70-5 (V92215)) (OPT 66014-5 (V56878)) (OPT HL70-5 (V56878))	B,D,F ,H,Z, AC,AD	4
717	BACR15BA5D5		...RIVET	B,D,F ,H,Z, AC,AD	2
720	315T3416-25		...CHANNEL-RTNR	B,D,F ,H,AC ,AD	1
-720A	315T3416-16		...CHANNEL-RTNR	Z	1
723	315T3416-24		...CHANNEL-RTNR	B,D,F ,H,AC ,AD	1
-723A	315T3416-15		...CHANNEL-RTNR	Z	1
726	315T3416-26		...CHANNEL-RTNR	B,D,F ,H,AC ,AD	1
-726A	315T3416-17		...CHANNEL-RTNR	Z	1
729	8425-67		...SEAL-FIRE (V11960) (SPEC S315T107-67)	B,D,F ,H,Z, AC,AD	1
732	315T3416-28		...DOOR	B,D,F ,H,AC ,AD	1
-732A	315T3416-27		...DOOR	Z	1
733	BAC27EPPS10048		...MARKER-ALUMINUM FOIL (LIMITED) (USED ON ITEM 636)	B,D,F ,H,AC ,AD	1

71-11-32

 ILLUSTRATED PARTS LIST
 01.1 Page 1082Z
 Jul 01/03


BOEING
 COMPONENT
 MAINTENANCE MANUAL

FIG. & ITEM	PART NO.	AIRLINE PART NUMBER	NOMENCLATURE 1234567	EFF CODE	QTY PER ASSY
04-735	315T3578-1		..SIGNAL INSTL-LATCH	B,D,F ,H,AC ,AD	1
738	NAS509-4C		...NUT	B,D,F ,H,AC ,AD	2
741	AN960C416L		...WASHER	B,D,F ,H,AC ,AD	1
744	315T1452-2		...ROD	B,D,F ,H,AC ,AD	1
747	315T3577-1		...SPRING	B,D,F ,H,AC ,AD	1
750	315T1450-2		...FILLER	B,D,F ,H,AC ,AD	1
753	315T1451-2		...HANDLE ASSY	B,D,F ,H,AC ,AD	1
753G	MS20427M5	RIVET- (SIZE DETERMINE ON INST)	B,D,F ,H,AC ,AD	2
753M	MS20427M4	RIVET- (SIZE DETERMINE ON INST)	B,D,F ,H,AC ,AD	2
754	315T1451-5	BRACKET	B,D,F ,H,AC ,AD	1
754G	315T1451-4	HANDLE	B,D,F ,H,AC ,AD	1
754M	315T1451-3	FILLER	B,D,F ,H,AC ,AD	1
756	315T3401-77		..PANEL ASSY-WALL	A,C,E ,G ,J-P	1
-756A	315T3401-55		..PANEL ASSY-WALL (OPT ITEM 756B)	Y,AA, AB	1
-756B	315T3401-67		..PANEL ASSY-WALL (OPT ITEM 756A)	Y,AA, AB	1

71-11-32

ILLUSTRATED PARTS LIST

01.1

Page 1083

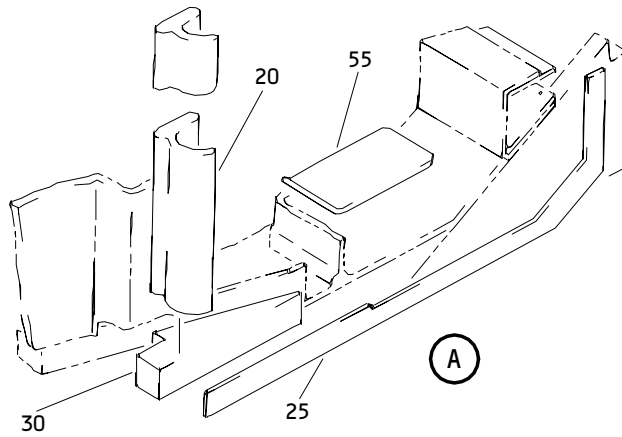
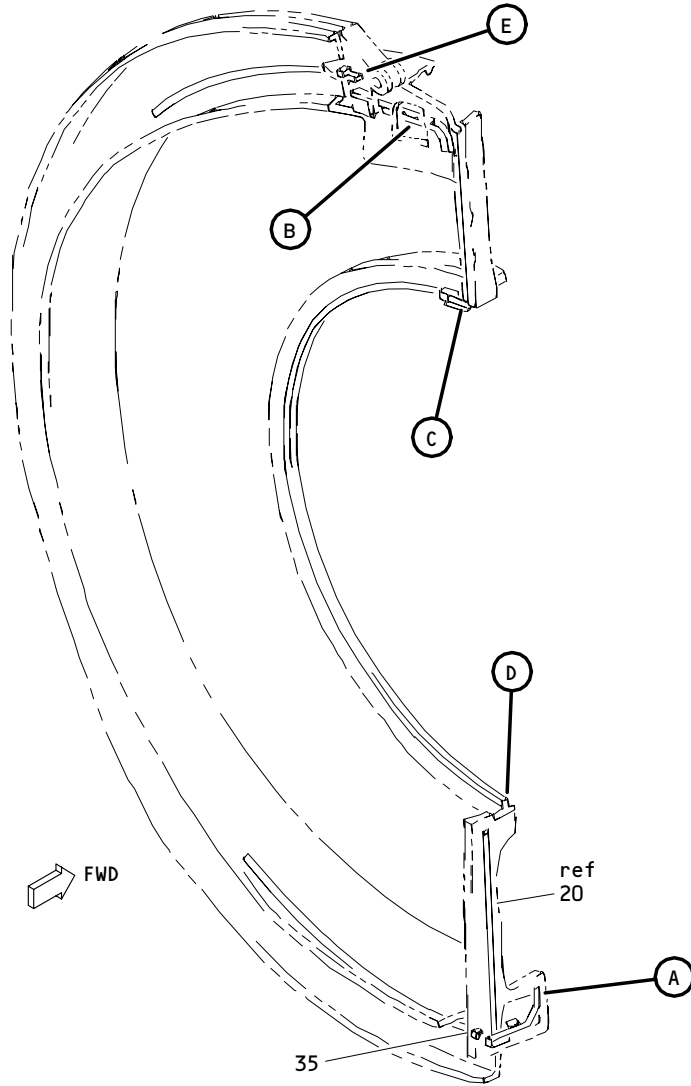
Jul 01/03

FIG. & ITEM	PART NO.	AIRLINE PART NUMBER	NOMENCLATURE 1234567	EFF CODE	QTY PER ASSY
04- -759	315T3401-78		..PANEL ASSY-WALL	B,D,F ,H,AC ,AD	1
-759A	315T3401-56		..PANEL ASSY-WALL (OPT ITEM 759B)	Z	1
-759B	315T3401-68		..PANEL ASSY-WALL (OPT ITEM 759B)	Z	1
762	NAS1398CW4		...RIVET- (SIZE DETERMINE ON INST)	A,C,E ,G, J-P,Y ,AA,A B	9
765	315T3401-39		...RETAINER-SEAL	A,C,E ,G, J-P,Y ,AA,A B	1
768	315T3401-79		...BOND ASSY	A,C,E ,G, J-P	1
-768A	315T3401-57		...BOND ASSY- (USED ON ITEM 756A)	Y,AA, AB	1
-768B	315T3401-69		...BOND ASSY- (USED ON ITEM 756B)	Y,AA, AB	1
-771	315T3401-80		...BOND ASSY	B,D,F ,H,AC ,AD	1
-771A	315T3401-58		...BOND ASSY- (REPL BY ITEM 771B) (OPT ITEM 711B) (USED ON ITEM 759A)	Z	1
-771B	315T3401-72		...BOND ASSY- (REPLS ITEM 771A) (OPT ITEM 771A) (USED ON ITEM 759A)	Z	1
-771C	315T3401-70		...BOND ASSY- (USED ON ITEM 759B)	Z	1
774	BAC27TTR0035		..DECAL		1

- Item Not Illustrated

71-11-32

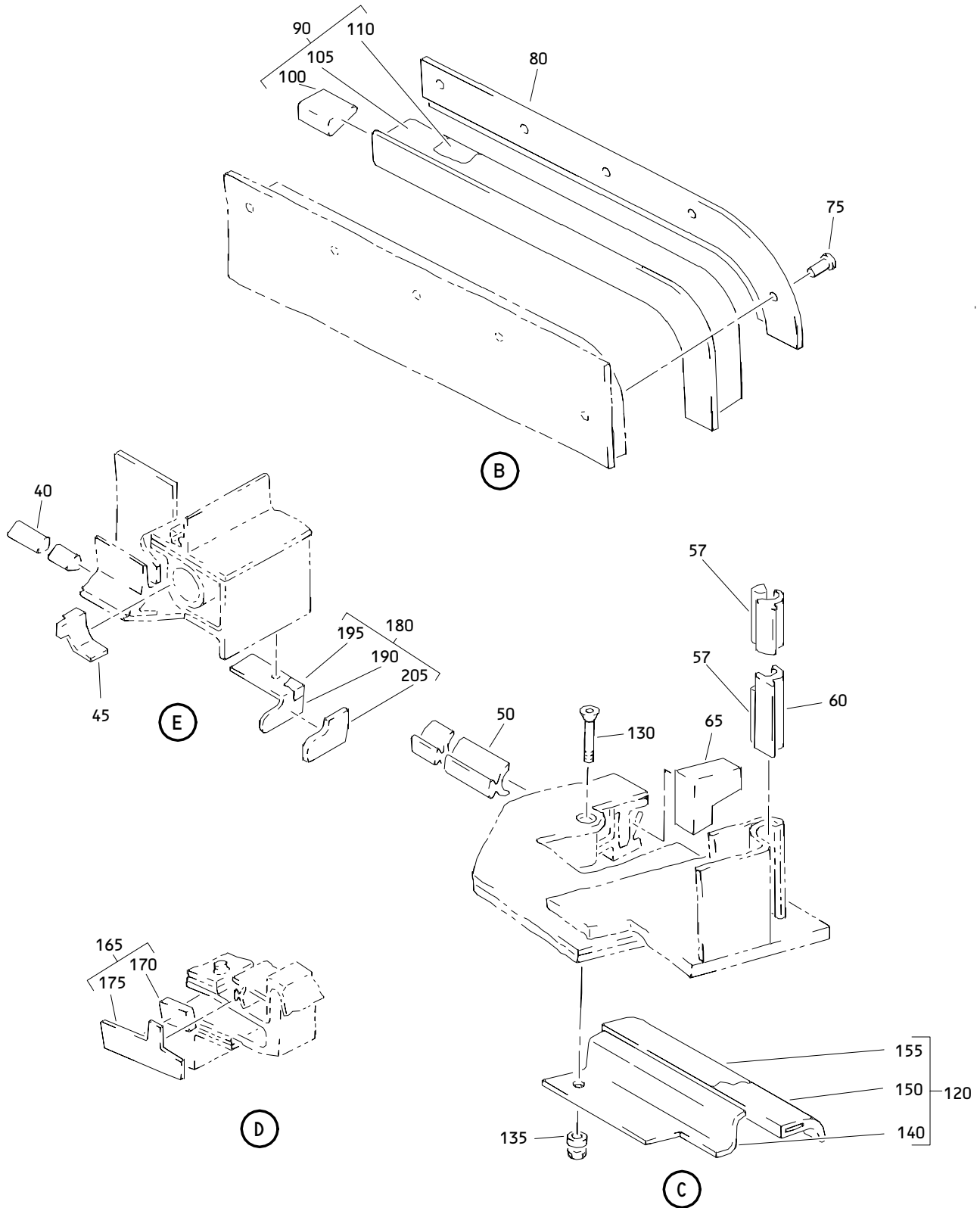
ILLUSTRATED PARTS LIST
 01.1 Page 1084
 Jul 01/03



Thrust Reverser Fan Duct Aerodynamic Seal Installation
Figure 5 (Sheet 1)

71-11-32

ILLUSTRATED PARTS LIST
01.1 Page 1084A
Jul 01/03



Thrust Reverser Fan Duct Aerodynamic Seal Installation
 Figure 5 (Sheet 2)

71-11-32

ILLUSTRATED PARTS LIST
 01.1 Page 1084B
 Jul 01/03


BOEING
 COMPONENT
 MAINTENANCE MANUAL

FIG. & ITEM	PART NO.	AIRLINE PART NUMBER	NOMENCLATURE 1234567	EFF CODE	QTY PER ASSY
05- -1	315T3240-1		SEAL INSTL-THRUST REVERSER FAN DUCT AERODYN	A,C,E ,G, J-P,Y ,AA,A B	RF
-5	315T3240-2		SEAL INSTL-THRUST REVERSER FAN DUCT AERODYN	B,D,F ,H,Z, AC,AD	RF
-10	315T3240-5001		.SEAL INSTL- (LIMITED)	A,C,E ,G, J-P,Y ,AA,A B	1
-10A	315T3240-5005		.SEAL INSTL- (LIMITED)	A,C,E ,G, J-P,Y ,AA,A B	1
-10B	315T3240-5007		.SEAL INSTL- (LIMITED)	A,C,E ,G, J-P,Y ,AA,A B	1
-15	315T3240-5002		.SEAL INSTL- (LIMITED)	B,D,F ,H,Z, AC,AD	1
-15A	315T3240-5006		.SEAL INSTL- (LIMITED)	B,D,F ,H,Z, AC,AD	1
-15B	315T3240-5008		.SEAL INSTL- (LIMITED)	B,D,F ,H,Z, AC,AD	1

71-11-32

 ILLUSTRATED PARTS LIST
 01.1 Page 1084C
 Jul 01/03

FIG. & ITEM	PART NO.	AIRLINE PART NUMBER	NOMENCLATURE 1234567	EFF CODE	QTY PER ASSY
05-20	315T3240-5		..SEAL	A,C,E ,G, J-P,Y ,AA,A B	1
25	315T3241-16		..SEAL	A,C,E ,G, J-P,Y ,AA,A B	1
30	315T3241-15		..SEAL	A,C,E ,G, J-P,Y ,AA,A B	1
35	315T3241-13		..SEAL		1
40	315T3240-7		..SEAL		1
45	315T3241-14		..SEAL		1
50	315T3240-4		..SEAL- (OPT ITEM 50B) (USED ON ITEMS 10, 15)		1
-50A	315T3240-8		..SEAL- (USED ON ITEMS 10A, 10B, 15A, 15B)		1
-50B	315T3240-8		..SEAL- (OPT ITEM 50) (USED ON ITEMS 10, 15)		1
55	315T3240-6		..COVER	A,C,E ,G, J-P,Y ,AA,A B	1

71-11-32

 ILLUSTRATED PARTS LIST
 01.1 Page 1084D
 Jul 01/03


BOEING
 COMPONENT
 MAINTENANCE MANUAL

FIG. & ITEM	PART NO.	AIRLINE PART NUMBER	NOMENCLATURE 1234567	EFF CODE	QTY PER ASSY
05-57	315T3240-16		..PLUG- (LIMITED) (USED ON ITEMS 10B, 15B)		2
60	315T3240-3		..SEAL		1
65	315T3241-17		..SEAL	A,C,E ,G, J-P,Y ,AA,A B	1
-70	315T3241-18		..SEAL	B,D,F ,H,Z, AC,AD	1
75	BACR15BB5AD		..RIVET- (SIZE DETERMINE ON INST)		5
80	315T3241-1		..RETAINER	A,C,E ,G, J-P,Y ,AA,A B	1
-85	315T3241-2		..RETAINER	B,D,F ,H,Z, AC,AD	1
90	315T3241-3		..SEAL ASSY	A,C,E ,G, J-P,Y ,AA,A B	1
-95	315T3241-4		..SEAL ASSY	B,D,F ,H,Z, AC,AD	1
100	315T3241-20		...PLUG		1
105	315T3241-26		...COVER		1
110	315T3241-21		...SEAL	A,C,E ,G, J-P,Y ,AA,A B	1
-115	315T3241-22		...SEAL	B,D,F ,H,Z, AC,AD	1
120	315T3241-33		..SEAL ASSY- (USED ON ITEMS 10, 10A)	A,C,E ,G, J-P,Y ,AA,A B	1

71-11-32

ILLUSTRATED PARTS LIST

01.1 Page 1084E

Jul 01/03

FIG. & ITEM	PART NO.	AIRLINE PART NUMBER	NOMENCLATURE 1234567	EFF CODE	QTY PER ASSY
05- -120A	315T3241-41		..SEAL ASSY- (USED ON ITEM 10B)	A,C,E ,G, J-P,Y ,AA,A B	1
-125	315T3241-34		..SEAL ASSY- (USED ON ITEMS 15, 15A)	B,D,F ,H,Z, AC,AD	1
-125A	315T3241-42		..SEAL ASSY- (USED ON ITEM 15B)	B,D,F ,H,Z, AC,AD	1
130	HL523AZ5-18		ATTACHING PARTS ..BOLT- (V56878) (SPEC BACB30NZ5K18) (OPT L804-5K18 (V06725)) (OPT HL523AZ5-18 (V92215)) (OPT HL523AZ5-18 (V0PTK6)) (OPT HL523AZ5-18 (V73197)) (OPT HL523AZ5-18 (V97928)) (OPT HL523AZ5-18 (V06725)) (OPT HL523AZ5-18 (V60516))		1

71-11-32

 ILLUSTRATED PARTS LIST
 01.1 Page 1084F
 Jul 01/03


BOEING
 COMPONENT
 MAINTENANCE MANUAL

FIG. & ITEM	PART NO.	AIRLINE PART NUMBER	NOMENCLATURE 1234567	EFF CODE	QTY PER ASSY
05-135	HL79-5		..COLLAR- (V5M902) (SPEC BACC30M5) (OPT HL70-5 (V73197)) (OPT HL70-5 (V92215)) (OPT 66014-5 (V56878)) (OPT HL70-5 (V56878)) -----*		1
140	315T3241-37		...BRACKET- (USED ON ITEM 120)	A,C,E ,G, J-P,Y ,AA,A B	1
-140A	315T3241-45		...BRACKET- (USED ON ITEM 120A)	A,C,E ,G, J-P,Y ,AA,A B	1
-145	315T3241-38		...BRACKET- (USED ON ITEM 125)	B,D,F ,H,Z, AC,AD	1
-145A	315T3241-46		...BRACKET- (USED ON ITEM 125A)	B,D,F ,H,Z, AC,AD	1
150	315T3241-39		...COVER- (USED ON ITEMS 120, 125)		1
-150A	315T3241-47		...COVER- (USED ON ITEMS 120A, 125A)		1

71-11-32

 ILLUSTRATED PARTS LIST
 01.1 Page 1084G
 Jul 01/03

FIG. & ITEM	PART NO.	AIRLINE PART NUMBER	NOMENCLATURE 1234567	EFF CODE	QTY PER ASSY
05-155	315T3241-35		...SEAL- (USED ON ITEM 120)	A,C,E ,G, J-P,Y ,AA,A B	1
-155A	315T3241-43		...SEAL- (USED ON ITEM 120A)	A,C,E ,G, J-P,Y ,AA,A B	1
-160	315T3241-36		...SEAL- (USED ON ITEM 125)	B,D,F ,H,Z, AC,AD	1
-160A	315T3241-44		...SEAL- (USED ON ITEM 125A)	B,D,F ,H,Z, AC,AD	1
165	315T3241-19		..SEAL ASSY	A,C,E ,G, J-P,Y ,AA,A B	1
170	315T3241-32		...SPACER	A,C,E ,G, J-P,Y ,AA,A B	1
175	315T3241-31		...PAD	A,C,E ,G, J-P,Y ,AA,A B	1
180	315T3241-11		..SEAL ASSY	A,C,E ,G, J-P,Y ,AA,A B	1

71-11-32

ILLUSTRATED PARTS LIST

01.1 Page 1084H

Jul 01/03


BOEING
 COMPONENT
 MAINTENANCE MANUAL

FIG. & ITEM	PART NO.	AIRLINE PART NUMBER	NOMENCLATURE 1234567	EFF CODE	QTY PER ASSY
05- -185	315T3241-12		..SEAL ASSY	B,D,F ,H,Z, AC,AD	1
190	315T3241-26		...COVER		1
195	315T3241-27		...SEAL	A,C,E ,G, J-P,Y ,AA,A B	1
-200	315T3241-28		...SEAL	B,D,F ,H,Z, AC,AD	1
205	315T3241-29		...PAD	A,C,E ,G, J-P,Y ,AA,A B	1
-210	315T3241-30		...PAD	B,D,F ,H,Z, AC,AD	1

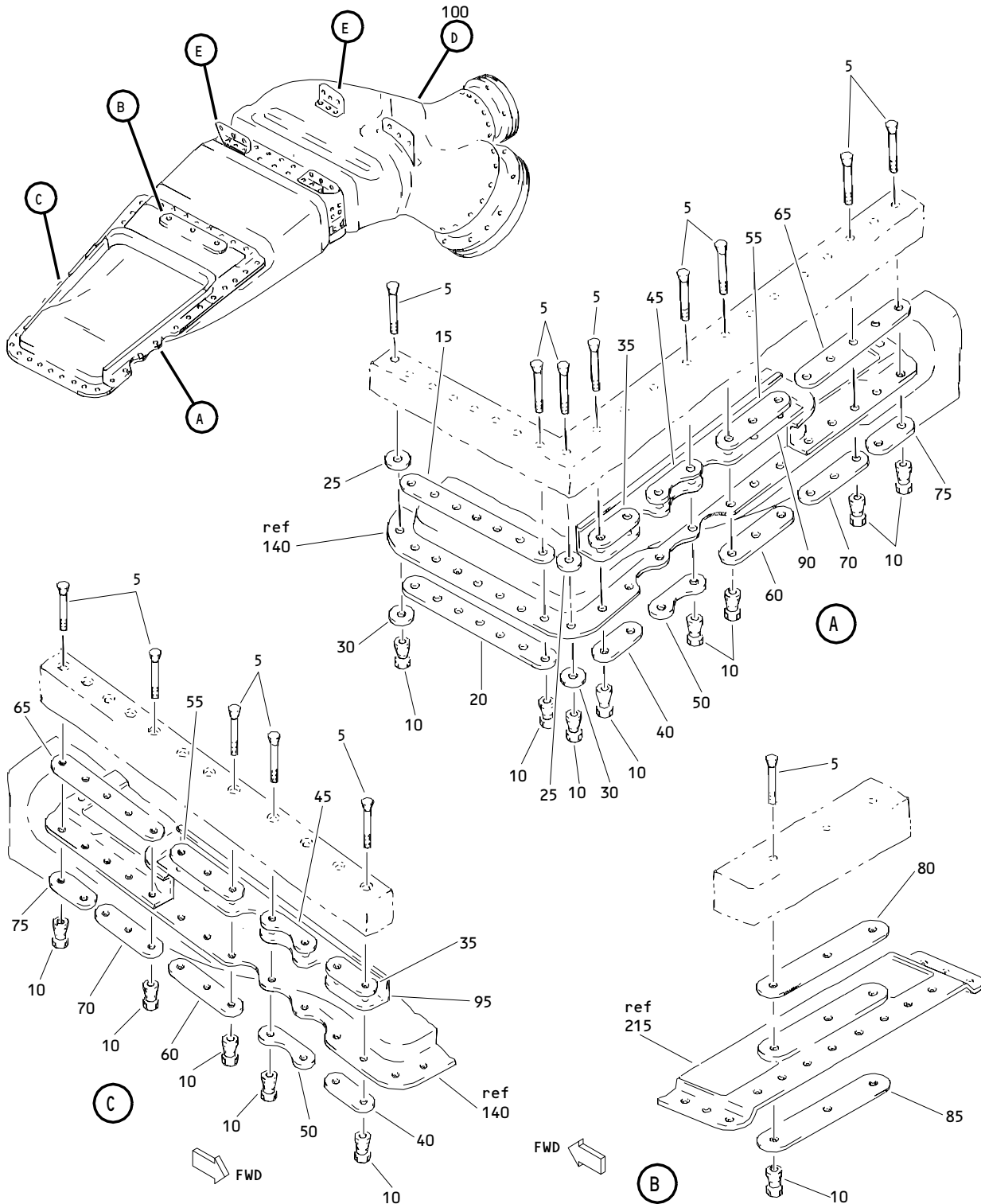
- Item Not Illustrated

71-11-32

ILLUSTRATED PARTS LIST

01.1 Page 1084I

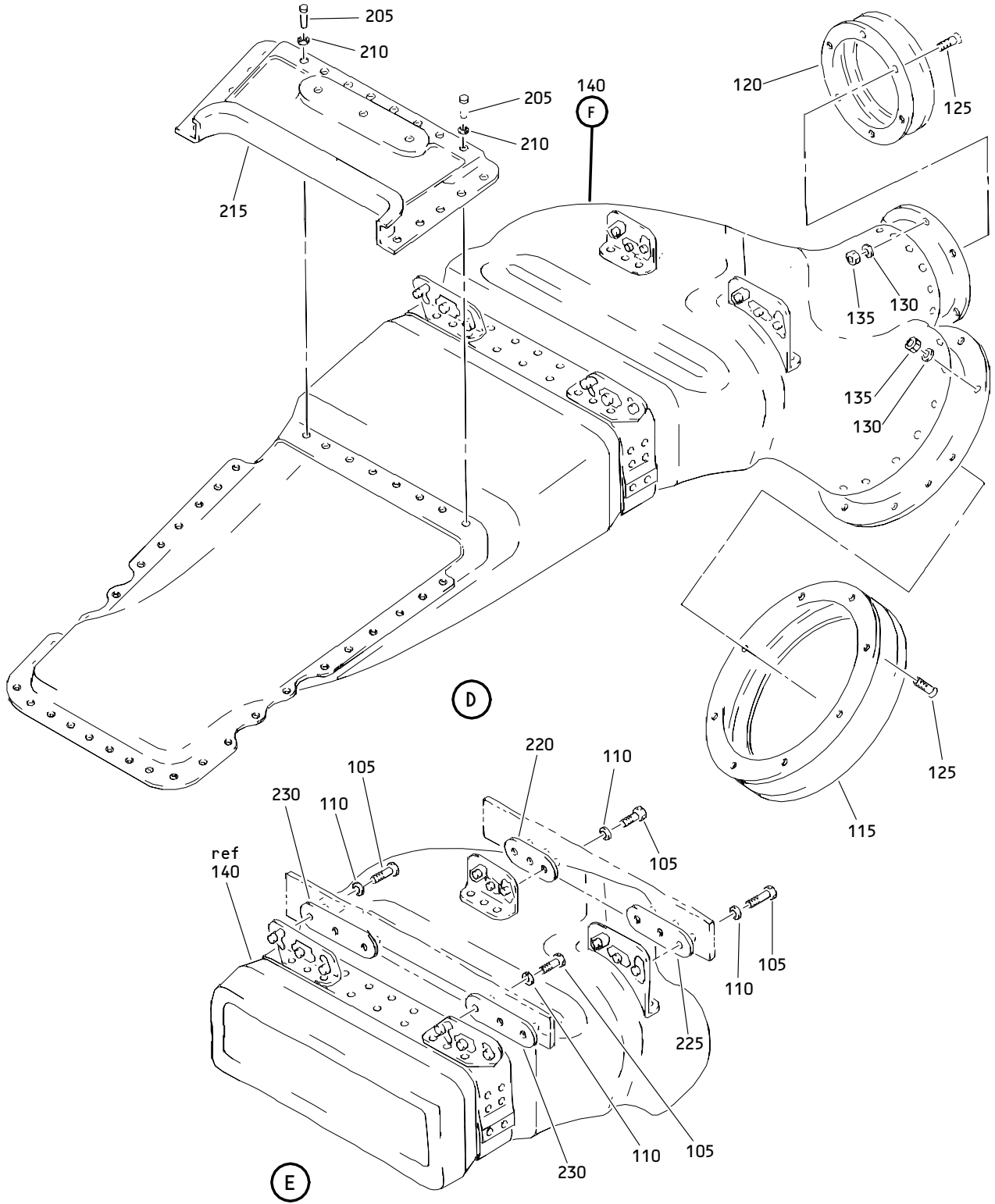
Jul 01/03



Engine Outboard and Inboard Side Fan Duct Inlet Precooler Duct Installation
 Figure 6 (Sheet 1)

71-11-32

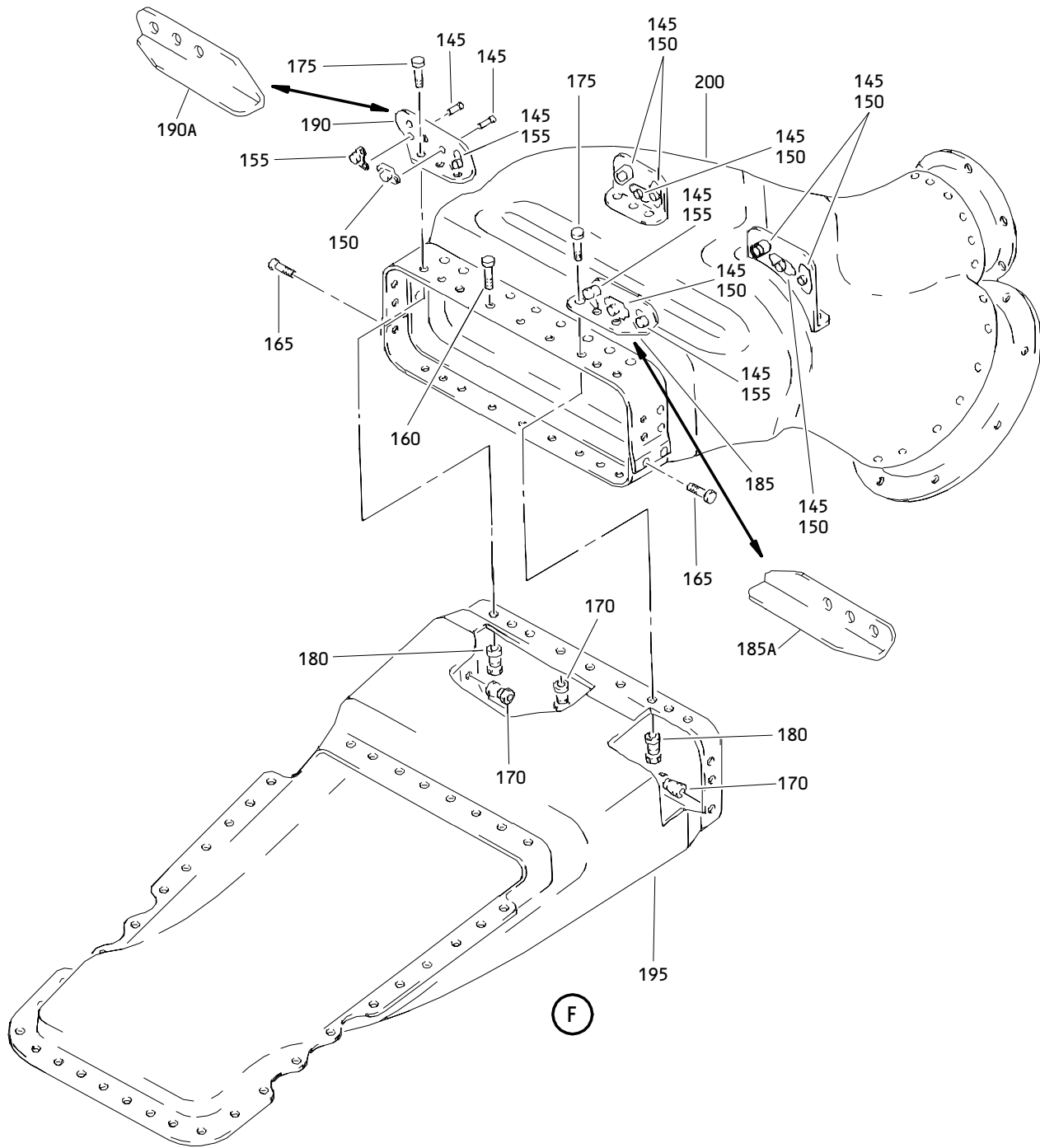
ILLUSTRATED PARTS LIST
 01.1 Page 1084J
 Jul 01/03



Engine Outboard and Inboard Side Fan Duct Inlet Pre-cooler Duct Installation
Figure 6 (Sheet 2)

71-11-32

ILLUSTRATED PARTS LIST
01.1 Page 1084K
Jul 01/03



Engine Outboard and Inboard Side Fan Duct Inlet Pre-cooler Duct Installation
Figure 6 (Sheet 3)

71-11-32

ILLUSTRATED PARTS LIST
01.1 Page 1084L
Jul 01/03


BOEING
 COMPONENT
 MAINTENANCE MANUAL

FIG. & ITEM	PART NO.	AIRLINE PART NUMBER	NOMENCLATURE 1234567	EFF CODE	QTY PER ASSY
06- -1	315T3126-1		DUCT INSTL-ENG OUTBD AND INBD SIDE FAN DUCT INLET PRECOOLER	B,D,F ,H,Z, AC,AD	RF
-3	315T3126-5001		.DUCT INSTL- (LIMITED)	B,D,F ,H,Z, AC,AD	1
-3A	315T3126-5002		.DUCT INSTL- (LIMITED)	B,D,F ,H,Z, AC,AD	1
-3B	315T3126-5003		.DUCT INSTL- (LIMITED)	B,D,F ,H,Z, AC,AD	1
-3C	315T3126-5004		.DUCT INSTL- (LIMITED)	B,D,F ,H,Z, AC,AD	1
-3D	315T3126-5005		.DUCT INSTL- (LIMITED)	B,D,F ,H,Z, AC,AD	1
5	BACB30NW6K		..BOLT- (SIZE DETERMINE ON INST)	B,D,F ,H,Z, AC,AD	36
10	HL79-6		..COLLAR- (V5M902) (SPEC BACC30M6) (OPT HL79-6 (V73197)) (OPT HL79-6 (V92215)) (OPT 66014-6 (V56878)) (OPT HL79-6 (V56878))	B,D,F ,H,Z, AC,AD	36

71-11-32

ILLUSTRATED PARTS LIST

01.1 Page 1084M

Jul 01/03

FIG. & ITEM	PART NO.	AIRLINE PART NUMBER	NOMENCLATURE 1234567	EFF CODE	QTY PER ASSY
06-15	315T3126-7		..SHIM	B,D,F ,H,Z, AC,AD	1
20	315T3126-8		..STRIP-BACKING	B,D,F ,H,Z, AC,AD	1
25	315T3126-10		..SHIM	B,D,F ,H,Z, AC,AD	2
30	315T3126-20		..STRIP-BACKING	B,D,F ,H,Z, AC,AD	2
35	315T3126-3		..SHIM	B,D,F ,H,Z, AC,AD	2
40	315T3126-4		..STRIP-BACKING	B,D,F ,H,Z, AC,AD	2
45	315T3126-5		..SHIM	B,D,F ,H,Z, AC,AD	2
50	315T3126-6		..STRIP-BACKING	B,D,F ,H,Z, AC,AD	2
55	315T3126-15		..SHIM	B,D,F ,H,Z, AC,AD	2
60	315T3126-16		..STRIP-BACKING	B,D,F ,H,Z, AC,AD	2
65	315T3126-17		..SHIM	B,D,F ,H,Z, AC,AD	2

71-11-32

ILLUSTRATED PARTS LIST

01.1 Page 1084N

Jul 01/03


BOEING
 COMPONENT
 MAINTENANCE MANUAL

FIG. & ITEM	PART NO.	AIRLINE PART NUMBER	NOMENCLATURE 1234567	EFF CODE	QTY PER ASSY
06-70	315T3126-18		..STRIP-BACKING	B,D,F ,H,Z, AC,AD	2
75	315T3126-19		..STRIP-BACKING	B,D,F ,H,Z, AC,AD	2
80	315T3126-9		..SHIM	B,D,F ,H,Z, AC,AD	1
85	315T3126-21		..STRIP-BACKING	B,D,F ,H,Z, AC,AD	1
90	315T3137-1		..MOLDING-INLET (USED ON ITEM 3B)	B,D,F ,H,Z, AC,AD	1
-90A	315T3137-1		..MOLDING-INLET (OPT ITEM 90B) (USED ON ITEMS 3 ,3A, 3C)	B,D,F ,H,Z, AC,AD	1
-90B	315T3137-3		..MOLDING-INLET (OPT ITEM 90A) (USED ON ITEMS 3 ,3A, 3C)	B,D,F ,H,Z, AC,AD	1
-90C	315T3137-3		..MOLDING-INLET (USED ON ITEM 3D)	B,D,F ,H,Z, AC,AD	1
95	315T3137-2		..MOLDING-INLET (USED ON ITEM 3B)	B,D,F ,H,Z, AC,AD	1
-95A	315T3137-2		..MOLDING-INLET (OPT ITEM 95B) (USED ON ITEMS 3 ,3A, 3C)	B,D,F ,H,Z, AC,AD	1
-95B	315T3137-4		..MOLDING-INLET (OPT ITEM 95A) (USED ON ITEMS 3 ,3A, 3C)	B,D,F ,H,Z, AC,AD	1

71-11-32

ILLUSTRATED PARTS LIST

01.1 Page 10840

Jul 01/03

FIG. & ITEM	PART NO.	AIRLINE PART NUMBER	NOMENCLATURE 1234567	EFF CODE	QTY PER ASSY
06-100	315T3126-2		..SYSTEM ASSY-INLET (USED ON ITEM 3)	B,D,F ,H,Z, AC,AD	1
-100A	315T3126-25		..SYSTEM ASSY-INLET (USED ON ITEM 3A)	B,D,F ,H,Z, AC,AD	1
-100B	315T3126-33		..SYSTEM ASSY-INLET (USED ON ITEMS 3B, 3D)	B,D,F ,H,Z, AC,AD	1
-100C	315T3126-34		..SYSTEM ASSY-INLET (USED ON ITEM 3C)	B,D,F ,H,Z, AC,AD	1
105	BACB30LJ3-4		ATTACHING PARTS ..BOLT	B,D,F ,H,Z, AC,AD	12
110	AN960PD10L		..WASHER -----*-----	B,D,F ,H,Z, AC,AD	12
115	BOE2048-0501		...SEAL- (REPLD BY ITEM 115C) (V16632) (SPEC 60B89012-501) (USED ON ITEM 100)	B,D,F ,H,Z, AC,AD	1
-115A	60B89012-504		DELETED		
-115B	60B89012-504		DELETED		
-115C	BOE2048-0504		...SEAL- (REPLS ITEM 115) (V16632) (SPEC 60B89012-504) (USED ON ITEM 100)	B,D,F ,H,Z, AC,AD	1

71-11-32

 ILLUSTRATED PARTS LIST
 01.1 Page 1084P
 Jul 01/03


BOEING
 COMPONENT
 MAINTENANCE MANUAL

FIG. & ITEM	PART NO.	AIRLINE PART NUMBER	NOMENCLATURE 1234567	EFF CODE	QTY PER ASSY
06- -115D	BOE2048-0504		...SEAL- (V16632) (SPEC 60B89012-504) (USED ON ITEMS 100A, 100B, 100C)	B,D,F ,H,Z, AC,AD	1
120	BOE2048-0502		...SEAL ASSY- (REPLD BY ITEM 120C) (V16632) (SPEC 60B89012-502) (USED ON ITEM 100)	B,D,F ,H,Z, AC,AD	1
-120A	60B89012-505		DELETED		
-120B	60B89012-505		DELETED		
-120C	BOE2048-0505		...SEAL- (REPLS ITEM 120) (V16632) (SPEC 60B89012-505) (USED ON ITEM 100)	B,D,F ,H,Z, AC,AD	1
-120D	BOE2048-0505		...SEAL- (V16632) (SPEC 60B89012-505) (USED ON ITEMS 100A, 100B, 100C)	B,D,F ,H,Z, AC,AD	1
125	BACB30LH3U3		ATTACHING PARTS ...BOLT	B,D,F ,H,Z, AC,AD	14
130	AN960C10L		...WASHER	B,D,F ,H,Z, AC,AD	14

71-11-32

ILLUSTRATED PARTS LIST

01.1 Page 1084Q

Jul 01/03

FIG. & ITEM	PART NO.	AIRLINE PART NUMBER	NOMENCLATURE 1234567	EFF CODE	QTY PER ASSY
06-135	BRH10C3		...NUT- (V52828) (SPEC BACN10JC3C) (OPT T6C1032J (V11815)) (OPT 97-02 (V80539)) (OPT 101LH9075-3W (V72962)) (OPT VN303B02 (V92215)) (OPT NS202101S02 (V80539)) (OPT H31-3BAC (V15653)) -----*	B,D,F ,H,Z, AC,AD	14
140	315T3125-16		...DUCT ASSY-INLET (USED ON ITEM 100) (REWORKED BY SB 767-78-0074)	B,D,F ,H,Z, AC,AD	1
140A	315T3125-19		...DUCT ASSY-INLET (USED ON ITEMS 100A, 100C) (REWORKED BY SB 767-78-0074)	B,D,F ,H,Z, AC,AD	1
140B	315T3125-31		...DUCT ASSY-INLET (USED ON ITEM 100B) (REWORKED BY SB 767-78-0074)	B,D,F ,H,Z, AC,AD	1
145	BACR15CE3D3	RIVET	B,D,F ,H,Z, AC,AD	24
150	BRF200C3M	NUTPLATE- (V52828) (SPEC BACN10JR3CFM) (OPT F5001-3BAC (V15653)) (OPT NS103203SE02 (V80539)) (OPT T8092C1032 (V11815)) (OPT VN152D1-02 (V92215)) (OPT 109F9201-3 (V72962))	B,D,F ,H,Z, AC,AD	8

71-11-32

 ILLUSTRATED PARTS LIST
 01.1 Page 1084R
 Jul 01/03


BOEING
 COMPONENT
 MAINTENANCE MANUAL

FIG. & ITEM	PART NO.	AIRLINE PART NUMBER	NOMENCLATURE 1234567	EFF CODE	QTY PER ASSY
06-155	NS103193SE02	NUTPLATE- (V80539) (SPEC BACN10KE3DCM) (OPT F51753-3DL (V15653))	B,D,F ,H,Z, AC,AD	4
160	HL10VAZ5-2	BOLT- (V60516) (SPEC BACB30MY5K2) (OPT B30MY5K2 (V97928))	B,D,F ,H,Z, AC,AD	16
165	HL10VAZ5-3	BOLT- (V60516) (SPEC BACB30MY5K3) (OPT B30MY5K3 (V97928))	B,D,F ,H,Z, AC,AD	2
170	HL79-5	COLLAR- (V5M902) (SPEC BACC30M5) (OPT HL70-5 (V73197)) (OPT HL70-5 (V92215)) (OPT 66014-5 (V56878)) (OPT HL70-5 (V56878))	B,D,F ,H,Z, AC,AD	18

71-11-32

ILLUSTRATED PARTS LIST

01.1 Page 1084S

Jul 01/03

FIG. & ITEM	PART NO.	AIRLINE PART NUMBER	NOMENCLATURE 1234567	EFF CODE	QTY PER ASSY
06-175	HL1012AZ5-3	BOLT- (V97928) (SPEC BACB30NX5K3) (OPT HL12VAZ5-3 (V73197)) (OPT HL12VAZ5-3 (V92215)) (OPT HL12VAZ5-3 (V97928)) (OPT L802-5K3 (V06725)) (OPT HL12VAZ5-3 (V56878)) (OPT HL1012AZ5-3 (V0PTK6)) (OPT HL1012AZ5-3 (V06725)) (OPT HL1012AZ5-3 (V06950)) (OPT HL1012AZ5-3 (V17446)) (OPT HL1012AZ5-3 (V56878)) (OPT HL1012AZ5-3 (V60516)) (OPT HL1012AZ5-3 (V73197))	B,D,F ,H,Z, AC,AD	6

71-11-32

ILLUSTRATED PARTS LIST

01.1 Page 1084T

Jul 01/03


BOEING
 COMPONENT
 MAINTENANCE MANUAL

FIG. & ITEM	PART NO.	AIRLINE PART NUMBER	NOMENCLATURE 1234567	EFF CODE	QTY PER ASSY
06-180	HL1187-5	COLLAR- (V5M902) (SPEC BACC30X5) (OPT HL87-5 (V73197)) (OPT HL87-5 (V92215)) (OPT HL86PB5 (V73197)) (OPT HL86PB5 (V56878)) (OPT HL86PB5 (V92215)) (OPT HL1187-5 (V56878)) (OPT HL1187-5 (V92215)) (OPT HL87-5 (V56878)) (OPT HL1187-5 (V73197))	B,D,F ,H,Z, AC,AD	6
185	315T3239-7	BRACKET- (USED ON ITEM 140)	B,D,F ,H,Z, AC,AD	1
185A	315T3239-17	BRACKET- (USED ON ITEMS 140A, 140B)	B,D,F ,H,Z, AC,AD	1
190	315T3239-8	BRACKET- (USED ON ITEM 140)	B,D,F ,H,Z, AC,AD	1
190A	315T3239-18	BRACKET- (USED ON ITEMS 140A, 140B)	B,D,F ,H,Z, AC,AD	1
195	315T3125-2	BOND ASSY	B,D,F ,H,Z, AC,AD	1
200	315T3125-3	BOND ASSY	B,D,F ,H,Z, AC,AD	1
205	BACR15BB5B		...RIVET- (SIZE DETERMINE ON INST)	B,D,F ,H,Z, AC,AD	8
210	AN960-8		...WASHER	B,D,F ,H,Z, AC,AD	8

71-11-32

ILLUSTRATED PARTS LIST

01.1 Page 1084U

Jul 01/03

FIG. & ITEM	PART NO.	AIRLINE PART NUMBER	NOMENCLATURE 1234567	EFF CODE	QTY PER ASSY
06-215	315T3136-1		...BOND ASSY-LIP (USED ON ITEMS 100, 100A)	B,D,F ,H,Z, AC,AD	1
-215A	315T3136-3		...BOND ASSY-LIP (USED ON ITEMS 100B, 100C)	B,D,F ,H,Z, AC,AD	1
220	315T3126-11		..SPACER- (USED ON ITEM 3)	B,D,F ,H,Z, AC,AD	1
-220A	BACS40R09B31F		..SHIM- (USED ON ITEMS 3A, 3B, 3C, 3D)	B,D,F ,H,Z, AC,AD	AR
225	315T3126-12		..SPACER- (USED ON ITEM 3)	B,D,F ,H,Z, AC,AD	1
-225A	BACS40R09B41F		..SHIM- (USED ON ITEMS 3A, 3B, 3C, 3D)	B,D,F ,H,Z, AC,AD	AR
230	315T3126-22		..SHIM- (USED ON ITEM 3)	B,D,F ,H,Z, AC,AD	2
-230A	BACS40R09B32F		..SHIM- (USED ON ITEMS 3A, 3B, 3C, 3D)	B,D,F ,H,Z, AC,AD	AR

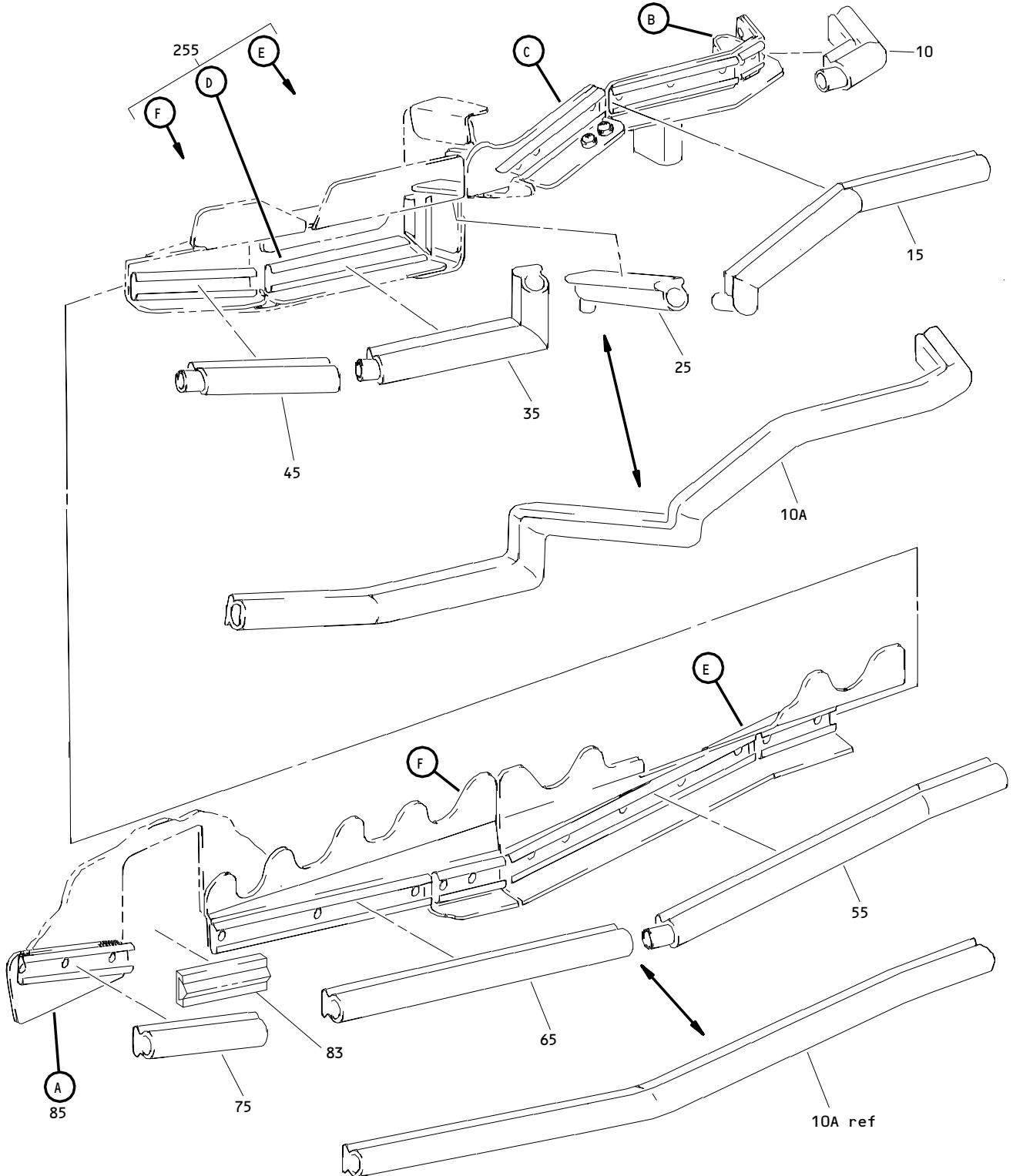
- Item Not Illustrated

71-11-32

ILLUSTRATED PARTS LIST

01.1 Page 1084V

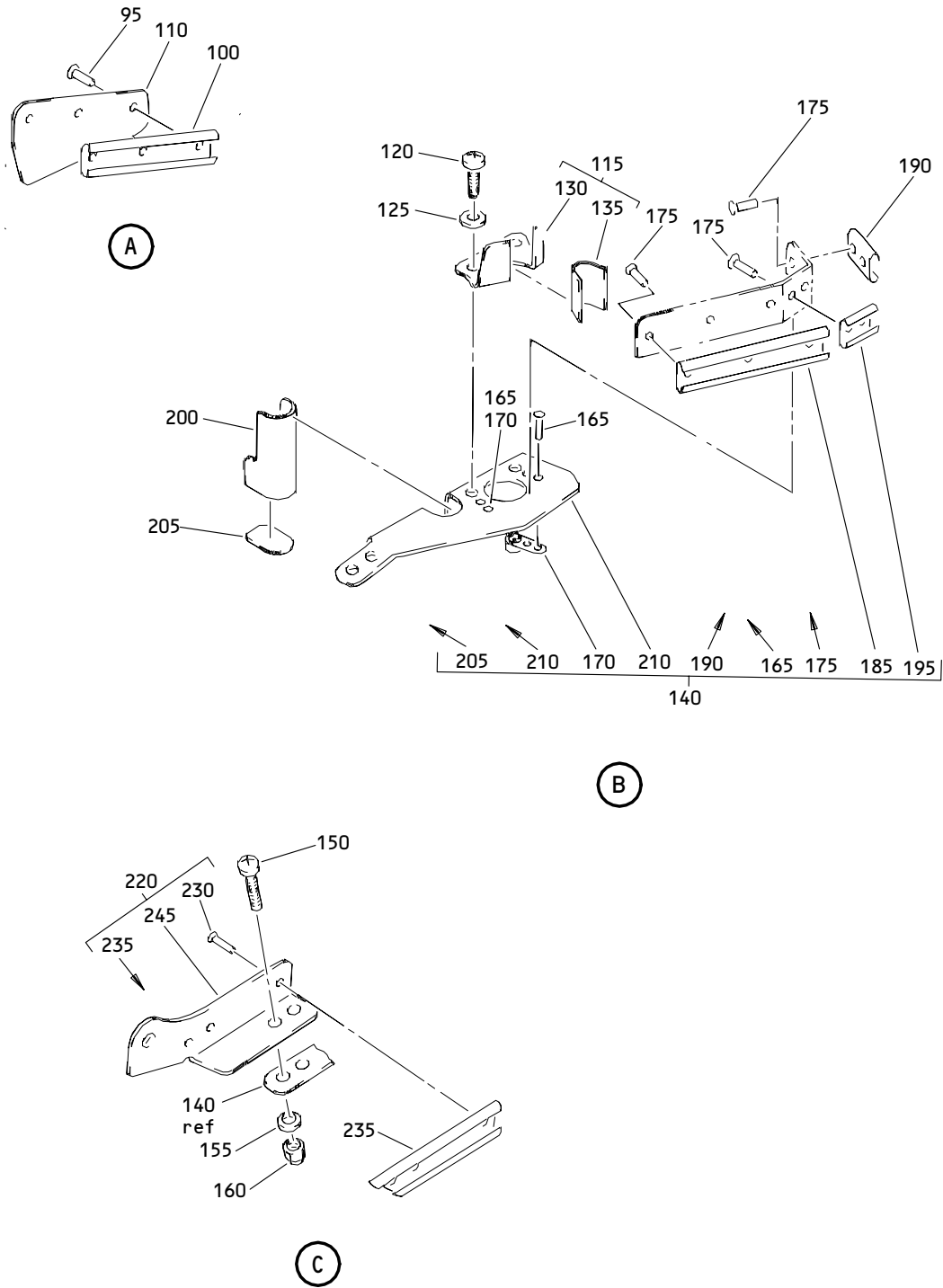
Jul 01/03



Engine Outboard Side Fan Duct Cowl Upper Bifurcation Seal Installation
 Figure 7 (Sheet 1)

71-11-32

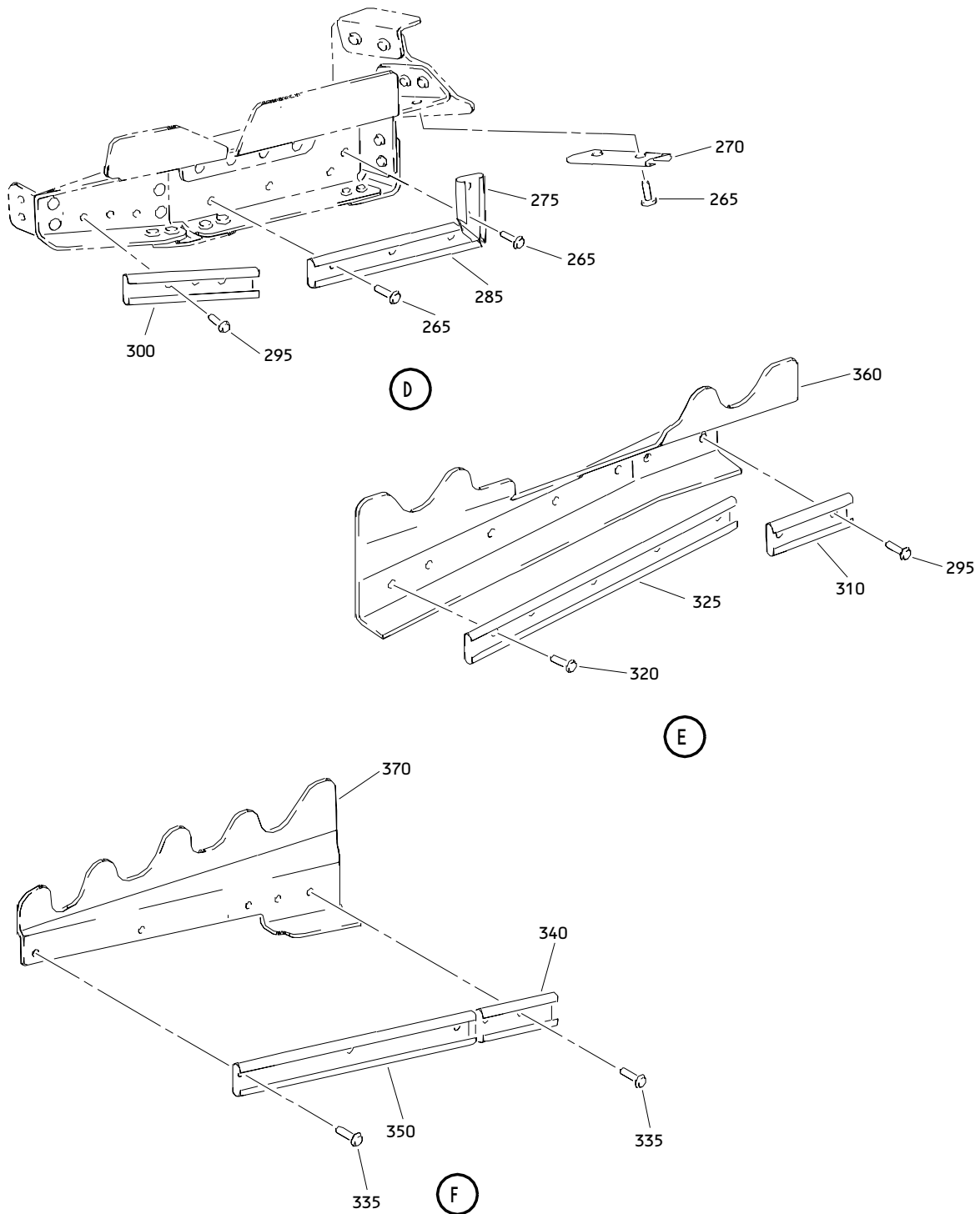
ILLUSTRATED PARTS LIST
 01.1 Page 1084X
 Jul 01/03



Engine Outboard Side Fan Duct Cowl Upper Bifurcation Seal Installation
Figure 7 (Sheet 2)

71-11-32

ILLUSTRATED PARTS LIST
01.1 Page 1084Y
Jul 01/03



Engine Outboard Side Fan Duct Cowl Upper Bifurcation Seal Installation
 Figure 7 (Sheet 3)

71-11-32

ILLUSTRATED PARTS LIST
 01.1 Page 1084Z
 Jul 01/03


BOEING
 COMPONENT
 MAINTENANCE MANUAL

FIG. & ITEM	PART NO.	AIRLINE PART NUMBER	NOMENCLATURE 1234567	EFF CODE	QTY PER ASSY
07- -1	315T3318-101		SEAL INSTL-ENG OUTBD SIDE FAN DUCT COWL UPR BIFURCATION	A,C,N ,P,Y, AA,AB	RF
-1A	315T3318-5007		SEAL INSTL-ENG OUTBD SIDE FAN DUCT COWL UPR BIFURCATION	E,G, J-M	RF
-1B	315T3318-5009		SEAL INSTL-ENG OUTBD SIDE FAN DUCT COWL UPR BIFURCATION	E,G, J-M	RF
-1C	315T3318-5011		SEAL INSTL-ENG OUTBD SIDE FAN DUCT COWL UPR BIFURCATION	E,G, J-M	RF
-1D	315T3318-5013		SEAL INSTL-ENG OUTBD SIDE FAN DUCT COWL UPR BIFURCATION	E,G, J-M	RF
-1E	315T3318-5015		SEAL INSTL-ENG OUTBD SIDE FAN DUCT COWL UPR BIFURCATION	E,G, J-M	RF
-5	315T3318-102		SEAL INSTL-ENG OUTBD SIDE FAN DUCT COWL UPR BIFURCATION	B,D,Z	RF
-5A	315T3318-5008		SEAL INSTL-ENG OUTBD SIDE FAN DUCT COWL UPR BIFURCATION	F,H,A C,AD	RF
-5B	315T3318-5010		SEAL INSTL-ENG OUTBD SIDE FAN DUCT COWL UPR BIFURCATION	F,H,A C,AD	RF
-5C	315T3318-5014		SEAL INSTL-ENG OUTBD SIDE FAN DUCT COWL UPR BIFURCATION	F,H,A C,AD	RF

71-11-32

ILLUSTRATED PARTS LIST

01.1

Page 1085

Jul 01/03



COMPONENT
MAINTENANCE MANUAL

FIG. & ITEM	PART NO.	AIRLINE PART NUMBER	NOMENCLATURE 1234567	EFF CODE	QTY PER ASSY
07-10	8425-65		.SEAL- (V11960) (SPEC S315T107-65) (8425-180 MAY REPLACE 8425-65 TOGETHER WITH 8425-53, 8425-55, 8425-57, 8425-59, 8425-61 AND 8425-63) (8425-181 MAY REPLACE 8425-65 TOGETHER WITH 8425-54, 8425-56, 8425-58, 8425-60, 8425-62 AND 8425-64)	A-D,N ,P, Y-AB	1
10A	8425-180		.SEAL- (V11960) (SPEC S315T107-180) (8425-180 MAY REPLACE 8425-65 TOGETHER WITH 8425-53, 8425-55, 8425-57, 8425-59, 8425-61 AND 8425-63)	E,G, J-M	1
-10B	8425-181		.SEAL- (V11960) (SPEC S315T107-181) (8425-181 MAY REPLACE 8425-65 TOGETHER WITH 8425-54, 8425-56, 8425-58, 8425-60, 8425-62 AND 8425-64)	F,H,A C,AD	1
15	8425-63		.SEAL- (V11960) (SPEC S315T107-63) (8425-180 MAY REPLACE 8425-63 TOGETHER WITH 8425-53, 8425-55, 8425-57, 8425-59, 8425-61 AND 8425-65)	A,C,N ,P, Y-AB	1
-20	8425-64		.SEAL- (V11960) (SPEC S315T107-64) (8425-181 MAY REPLACE 8425-64 TOGETHER WITH 8425-54, 8425-56, 8425-58, 8425-60, 8425-62 AND 8425-65)	B,D,Z	1

71-11-32


BOEING
 COMPONENT
 MAINTENANCE MANUAL

FIG. & ITEM	PART NO.	AIRLINE PART NUMBER	NOMENCLATURE 1234567	EFF CODE	QTY PER ASSY
07-25	8425-53		.SEAL- (V11960) (SPEC S315T107-53) (8425-180 MAY REPLACE 8425-53 TOGETHER WITH 8425-55, 8425-57, 8425-59, 8425-61, 8425-63 AND 8425-65)	A,C,N ,P,Y, AA,AB	1
-30	8425-54		.SEAL- (V11960) (SPEC S315T107-54) (8425-181 MAY REPLACE 8425-54 TOGETHER WITH 8425-56, 8425-58, 8425-60, 8425-62, 8425-64 AND 8425-65)	B,D,Z	1
35	8425-55		.SEAL- (V11960) (SPEC S315T107-55) (8425-180 MAY REPLACE 8425-55 TOGETHER WITH 8425-53, 8425-57, 8425-59, 8425-61, 8425-63 AND 8425-65)	A,C,N ,P,Y, AA,AB	1
-40	8425-56		.SEAL- (V11960) (SPEC S315T107-56) (8425-181 MAY REPLACE 8425-56 TOGETHER WITH 8425-54, 8425-58, 8425-60, 8425-62, 8425-64 AND 8425-65)	B,D,Z	1
45	8425-57		.SEAL- (V11960) (SPEC S315T107-57) (8425-180 MAY REPLACE 8425-57 TOGETHER WITH 8425-53, 8425-55, 8425-59, 8425-61, 8425-63 AND 8425-65)	A,C,N ,P,Y, AA,AB	1

71-11-32

ILLUSTRATED PARTS LIST

01.1 Page 1086A

Jul 01/03

FIG. & ITEM	PART NO.	AIRLINE PART NUMBER	NOMENCLATURE 1234567	EFF CODE	QTY PER ASSY
07-50	8425-58		.SEAL- (V11960) (SPEC S315T107-58) (8425-181 MAY REPLACE 8425-58 TOGETHER WITH 8425-54, 8425-56, 8425-60, 8425-62, 8425-64 AND 8425-65)	B,D,Z	1
55	8425-59		.SEAL- (V11960) (SPEC S315T107-59) (8425-180 MAY REPLACE 8425-59 TOGETHER WITH 8425-53, 8425-55, 8425-57, 8425-61, 8425-63 AND 8425-65)	A,C,N ,P,Y, AA,AB	1
-60	8425-60		.SEAL- (V11960) (SPEC S315T107-60) (8425-181 MAY REPLACE 8425-60 TOGETHER WITH 8425-54, 8425-56, 8425-58, 8425-62, 8425-64 AND 8425-65)	B,D,Z	1
65	8425-61		.SEAL- (V11960) (SPEC S315T107-61) (8425-180 MAY REPLACE 8425-61 TOGETHER WITH 8425-53, 8425-55, 8425-57, 8425-59, 8425-63 AND 8425-65)	A,C,N ,P,Y, AA,AB	1

71-11-32

 ILLUSTRATED PARTS LIST
 01.1 Page 1086B
 Jul 01/03


BOEING
 COMPONENT
 MAINTENANCE MANUAL

FIG. & ITEM	PART NO.	AIRLINE PART NUMBER	NOMENCLATURE 1234567	EFF CODE	QTY PER ASSY
07- -70	8425-62		.SEAL- (V11960) (SPEC S315T107-62) (8425-181 MAY REPLACE 8425-62 TOGETHER WITH 8425-54, 8425-56, 8425-58, 8425-60, 8425-64 AND 8425-65)	B,D,Z	1
75	8425-51		.SEAL- (V11960) (SPEC S315T107-51)	A,C,N ,P,Y, AA,AB	1
-75A	8425-182		.SEAL- (V11960) (SPEC S315T107-182)	E,G, J-M	1
-80	8425-52		.SEAL- (V11960) (SPEC S315T107-52)	B,D,Z	1
-80A	8425-183		.SEAL- (V11960) (SPEC S315T107-183)	F,H,A C,AD	1
83	315T3318-179		.SEAL- (USED ON ITEMS 1B, 1D, 1E)	E,G, J-M	1
-83A 85	315T3318-179 315T3319-25		DELETED .SUPPORT ASSY	A,C,E ,G, J-P,Y ,AA,A B	1

71-11-32

ILLUSTRATED PARTS LIST

01.1 Page 1086C

Jul 01/03

FIG. & ITEM	PART NO.	AIRLINE PART NUMBER	NOMENCLATURE 1234567	EFF CODE	QTY PER ASSY
07- -90	315T3319-26		.SUPPORT ASSY	B,D,F ,H,Z, AC,AD	1
95	BACR15CE3M		..RIVET- (SIZE DETERMINE ON INST)		3
100	315T3319-6		..RETAINER	A,C,E ,G, J-P,Y ,AA,A B	1
-105	315T3319-7		..RETAINER	B,D,F ,H,Z, AC,AD	1
110	315T3319-8		..SHEET		1
115	315T3319-31		.BRACKET ASSY- (USED ON ITEMS 1, 1A, 1C, 1E)	A,C,E ,G, J-P,Y ,AA,A B	1
-115A	315T3319-53		.BRACKET ASSY- (USED ON ITEMS 1B, 1D) ATTACHING PARTS	E,G, J-M	1
120	BACS12CK06U5		.SCREW	A,C,E ,G, J-P,Y ,AA,A B	2
125	AN960C6		.WASHER -----*-----	A,C,E ,G, J-P,Y ,AA,A B	2
130	315T3319-32		..BRACKET	A,C,E ,G, J-P,Y ,AA,A B	1

71-11-32

 ILLUSTRATED PARTS LIST
 01.1 Page 1086D
 Jul 01/03


BOEING
 COMPONENT
 MAINTENANCE MANUAL

FIG. & ITEM	PART NO.	AIRLINE PART NUMBER	NOMENCLATURE 1234567	EFF CODE	QTY PER ASSY
07-135	315T3319-20		..SHEET	A,C,E ,G, J-P,Y ,AA,A B	1
140	315T3319-33		.SUPPORT ASSY	A,C,N ,P,Y, AA,AB	1
-140A	315T3319-47		.SUPPORT ASSY- (USED ON ITEMS 1A, 1C)	E,G, J-M	1
-140B	315T3319-47		DELETED		
-140C	315T3319-51		DELETED		
-140D	315T3319-51		.SUPPORT ASSY- (USED ON ITEMS 1B, 1D, 1E)	E,G, J-M	1
-145	315T3319-34		.SUPPORT ASSY	B,D,Z	1
-145A	315T3319-48		.SUPPORT ASSY	F,H,A C,AD	1
150	BACS12CK06U5		ATTACHING PARTS .SCREW		2
155	AN760C6		.WASHER		2
160	BRH10C06		.NUT- (V52828) (SPEC BACN10JC06C) (OPT 97-62 (V80539)) (OPT 101LH9075-62W (V72962)) (OPT VN303B62 (V92215)) (OPT NS202101S62 (V80539)) (OPT H31-06BAC (V15653)) (OPT T6C632J (V11815)) -----*-----		2
165	BACR15CE3M		..RIVET- (SIZE DETERMINE ON INST)	A,C,E ,G, J-P,Y ,AA,A B	4

71-11-32

ILLUSTRATED PARTS LIST

01.1 Page 1086E

Jul 01/03

FIG. & ITEM	PART NO.	AIRLINE PART NUMBER	NOMENCLATURE 1234567	EFF CODE	QTY PER ASSY
07-170	BRF100C06M		..NUTPLATE- (V52828) (SPEC BACN10KB06CFM) (OPT F2001-06 (V15653)) (OPT T8113C632C (V11815)) (OPT VN151D1-62 (V92215)) (OPT 109F9207-62 (V72962)) (OPT F2001-06 (V15653))	A,C,N ,P,Y, AA,AB	2
-170A	BRM100C06LM		..NUTPLATE- (V52828) (SPEC BACN10JP06BCM) (OPT MK2001-06BAC (V15653)) (OPT NS103198SE62 (V80539)) (OPT T8081C632 (V11815)) (OPT VN201D1-62L (V92215)) (OPT 109A9207M62 (V72962))	E,G, J-M	2
175	BACR15CE3M		..RIVET- (SIZE DETERMINE ON INST)	A,C,E ,G, J-P,Y ,AA,A B	7
-180	MS20615-3M		..RIVET- (SIZE DETERMINE ON INST)	B,D,F ,H,Z, AC,AD	7
185	315T3319-17		..CHANNEL	A-D,N ,P, Y-AB	1
-185A	315T3319-42		..CHANNEL	E-M,A C,AD	1
190	315T3319-38		..CHANNEL	A-D,N ,P, Y-AB	1

71-11-32

 ILLUSTRATED PARTS LIST
 01.1 Page 1086F
 Jul 01/03


BOEING
 COMPONENT
 MAINTENANCE MANUAL

FIG. & ITEM	PART NO.	AIRLINE PART NUMBER	NOMENCLATURE 1234567	EFF CODE	QTY PER ASSY
07- -190A	315T3319-43		..CHANNEL	E-M,A C,AD	1
195	315T3319-39		..CHANNEL	A-D,N ,P, Y-AB	1
-195A	315T3319-44		..CHANNEL	E-M,A C,AD	1
200	315T3319-41		..SHEET- (USED ON ITEM 140A)	A,C,E ,G, J-P,Y ,AA,A B	1
-200A	315T3319-52		..SHEET- (USED ON ITEM 140D)	E,G, J-M	1
205	315T3319-13		..SHEET- (USED ON ITEM 140A)	A,C,E ,G, J-P,Y ,AA,A B	1
210	315T3319-35		..SHEET	A,C,N ,P,Y, AA,AB	1
-210A	315T3319-49		..SHEET-	E,G, J-M	1
-215	315T3319-36		..SHEET	B,D,Z	1
-215A	315T3319-50		..SHEET	F,H,A C,AD	1
220	315T3318-111		.FAIRING ASSY	A,C,N ,P,Y, AA,AB	1

71-11-32

ILLUSTRATED PARTS LIST

01.1 Page 1086G

Jul 01/03

FIG. & ITEM	PART NO.	AIRLINE PART NUMBER	NOMENCLATURE 1234567	EFF CODE	QTY PER ASSY
07-					
-220A	315T3318-135		.FAIRING ASSY-	E,G, J-M	1
-225	315T3318-112		.FAIRING ASSY	B,D,Z	1
-225A	315T3318-136		.FAIRING ASSY	F,H,A C,AD	1
230	BACR15CE3M		..RIVET- (SIZE DETERMINE ON INST)		3
235	315T3318-13		..RETAINER- (MFD FROM CRES SH BAC1494-193 F-17.09 X 3.6)	A,C,N ,P,Y, AA,AB	1
-235A	315T3318-143		..RETAINER- (MFD FROM CRES SH BAC1494-193 F-17.09 X 3.7)	E,G, J-M	1
-240	315T3318-14		..RETAINER- (MFD FROM CRES SH BAC1494-193 F-17.09 X 3.6)	B,D,Z	1
-240A	315T3318-144		..RETAINER- (MFD FROM CRES SH BAC1494-193 F-17.09 X 3.7)	F,H,A C,AD	1
245	315T3318-113		..FAIRING	A,C,E ,G, J-P,Y ,AA,A B	1
-250	315T3318-114		..FAIRING	B,D,F ,H,Z, AC,AD	1
255	315T3318-103		.FAIRING ASSY	A,C,N ,P,Y, AA,AB	1

71-11-32

 ILLUSTRATED PARTS LIST
 01.1 Page 1086H
 Jul 01/03


BOEING
 COMPONENT
 MAINTENANCE MANUAL

FIG. & ITEM	PART NO.	AIRLINE PART NUMBER	NOMENCLATURE 1234567	EFF CODE	QTY PER ASSY
07- -255A	315T3318-163		.FAIRING ASSY- (USED ON ITEM 1A)	E,G, J-M	1
-255B	315T3318-167		DELETED		
-255C	315T3318-169		.FAIRING ASSY- (USED ON ITEM 1C)	E,G, J-M	1
-255D	315T3318-185		.FAIRING ASSY- (USED ON ITEMS 1D, 1E)	E,G, J-M	1
-255E	315T3318-183		.FAIRING ASSY- (USED ON ITEM 1B)	E,G, J-M	1
-260	315T3318-104		.FAIRING ASSY	B,D,Z	1
-260A	315T3318-164		.FAIRING ASSY- (USED ON ITEM 5A)	F,H,A C,AD	1
-260B	315T3318-170		.FAIRING ASSY- (USED ON ITEM 5B)	F,H,A C,AD	1
-260C	315T3318-186		.FAIRING ASSY- (USED ON ITEM 5C)	F,H,A C,AD	1
265	MS20615-3M		..RIVET- (SIZE DETERMINE ON INST)		7
270	315T3318-45		..RETAINER- (MFD FROM CRES SH BAC1494-193 F-17.09 X 2.3)	A-D,N ,P, Y-AB	1
-270A	315T3318-157		..RETAINER- (MFD FROM CRES SH BAC1494-193 F-17.09 X 2.5)	E-M,A C,AD	1
275	315T3318-49		..RETAINER- (MFD FROM CRES SH BAC1494-193 F-17.09 X 2.1)	A,C,N ,P,Y, AA,AB	1

71-11-32

ILLUSTRATED PARTS LIST

01.1 Page 1086I

Jul 01/03

FIG. & ITEM	PART NO.	AIRLINE PART NUMBER	NOMENCLATURE 1234567	EFF CODE	QTY PER ASSY
07- -275A	315T3318-151		..RETAINER (MFD FROM CRES SH BAC1494-193 F-17.09 X 2.2)	E,G, J-M	1
-280	315T3318-50		..RETAINER- (MFD FROM CRES SH BAC1494-193 F-17.09 X 2.1)	B,D,Z	1
-280A	315T3318-152		..RETAINER- (MFD FROM CRES SH BAC1494-193 F-17.09 X 2.2)	F,H,A C,AD	1
285	315T3318-51		..RETAINER- (MFD FROM CRES SH BAC1494-193 F-17.09 X 5.0)	A,C,N ,P,Y, AA,AB	1
-285A	315T3318-153		..RETAINER- (MFD FROM CRES SH BAC1494-193 F-17.09 X 5.1)	E,G, J-M	1
-290	315T3318-52		..RETAINER- (MFD FROM CRES SH BAC1494-193 F-17.09 X 5.0)	B,D,Z	1
-290A	315T3318-154		..RETAINER- (MFD FROM CRES SH BAC1494-193 F-17.09 X 5.1)	F,H,A C,AD	1
295	MS20615-3M		..RIVET- (SIZE DETERMINE ON INST)		5
300	315T3318-47		..RETAINER- (MFD FROM CRES SH BAC1494-193 F-17.09 X 3.7)	A,C,N ,P,Y, AA,AB	1
-300A	315T3318-149		..RETAINER- (MFD FROM CRES SH BAC1494-193 F-17.09 X 3.8)	E,G, J-M	1
-305	315T3318-48		..RETAINER- (MFD FROM CRES SH BAC1494-193 F-17.09 X 3.7)	B,D,Z	1

71-11-32

 ILLUSTRATED PARTS LIST
 01.1 Page 1086J
 Jul 01/03


BOEING
 COMPONENT
 MAINTENANCE MANUAL

FIG. & ITEM	PART NO.	AIRLINE PART NUMBER	NOMENCLATURE 1234567	EFF CODE	QTY PER ASSY
07- -305A	315T3318-150		..RETAINER- (MFD FROM CRES SH BAC1494-193 F-17.09 X 3.8)	F,H,A C,AD	1
310	315T3318-27		..RETAINER- (MFD FROM CRES SH BAC1494-193 F-17.09 X 2.9)	A,C,N ,P,Y, AA,AB	1
-310A	315T3318-147		..RETAINER- (MFD FROM CRES SH BAC1494-193 F-17.09 X 3.0)	E,G, J-M	1
-315	315T3318-28		..RETAINER- (MFD FROM CRES SH BAC1494-193 F-17.09 X 2.9)	B,D,Z	1
-315A	315T3318-148		..RETAINER- (MFD FROM CRES SH BAC1494-193 F-17.09 X 3.0)	F,H,A C,AD	1
320	MS20615-3M		..RIVET- (SIZE DETERMINE ON INST)		5
325	315T3318-15		..RETAINER- (MFD FROM CRES SH BAC1494-193 F-17.09 X 10.6)	A,C,N ,P,Y, AA,AB	1
-325A	315T3318-145		..RETAINER- (MFD FROM CRES SH BAC1494-193 F-17.09 X 10.7)	E,G, J-M	1

71-11-32

ILLUSTRATED PARTS LIST

01.1 Page 1086K

Jul 01/03

FIG. & ITEM	PART NO.	AIRLINE PART NUMBER	NOMENCLATURE 1234567	EFF CODE	QTY PER ASSY
07- -330	315T3318-16		..RETAINER- (MFD FROM CRES SH BAC1494-193 F-17.09 X 10.6)	B,D,Z	1
-330A	315T3318-146		..RETAINER- (MFD FROM CRES SH BAC1494-193 F-17.09 X 10.7)	F,H,A C,AD	1
335	MS20615-3M		..RIVET- (SIZE DETERMINE ON INST)		5
340	315T3318-11		..RETAINER- (MFD FROM CRES SH BAC1494-193 F-17.09 X 2.3)	A,C,N ,P,Y, AA,AB	1
-340A	315T3318-141		..RETAINER- (MFD FROM CRES SH BAC1494-193 F-17.09 X 2.4)	E,G, J-M	1
-345	315T3318-12		..RETAINER- (MFD FROM CRES SH BAC1494-193 F-17.09 X 2.3)	B,D,Z	1
-345A	315T3318-142		..RETAINER- (MFD FROM CRES SH BAC1494-193 F-17.09 X 2.4)	F,H,A C,AD	1
350	315T3318-7		..RETAINER- (MFD FROM CRES SH BAC1494-193 F-17.09 X 7.0)	A,C,N ,P,Y, AA,AB	1

71-11-32

 ILLUSTRATED PARTS LIST
 01.1 Page 1086L
 Jul 01/03


BOEING
 COMPONENT
 MAINTENANCE MANUAL

FIG. & ITEM	PART NO.	AIRLINE PART NUMBER	NOMENCLATURE 1234567	EFF CODE	QTY PER ASSY
07- -350A	315T3318-139		..RETAINER- (MFD FROM CRES SH BAC1494-193 F-17.09 X 7.1)	E,G, J-M	1
-355	315T3318-8		..RETAINER- (MFD FROM CRES SH BAC1494-193 F-17.09 X 7.0)	B,D,Z	1
-355A	315T3318-142		..RETAINER- (MFD FROM CRES SH BAC1494-193 F-17.09 X 7.1)	F,H,A C,AD	1
360	315T3318-105		..FAIRING	A,C,E ,G, J-P,Y ,AA,A B	1
-365	315T3318-106		..FAIRING	B,D,F ,H,Z, AC,AD	1
370	315T3318-107		..FAIRING- (USED ON ITEM 255A)	A,C,E ,G, J-P,Y ,AA,A B	1
-370A	315T3318-164		DELETED		
-370B	315T3318-171		..FAIRING- (USED ON ITEMS 255C, 255D, 255E)	E,G, J-M	1
-375	315T3318-108		..FAIRING- (USED ON ITEM 260A)	B,D,F ,H,Z, AC,AD	1
-375A	315T3318-172		..FAIRING- (USED ON ITEMS 260B, 260C)	F,H,A C,AD	1

- Item Not Illustrated

71-11-32

ILLUSTRATED PARTS LIST
 01.1 Page 1086M
 Jul 01/03

FIG. & ITEM	PART NO.	AIRLINE PART NUMBER	NOMENCLATURE 1234567	EFF CODE	QTY PER ASSY
08-					
-1	315T3202-115		DELETED		
-5	315T3202-116		DELETED		
-10	315T3202-5027		DELETED		
-10A	315T3202-5029		DELETED		
-10B	315T3202-5031		DELETED		
-15	315T3202-5028		DELETED		
-15A	315T3202-5030		DELETED		
-15B	315T3202-5032		DELETED		
20	315T3633-139		DELETED		
-20A	315T3633-149		DELETED		
-25	315T3633-138		DELETED		
-25A	315T3633-150		DELETED		
30	BACR15BB3AD		DELETED		
35	BACN10KB4CFM		DELETED		
40	315T3314-7		DELETED		
-45	315T3314-8		DELETED		
50	315T3315-1		DELETED		
55	315T3314-9		DELETED		
-60	315T3314-10		DELETED		
-65	315T3202-7001		DELETED		
-70	315T3202-7002		DELETED		
75	BACB30LJ3K5		DELETED		
-75A	NAS6703A5		DELETED		
80	AN960PD10		DELETED		
85	BACN10JC3		DELETED		
90	BACB30MY6K5		DELETED		
95	BACC30M6		DELETED		
100	BACR15FT6KE		DELETED		
105	BACF3F009D009NN		DELETED		
110	BACF3F009L046NN		DELETED		

71-11-32

 ILLUSTRATED PARTS LIST
 01.1 Page 1086N
 Jul 01/03


BOEING
 COMPONENT
 MAINTENANCE MANUAL

FIG. & ITEM	PART NO.	AIRLINE PART NUMBER	NOMENCLATURE 1234567	EFF CODE	QTY PER ASSY
08-					
115	BACB30MY6K4		DELETED		
120	BACB30MY6K5		DELETED		
125	BACB30MY6K6		DELETED		
130	BACC30M6		DELETED		
135	BACB30MY8K6		DELETED		
140	BACB30MY8K7		DELETED		
145	BACC30M8		DELETED		
150	BACB30NR4K7		DELETED		
155	AN960PD416L		DELETED		
160	BACN10JC4		DELETED		
165	315T3634-2		DELETED		
170	315T3634-2		DELETED		
-175	315T3634-10		DELETED		
180	315T3634-1		DELETED		
185	315T3634-1		DELETED		
-190	315T3634-11		DELETED		
			ATTACHING PARTS		
195	BACB30MY8K11		DELETED		
200	BACB30MY8K10		DELETED		
205	BACC30M8		DELETED		
210	BACR15FT6KE		DELETED		
215	BACR15CE6KE		DELETED		
220	BACB30MY6K9		DELETED		
225	BACB30MY6K8		DELETED		
230	BACC30M6		DELETED		
235	MS21209F4-10P		DELETED		
240	BACB28AP07P038		DELETED		
245	315T3634-4		DELETED		
-250	315T3634-4		DELETED		
-255	315T3634-12		DELETED		

71-11-32

 ILLUSTRATED PARTS LIST
 01.1 Page 10860
 Jul 01/03

FIG. & ITEM	PART NO.	AIRLINE PART NUMBER	NOMENCLATURE 1234567	EFF CODE	QTY PER ASSY
08-					
-260	315T3634-3		DELETED		
-265	315T3634-3		DELETED		
-270	315T3634-13		DELETED		
275	BACS40R11B22F		DELETED		
280	BACS40R09B21F		DELETED		
285	BACS40R17B33F		DELETED		
290	315T3730-7		DELETED		
-295	315T3730-2		DELETED		
300	BACB30NX6K6		DELETED		
305	BACB30NX6K8		DELETED		
310	BACC30X6S		DELETED		
-310A	BACC30X6		DELETED		
315	BACR15BB5AD		DELETED		
317	BACR15BA5KE		DELETED		
319	BACR15BB5AD		DELETED		
321	BACB30FM5A4		DELETED		
325	315T3633-112		DELETED		
330	BACB28AP04P022		DELETED		
335	BACB28AP06P022		DELETED		
340	BACB30NX6K6		DELETED		
345	NAS43DD3-8		DELETED		
350	BACW10P69S		DELETED		
355	BACC30X6SW		DELETED		
360	315T3730-3		DELETED		
-365	315T3730-4		DELETED		
370	315T3733-113		DELETED		
-375	315T3733-114		DELETED		
380	BACB30MY6K12		DELETED		
385	BACC30M6		DELETED		
390	BACB30NX6K12		DELETED		
395	BACC30X6S		DELETED		
-395A	BACC30X6		DELETED		
400	BACR15FT6KE		DELETED		
405	315T3202-43		DELETED		
410	315T3202-44		DELETED		
415	BACR15CE5KE		DELETED		
420	BACR15BB5AD		DELETED		
425	BACR15BB6AD		DELETED		
430	315T3633-98		DELETED		
435	BACR15BA3AD		DELETED		
440	BACN10JR3CFM		DELETED		
445	315T3633-99		DELETED		
450	315T3245-1		DELETED		
455	BACR15BA5AD		DELETED		
460	MS21209F8-10		DELETED		

71-11-32

ILLUSTRATED PARTS LIST

01.1 Page 1086P

Jul 01/03


BOEING
 COMPONENT
 MAINTENANCE MANUAL

FIG. & ITEM	PART NO.	AIRLINE PART NUMBER	NOMENCLATURE 1234567	EFF CODE	QTY PER ASSY
08-					
465	315T3245-2		DELETED		
470	315T3206-19		DELETED		
-470A	315T3206-29		DELETED		
-475	315T3206-30		DELETED		
480	BACR15CE3D		DELETED		
485	BACN10KE3B2CM		DELETED		
490	315T3206-21		DELETED		
-490A	315T3206-27		DELETED		
-495	315T3206-28		DELETED		
500	315T3704-1		DELETED		
505	NAS1398CW6-5		DELETED		
510	BACR15BA3AD2		DELETED		
515	BACN10KB3		DELETED		
520	315T3704-2		DELETED		
525	315T3202-100		DELETED		
530	315T3201-21		DELETED		
-535	315T3201-22		DELETED		
540	BACB30LR3-5		DELETED		
-540A	BACB30LH3-5		DELETED		
545	315T3637-1		DELETED		
550	AN960C10L		DELETED		
555	BACN10JC3		DELETED		
560	BACB30LR3-6		DELETED		
565	BACR15BA5A		DELETED		
570	315T3201-23		DELETED		
-575	315T3201-24		DELETED		
580	315T3201-25		DELETED		
-585	315T3201-26		DELETED		
590	BACB30LR3-6		DELETED		
595	315T3201-7		DELETED		
600	315T3201-10		DELETED		
-605	315T3201-20		DELETED		
610	BACR15BB3AD		DELETED		
615	BACN10JR3F		DELETED		
620	BACB30LJ4-3		DELETED		
625	BACR15BB3AD		DELETED		
630	BACN10JN4CM		DELETED		
635	BAC27TTR0025		DELETED		
640	BAC27TTR0036		DELETED		
645	BAC27TTR0042		DELETED		

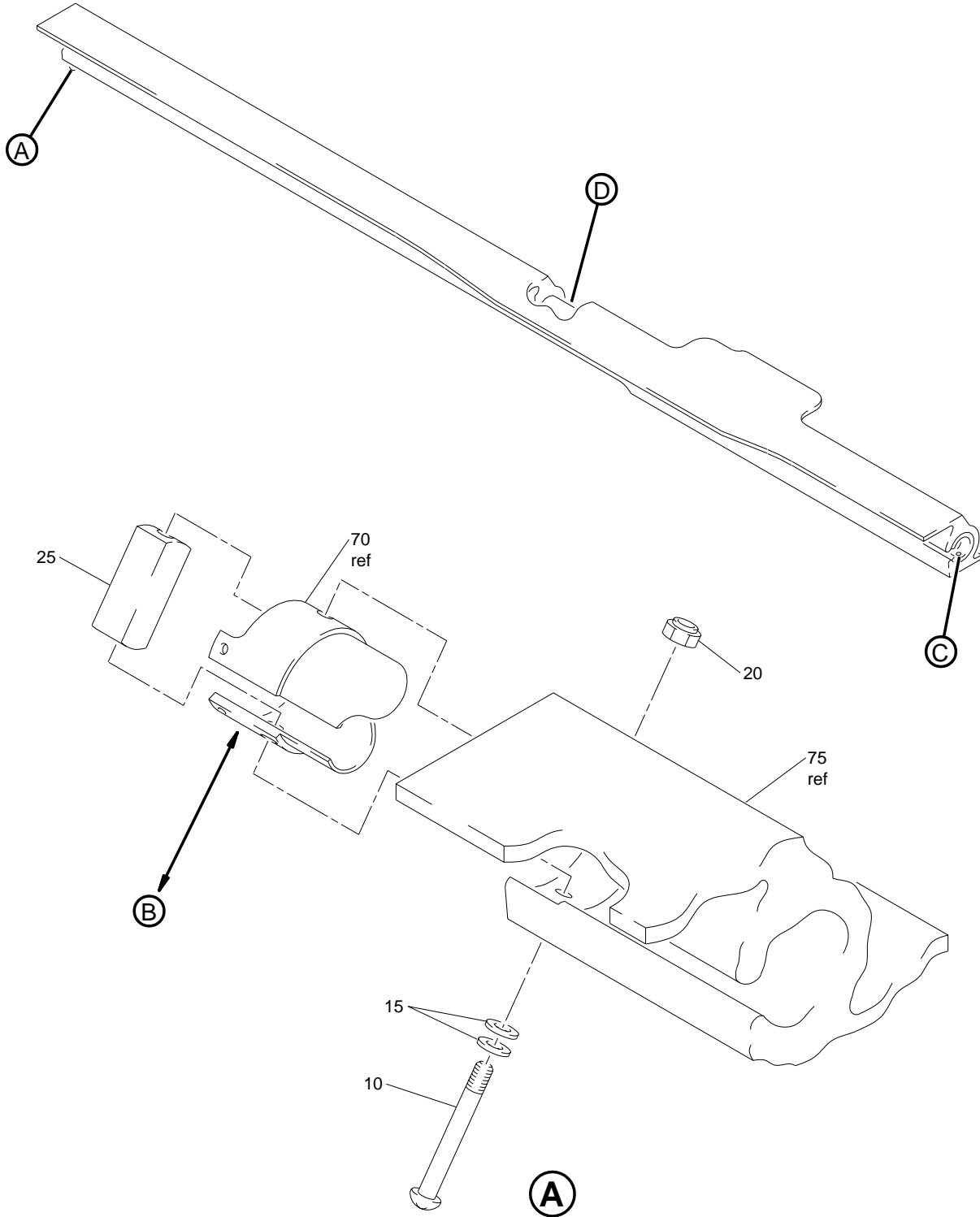
- Item Not Illustrated

71-11-32

ILLUSTRATED PARTS LIST

01.1 Page 1086Q

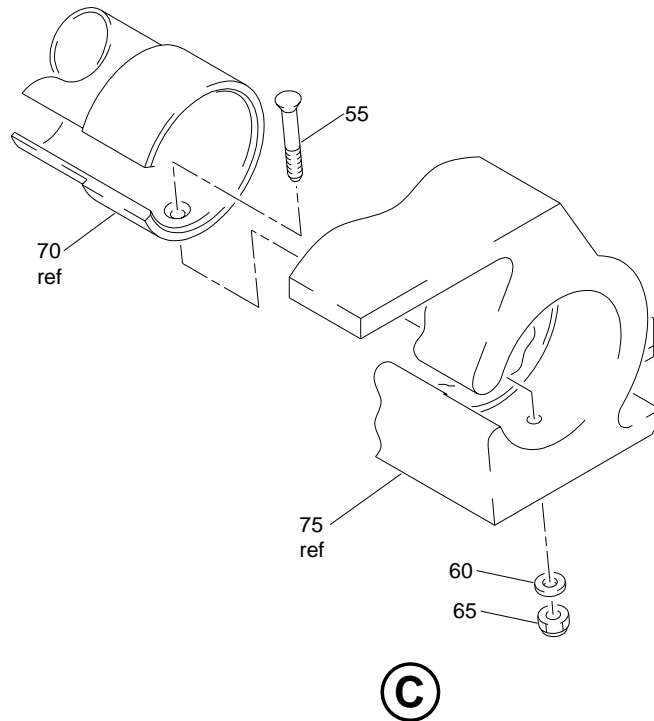
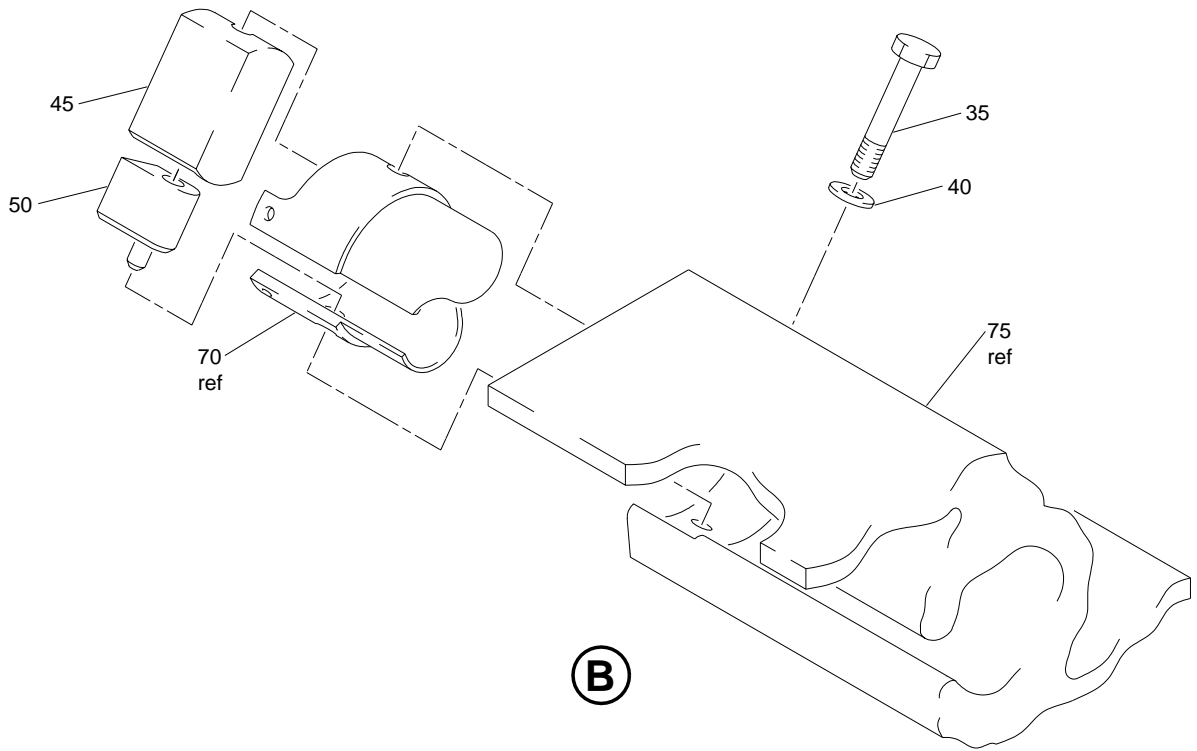
Jul 01/03



Lower Bifurcation Track Assembly
Figure 9 (Sheet 1)

71-11-32

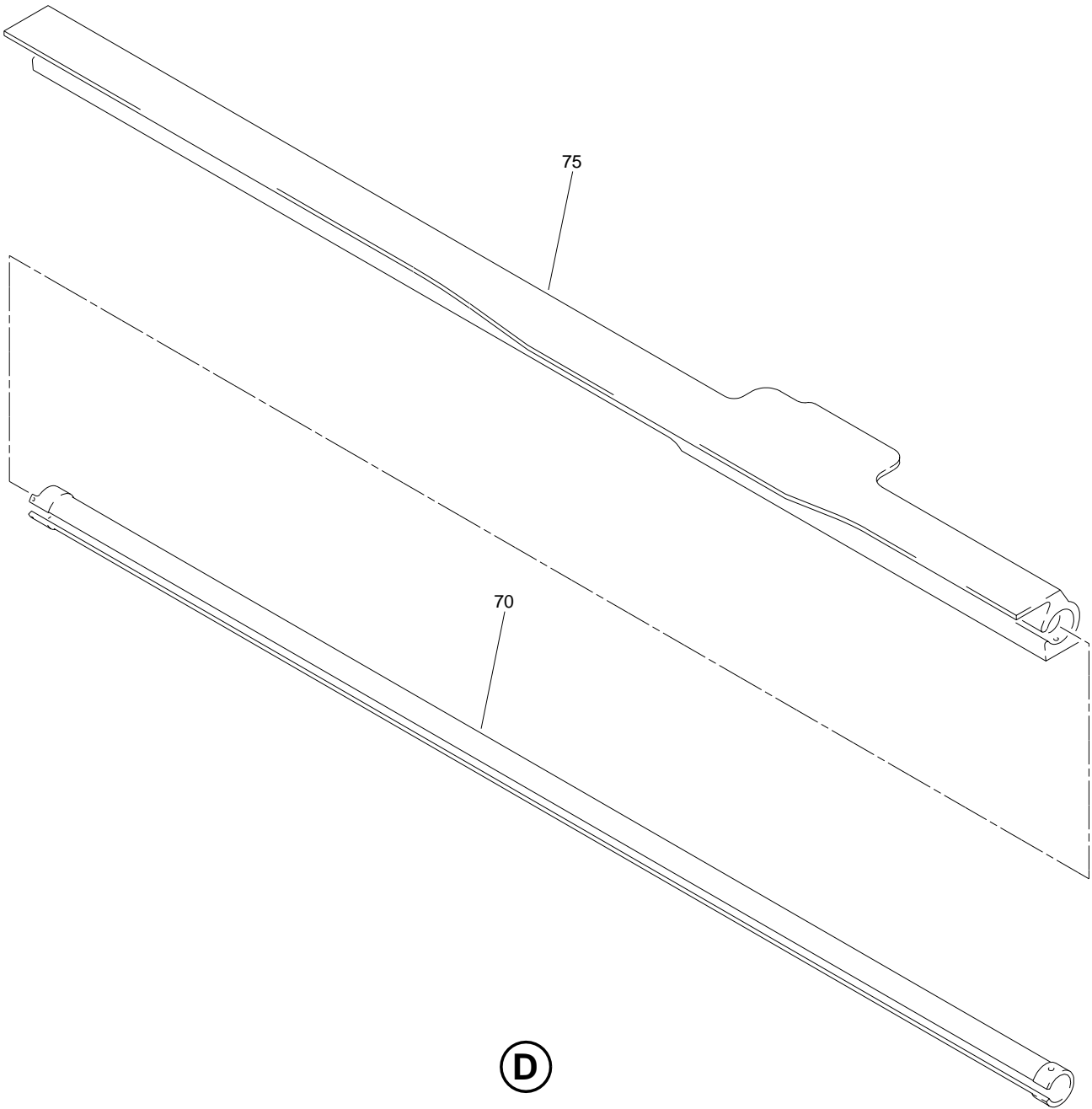
ILLUSTRATED PARTS LIST
01.1 Page 1086R
Jul 01/03



Lower Bifurcation Track Assembly
Figure 9 (Sheet 2)

71-11-32

ILLUSTRATED PARTS LIST
01.1 Page 1086S
Jul 01/03



Lower Bifurcation Track Assembly
Figure 9 (Sheet 3)

71-11-32

ILLUSTRATED PARTS LIST
01.1 Page 1086T
Jul 01/03


BOEING
 COMPONENT
 MAINTENANCE MANUAL

FIG. & ITEM	PART NO.	AIRLINE PART NUMBER	NOMENCLATURE 1234567	EFF CODE	QTY PER ASSY
09- -1A	315T3402-12		TRACK ASSY-LWR BIFURCATION	B,D,F ,H,AC ,AD	RF
-5	315T3402-13		.KIT-SUBSTITUTION (OPT ITEM 30)	B,D,F ,H,AC ,AD	1
10	NAS623-3-26		..SCREW	B,D,F ,H,AC ,AD	1
15	AN960PD10L		..WASHER	B,D,F ,H,AC ,AD	2
20	H10-3BAC		..NUT- (V15653) (SPEC BACN10JC3) (OPT NS202101-02 (V80539)) (OPT RMLH9075-3W (V72962)) (OPT VN303A02 (V92215)) (OPT 96-02 (V80539)) (OPT BRH10A3 (V52828)) (OPT T6S1032J (V11815))	B,D,F ,H,AC ,AD	1
25	315T3317-1		..RETAINER-LINER	B,D,F ,H,AC ,AD	1
-30	315T3402-14		.KIT-SUBSTITUTION (OPT ITEM 5)	B,D,F ,H,AC ,AD	1

71-11-32

 ILLUSTRATED PARTS LIST
 01.1 Page 1086U
 Jul 01/03

FIG. & ITEM	PART NO.	AIRLINE PART NUMBER	NOMENCLATURE 1234567	EFF CODE	QTY PER ASSY
09-35	BACB30LM3H15		..BOLT	B,D,F ,H,AC ,AD	1
40	AN960PD10L		..WASHER	B,D,F ,H,AC ,AD	1
45	315T3257-1		..RETAINER	B,D,F ,H,AC ,AD	1
50	315T3257-2		..PIN	B,D,F ,H,AC ,AD	1
55	HL19PB5-5		.BOLT- (V60516) (SPEC BACB30FN5-5) (OPT HL19PB5-5 (V73197)) (OPT HL19PB5-5 (V92215)) (OPT HL19PB5-5 (V97928)) (OPT 62547-5-5 (V56878)) (OPT HL19PB5-5 (V80539)) (OPT HL19PB5-5 (V08524)) (OPT HL19-5-5 (V06725)) (OPT L839-5-5 (V06725)) (OPT HL19PB5-5 (V56878))	B,D,F ,H,AC ,AD	1

71-11-32

 ILLUSTRATED PARTS LIST
 01.1 Page 1086V
 Jul 01/03


BOEING
 COMPONENT
 MAINTENANCE MANUAL

FIG. & ITEM	PART NO.	AIRLINE PART NUMBER	NOMENCLATURE 1234567	EFF CODE	QTY PER ASSY
09-60	AN960KD8		.WASHER	B,D,F H,AC AD	1
65	H10-08BAC		.NUT- (V15653) (SPEC BACN10JC08) (OPT NS202101-82 (V80539)) (OPT RMLH9075-82W (V72962)) (OPT VN303A82 (V92215)) (OPT 96-82 (V80539)) (OPT BRH10A08 (V52828)) (OPT T6S832J (V11815))	B,D,F H,AC AD	1
70	315T3415-16		.LINER	B,D,F H,AC AD	1
75	315T3402-3		.TRACK	B,D,F H,AC AD	1

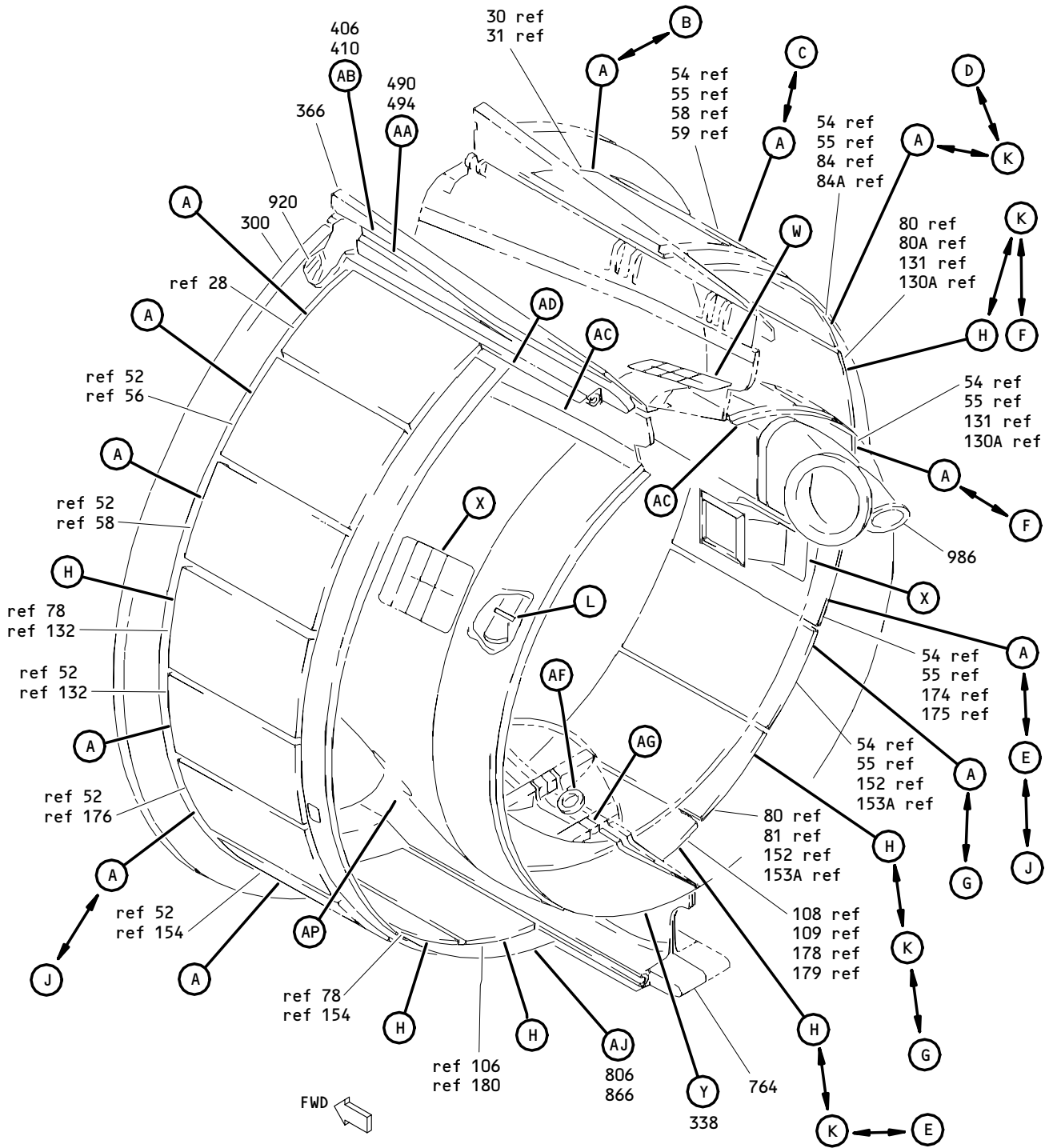
- Item Not Illustrated

71-11-32

ILLUSTRATED PARTS LIST

01.1 Page 1086W

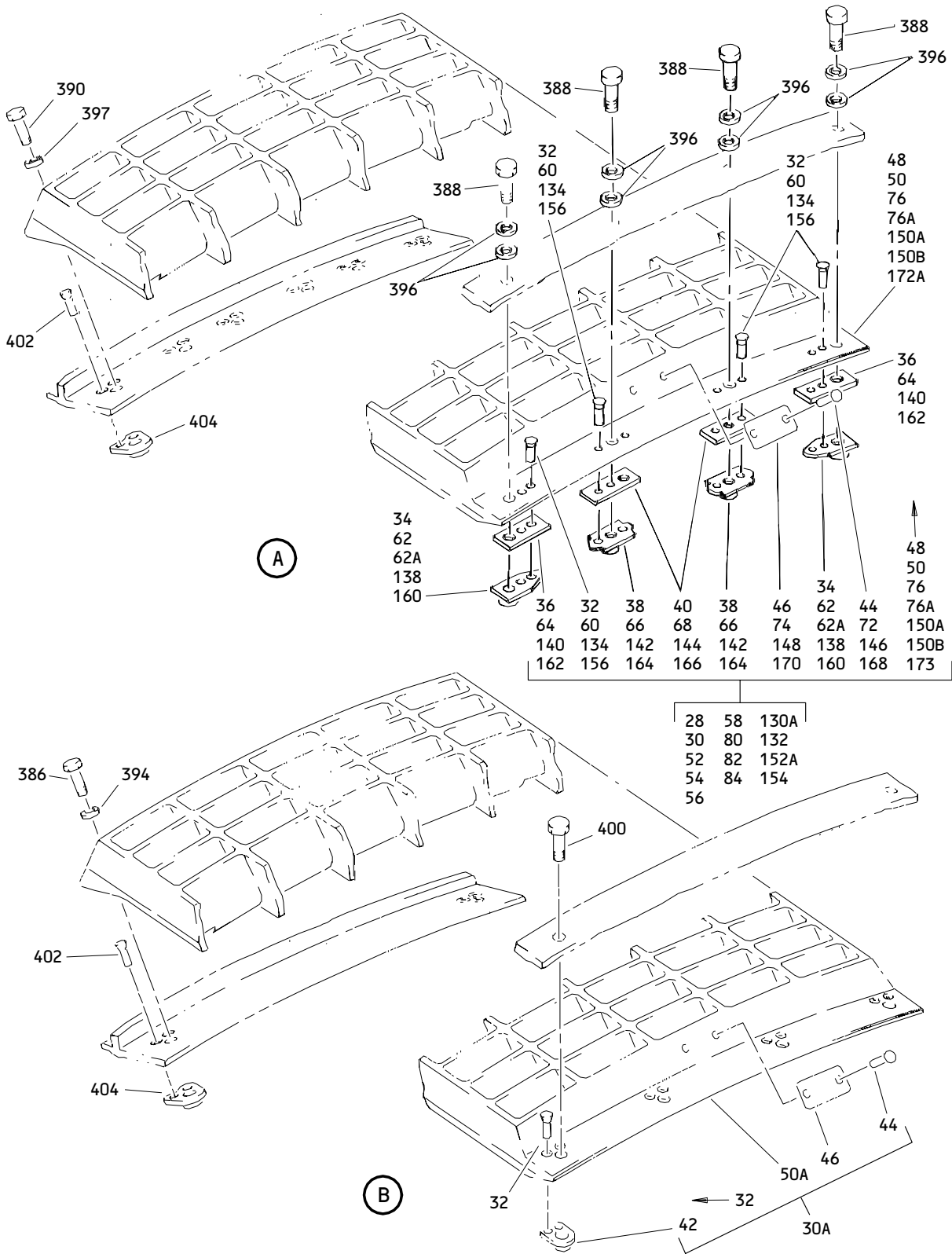
Jul 01/03



Engine Outboard and Inboard Side Fan Duct Cowling Assembly
Figure 10 (Sheet 1)

71-11-32

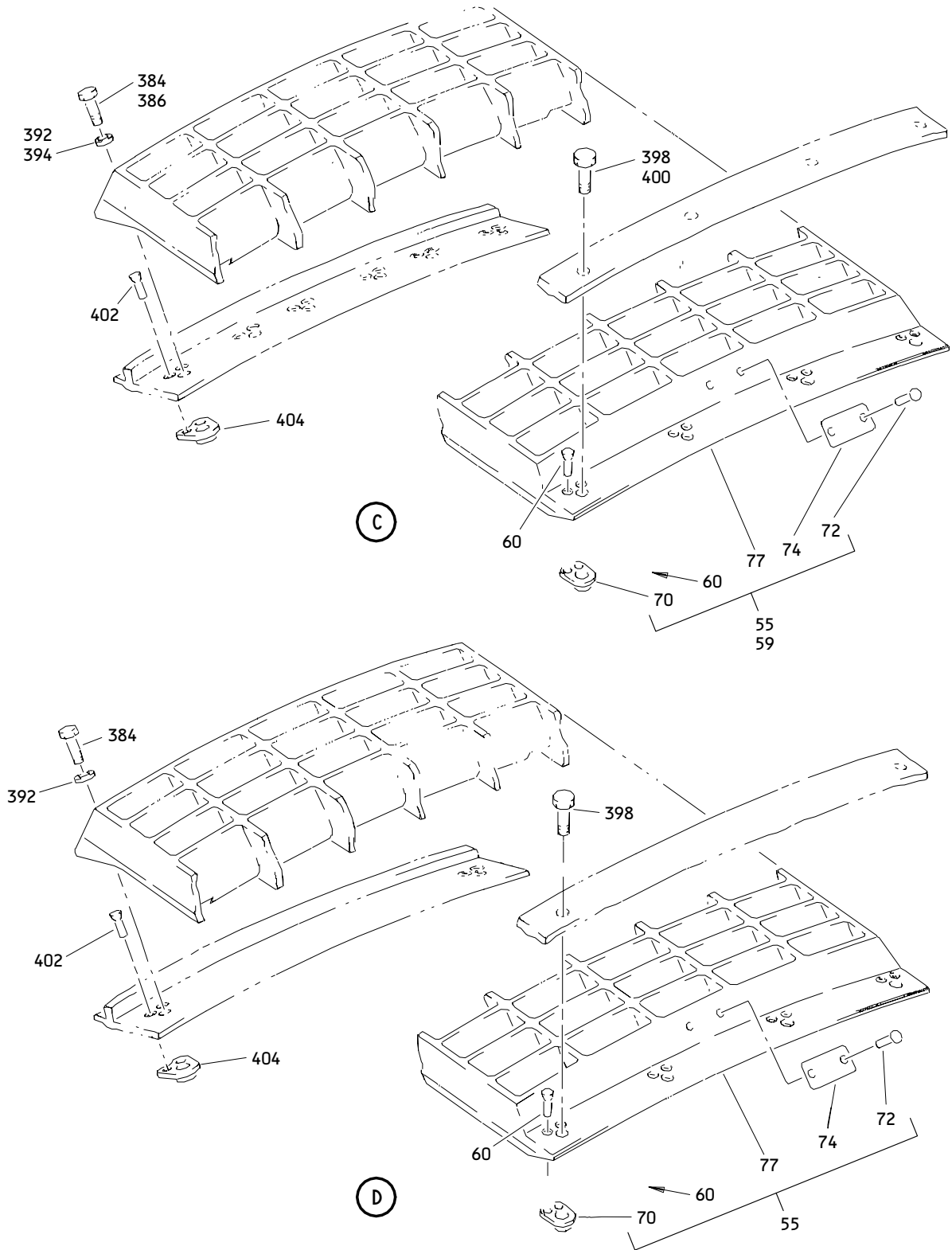
ILLUSTRATED PARTS LIST
01.1 Page 1086Y
Jul 01/03



Engine Outboard and Inboard Side Fan Duct Cowling Assembly
 Figure 10 (Sheet 2)

71-11-32

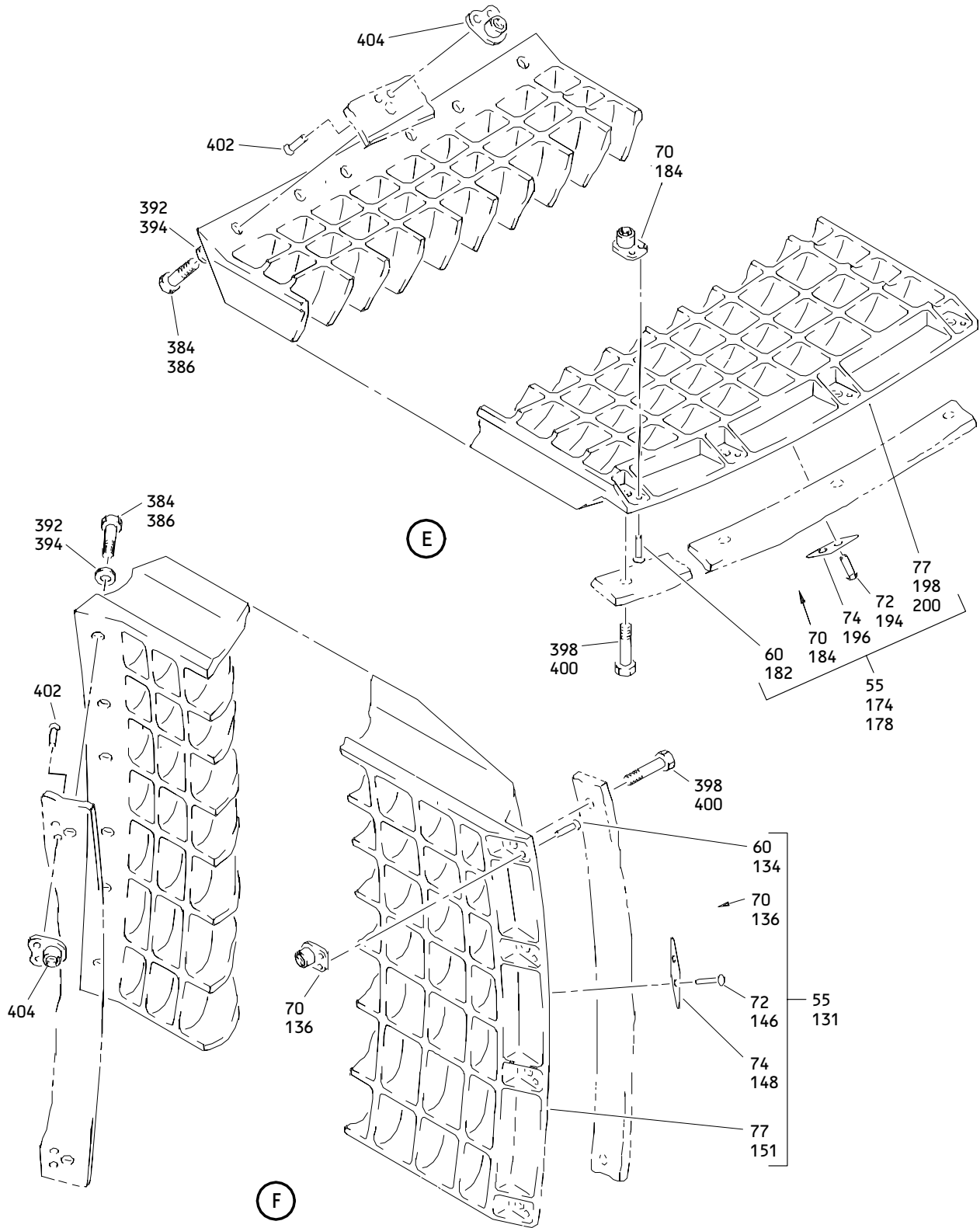
ILLUSTRATED PARTS LIST
 01.1 Page 1086Z
 Jul 01/03



Engine Outboard and Inboard Side Fan Duct Cowling Assembly
 Figure 10 (Sheet 3)

71-11-32

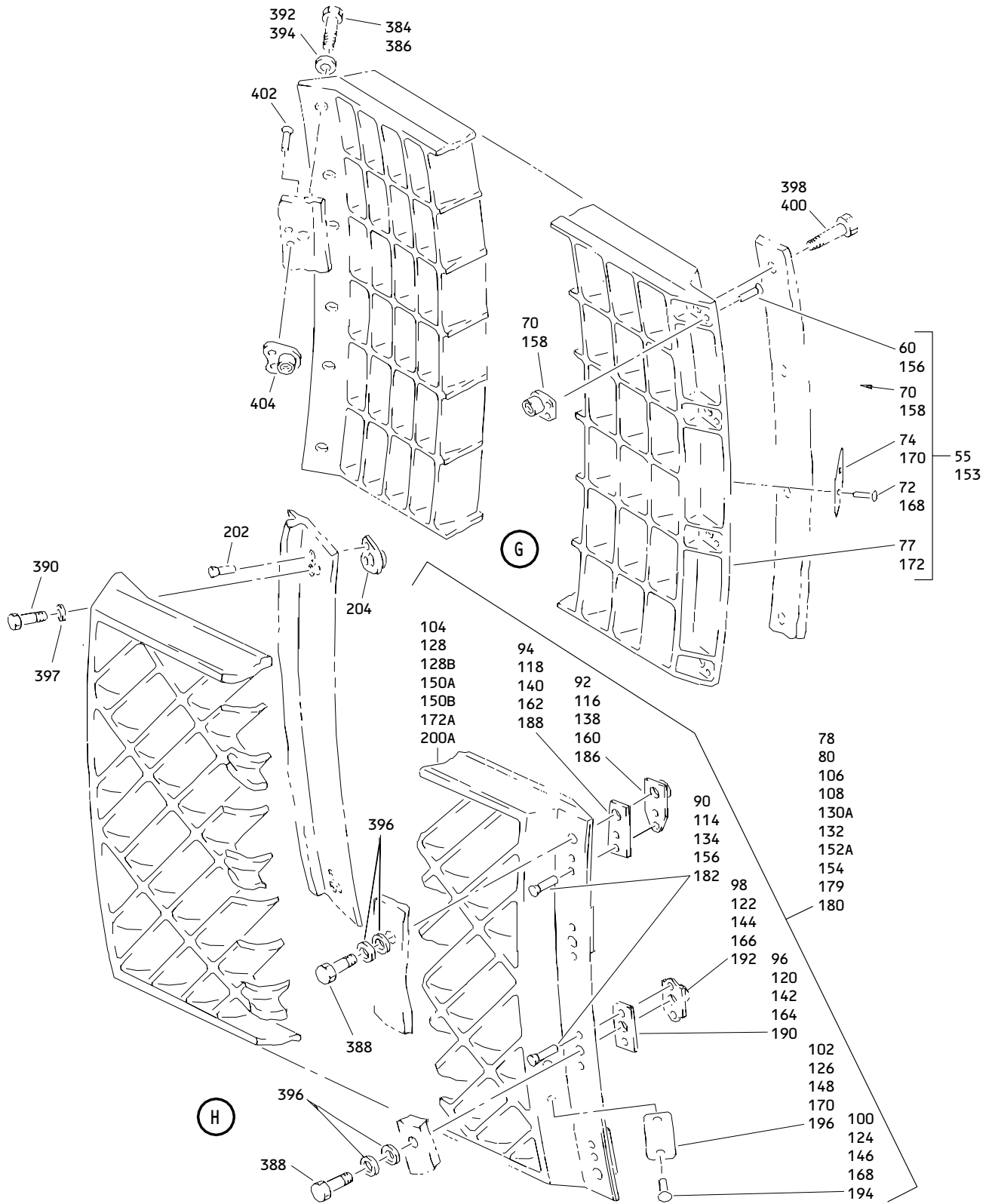
ILLUSTRATED PARTS LIST
 01.1 Page 1087
 Jul 01/03



Engine Outboard and Inboard Side Fan Duct Cowling Assembly
 Figure 10 (Sheet 4)

71-11-32

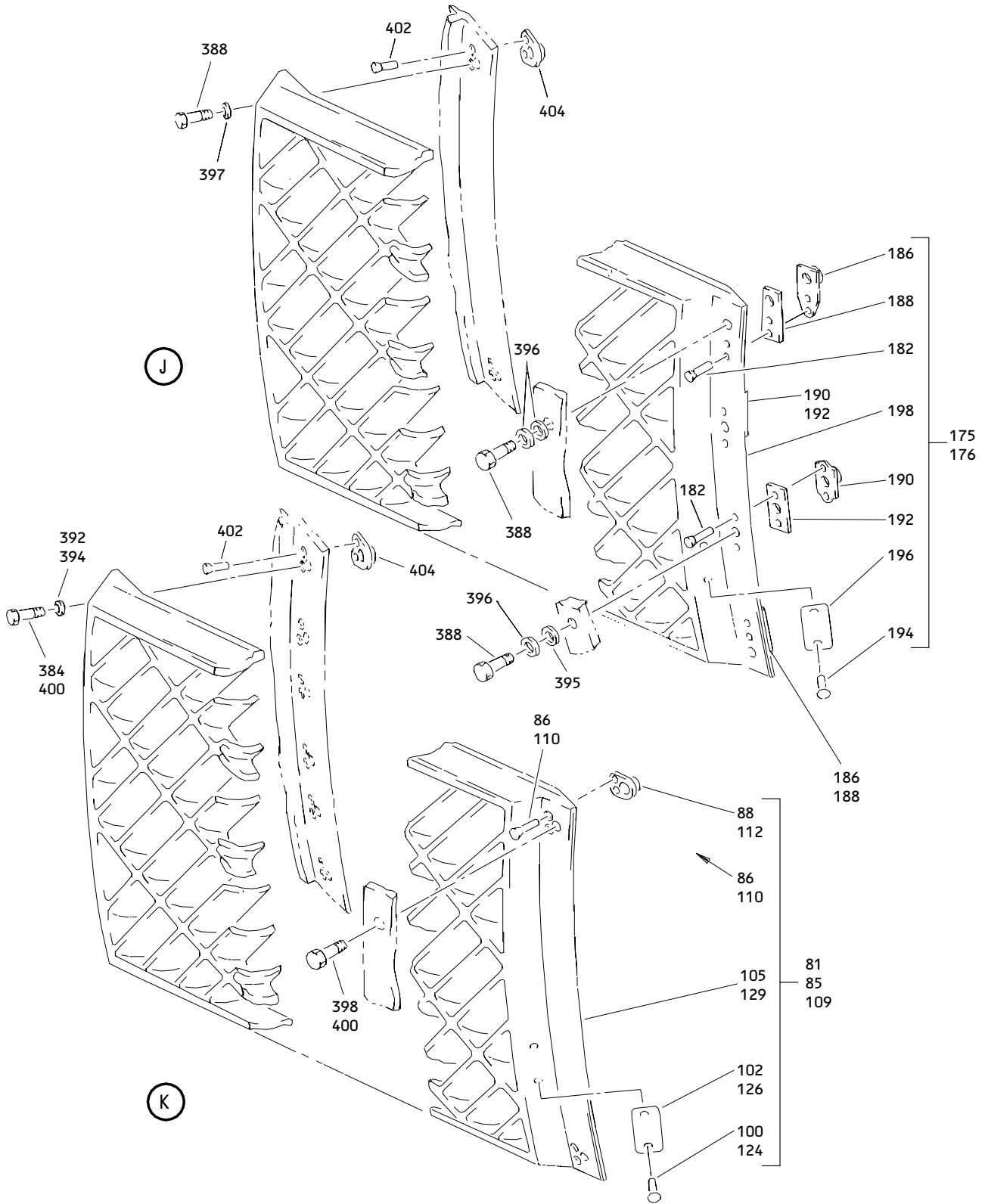
ILLUSTRATED PARTS LIST
 01.1 Page 1088
 Jul 01/03



Engine Outboard and Inboard Side Fan Duct Cowling Assembly
 Figure 10 (Sheet 5)

71-11-32

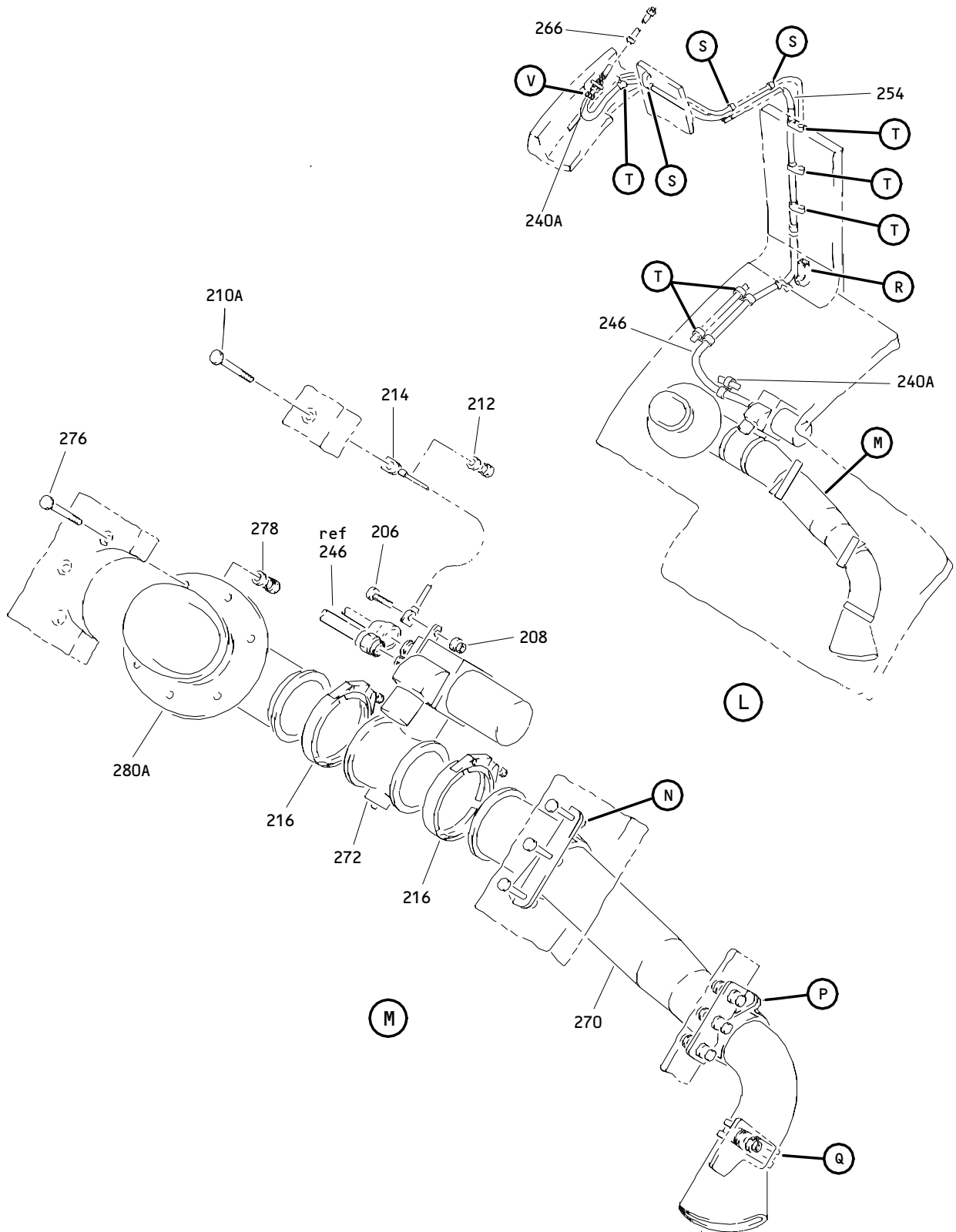
ILLUSTRATED PARTS LIST
 01.1 Page 1088A
 Jul 01/03



Engine Outboard and Inboard Side Fan Duct Cowling Assembly
 Figure 10 (Sheet 6)

71-11-32

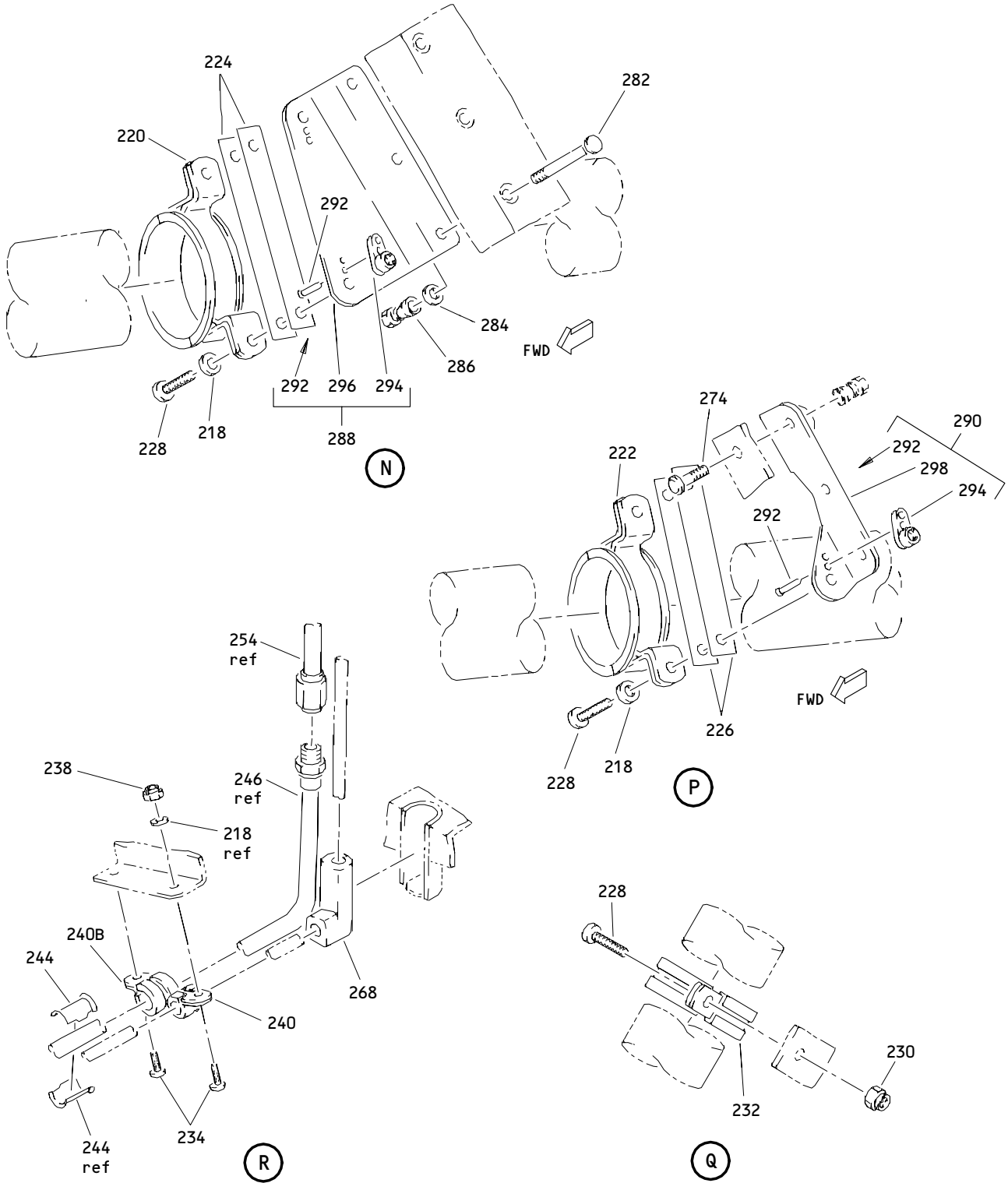
ILLUSTRATED PARTS LIST
 01.1 Page 1088B
 Jul 01/03



Engine Outboard and Inboard Side Fan Duct Cowling Assembly
 Figure 10 (Sheet 7)

71-11-32

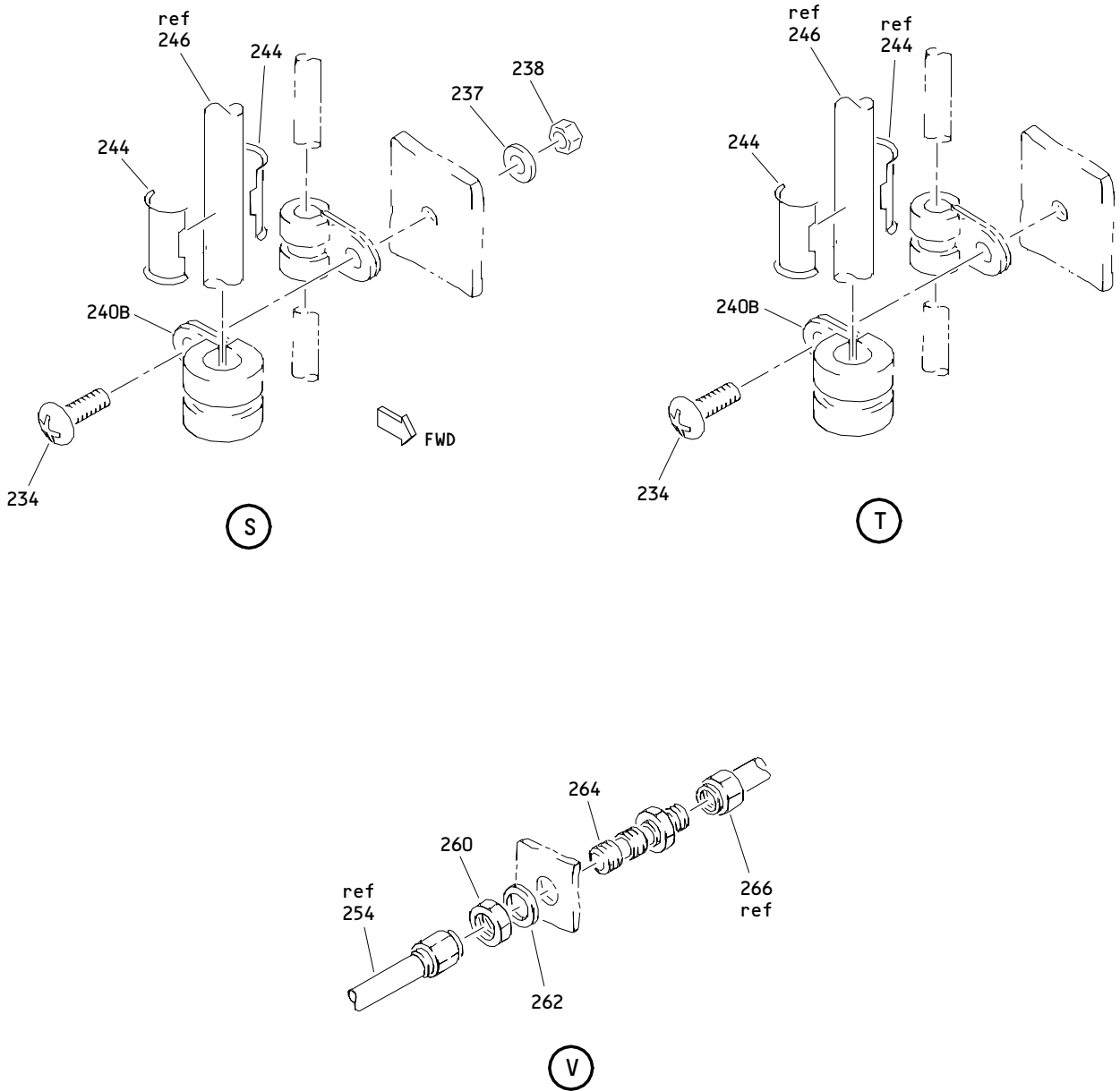
ILLUSTRATED PARTS LIST
 01.1 Page 1088C
 Jul 01/03



Engine Outboard and Inboard Side Fan Duct Cowling Assembly
 Figure 10 (Sheet 8)

71-11-32

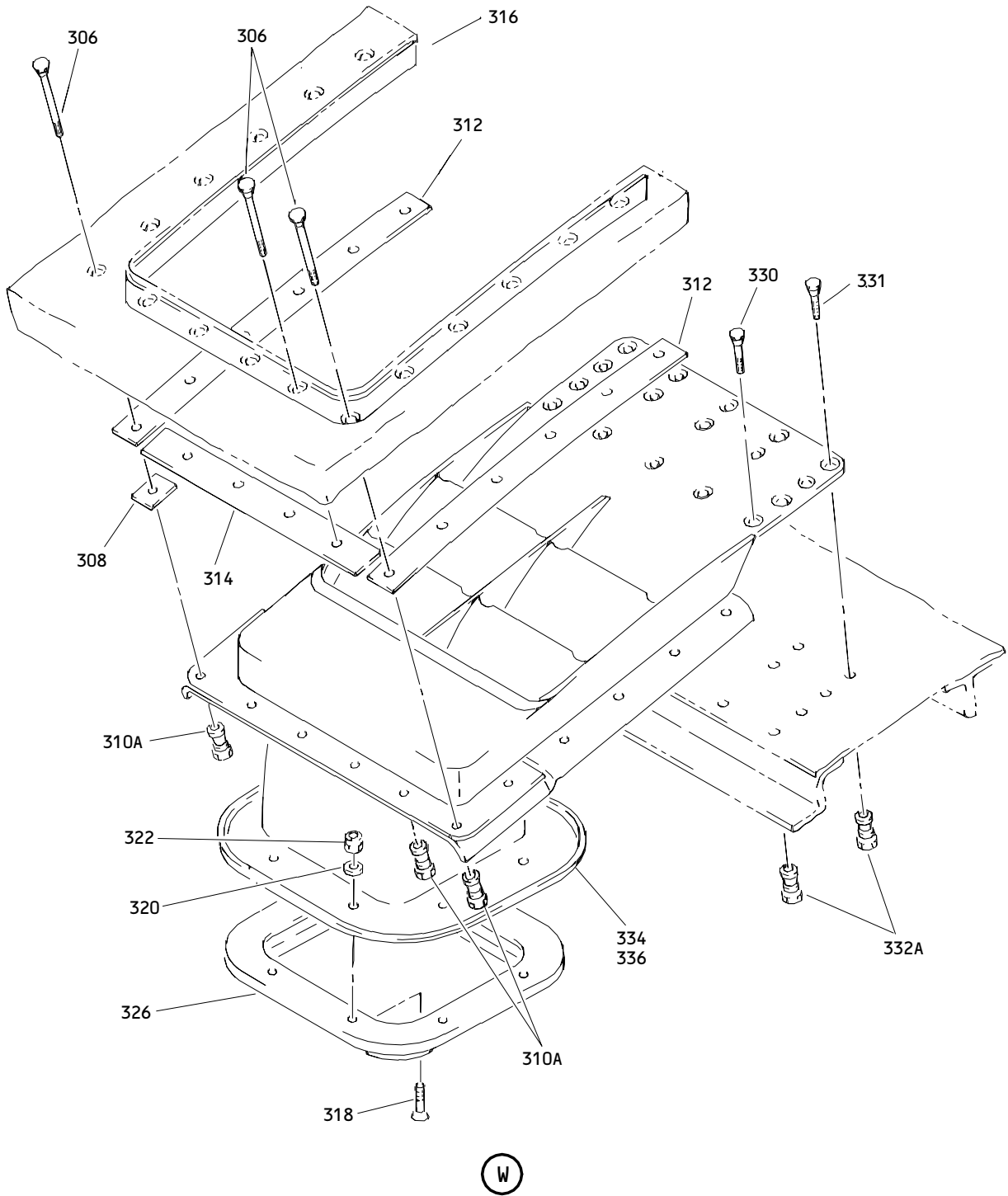
ILLUSTRATED PARTS LIST
 01.1 Page 1088D
 Jul 01/03



Engine Outboard and Inboard Side Fan Duct Cowling Assembly
Figure 10 (Sheet 9)

71-11-32

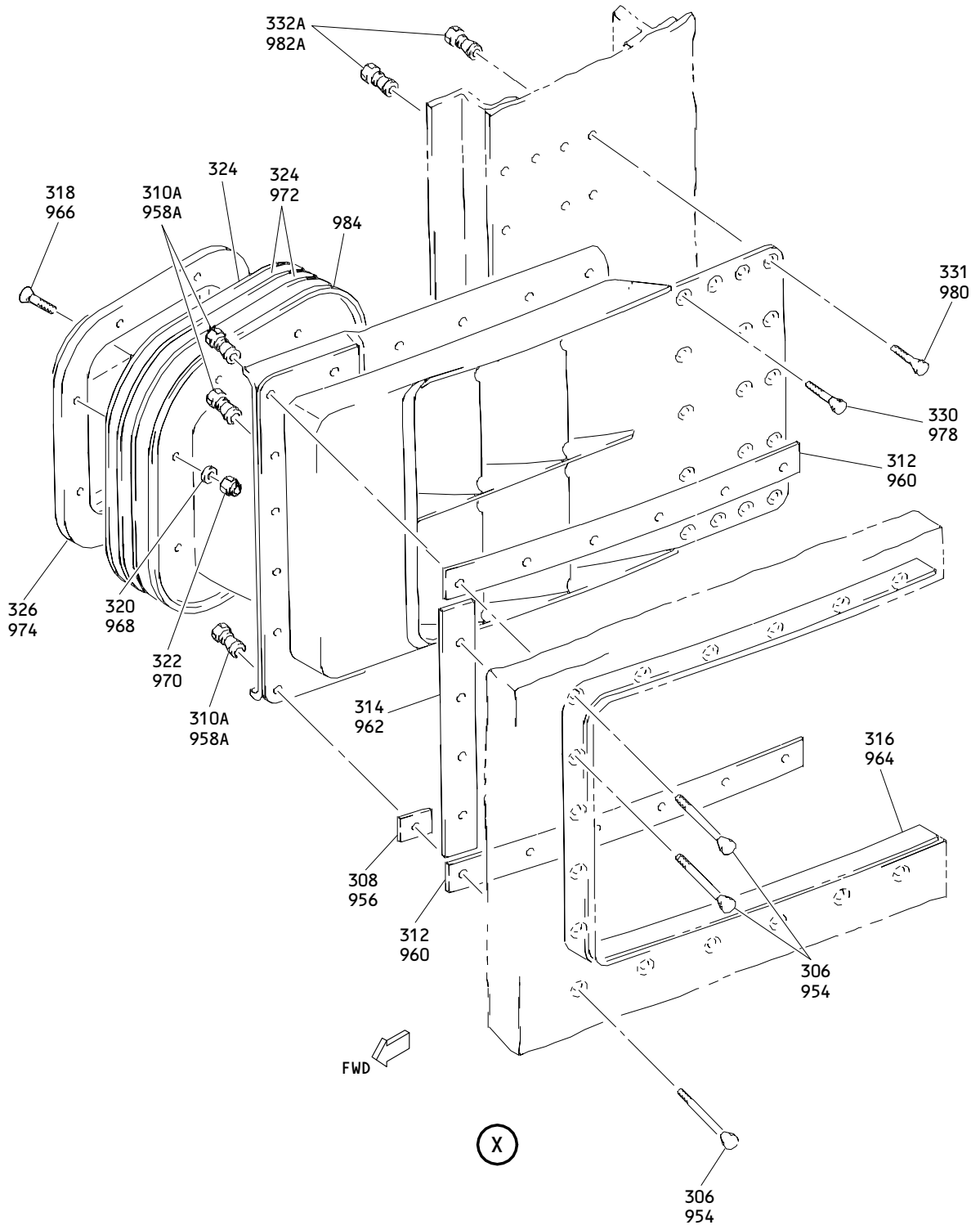
ILLUSTRATED PARTS LIST
01.1 Page 1088E
Jul 01/03



Engine Outboard and Inboard Side Fan Duct Cowling Assembly
 Figure 10 (Sheet 10)

71-11-32

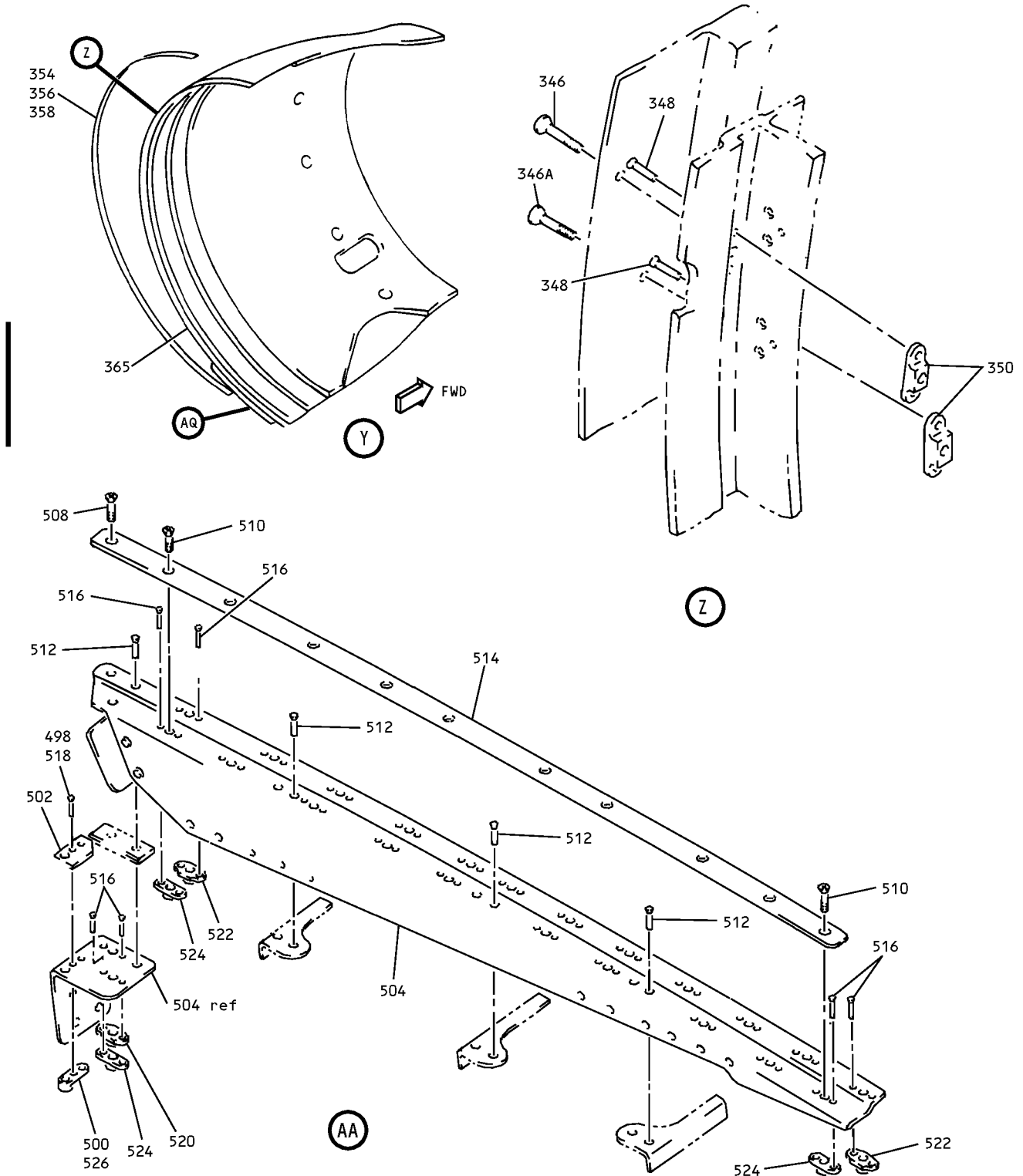
ILLUSTRATED PARTS LIST
 01.1 Page 1088F
 Jul 01/03



Engine Outboard and Inboard Side Fan Duct Cowling Assembly
 Figure 10 (Sheet 11)

71-11-32

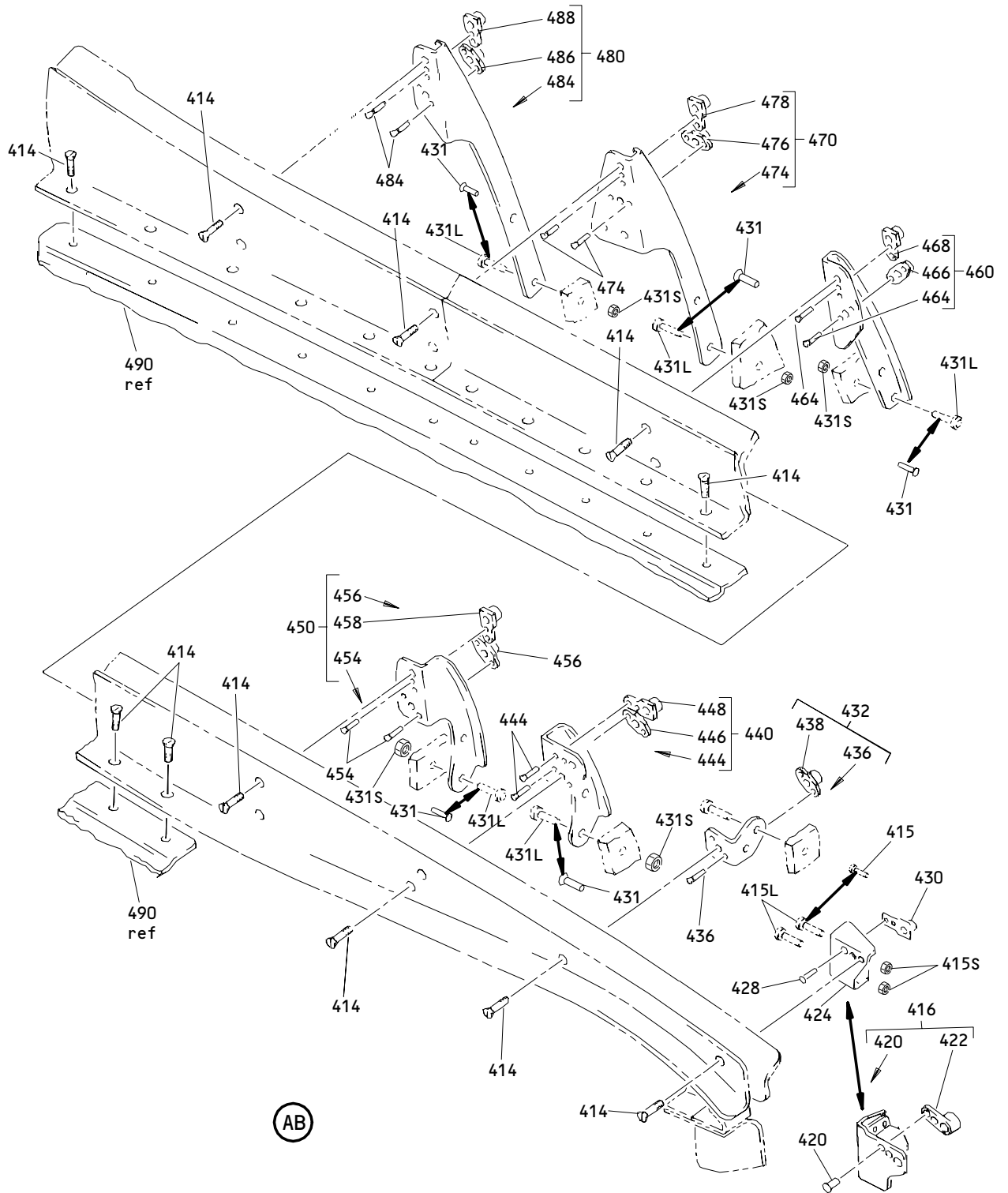
ILLUSTRATED PARTS LIST
 01.1 Page 1088G
 Jul 01/03



Engine Outboard and Inboard Side Fan Duct Cowling Assembly
 Figure 10 (Sheet 12)

71-11-32

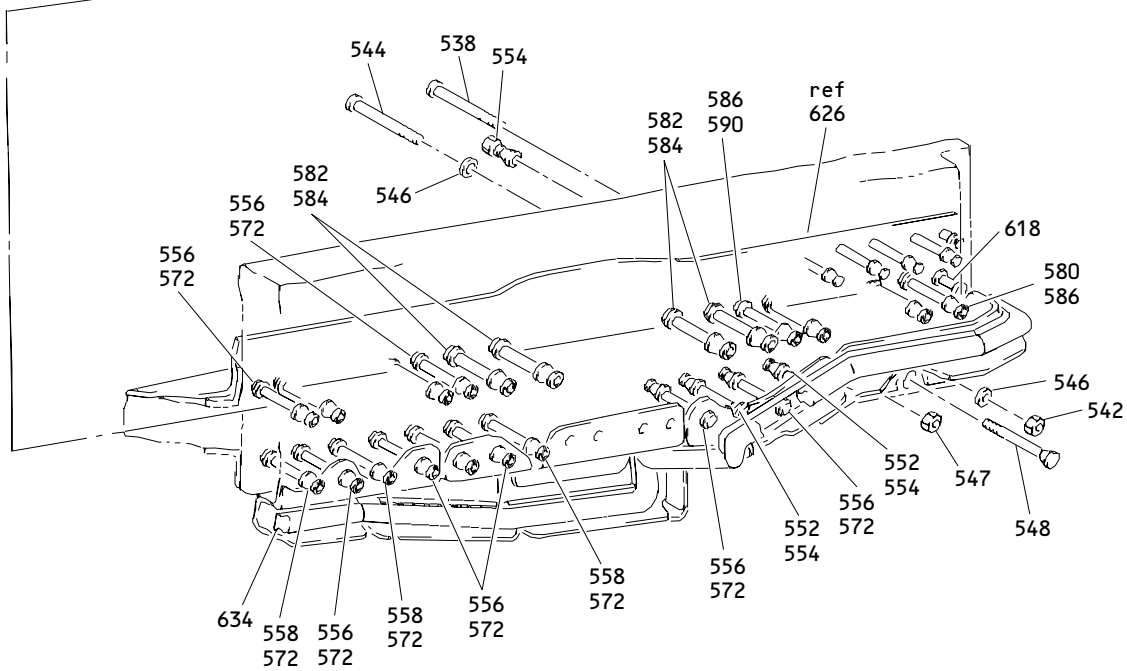
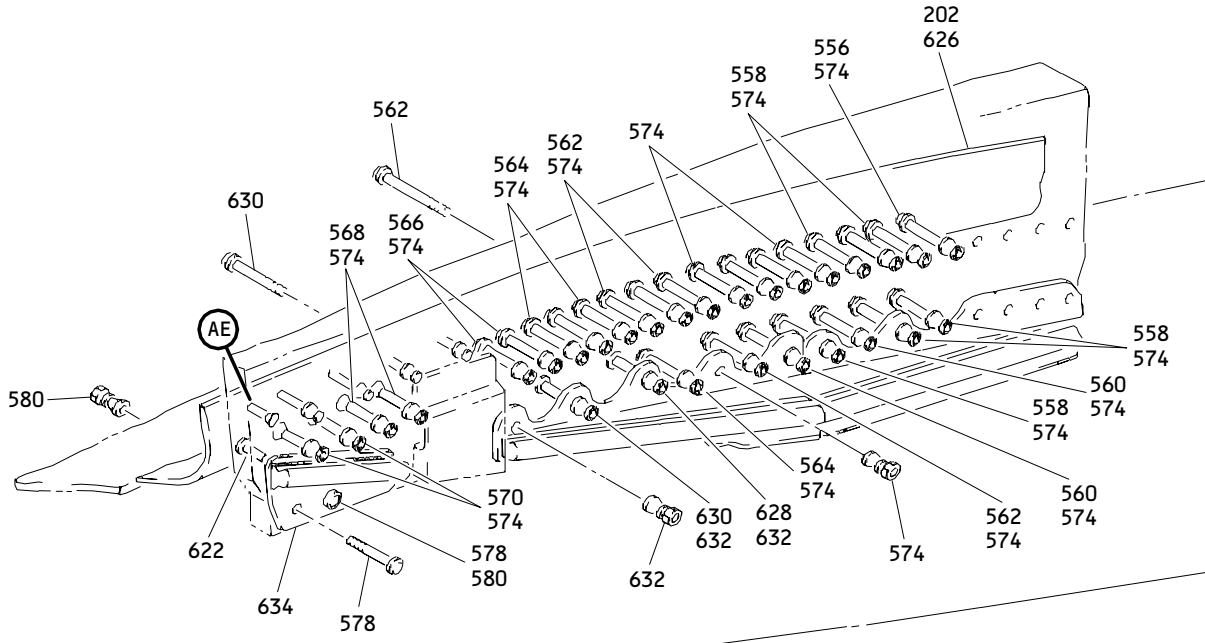
ILLUSTRATED PARTS LIST
 01.1 Page 1088H
 Jul 01/03



Engine Outboard and Inboard Side Fan Duct Cowling Assembly
Figure 10 (Sheet 13)

71-11-32

ILLUSTRATED PARTS LIST
01.1 Page 1088I
Jul 01/03



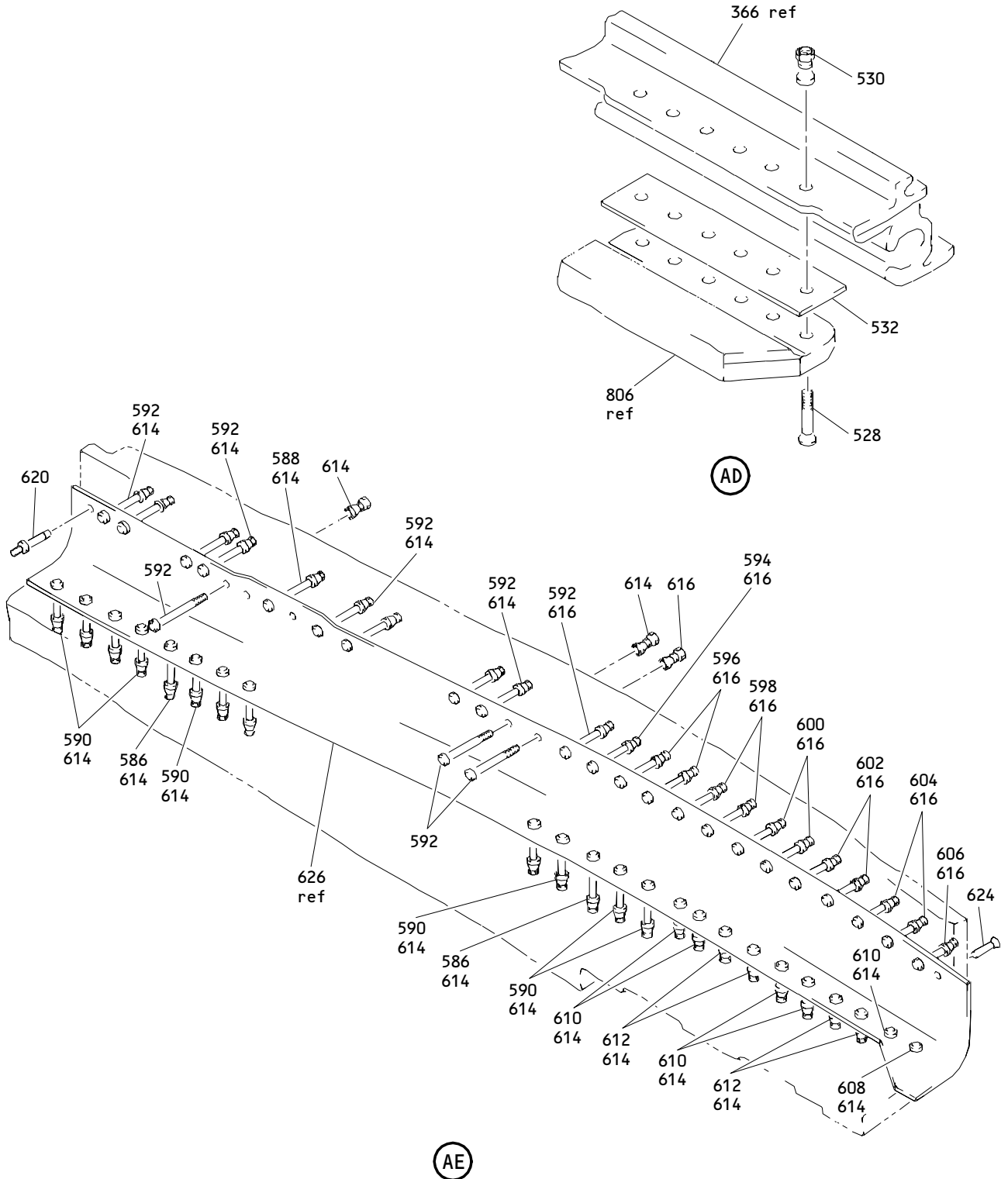
FWD

(AC)

Engine Outboard and Inboard Side Fan Duct Cowling Assembly
 Figure 10 (Sheet 14)

71-11-32

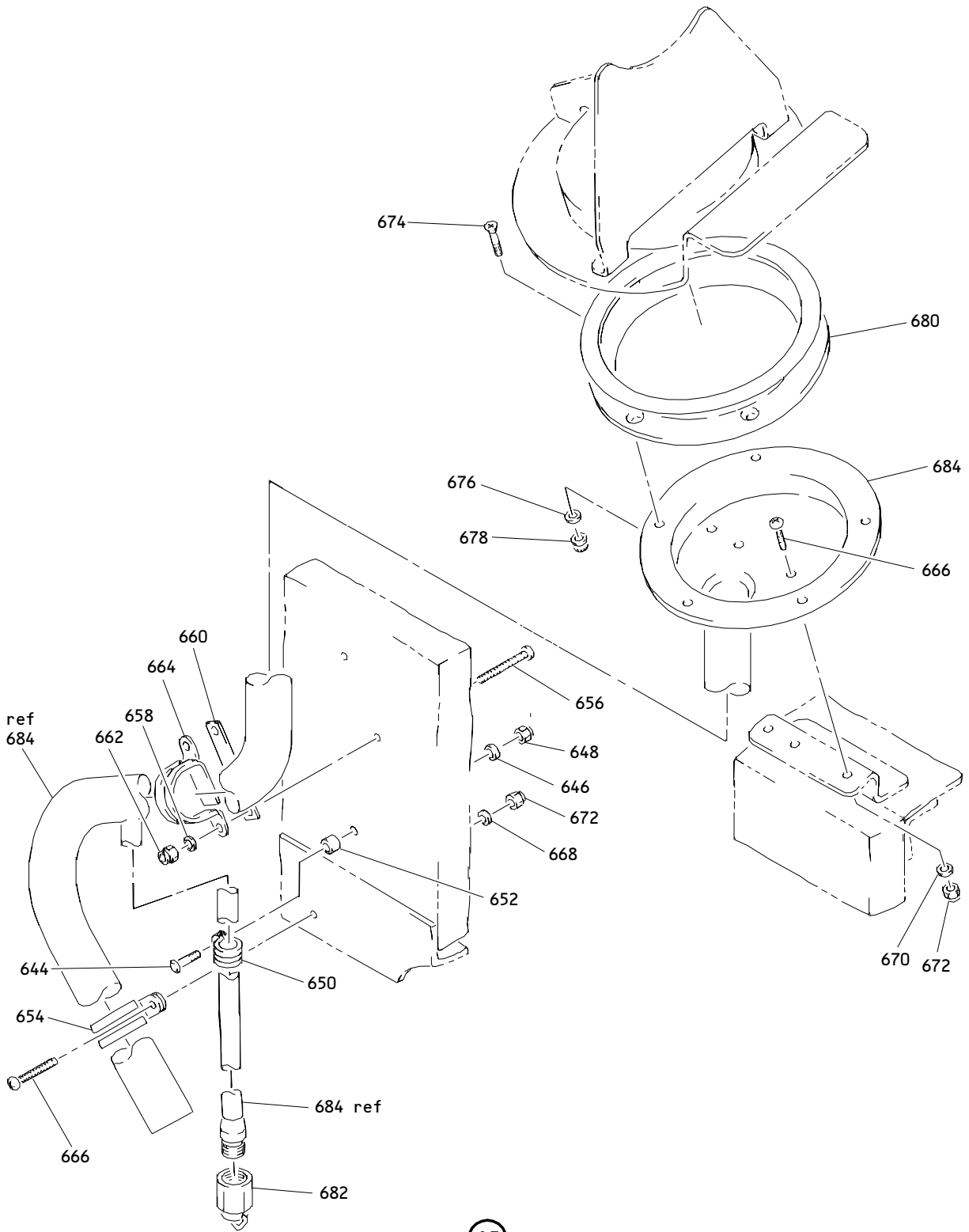
ILLUSTRATED PARTS LIST
 01.1 Page 1088J
 Jul 01/03



Engine Outboard and Inboard Side Fan Duct Cowling Assembly
 Figure 10 (Sheet 15)

71-11-32

ILLUSTRATED PARTS LIST
 01.1 Page 1088K
 Jul 01/03



AF

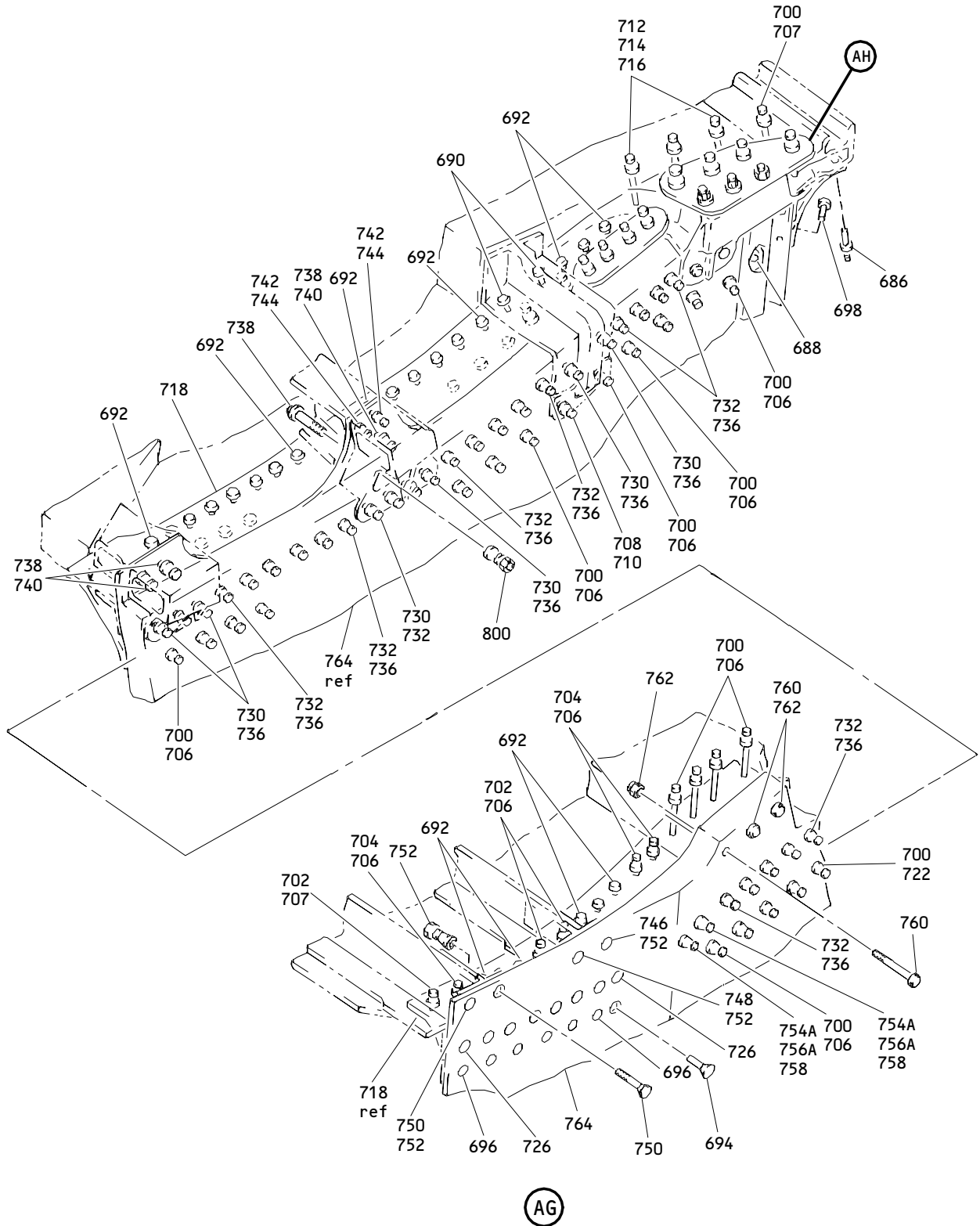
Engine Outboard and Inboard Side Fan Duct Cowling Assembly
 Figure 10 (Sheet 16)

71-11-32

ILLUSTRATED PARTS LIST
 01.1 Page 1088L
 Jul 01/03

U8413

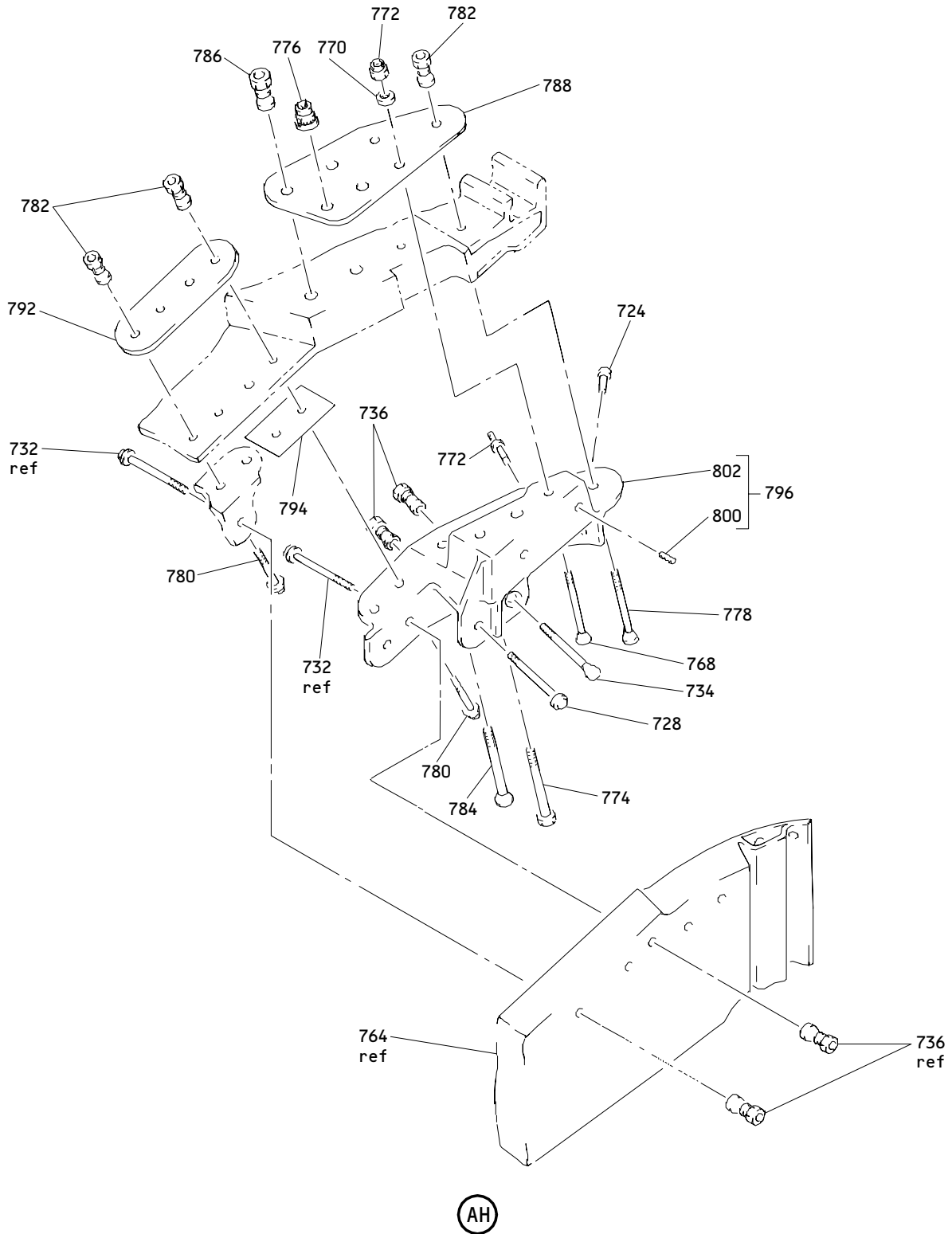
BOEING
COMPONENT
MAINTENANCE MANUAL



Engine Outboard and Inboard Side Fan Duct Cowling Assembly
Figure 10 (Sheet 17)

71-11-32

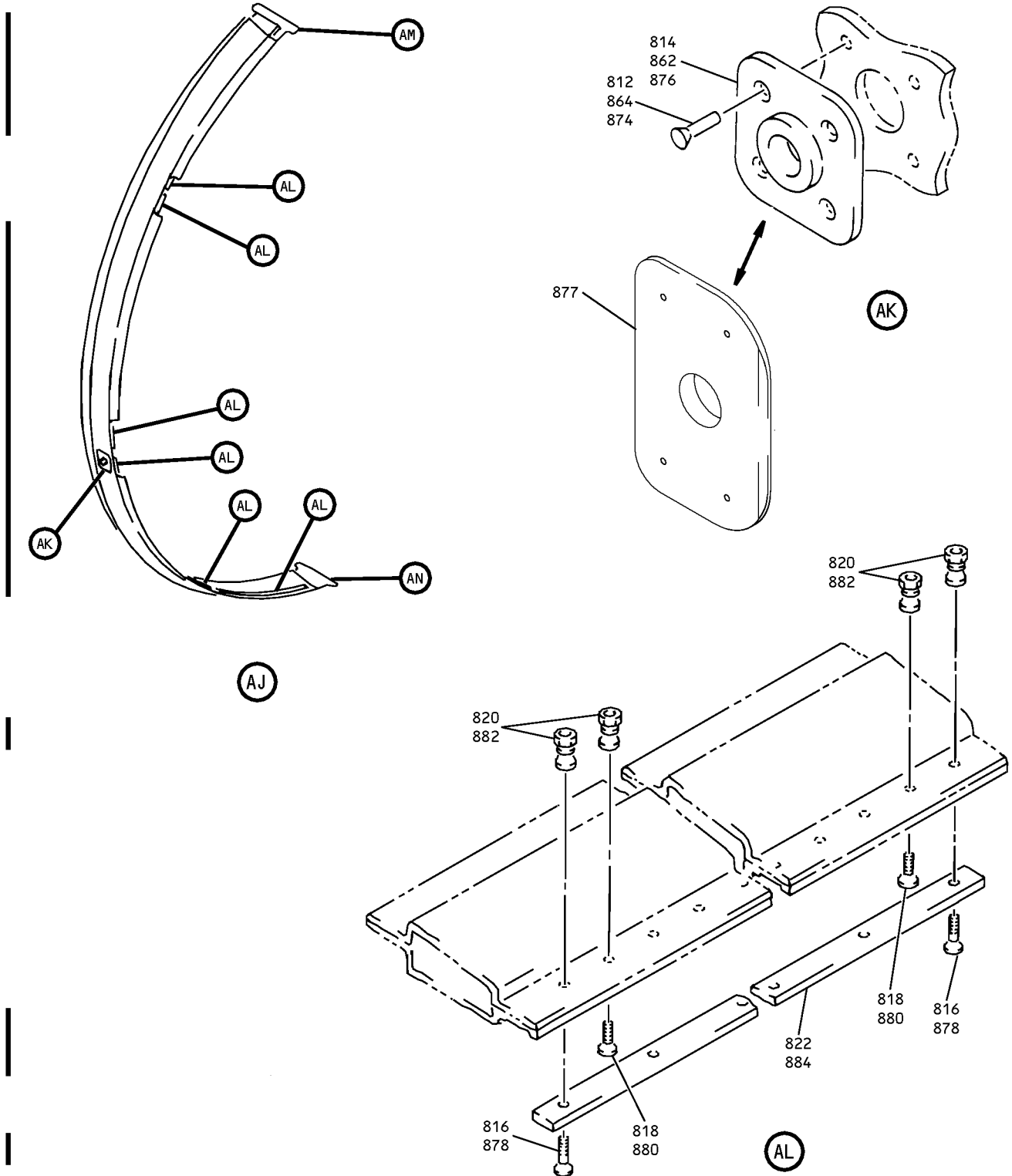
ILLUSTRATED PARTS LIST
01.1 Page 1088M
Jul 01/03



Engine Outboard and Inboard Side Fan Duct Cowling Assembly
 Figure 10 (Sheet 18)

71-11-32

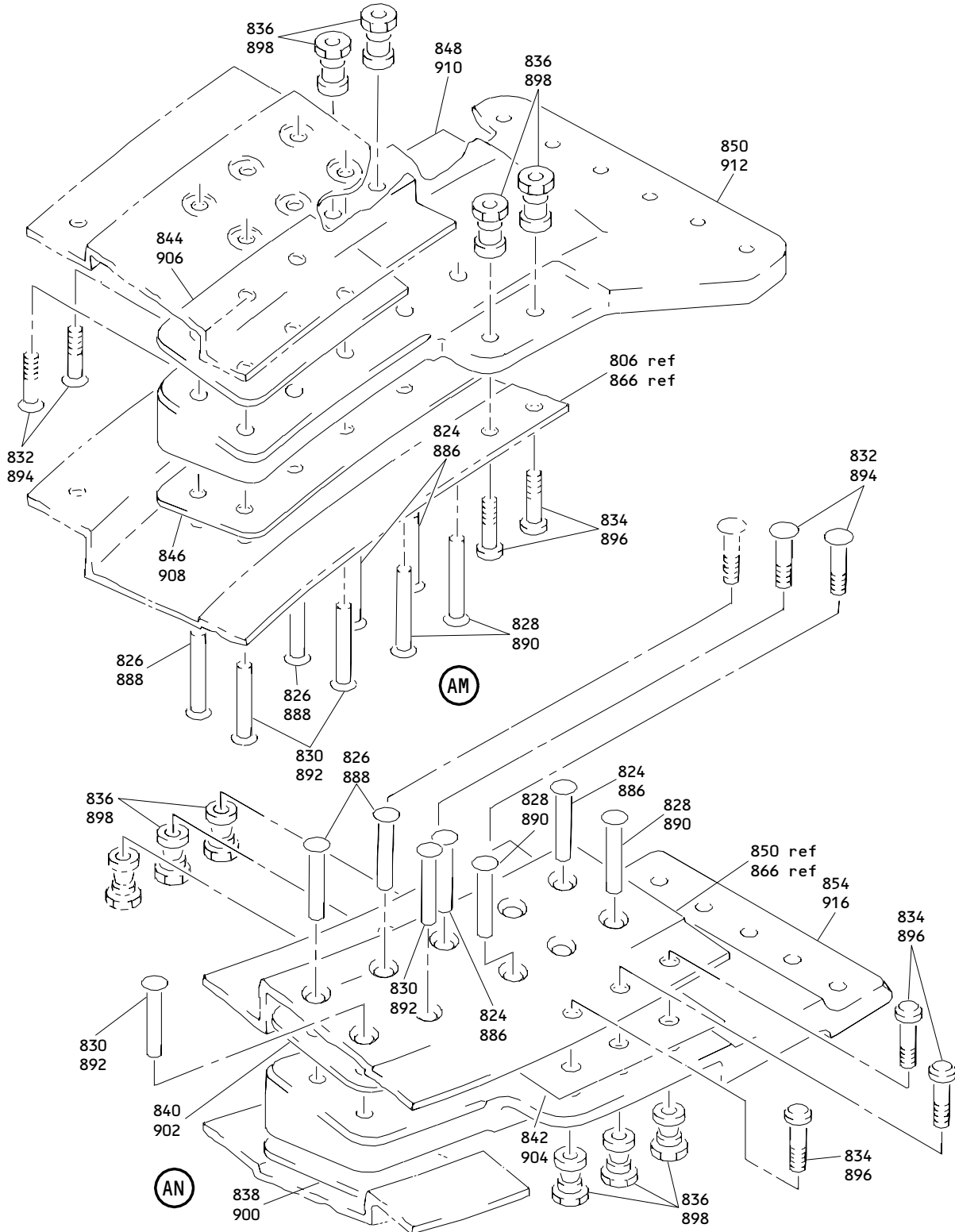
ILLUSTRATED PARTS LIST
 01.1 Page 1088N
 Jul 01/03



Engine Outboard and Inboard Side Fan Duct Cowling Assembly
 Figure 10 (Sheet 19)

71-11-32

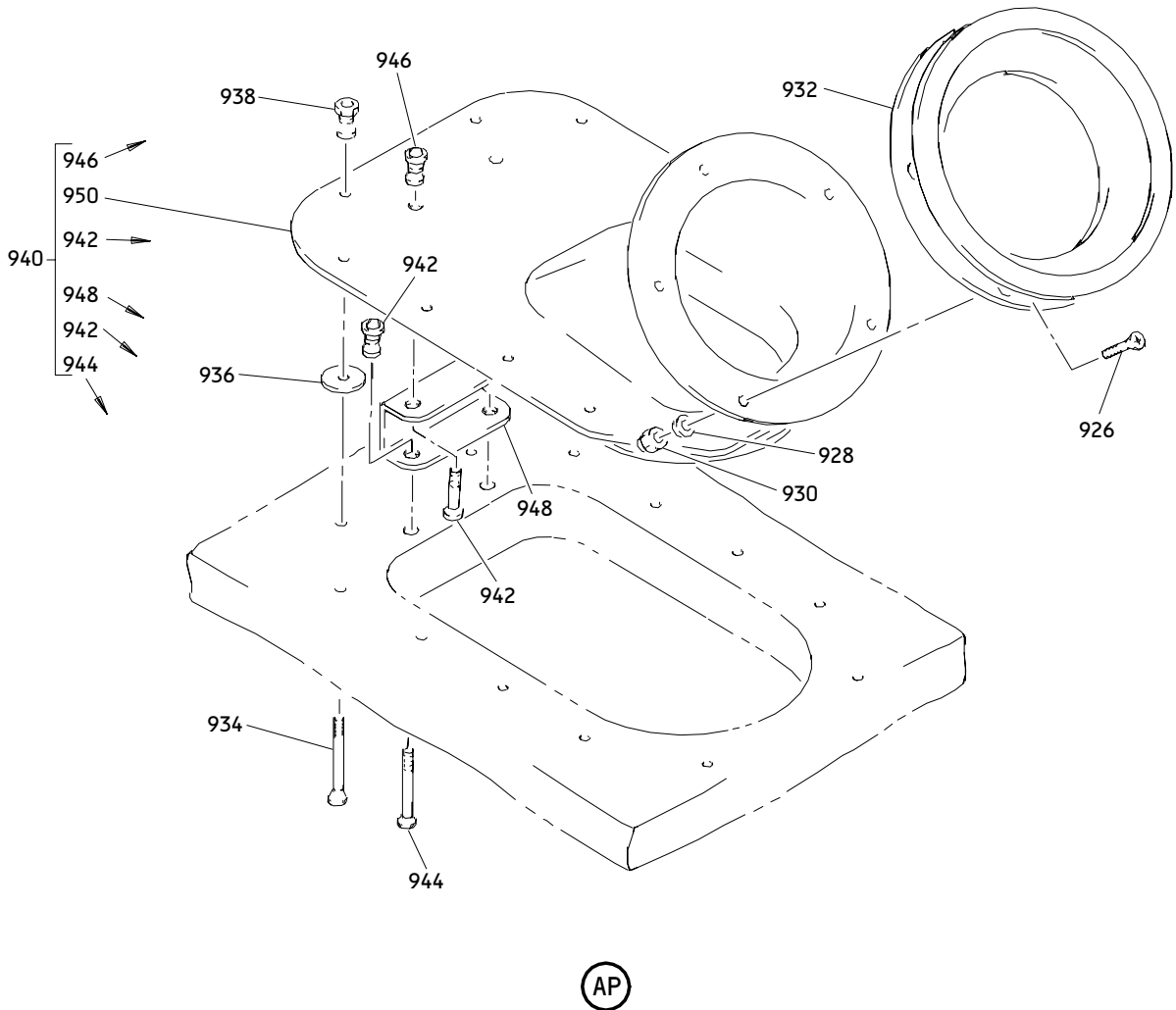
ILLUSTRATED PARTS LIST
 01.1 Page 10880
 Jul 01/03



Engine Outboard and Inboard Side Fan Duct Cowling Assembly
Figure 10 (Sheet 20)

71-11-32

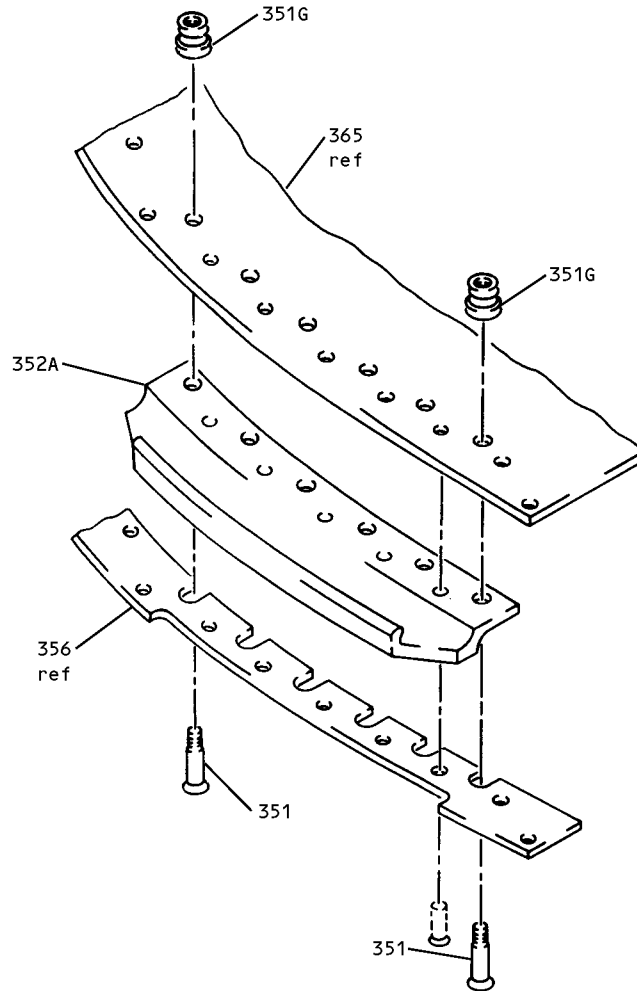
ILLUSTRATED PARTS LIST
01.1 Page 1088P
Jul 01/03



Engine Outboard and Inboard Side Fan Duct Cowling Assembly
Figure 10 (Sheet 21)

71-11-32

ILLUSTRATED PARTS LIST
01.1 Page 1088Q
Jul 01/03



AQ

Engine Outboard and Inboard Side Fan Duct Cowling Assembly
Figure 10 (Sheet 22)

71-11-32

ILLUSTRATED PARTS LIST
01.1 Page 1088R
Jul 01/03


BOEING
 COMPONENT
 MAINTENANCE MANUAL

FIG. & ITEM	PART NO.	AIRLINE PART NUMBER	NOMENCLATURE 1234567	EFF CODE	QTY PER ASSY
10- -1	315T3002-67		COWL ASSY-ENG OUTBD SIDE FAN DUCT (LH)	E	RF
-5	315T3002-68		COWL ASSY-ENG INBD SIDE FAN DUCT (LH)	F	RF
-5A	315T3002-98		COWL ASSY-ENG INBD SIDE FAN DUCT (LH)	AC	RF
-10	315T3002-69		COWL ASSY-ENG INBD SIDE FAN DUCT (RH)	G	RF
-15	315T3002-70		COWL ASSY-ENG OUTBD SIDE FAN DUCT (RH)	H	RF
-15A	315T3002-100		COWL ASSY-ENG OUTBD SIDE FAN DUCT (RH)	AD	RF
-20	315T3002-5097		.COLLECTOR-LIMITED POINT	E	1
-22	315T3002-5094		.COLLECTOR-LIMITED POINT	F	1
-22A	315T3002-5098		.COLLECTOR-LIMITED POINT	AC	1
-24	315T3002-5099		.COLLECTOR-LIMITED POINT	G	1
-26	315T3002-5096		.COLLECTOR-LIMITED POINT	H	1
-26A	315T3002-5100		.COLLECTOR-LIMITED POINT	AD	1
28	315T4210-1		..CASCADE ASSY-RADIAL FLOW (315T4210-1 WITH ITS ATTACHING PARTS I/W 315T3210-3 OR -9 T/W ITS ATTACHING PARTS)	E,G	1
30	315T4210-2		..CASCADE ASSY-RADIAL FLOW (315T4210-2 WITH ITS ATTACHING PARTS I/W 315T3210-4 OR -10 T/W ITS ATTACHING PARTS)	AC,AD	1
30A	315T3210-10		DELETED		
-30B	315T4210-2		..CASCADE ASSY-RADIAL FLOW (315T4210-2 WITH ITS ATTACHING PARTS I/W 315T3210-4 OR -10 T/W ITS ATTACHING PARTS) (POST SB 767-78-0020)	F,H	1

71-11-32

 ILLUSTRATED PARTS LIST
 01.1 Page 1088S
 Jul 01/03

FIG. & ITEM	PART NO.	AIRLINE PART NUMBER	NOMENCLATURE 1234567	EFF CODE	QTY PER ASSY
10-31	315T3210-10		..CASCADE ASSY-RADIAL FLOW (315T4210-2 WITH ITS ATTACHING PARTS I/W 315T3210-10 TOGETHER WITH ITS ATTACHING PARTS) (PRE SB 767-78-0020)	F,H	1
32	BACR15CE3B		...RIVET- (SIZE DETERMINE ON INST)	E-H,A C,AD	8
34	BRF100C4D		...NUTPLATE- (V52828) (SPEC BACN10KB4CFD) (OPT F51604-4 (V15653)) (OPT 102F9207P4 (V72962)) (OPT F51604-4 (V15653)) (USED ON ITEMS 28, 30, 30B)	E-H,A C,AD	2
36	315T4210-10		...SPACER-RADIUS FILLER (USED ON ITEMS 28, 30, 30B)	E-H,A C,AD	2
38	BRF200C4D		...NUTPLATE- (V52828) (SPEC BACN10JR4CFD) (OPT K51602-4BAC (V15653)) (OPT NS202476-048 (V80539)) (OPT 102F9201-4 (V72962)) (OPT T8092C428CD (V11815)) (USED ON ITEMS 28, 30, 30B)	E-H,A C,AD	2

71-11-32

ILLUSTRATED PARTS LIST

01.1 Page 1088T

Jul 01/03


BOEING
 COMPONENT
 MAINTENANCE MANUAL

FIG. & ITEM	PART NO.	AIRLINE PART NUMBER	NOMENCLATURE 1234567	EFF CODE	QTY PER ASSY
10-40	315T4210-9		...SPACER-RADIUS FILLER (USED ON ITEMS 28, 30, 30B)	E-H,A C,AD	2
42	M13640-048		...NUTPLATE- (V80539) (USED ON ITEM 31)	F,H	4
44	BACR15BB3B		...RIVET- (SIZE DETERMINE ON INST)	E-H,A C,AD	2
46	69B97503-1		...TAG-IDENT (USED ON ITEM 31)	F,H	1
-46A	315T4210-11		...TAG-IDENT (OPT ITEM 46B) (USED ON ITEMS 28, 30, 30B)	E-H,A C,AD	1
-46B	69B97503-1		...TAG-IDENT (OPT ITEM 46A) (USED ON ITEMS 28, 30, 30B)	E-H,A C,AD	1
48	315T4210-5		...CASCADE	E,G	1
-48A	315T4210-6		...CASCADE- (USED ON ITEMS 30, 30B)	F,H,A C,AD	1
50	315T4210-6		DELETED		
50A	315T3210-13		...CASCADE- (USED ON ITEM 31)	F,H	1
52	315T4210-3		..CASCADE ASSY-RADIAL FLOW (315T4210-3 WITH ITS ATTACHING PARTS I/W 315T3210-1 OR -8 T/W ITS ATTACHING PARTS)	E	5

71-11-32

ILLUSTRATED PARTS LIST

01.1 Page 1088U

Jul 01/03

FIG. & ITEM	PART NO.	AIRLINE PART NUMBER	NOMENCLATURE 1234567	EFF CODE	QTY PER ASSY
10-54	315T4210-3		..CASCADE ASSY-RADIAL FLOW (315T4210-3 WITH ITS ATTACHING PARTS I/W 315T3210-1 OR -8 T/W ITS ATTACHING PARTS)	AD	5
54A-54B	315T3210-8 315T4210-3		DELETED ..CASCADE ASSY-RADIAL FLOW (315T4210-3 WITH ITS ATTACHING PARTS I/W 315T3210-1 OR -8 T/W ITS ATTACHING PARTS) (OPT ITEMS 54C, 54D) (POST SB 767-78-0020)	H	5
-54C	315T4212-3		..CASCADE ASSY-39.2 DEG SKEWED (OPT ITEM 54B, 54D) (POST SB 767-78-0020)	H	5
-54D	315T4212-4		..CASCADE ASSY-39.2 DEG SKEWED (315T4212-4 WITH ITS ATTACHING PARTS I/W 315T3212-4 OR -14 T/W ITS ATTACHING PARTS) (OPT ITEM 54B, 54C) (POST SB 767-78-0020)	H	5
55	315T3210-8		..CASCADE ASSY-RADIAL FLOW (315T4210-3 WITH ITS ATTACHING PARTS I/W 315T3210-8 T/W ITS ATTACHING PARTS) (PRE SB 767-78-0020)	H	5
56	315T4210-3		..CASCADE ASSY-RADIAL FLOW (315T4210-3 WITH ITS ATTACHING PARTS I/W 315T3210-1 OR -8 T/W ITS ATTACHING PARTS)	G	1

71-11-32

 ILLUSTRATED PARTS LIST
 01.1 Page 1088V
 Jul 01/03


BOEING
 COMPONENT
 MAINTENANCE MANUAL

FIG. & ITEM	PART NO.	AIRLINE PART NUMBER	NOMENCLATURE 1234567	EFF CODE	QTY PER ASSY
10-58	315T4210-3		..CASCADE ASSY-RADIAL FLOW (315T4210-3 WITH ITS ATTACHING PARTS I/W 315T3210-1 OR -8 T/W ITS ATTACHING PARTS)	AC	1
58A -58B	315T3210-8 315T4210-3		DELETED ..CASCADE ASSY-RADIAL FLOW (315T4210-3 WITH ITS ATTACHING PARTS I/W 315T3210-1 OR -8 T/W ITS ATTACHING PARTS) (OPT ITEMS 58C, 58D) (POST SB 767-78-0020)	F	1
-58C	315T4212-3		..CASCADE ASSY-39.2 DEG SKEWED (OPT ITEM 58B, 58D) (POST SB 767-78-0020)	F	1
-58D	315T4212-4		..CASCADE ASSY-39.2 DEG SKEWED (315T4212-4 WITH ITS ATTACHING PARTS I/W 315T3212-4 OR -14 T/W ITS ATTACHING PARTS) (OPT ITEM 58B, 58C) (POST SB 767-78-0020)	F	1
59	315T3210-8		..CASCADE ASSY-RADIAL FLOW (315T4210-3 WITH ITS ATTACHING PARTS I/W 315T3210-8 T/W ITS ATTACHING PARTS) (PRE SB 767-78-0020)	F	1
60	BACR15CE3B		...RIVET- (SIZE DETERMINE ON INST)	E,H,A D	8
-60A	BACR15CE3B		...RIVET- (SIZE DETERMINE ON INST)	F,G,A C	8

71-11-32

 ILLUSTRATED PARTS LIST
 01.1 Page 1088W
 Jul 01/03

FIG. & ITEM	PART NO.	AIRLINE PART NUMBER	NOMENCLATURE 1234567	EFF CODE	QTY PER ASSY
10-62	BRF100C4D		...NUTPLATE- (V52828) (SPEC BACN10KB4CFD) (OPT F51604-4 (V15653)) (OPT 102F9207P4 (V72962)) (OPT F51604-4 (V15653)) (USED ON ITEMS 52, 54, 54B, 54C, 54D)	E,H,A D	2
62A	BRF100C4D		...NUTPLATE- (V52828) (SPEC BACN10KB4CFD) (OPT F51604-4 (V15653)) (OPT 102F9207P4 (V72962)) (OPT F51604-4 (V15653)) (USED ON ITEMS 56, 58, 58B, 58C, 58D)	F,G,A C	2
64	315T4210-10		...SPACER-RADIUS FILLER (USED ON ITEMS 52, 54, 54B, 54C, 54D)	E,H,A D	2
-64A	315T4210-10		...SPACER-RADIUS FILLER (USED ON ITEMS 56, 58, 58B, 58C, 58D)	F,G,A C	2
66	BRF200C4D		...NUTPLATE- (V52828) (SPEC BACN10JR4CFD) (OPT K51602-4BAC (V15653)) (OPT NS202476-048 (V80539)) (OPT 102F9201-4 (V72962)) (OPT T8092C428CD (V11815)) (USED ON ITEMS 52, 54, 54B, 54C, 54D)	E,H,A D	2

71-11-32

 ILLUSTRATED PARTS LIST
 01.1 Page 1088X
 Jul 01/03


BOEING
 COMPONENT
 MAINTENANCE MANUAL

FIG. & ITEM	PART NO.	AIRLINE PART NUMBER	NOMENCLATURE 1234567	EFF CODE	QTY PER ASSY
10- -66A	BRF200C4D		...NUTPLATE- (V52828) (SPEC BACN10JR4CFD) (OPT K51602-4BAC (V15653)) (OPT NS202476-048 (V80539)) (OPT 102F9201-4 (V72962)) (OPT T8092C428CD (V11815)) (USED ON ITEMS 56, 58, 58B, 58C, 58D)	F,G,A C	2
68	315T4210-9		...SPACER-RADIUS FILLER (USED ON ITEMS 52, 54, 54B, 54C, 54D)	E,H,A D	2
-68A	315T4210-9		...SPACER-RADIUS FILLER (USED ON ITEMS 56, 58, 58B, 58C, 58D)	F,G,A C	2
70	M13640-048		...NUTPLATE- (V80539) (USED ON ITEM 55)	H	4
-70A	M13640-048		...NUTPLATE- (V80539) (USED ON ITEM 59)	F	4
72	BACR15BB3B		...RIVET- (SIZE DETERMINE ON INST)	E,H,A D	2
-72A	BACR15BB3B		...RIVET- (SIZE DETERMINE ON INST)	F,G,A C	2
74	69B97503-1		...TAG-IDENT (USED ON ITEM 55)	H	1
-74A	69B97503-1		...TAG-IDENT (USED ON ITEM 59)	F	1
-74B	315T4210-11		DELETED		
-74C	315T4210-11		DELETED		
-74D	315T4210-11		...TAG-IDENT (OPT ITEM 74E) (USED ON ITEMS 52, 54, 54B, 54C, 54D)	E,H,A D	1
-74E	69B97503-1		...TAG-IDENT (OPT ITEM 74D) (USED ON ITEMS 52, 54, 54B, 54C, 54D)	E,H,A D	1

71-11-32

ILLUSTRATED PARTS LIST

01.1 Page 1088Y

Jul 01/03

FIG. & ITEM	PART NO.	AIRLINE PART NUMBER	NOMENCLATURE 1234567	EFF CODE	QTY PER ASSY
10- -74F	315T4210-11		...TAG-IDENT (OPT ITEM 74G) (USED ON ITEMS 56, 58, 58B, 58C, 58D)	F,G,A C	1
-74G	69B97503-1		...TAG-IDENT (OPT ITEM 74F) (USED ON ITEMS 56, 58, 58B, 58C, 58D)	F,G,A C	1
76	315T4210-7		...CASCADE- (USED ON ITEM 52, 54, 54B)	E,H,A D	1
76A	315T4210-7		...CASCADE- (USED ON ITEM 56, 58, 58B)	F,G,A C	1
76B	315T3210-11		DELETED		
76C	315T3210-11		DELETED		
-76D	315T4212-7		...CASCADE- (USED ON ITEM 54C)	H	1
-76E	315T4212-7		...CASCADE- (USED ON ITEM 58C)	F	1
-76F	315T4212-8		...CASCADE- (USED ON ITEM 54D)	H	1
-76G	315T4212-8		...CASCADE- (USED ON ITEM 58D)	F	1
77	315T3210-11		...CASCADE- (USED ON ITEM 55)	H	1
-77A	315T3210-11		...CASCADE- (USED ON ITEM 59)	F	1
78	315T4212-3		..CASCADE ASSY-39.2 DEG SKEWED (315T4212-3 T/W ITS ATTACHING PARTS I/W 315T3212-3 OR -13 T/W ITS ATTACHING PARTS)	E	2

71-11-32

 ILLUSTRATED PARTS LIST
 01.1 Page 1088Z
 Jul 01/03


BOEING
 COMPONENT
 MAINTENANCE MANUAL

FIG. & ITEM	PART NO.	AIRLINE PART NUMBER	NOMENCLATURE 1234567	EFF CODE	QTY PER ASSY
10-80	315T4212-4		..CASCADE ASSY-39.2 DEG SKEWED (315T4212-4 WITH ITS ATTACHING PARTS I/W 315T3212-4 OR -14 T/W ITS ATTACHING PARTS)	AD	2
80A -80B	315T3212-14 315T4212-4		DELETED ..CASCADE ASSY-39.2 DEG SKEWED (315T4212-4 WITH ITS ATTACHING PARTS I/W 315T3212-4 OR -14 T/W ITS ATTACHING PARTS) (OPT ITEM 80C) (POST SB 767-78-0020)	H	2
-80C	315T4210-3		..CASCADE ASSY-RADIAL FLOW (OPT ITEM 80B) (POST SB 767-78-0020)	H	2
81	315T3212-14		..CASCADE ASSY-39.2 DEG SKEWED (315T4212-4 WITH ITS ATTACHING PARTS I/W 315T3212-14 TOGETHER WITH ITS ATTACHING PARTS) (PRE SB 767-78-0020)	H	2
82	315T4212-3		..CASCADE ASSY-39.2 DEG SKEWED (315T4212-3 T/W ITS ATTACHING PARTS I/W 315T3212-3 OR -13 T/W ITS ATTACHING PARTS)	G	1

71-11-32

 ILLUSTRATED PARTS LIST
 01.1 Page 1089
 Jul 01/03

FIG. & ITEM	PART NO.	AIRLINE PART NUMBER	NOMENCLATURE 1234567	EFF CODE	QTY PER ASSY
10-84	315T4212-4		..CASCADE ASSY-39.2 DEG SKEWED (315T4212-4 WITH ITS ATTACHING PARTS I/W 315T3212-4 OR -14 T/W ITS ATTACHING PARTS)	AC	1
84A	315T3212-14		..CASCADE ASSY-39.2 DEG SKEWED (315T4212-4 WITH ITS ATTACHING PARTS I/W 315T3212-14 TOGETHER WITH ITS ATTACHING PARTS)	F	1
-84B	315T4212-4		..CASCADE ASSY-39.2 DEG SKEWED (315T4212-4 WITH ITS ATTACHING PARTS I/W 315T3212-4 OR -14 T/W ITS ATTACHING PARTS) (OPT ITEM 84C) (POST SB 767-78-0020)	F	1
-84C	315T4210-3		..CASCADE ASSY-RADIAL FLOW (OPT ITEM 84B) (POST SB 767-78-0020)	F	1
85	315T3212-14		..CASCADE ASSY-39.2 DEG SKEWED (315T4212-4 WITH ITS ATTACHING PARTS I/W 315T3212-14 TOGETHER WITH ITS ATTACHING PARTS) (PRE SB 767-78-0020)	F	1

71-11-32

 ILLUSTRATED PARTS LIST
 01.1 Page 1090
 Jul 01/03

BOEING
 COMPONENT
 MAINTENANCE MANUAL

FIG. & ITEM	PART NO.	AIRLINE PART NUMBER	NOMENCLATURE 1234567	EFF CODE	QTY PER ASSY
10-86	BACR15CE3B		...RIVET- (SIZE DETERMINE ON INST) (USED ON ITEM 81)	H	4
-86A	BACR15CE3B		...RIVET- (SIZE DETERMINE ON INST) (USED ON ITEM 85)	F	4
88	M13640-048		...NUTPLATE- (V80539) (USED ON ITEM 81)	H	2
-88A	M13640-048		...NUTPLATE- (V80539) (USED ON ITEM 85)	F	2
90	BACR15CE3B		...RIVET- (SIZE DETERMINE ON INST) (USED ON ITEMS 78, 80, 80B, 80C)	E,H,A D	8
-90A	BACR15CE3B		...RIVET- (SIZE DETERMINE ON INST) (USED ON ITEMS 82, 84, 84B, 84C)	F,G,A C	8
92	BRF100C4D		...NUTPLATE- (V52828) (SPEC BACN10KB4CFD) (OPT F51604-4 (V15653)) (OPT 102F9207P4 (V72962)) (OPT F51604-4 (V15653)) (USED ON ITEMS 78, 80, 80B, 80C)	E,H,A D	2
-92A	BRF100C4D		...NUTPLATE- (V52828) (SPEC BACN10KB4CFD) (OPT F51604-4 (V15653)) (OPT 102F9207P4 (V72962)) (OPT F51604-4 (V15653)) (USED ON ITEMS 82, 84, 84B, 84C)	F,G,A C	2

71-11-32

ILLUSTRATED PARTS LIST
 01.1 Page 1090A
 Jul 01/03

FIG. & ITEM	PART NO.	AIRLINE PART NUMBER	NOMENCLATURE 1234567	EFF CODE	QTY PER ASSY
10-94	315T4210-10		...SPACER-RADIUS FILLER (USED ON ITEMS 78, 80, 80B, 80C)	E,H,A D	2
-94A	315T4210-10		...SPACER-RADIUS FILLER (USED ON ITEMS 82, 84, 84B, 84C)	F,G,A C	2
96	BRF200C4D		...NUTPLATE- (V52828) (SPEC BACN10JR4CFD) (OPT K51602-4BAC (V15653)) (OPT NS202476-048 (V80539)) (OPT 102F9201-4 (V72962)) (OPT T8092C428CD (V11815)) (USED ON ITEMS 78, 80, 80B, 80C)	E,H,A D	2
-96A	BRF200C4D		...NUTPLATE- (V52828) (SPEC BACN10JR4CFD) (OPT K51602-4BAC (V15653)) (OPT NS202476-048 (V80539)) (OPT 102F9201-4 (V72962)) (OPT T8092C428CD (V11815)) (USED ON ITEMS 82, 84, 84B, 84C)	F,G,A C	2

71-11-32

 ILLUSTRATED PARTS LIST
 01.1 Page 1090B
 Jul 01/03


BOEING
 COMPONENT
 MAINTENANCE MANUAL

FIG. & ITEM	PART NO.	AIRLINE PART NUMBER	NOMENCLATURE 1234567	EFF CODE	QTY PER ASSY
10-98	315T4210-9		...SPACER-RADIUS FILLER (USED ON ITEMS 78, 80, 80B, 80C)	E,H,A D	2
-98A	315T4210-9		...SPACER-RADIUS FILLER (USED ON ITEMS 82, 84, 84B, 84C)	F,G,A C	2
100	BACR15BB3B		...RIVET- (SIZE DETERMINE ON INST)	E,H,A D	2
-100A	BACR15BB3B		...RIVET- (SIZE DETERMINE ON INST)	F,G,A C	2
102	69B97503-1		...TAG-IDENT (USED ON ITEM 81)	H	1
-102A	69B97503-1		...TAG-IDENT (USED ON ITEM 85)	F	1
-102B	315T4210-11		DELETED		
-102C	315T4210-11		DELETED		
-102D	315T4210-11		...TAG-IDENT (OPT ITEM 102E) (USED ON ITEMS 78, 80, 80B, 80C)	H	1
-102E	69B97503-1		...TAG-IDENT (OPT ITEM 102D) (USED ON ITEMS 78, 80, 80B, 80C)	H	1
-102F	315T4210-11		...TAG-IDENT (OPT ITEM 102G) (USED ON ITEMS 82, 84, 84B, 84C)	F	1
-102G	69B97503-1		...TAG-IDENT (OPT ITEM 102F) (USED ON ITEMS 82, 84, 84B, 84C)	F	1

71-11-32

 ILLUSTRATED PARTS LIST
 01.1 Page 1090C
 Jul 01/03

FIG. & ITEM	PART NO.	AIRLINE PART NUMBER	NOMENCLATURE 1234567	EFF CODE	QTY PER ASSY
10-					
104	315T4212-7		...CASCADE	E	1
-104A	315T4212-7		...CASCADE	G	1
-104B	315T4212-8		...CASCADE- (USED ON ITEMS 80, 80B)	H,AD	1
-104C	315T4212-8		...CASCADE- (USED ON ITEMS 84, 84B)	F,AC	1
104D	315T3212-18		DELETED		
104E	315T3212-18		DELETED		
-104F	315T4210-7		...CASCADE- (USED ON ITEM 80C)	H	1
-104G	315T4210-7		...CASCADE- (USED ON ITEM 84C)	F	1
105	315T3212-18		...CASCADE- (USED ON ITEM 81)	H	1
-105A	315T3212-18		...CASCADE- (USED ON ITEM 85)	F	1
106	315T4212-1		..CASCADE ASSY-39.2 DEG SKEWED (315T4212-1 WITH ITS ATTACHING PARTS I/W 315T3212-1 OR -11 T/W ITS ATTACHING PARTS)	E	1
108	315T4212-2		..CASCADE ASSY-39.2 DEG SKEWED (315T4212-2 WITH ITS ATTACHING PARTS I/W 315T3212-2 OR -12 T/W ITS ATTACHING PARTS)	AD	1
108A	315T3212-12		DELETED		
-108B	315T4212-2		..CASCADE ASSY-39.2 DEG SKEWED (315T4212-2 WITH ITS ATTACHING PARTS I/W 315T3212-2 OR -12 T/W ITS ATTACHING PARTS) (POST SB 767-78-0020)	H	1

71-11-32

 ILLUSTRATED PARTS LIST
 01.1 Page 1090D
 Jul 01/03


BOEING
 COMPONENT
 MAINTENANCE MANUAL

FIG. & ITEM	PART NO.	AIRLINE PART NUMBER	NOMENCLATURE 1234567	EFF CODE	QTY PER ASSY
10-109	315T3212-12		..CASCADE ASSY-39.2 DEG SKEWED (315T4212-2 WITH ITS ATTACHING PARTS I/W 315T3212-12 TOGETHER WITH ITS ATTACHING PARTS) (PRE SB 767-78-0020)	H	1
110	BACR15CE3B		...RIVET- (SIZE DETERMINE ON INST) (USED ON ITEM 109)	H	4
112	M13640-048		...NUTPLATE- (V80539) (USED ON ITEM 109)	H	2
114	BACR15CE3B		...RIVET- (SIZE DETERMINE ON INST) (USED ON ITEMS 106, 108, 108B)	E,H,A D	8
116	BRF100C4D		...NUTPLATE- (V52828) (SPEC BACN10KB4CFD) (OPT F51604-4 (V15653)) (OPT 102F9207P4 (V72962)) (OPT F51604-4 (V15653)) (USED ON ITEMS 106, 108, 108B)	E,H,A D	2

71-11-32

 ILLUSTRATED PARTS LIST
 01.1 Page 1090E
 Jul 01/03

FIG. & ITEM	PART NO.	AIRLINE PART NUMBER	NOMENCLATURE 1234567	EFF CODE	QTY PER ASSY
10-118	315T4210-10		...SPACER-RADIUS FILLER (USED ON ITEMS 106, 108, 108B)	E,H,A D	2
120	BRF200C4D		...NUTPLATE- (V52828) (SPEC BACN10JR4CFD) (OPT K51602-4BAC (V15653)) (OPT NS202476-048 (V80539)) (OPT 102F9201-4 (V72962)) (OPT T8092C428CD (V11815)) (USED ON ITEMS 106, 108, 108B)	E,H,A D	2
122	315T4210-9		...SPACER-RADIUS FILLER (USED ON ITEMS 106, 108, 108B)	E,H,A D	2
124	BACR15BB3B		...RIVET- (SIZE DETERMINE ON INST)	E,H,A D	2
126	69B97503-1		...TAG-IDENT (USED ON ITEM 109)	H	1
-126A	315T4210-11		...TAG-IDENT (OPT ITEM 126B) (USED ON ITEMS 106, 108, 108B)	E,H,A D	1
-126B	69B97503-1		...TAG-IDENT (OPT ITEM 126A) (USED ON ITEMS 106, 108, 108B)	E,H,A D	1
128	315T4212-5		...CASCADE	E	1
-128A	315T4212-6		...CASCADE- (USED ON ITEMS 108, 108B)	H,AD	1
128B	315T3212-16		DELETED		

71-11-32

 ILLUSTRATED PARTS LIST
 01.1 Page 1090F
 Jul 01/03


BOEING
 COMPONENT
 MAINTENANCE MANUAL

FIG. & ITEM	PART NO.	AIRLINE PART NUMBER	NOMENCLATURE 1234567	EFF CODE	QTY PER ASSY
10-129	315T3212-16		...CASCADE- (USED ON ITEM 109)	H	1
130 130A	315T3259-7 315T4259-1		DELETED ..CASCADE ASSY-58.25 DEG CURVED STRONGBACK (315T4259-1 WITH ITS ATTACHING PARTS I/W 315T3259-7 T/W ITS ATTACHING PARTS) (PRE SB 767-78-0069)	AC	2
-130B	315T4259-7		..CASCADE ASSY-58.25 DEG CURVED STRONGBACK (POST SB 767-78-0069)	AC	2
-130C	315T4259-1		..CASCADE ASSY-58.25 DEG CURVED STRONGBACK (315T4259-1 WITH ITS ATTACHING PARTS I/W 315T3259-7 T/W ITS ATTACHING PARTS) (POST SB 767-78-0020) (PRE SB 767-78-0069)	F	2
-130D	315T4259-7		..CASCADE ASSY-58.25 DEG CURVED STRONGBACK (OPT ITEM 130E) (POST SB 767-78-0069)	F	2
-130E	315T4259-9		..CASCADE ASSY-58.25 DEG CURVED STRONGBACK (OPT ITEM 130D) (POST SB 767-78-0069)	F	2

71-11-32

 ILLUSTRATED PARTS LIST
 01.1 Page 1090G
 Jul 01/03

FIG. & ITEM	PART NO.	AIRLINE PART NUMBER	NOMENCLATURE 1234567	EFF CODE	QTY PER ASSY
10-131	315T3259-7		..CASCADE ASSY-58.25 DEG CURVED STRONGBACK (315T4259-1 WITH ITS ATTACHING PARTS I/W 315T3259-7 TOGETHER WITH ITS ATTACHING PARTS) (PRE SB 767-78-0020)	F	2
132	315T4259-2		..CASCADE ASSY-58.25 DEG CURVED STRONGBACK (315T4259-2 WITH ITS ATTACHING PARTS I/W 315T3259-8 OR -2 T/W ITS ATTACHING PARTS) (POST SB 767-78-0020) (PRE SB 767-78-0069)	G	2
-132A	315T4259-8		..CASCADE ASSY-58.25 DEG CURVED STRONGBACK (OPT ITEM 132B) (POST SB 767-78-0069)	G	2
-132B	315T4259-10		..CASCADE ASSY-58.25 DEG CURVED STRONGBACK (OPT ITEM 132A) (POST SB 767-78-0069)	G	2
134	BACR15CE3B		...RIVET- (SIZE DETERMINE ON INST)	F,G,A C	8
136	M13640-048		...NUTPLATE- (V80539) (USED ON ITEM 131)	F	4
138	BRF100C4D		...NUTPLATE- (V52828) (SPEC BACN10KB4CFD) (OPT F51604-4 (V15653)) (OPT 102F9207P4 (V72962)) (OPT F51604-4 (V15653)) (USED ON ITEMS 130A, 130B, 130C, 130D, 130E, 132, 132A, 132B)	F,G,A C	2

71-11-32

 ILLUSTRATED PARTS LIST
 01.1 Page 1090H
 Jul 01/03


BOEING
 COMPONENT
 MAINTENANCE MANUAL

FIG. & ITEM	PART NO.	AIRLINE PART NUMBER	NOMENCLATURE 1234567	EFF CODE	QTY PER ASSY
10-140	315T4210-10		...SPACER-RADIUS FILLER (USED ON ITEMS 130A, 130B, 130C, 130D, 130E, 132, 132A, 132B)	F,G,A C	2
142	BRF200C4D		...NUTPLATE- (V52828) (SPEC BACN10JR4CFD) (OPT K51602-4BAC (V15653)) (OPT NS202476-048 (V80539)) (OPT 102F9201-4 (V72962)) (OPT T8092C428CD (V11815)) (USED ON ITEMS 130A, 130B, 130C, 130D, 130E, 132, 132A, 132B)	F,G,A C	2
144	315T4210-9		...SPACER-RADIUS FILLER (USED ON ITEMS 130A, 130B, 130C, 130D, 130E, 132, 132A, 132B)	F,G,A C	2
146	BACR15BB3B		...RIVET- (SIZE DETERMINE ON INST)	F,G,A C	2
148	69B97503-1		...TAG-IDENT	F,G,A C	1
150	315T3259-9		...CASCADE- (USED ON ITEM 131)	F	1
150A	315T4259-3		DELETED		
150B	315T4259-4		DELETED		
151	315T4259-3		...CASCADE- (USED ON ITEMS 130A, 130B, 130C, 130D)	F,AC	1
-151A	315T4259-4		...CASCADE- (USED ON ITEMS 132, 132A)	G	1

71-11-32

ILLUSTRATED PARTS LIST

01.1 Page 1090I

Jul 01/03

FIG. & ITEM	PART NO.	AIRLINE PART NUMBER	NOMENCLATURE 1234567	EFF CODE	QTY PER ASSY
10- -151B	315T4259-11		...CASCADE- (USED ON ITEM 131D)	F	1
-151C	315T4259-12		...CASCADE- (USED ON ITEM 132B)	G	1
152	315T3262-4		..CASCADE ASSY-90 DEG RADIAL FLOW (315T4262-1 WITH ITS ATTACHING PARTS I/W 315T3262-4 TOGETHER WITH ITS ATTACHING PARTS) (PRE SB 767-78-0020)	F	2
152A	315T4262-1		DELETED		
153	315T4262-1		..CASCADE ASSY-RADIAL SPOILED FLOW (315T4262-1 WITH ITS ATTACHING PARTS I/W 315T3262-4 OR -1 T/W ITS ATTACHING PARTS)	AC	2
-153A	315T4262-1		..CASCADE ASSY-RADIAL SPOILED FLOW (315T4262-1 WITH ITS ATTACHING PARTS I/W 315T3262-4 OR -1 T/W ITS ATTACHING PARTS) (POST SB 767-78-0020)	F	2
154	315T4262-1		..CASCADE ASSY-RADIAL SPOILED FLOW (315T4262-1 WITH ITS ATTACHING PARTS I/W 315T3262-4 OR -1 T/W ITS ATTACHING PARTS)	G	2
156	BACR15CE3B		...RIVET- (SIZE DETERMINE ON INST)	F,G,A C	8
158	M13640-048		...NUTPLATE- (V80539) (USED ON ITEM 152)	F	4

71-11-32

 ILLUSTRATED PARTS LIST
 01.1 Page 1090J
 Jul 01/03


BOEING
 COMPONENT
 MAINTENANCE MANUAL

FIG. & ITEM	PART NO.	AIRLINE PART NUMBER	NOMENCLATURE 1234567	EFF CODE	QTY PER ASSY
10-160	BRF100C4D		...NUTPLATE- (V52828) (SPEC BACN10KB4CFD) (OPT F51604-4 (V15653)) (OPT 102F9207P4 (V72962)) (OPT F51604-4 (V15653)) (USED ON ITEMS 153, 153A, 154)	F,G,A C	2
162	315T4210-10		...SPACER-RADIUS FILLER (USED ON ITEMS 153, 153A, 154)	F,G,A C	2
164	BRF200C4D		...NUTPLATE- (V52828) (SPEC BACN10JR4CFD) (OPT K51602-4BAC (V15653)) (OPT NS202476-048 (V80539)) (OPT 102F9201-4 (V72962)) (OPT T8092C428CD (V11815)) (USED ON ITEMS 153, 153A, 154)	F,G,A C	2
166	315T4210-9		...SPACER-RADIUS FILLER (USED ON ITEMS 153, 153A, 154)	F,G,A C	2
168	BACR15BB3B		...RIVET- (SIZE DETERMINE ON INST)	F,G,A C	2

71-11-32

 ILLUSTRATED PARTS LIST
 01.1 Page 1090K
 Jul 01/03

FIG. & ITEM	PART NO.	AIRLINE PART NUMBER	NOMENCLATURE 1234567	EFF CODE	QTY PER ASSY
10-170	69B97503-1		...TAG-IDENT	F,G,A C	1
172	315T3262-5		...CASCADE- (USED ON ITEM 152)	F	1
172A	315T4262-2		DELETED		
173	315T4262-2		...CASCADE- (USED ON ITEMS 153, 153A, 154)	F,G,A C	1
174	315T3214-7		..CASCADE ASSY-CURVED STRONGBACK (315T4214-3 TOGETHER WITH ITS ATTACHING PARTS I/W 315T3214-7 TOGETHER WITH ITS ATTACHING PARTS IN POSITION NO. 15 ONLY) (315T4214-1 T/W ITS ATTACHING PARTS I/W 315T3214-7 T/W ITS ATTACHING PARTS IN POS NO. 27 ONLY) (PRE SB 767-78-0020)	F	1
174A	315T4214-3		DELETED		

71-11-32

 ILLUSTRATED PARTS LIST
 01.1 Page 1090L
 Jul 01/03


BOEING
 COMPONENT
 MAINTENANCE MANUAL

FIG. & ITEM	PART NO.	AIRLINE PART NUMBER	NOMENCLATURE 1234567	EFF CODE	QTY PER ASSY
10-175	315T4214-3		..CASCADE ASSY-SPOILED 44 DEG CURVED STRONGBACK (315T4214-3 TOGETHER WITH ITS ATTACHING PARTS I/W 315T3214-7 OR -1 T/W ITS ATTACHING PARTS IN POSITION NO. 15 ONLY)	AC	1
-175A	315T4214-3		..CASCADE ASSY-SPOILED 44 DEG CURVED STRONGBACK (315T4214-3 TOGETHER WITH ITS ATTACHING PARTS I/W 315T3214-7 OR -1 T/W ITS ATTACHING PARTS IN POSITION NO. 15 ONLY) (OPT ITEM 175B) (POST SB 767-78-0020)	F	1
-175B	315T4214-1		..CASCADE ASSY-SPOILED 44 DEG CURVED STRONGBACK (315T4214-1 TOGETHER WITH ITS ATTACHING PARTS I/W 315T3214-7 OR -1 T/W ITS ATTACHING PARTS IN POSITION NO. 27 ONLY) (OPT ITEM 175A) (POST SB 767-78-0020)	F	1
176	315T4214-4		..CASCADE ASSY-SPOILED 44 DEG CURVED STRONGBACK (315T4214-4 TOGETHER WITH ITS ATTACHING PARTS I/W 315T3214-8 OR -2 WITH ITS ATTACHING PARTS AT POSITION NO. 24 ONLY)	G	1
178	315T3214-8		..CASCADE ASSY-CURVED STRONGBACK (315T4214-2 TOGETHER WITH ITS ATTACHING PARTS I/W 315T3214-8 TOGETHER WITH ITS ATTACHING PARTS IN POSITION NO. 18 ONLY) (315T4214-4 T/W ITS ATTACHING PARTS I/W 315T3214-8 T/W ITS ATTACHING PARTS IN POSITION NO. 24 ONLY) (PRE SB 767-78-0020)	F	1

71-11-32

 ILLUSTRATED PARTS LIST
 01.1 Page 1090M
 Jul 01/03

FIG. & ITEM	PART NO.	AIRLINE PART NUMBER	NOMENCLATURE 1234567	EFF CODE	QTY PER ASSY
10-178A 179	315T4214-2 315T4214-2		DELETED ..CASCADE ASSY-SPOILED 44 DEG CURVED STRONGBACK (315T4214-2 T/W ITS ATTACHING PARTS I/W 315T3214-8 OR -2 T/W ITS ATTACHING PARTS IN POSITION NO. 18 ONLY)	AC	1
-179A	315T4214-2		..CASCADE ASSY-SPOILED 44 DEG CURVED STRONGBACK (315T4214-2 T/W ITS ATTACHING PARTS I/W 315T3214-8 OR -2 T/W ITS ATTACHING PARTS IN POSITION NO. 18 ONLY) (OPT ITEM 179B) (POST SB 767-78-0020)	F	1
-179B	315T4214-4		..CASCADE ASSY-SPOILED 44 DEG CURVED STRONGBACK (315T4214-4 T/W ITS ATTACHING PARTS I/W 315T3214-8 OR -2 T/W ITS ATTACHING PARTS IN POSITION NO. 24 ONLY) (OPT ITEM 179A) (POST SB 767-78-0020)	F	1
180	315T4214-1		..CASCADE ASSY-SPOILED 44 DEG CURVED STRONGBACK (315T4214-1 TOGETHER ITS ATTACHING PARTS I/W WITH 315T3214-7 OR -1 T/W ITS ATTACHING PARTS IN POSITION NO. 27 ONLY)	G	1
182	BACR15CE3B		...RIVET- (SIZE DETERMINE ON INST)	F,G,A C	8
184	M13640-048		...NUTPLATE- (V80539) (USED ON ITEMS 174, 178)	F	4

71-11-32

 ILLUSTRATED PARTS LIST
 01.1 Page 1090N
 Jul 01/03

BOEING
 COMPONENT
 MAINTENANCE MANUAL

FIG. & ITEM	PART NO.	AIRLINE PART NUMBER	NOMENCLATURE 1234567	EFF CODE	QTY PER ASSY
10-186	BRF100C4D		...NUTPLATE- (V52828) (SPEC BACN10KB4CFD) (OPT F51604-4 (V15653)) (OPT 102F9207P4 (V72962)) (OPT F51604-4 (V15653)) (USED ON ITEMS 175, 175A, 175B, 176, 179, 179A, 179B, 180)	F,G,A C	2
188	315T4210-10		...SPACER-RADIUS FILLER (USED ON ITEMS 175, 175A, 175B, 176, 179, 179A, 179B, 180)	F,G,A C	2
190	BRF200C4D		...NUTPLATE- (V52828) (SPEC BACN10JR4CFD) (OPT K51602-4BAC (V15653)) (OPT NS202476-048 (V80539)) (OPT 102F9201-4 (V72962)) (OPT T8092C428CD (V11815)) (USED ON ITEMS 175, 175A, 175B, 176, 179, 179A, 179B, 180)	F,G,A C	2

71-11-32

ILLUSTRATED PARTS LIST
 01.1 Page 10900
 Jul 01/03

FIG. & ITEM	PART NO.	AIRLINE PART NUMBER	NOMENCLATURE 1234567	EFF CODE	QTY PER ASSY
10-192	315T4210-9		...SPACER-RADIUS FILLER (USED ON ITEMS 175, 175A, 175B, 176, 179, 179A, 179B, 180)	F,G,A C	2
194	BACR15BB3B		...RIVET- (SIZE DETERMINE ON INST)	F,G,A C	2
196	69B97503-1		...TAG-IDENT	F,G,A C	1
198	315T3214-9		...CASCADE- (USED ON ITEM 174)	F	1
198A	315T4214-7		DELETED		
198B	315T4214-8		DELETED		
-198C	315T3214-10		...CASCADE- (USED ON ITEM 178)	F	1
200	315T3214-10		DELETED		
200A	315T4214-6		...CASCADE- (USED ON ITEM 179, 179A)	F,AC	1
-200B	315T4214-5		...CASCADE- (USED ON ITEM 175B, 180)	F,G	1
-200C	315T4214-7		...CASCADE- (USED ON ITEM 175, 175A)	F,AC	1
-200D	315T4214-8		...CASCADE- (USED ON ITEM 176, 179B)	F,G	1
202	315T3007-4		..FAIRING-FILLET	F,H,A C,AD	1
-204	315T3128-17		..SYSTEM INSTL-ZONE VENTILATION	E,G	1
206	BACS12CK4U8		...SCREW	E,G	1

71-11-32

 ILLUSTRATED PARTS LIST
 01.1 Page 1090P
 Jul 01/03


BOEING
 COMPONENT
 MAINTENANCE MANUAL

FIG. & ITEM	PART NO.	AIRLINE PART NUMBER	NOMENCLATURE 1234567	EFF CODE	QTY PER ASSY
10-208	BRH10C4M		...NUT- (V52828) (SPEC BACN10JC4CM) (OPT T6C428JM (V11815)) (OPT 97E48 (V80539)) (OPT 109LH9075-4W (V72962)) (OPT VN303D048 (V92215)) (OPT 9NS202101SE048 (VA8053)) (OPT H01-4BAC (V15653))	E,G	1
210	BACN30NW6K19		DELETED		
210A	BACB30NW6K		...BOLT- (SIZE DETERMINE ON INST)	E,G	1
212	HL79-6		...COLLAR- (V5M902) (SPEC BACC30M6) (OPT HL79-6 (V73197)) (OPT HL79-6 (V92215)) (OPT 66014-6 (V56878)) (OPT HL79-6 (V56878))	E,G	1
214	BACJ40A21-8		...JUMPER ASSY	E,G	1
216	14J29300		...CLAMP- (V5T400) (SPEC BACC10GY300) (OPT 4385AF300 (V94581)) (OPT PDVC1137300 (V14242)) (OPT NM102701300 (V8W928))	E,G	2
218	AN960C10L		...WASHER	E,G	4
220	NAS1716C48M		...CLAMP ASSY	E,G	1
222	NAS1716C40M		...CLAMP ASSY	E,G	1
224	BACS40R6W38		...SHIM	E,G	2
226	BACS40R6W33		...SHIM	E,G	2

71-11-32

 ILLUSTRATED PARTS LIST
 01.1 Page 1090Q
 Jul 01/03

FIG. & ITEM	PART NO.	AIRLINE PART NUMBER	NOMENCLATURE 1234567	EFF CODE	QTY PER ASSY
10- 228 230	BACS12CK3U8 BRH10C3M		...SCREW ...NUT- (V52828) (SPEC BACN10JC3CM) (OPT T6C1032JM (V11815)) (OPT 97E02 (V80539)) (OPT 109LH9075-3W (V72962)) (OPT VN303D02 (V92215)) (OPT NS202101SE02 (V80539)) (OPT H01-3BAC (V15653))	E,G E,G	5 1
232 234 236 237 238	BACC10EP38 BACS12CK3U8 NAS6703U4 AN960PD10 BRH10C3M		...CLAMP ...SCREW DELETED ...WASHER ...NUT- (V52828) (SPEC BACN10JC3CM) (OPT T6C1032JM (V11815)) (OPT 97E02 (V80539)) (OPT 109LH9075-3W (V72962)) (OPT VN303D02 (V92215)) (OPT NS202101SE02 (V80539)) (OPT H01-3BAC (V15653))	E,G E,G E,G E,G	AR 11 3 4

71-11-32

 ILLUSTRATED PARTS LIST
 01.1 Page 1090R
 Jul 01/03


BOEING
 COMPONENT
 MAINTENANCE MANUAL

FIG. & ITEM	PART NO.	AIRLINE PART NUMBER	NOMENCLATURE 1234567	EFF CODE	QTY PER ASSY
10- 240 240A 240B	BACC10EP4 025029-04 S500-6		DELETED DELETED ...CLAMP- (V18076) (SPEC BACC10HS06) (OPT 025029-06 (V84971)) (OPT 44LC17H6PB (V22175)) (OPT 490-06RPB (V83930))	E,G	10
242 244	JP0030-6 BACC10GT2-06		DELETED ...CLAMP SHELL- (V83930) (SPEC BACC10GT2-06) (LIMITED)	E,G	20
-244A	BACC10GT2-06P		...CLAMP SHELL- (LIMITED)	E,G	20
246	315T3128-11		...TUBE ASSY- (MFD FROM TUBING CRES 21-6-9 BMS7-185 F-25.01 0.375 IN. OD 0.020 IN. WALL 31.5 IN. LG)	E,G	1
-248	DB0S13BX06H		...SLEEVE- (V14798) (SPEC BACS13BX06H) (OPT 2-02903-06H (V11328)) (OPT 35235V06 (V08199)) (OPT AP2097-06H (V01673)) (OPT AFP175V06 (V30974))	E,G	1

71-11-32

 ILLUSTRATED PARTS LIST
 01.1 Page 1090S
 Jul 01/03

FIG. & ITEM	PART NO.	AIRLINE PART NUMBER	NOMENCLATURE 1234567	EFF CODE	QTY PER ASSY
10- -250 -252	MS21921-6J DBOU24AB6H	NUTUNION- (V14798) (SPEC BACU24AB6H) (OPT 2-01027-6H (V11328)) (OPT 31875-6H (V14397)) (OPT 4671097H6 (V50948)) (OPT 35056V06 (V08199)) (OPT AP1004H06 (V01673)) (OPT AFP941H6 (V30974))	E,G E,G	1 1
254	315T3128-3		...TUBE ASSY- (REPLD BY ITEM 254A) (MFD FROM TUBING CRES 21-6-9 BMS7-185 F-25.01 0.375 IN. OD 0.028 IN. WALL 55.0 IN. LG)	E,G	1
-254A	315T3128-25		...TUBE ASSY- (REPLS ITEM 254) (MFD FROM TUBING ALUM MAGN 0.345 OD 0.035W 55.0 LG 6061T6 WWT700-6)	E,G	1

71-11-32

 ILLUSTRATED PARTS LIST
 01.1 Page 1090T
 Jul 01/03

BOEING
 COMPONENT
 MAINTENANCE MANUAL

FIG. & ITEM	PART NO.	AIRLINE PART NUMBER	NOMENCLATURE 1234567	EFF CODE	QTY PER ASSY
10- -256	DB0S13BX06H	SLEEVE- (V14798) (SPEC BACS13BX06H) (OPT 2-02903-06H (V11328)) (OPT 35235V06 (V08199)) (OPT AP2097-06H (V01673)) (OPT AFP175V06 (V30974)) (USED ON ITEM 254)	E,G	2
-256A	DB0S13BX06HP	SLEEVE- (V14798) (SPEC BACS13BX06HP) (OPT 2-02903-06HP (V11328)) (OPT 35235VN06 (V08199)) (OPT AP2097-06HP (V01673)) (OPT AFP175V06P (V30974)) (USED ON ITEM 254A)	E,G	2
-258	MS21921-6J	NUT	E,G	2
260	AN924-6J		...NUT	E,G	1
262	AN960C916		...WASHER	E,G	1

71-11-32

ILLUSTRATED PARTS LIST
 01.1 Page 1090U
 Jul 01/03

FIG. & ITEM	PART NO.	AIRLINE PART NUMBER	NOMENCLATURE 1234567	EFF CODE	QTY PER ASSY
10-264	AFP238-0604J		...UNION- (V30974) (SPEC BACU24AA0604J) (OPT ER832-0604J (V50948)) (OPT LER832-0604J (V11328)) (OPT 2-010890604J (V11328)) (OPT APX832-0604J (V01673)) (OPT DBOU24AA0604J (V61498)) (OPT FER1579-0604J (V14397)) (OPT US2113-0604J (V50808)) (OPT APX832J0604 (V01673))	E,G	1
266	AS161E0150AAN		...HOSE- (V00624) (SPEC BACH5M0150AAN) (OPT B307BBB0150CN (V03925)) (OPT R8918M0150AAN (V06851)) (OPT 95850M0150AAN (V78570)) (OPT R89180150AAN (V06851)) (OPT R89180150AAN (V12157)) (OPT R89180150AAN (V50599)) (OPT AS118E0150AAN (V00624))	E,G	1

71-11-32

 ILLUSTRATED PARTS LIST
 01.1 Page 1090V
 Jul 01/03


BOEING
 COMPONENT
 MAINTENANCE MANUAL

FIG. & ITEM	PART NO.	AIRLINE PART NUMBER	NOMENCLATURE 1234567	EFF CODE	QTY PER ASSY
10-268	315T3129-2		...GROMMET- (LIMITED)	E,G	1
270	315T3120-16		...DUCT ASSY- (REWORK) (OPT ITEM 270A)	E,G	1
-270A	315T3120-17		...DUCT ASSY- (OPT ITEM 270)	E,G	1
272	5830205-101		...VALVE-SHUTOFF (V92003) (SPEC S315T106-3) (5830205-102 (V92003))	E,G	1
-272A	5830205-102		...VALVE-SHUTOFF (V92003) (SPEC S315T106-3) (5830205-101 (V92003))	E,G	1
274	HL1012AZ6-3		...BOLT- (V97928) (SPEC BACB30NX6K3) (OPT HL12VAZ6-3 (V73197)) (OPT HL12VAZ6-3 (V92215)) (OPT HL12VAZ6-3 (V97928)) (OPT L802-6K3 (V06725)) (OPT HL12VAZ6-3 (V56878)) (OPT HL1012AZ6-3 (V0PTK6)) (OPT HL1012AZ6-3 (V06725)) (OPT HL1012AZ6-3 (V06950)) (OPT HL1012AZ6-3 (V17446)) (OPT HL1012AZ6-3 (V56878)) (OPT HL1012AZ6-3 (V60516)) (OPT HL1012AZ6-3 (V73197))	E,G	3

71-11-32

 ILLUSTRATED PARTS LIST
 01.1 Page 1090W
 Jul 01/03

FIG. & ITEM	PART NO.	AIRLINE PART NUMBER	NOMENCLATURE 1234567	EFF CODE	QTY PER ASSY
10- 276	BACB30FN6A19K		...BOLT	E,G	7
278	HL97DU6		...COLLAR- (V73197) (SPEC BACC30AB6S) (OPT HL97DU6 (V92215)) (OPT HL97DU6 (V56878))	E,G	7
280	315T3127-7		DELETED		
280A	315T3127-12		...INLET ASSY- (OPT ITEM 280B)	E,G	1
-280B	315T3127-13		...INLET ASSY- (OPT ITEM 280A)	E,G	1
R 282	HL11VAZ6-19		...BOLT- (V60516) (SPEC BACB30NW6K19) (OPT B30NW6K19 (V97928)) (OPT HL11VAZ6-19 (V73197)) (OPT HL11VAZ6-19 (V92215)) (OPT HL11VAZ6-19 (V97928)) (OPT L803-6K19 (V06725)) (OPT HL11VAZ6-19 (V0PTK6)) (OPT HL11VAZ6-19 (V56878))	E,G	3

71-11-32

 ILLUSTRATED PARTS LIST
 01.1 Page 1090X
 Jul 01/03


BOEING
 COMPONENT
 MAINTENANCE MANUAL

FIG. & ITEM	PART NO.	AIRLINE PART NUMBER	NOMENCLATURE 1234567	EFF CODE	QTY PER ASSY
10-284	BACW10BN6SP		...WASHER	E,G	3
286	HL79-6		...COLLAR- (V5M902) (SPEC BACC30M6) (OPT HL79-6 (V73197)) (OPT HL79-6 (V92215)) (OPT 66014-6 (V56878)) (OPT HL79-6 (V56878))	E,G	3
288	315T3130-2		...BRACKET ASSY	E,G	1
290	315T3130-12		...BRACKET ASSY	E,G	1
292	BACR15CE3M		...RIVET- (SIZE DETERMINE ON INST)	E,G	4
294	BRM100C3M		...NUTPLATE- (V52828) (SPEC BACN10JP3BCM) (OPT MK2001-3BAC (V15653)) (OPT NS103198SE02 (V80539)) (OPT T8081C1032 (V11815)) (OPT VN201D1-02 (V92215)) (OPT 109A9207M3 (V72962))	E,G	2
296	315T3130-7		...BRACKET- (USED ON ITEM 288)	E,G	1
298	315T3130-11		...BRACKET- (USED ON ITEM 290)	E,G	1
300	315T3202-73		DELETED		

71-11-32

 ILLUSTRATED PARTS LIST
 01.1 Page 1090Y
 Jul 01/03

FIG. & ITEM	PART NO.	AIRLINE PART NUMBER	NOMENCLATURE 1234567	EFF CODE	QTY PER ASSY
10-300A	315T3202-115		..BOX INSTL-COWL REVERSER TORQUE (FOR DETAILS SEE FIG. 11)	E,G	1
-302	315T3202-74		..BOX INSTL-COWL REVERSER TORQUE (FOR DETAILS SEE FIG. 3)	F,H	1
302A	315T3202-116		..BOX INSTL-COWL REVERSER TORQUE (FOR DETAILS SEE FIG. 11)	AC,AD	1
-304	315T3124-6		..DUCT INSTL-EXH	F,H,A	1
R 306	HL11VAZ6-19		...BOLT- (V60516) (SPEC BACB30NW6K19) (OPT B30NW6K19 (V97928)) (OPT HL11VAZ6-19 (V73197)) (OPT HL11VAZ6-19 (V92215)) (OPT HL11VAZ6-19 (V97928)) (OPT L803-6K19 (V06725)) (OPT HL11VAZ6-19 (V0PTK6)) (OPT HL11VAZ6-19 (V56878))	F,H,A C,AD F,H,A C,AD	32
308	BACS40R7B10F		...SHIM	F,H,A C,AD	AR
310 310A	BACC30AB6 HL97DU6		DELETED ...COLLAR- (V73197) (SPEC BACC30AB6S) (OPT HL97DU6 (V92215)) (OPT HL97DU6 (V56878))	F,H,A C,AD	32

71-11-32

 ILLUSTRATED PARTS LIST
 01.1 Page 1090Z
 Jul 01/03


BOEING
 COMPONENT
 MAINTENANCE MANUAL

FIG. & ITEM	PART NO.	AIRLINE PART NUMBER	NOMENCLATURE 1234567	EFF CODE	QTY PER ASSY
10-312	315T3135-1		...GASKET	F,H,A C,AD	4
314	315T3135-2		...GASKET	F,H,A C,AD	2
316	315T3135-3		...GASKET	F,H,A C,AD	2
318	NAS514P1032-8P		...SCREW- (REPLS ITEM 318A)	F,H,A C,AD	16
-318A	NAS514P1032-12P		...SCREW- (REPLD BY ITEM 318)	F,H,A C,AD	16
320	AN960XC10		...WASHER	F,H,A C,AD	16
322	BRH10C3		...NUT- (V52828) (SPEC BACN10JC3C) (OPT T6C1032J (V11815)) (OPT 97-02 (V80539)) (OPT 101LH9075-3W (V72962)) (OPT VN303B02 (V92215)) (OPT NS202101S02 (V80539)) (OPT H31-3BAC (V15653))	F,H,A C,AD	16
324	315T3124-7		...SHIM- (LIMITED) (MFD FROM SH AIAI 301 7.9 X 7.9 X .100 PER MIL-S-5059) (USED WITH ITEMS 318A, 326)	F,H,A C,AD	3

71-11-32

ILLUSTRATED PARTS LIST

01.1

Page 1091

Jul 01/03

FIG. & ITEM	PART NO.	AIRLINE PART NUMBER	NOMENCLATURE 1234567	EFF CODE	QTY PER ASSY
10-326	BOE2040		...SEAL- (REPLD BY ITEM 328) (V16632) (SPEC S332T308-1) (BOE2040-0004 I/W BOE2040 AT SURGE BLEED PORT NO. 1) (BOE2040-0004 I/W BOE2040 TOGETHER WITH 3 EACH 315T3124-7 SHIMS AT SURGE BLEED PORT NO. 2) (BOE2040-0004 I/W BOE2040 TOGETHER WITH 2 EACH 315T3124-7 SHIMS AT SURGE BLEED PORT NO. 4)	F,H,A C,AD	2
-328	BOE2040-0004		...SEAL- (REPLS ITEM 326) (V16632) (SPEC S332T308-4) (BOE2040-0004 I/W BOE2040 AT SURGE BLEED PORT NO. 1) (BOE2040-0004 I/W BOE2040 TOGETHER WITH 3 EACH 315T3124-7 SHIMS AT SURGE BLEED PORT NO. 2) (BOE2040-0004 I/W BOE2040 TOGETHER WITH 2 EACH 315T3124-7 SHIMS AT SURGE BLEED PORT NO. 4)	F,H,A C,AD	2

71-11-32

 ILLUSTRATED PARTS LIST
 01.1 Page 1092
 Jul 01/03

BOEING
 COMPONENT
 MAINTENANCE MANUAL

FIG. & ITEM	PART NO.	AIRLINE PART NUMBER	NOMENCLATURE 1234567	EFF CODE	QTY PER ASSY
R 10-330	HL11VAZ6-4		...BOLT- (V60516) (SPEC BACB30NW6K4) (OPT HL11V6-4 (V92215)) (OPT HL11V6-4 (V97928)) (OPT L803-6-4 (V06725)) (OPT B30NW6K4 (V97928)) (OPT HL11VAZ6-4 (V73197)) (OPT HL11VAZ6-4 (V92215)) (OPT HL11VAZ6-4 (V56878))	F,H,A C,AD	10
R 331	HL11VAZ6-3		...BOLT- (V60516) (SPEC BACB30NW6K3) (OPT B30NW6K3 (V97928)) (OPT HL11VAZ6-3 (V73197)) (OPT HL11VAZ6-3 (V92215)) (OPT HL11VAZ6-3 (V97928)) (OPT L803-6K3 (V06725)) (OPT HL11VAZ6-3 (V0PTK6)) (OPT HL11VAZ6-3 (V56878))	F,H,A C,AD	24

71-11-32

ILLUSTRATED PARTS LIST
 01.1 Page 1092A
 Jul 01/03

FIG. & ITEM	PART NO.	AIRLINE PART NUMBER	NOMENCLATURE 1234567	EFF CODE	QTY PER ASSY
10-332 332A	BACC30AB6 HL97DU6		DELETED ...COLLAR- (V73197) (SPEC BACC30AB6S) (OPT HL97DU6 (V92215)) (OPT HL97DU6 (V56878))	F,H,A C,AD	34
334	315T3123-24		...DUCT ASSY	F,H,A C,AD	1
336	315T3114-20		...DUCT ASSY	F,H,A C,AD	1
338	315T3100-57		..WALL ASSY-INNER DUCT	E,G	1
-340	315T3100-58		..WALL ASSY-INNER DUCT	F,H,A C,AD	1
-342	315T3100-5011		...WALL ASSY	E,G	1
-344	315T3100-5012		...WALL ASSY	F,H,A C,AD	1
346 346A	BACB30LL4-4 BACB30VF4K5		DELETEDBOLT	E-H,A C,AD	2
348	BACR15CE3KE	RIVET- (SIZE DETERMINE ON INST)	E-H,A C,AD	4
350	NS103190-048	NUTPLATE- (V80539) (SPEC BACN10KE4A) (OPT F51750-4-1 (V15653)) (OPT RMF9212-4 (V72962)) (OPT BRFR220A4-1 (V52828))	E-H,A C,AD	2
351	BACB30NW6K	BOLT- (SIZE DETERMINE ON INST)		6
351G	HL79-6	COLLAR- (V5M902) (SPEC BACC30M6) (OPT HL79-6 (V73197)) (OPT HL79-6 (V92215)) (OPT 66014-6 (V56878)) (OPT HL79-6 (V56878))		6

71-11-32

 ILLUSTRATED PARTS LIST
 01.1 Page 1092B
 Jul 01/03


BOEING
 COMPONENT
 MAINTENANCE MANUAL

FIG. & ITEM	PART NO.	AIRLINE PART NUMBER	NOMENCLATURE 1234567	EFF CODE	QTY PER ASSY
10-			DELETED		
352	BACN10KF3	CATCH-COWL		1
352A	315T3554-2	STRIP-RUB	E,G	1
354	315T3100-59		(OPT ITEMS 356, 358)		
356	315T3100-63	STRIP-RUB	E,G	1
			(OPT ITEM 354)		
			(USED WITH ITEM 358)		
358	315T3100-65	STRIP-RUB	E,G	1
			(OPT ITEM 354)		
			(USED WITH ITEM 356)		
-359	315T3100-75	BOND ASSY-RIVET		1
			(USED ON ITEM 342)		
-359G	315T3100-76	BOND ASSY-RIVET		1
			(USED ON ITEM 344)		
-360	315T3100-60	STRIP-RUB	F,H,A	1
			(OPT ITEMS 362, 364)	C,AD	
-362	315T3100-64	STRIP-RUB	F,H,A	1
			(OPT ITEM 360)	C,AD	
			(USED WITH ITEM 364)		
-364	315T3100-66	STRIP-RUB	F,H,A	1
			(OPT ITEM 360)	C,AD	
			(USED WITH ITEM 362)		
365	315T3101-153	PANEL ASSY-ACOUSTIC		1
			(USED ON ITEM 342)		
-365G	315T3101-170	PANEL ASSY-ACOUSTIC		1
			(USED ON ITEM 344)		
366	315T3300-1		..BIFURCATION INSTL-UPR	E,G	1
			(FOR DETAILS SEE FIG. 2)		
-368	315T3300-2		..BIFURCATION INSTL-UPR	F,H,A	1
			(FOR DETAILS SEE FIG. 2)	C,AD	
-380	315T3002-7001		..COLLECTOR-COMMON POINT	E,G	1
-382	315T3002-7002		..COLLECTOR-COMMON POINT	F,H,A	1
				C,AD	
384	BACB30NR4K6		..BOLT	H	42
386	BACB30NR4K6		..BOLT	F	50
388	BACB30NM4K9		..BOLT	E,G,A	36
				C,AD	
390	BACB30NM4K8		..BOLT	E,G,A	54
				C,AD	
392	AN960KD416L		..WASHER	H	42
394	AN960KD416L		..WASHER	F	50
395	AN960KD416		..WASHER	E,G,A	2
				C,AD	
396	AN960KD416L		..WASHER	E,G,A	70
				C,AD	

71-11-32

ILLUSTRATED PARTS LIST

01.1 Page 1092C

Jul 01/03

FIG. & ITEM	PART NO.	AIRLINE PART NUMBER	NOMENCLATURE 1234567	EFF CODE	QTY PER ASSY
10-397	AN960KD416		..WASHER	E,G,A C,AD	54
398	BACB30NR4K8		..BOLT	H	30
400	BACB30NR4K8		..BOLT	F	34
402	BACR15BA3B		..RIVET- (SIZE DETERMINE ON INST)	E-H,A C,AD	108
404	NS202495-048		..NUTPLATE- (V80539) (SPEC BACN10KE4DCD) (OPT F51753-4CD (V15653)) (OPT ITEM 404A)	E-H,A C,AD	54
-404A	NS103193SE048		..NUTPLATE- (V80539) (SPEC BACN10KE4DCM) (OPT F51753-4DL (V15653)) (OPT ITEM 404)	E-H,A C,AD	54
406	315T3305-107		..FAIRING INSTL-SKIN UPR TRACK	E,G	1
-408	315T3305-108		..FAIRING INSTL-SKIN UPR TRACK	F,H,A C,AD	1
410	315T3305-5001		...FAIRING INSTL- (REPLD BY ITEMS 410A, 410B, 410C, 410D)	E,G	1
-410A	315T3305-5003		...FAIRING INSTL- (REPLS ITEM 410) (REPLD BY ITEMS 410B, 410C, 410D)	E,G	1
-410B	315T3305-5005		...FAIRING INSTL- (REPLS ITEMS 410, 410A) (REPLD BY ITEMS 410C, 410D)	E,G	1
-410C	315T3305-5007		...FAIRING INSTL- (REPLS ITEMS 410, 410A, 410B) (REPLD BY ITEM 410D)	E,G	1
-410D	315T3305-5009		...FAIRING INSTL- (REPLS ITEMS 410, 410A, 410B, 410C)	E,G	1

71-11-32

 ILLUSTRATED PARTS LIST
 01.1 Page 1092D
 Jul 01/03


BOEING
 COMPONENT
 MAINTENANCE MANUAL

FIG. & ITEM	PART NO.	AIRLINE PART NUMBER	NOMENCLATURE 1234567	EFF CODE	QTY PER ASSY
10- -412	315T3305-5002		...FAIRING INSTL- (REPLD BY ITEMS 412A, 412B, 412C, 412D)	F,H,A C,AD	1
-412A	315T3305-5004		...FAIRING INSTL- (REPLS ITEM 412) (REPLD BY ITEMS 412B, 412C, 412D)	F,H,A C,AD	1
-412B	315T3305-5006		...FAIRING INSTL- (REPLS ITEMS 412, 412A)	F,H,A C,AD	1
-412C	315T3305-5008		...FAIRING INSTL- (REPLS ITEMS 412, 412A, 412B) (REPLD BY ITEM 412D)	F,H,A C,AD	1
-412D	315T3305-5010		...FAIRING INSTL- (REPLS ITEMS 412, 412A, 412B, 412C)	F,H,A C,AD	1
414	BACB30VF3K5	BOLT	E-H,A C,AD	25
415	BACR15FT5KE	RIVET- (SIZE DETERMINE ON INST) (OPT ITEM 415L)	E-H,A C,AD	2
415L	BACB30MY5K	BOLT- (SIZE DETERMINE ON INST) (OPT ITEM 415)	E-H,A C,AD	2
415S	KFN600-5	NUT- (V56878) (SPEC BACN10XJ5) (OPT KFN600-5S (V15653)) (OPT BH00309-5 (V27238)) (OPT BH00309-5S (V27238)) (OPT KFN600-5 (V15653))	E-H,A C,AD	2
416	315T3305-125	SUPPORT ASSY- (USED ON ITEM 410)	E,G	1
-418	315T3305-126	SUPPORT ASSY- (USED ON ITEM 412)	F,H,A C,AD	1
420	BACR15BA3AD	RIVET- (SIZE DETERMINE ON INST)	E,H,A C,AD	2

71-11-32

ILLUSTRATED PARTS LIST

01.1 Page 1092E

Jul 01/03

FIG. & ITEM	PART NO.	AIRLINE PART NUMBER	NOMENCLATURE 1234567	EFF CODE	QTY PER ASSY
10-422	NS103194SE02-2	NUTPLATE- (V80539) (SPEC BACN10KE3E2CM) (OPT F51751-3-2DL (V15653)) (OPT 104F9216-2-3 (V72962)) (OPT BRFR120C3-2M (V52828))	E-H,A C,AD	1
424	315T3305-115	SUPPORT ASSY- (USED ON ITEMS 410A, 410B)	E,G	1
-426	315T3305-116	SUPPORT ASSY- (USED ON ITEMS 412A, 412B)	F,H,A C,AD	1
428	BACR15BA3AD	RIVET- (SIZE DETERMINE ON INST)	E-H,A C,AD	2
430	NS103194SE02-2	NUTPLATE- (V80539) (SPEC BACN10KE3E2CM) (OPT F51751-3-2DL (V15653)) (OPT 104F9216-2-3 (V72962)) (OPT BRFR120C3-2M (V52828))	E-H,A C,AD	1
431	BACR15FT6KE	RIVET- (SIZE DETERMINE ON INST) (OPT ITEM 431L)	E-H,A C,AD	10
431L	BACB30MY6K	BOLT- (SIZE DETERMINE ON INST) (OPT ITEM 431)	E-H,A C,AD	10
431S	KFN600-6S	NUT- (V15653) (SPEC BACN10XJ6) (OPT BH00309-6 (V27238)) (OPT BH00309-6S (V27238)) (OPT KFN600-6 (V15653)) (OPT KFN600-6 (V56878))	E-H,A C,AD	10

71-11-32

 ILLUSTRATED PARTS LIST
 01.1 Page 1092F
 Jul 01/03


BOEING
 COMPONENT
 MAINTENANCE MANUAL

FIG. & ITEM	PART NO.	AIRLINE PART NUMBER	NOMENCLATURE 1234567	EFF CODE	QTY PER ASSY
10-432	315T3305-79	SUPPORT ASSY	E,G	1
-434	315T3305-80	SUPPORT ASSY	F,H,A C,AD	1
436	BACR15BA3AD	RIVET- (SIZE DETERMINE ON INST)	E-H,A C,AD	2
438	NS103191SE02-2	NUTPLATE- (V80539) (SPEC BACN10KE3B2CM) (OPT F51747-3-2DL (V15653)) (OPT 104F9213-2-3 (V72962)) (OPT 104F9213-2-3 (V72962))	E-H,A C,AD	1
440	315T3305-75	SUPPORT ASSY	E,G	1
-442	315T3305-76	SUPPORT ASSY	F,H,A C,AD	1
444	BACR15BA3AD	RIVET- (SIZE DETERMINE ON INST)	E-H,A C,AD	4
446	NS103191SE02-2	NUTPLATE- (V80539) (SPEC BACN10KE3B2CM) (OPT F51747-3-2DL (V15653)) (OPT 104F9213-2-3 (V72962)) (OPT 104F9213-2-3 (V72962))	E-H,A C,AD	1
448	NS103194SE02-2	NUTPLATE- (V80539) (SPEC BACN10KE3E2CM) (OPT F51751-3-2DL (V15653)) (OPT 104F9216-2-3 (V72962)) (OPT BRFR120C3-2M (V52828))	E-H,A C,AD	1

71-11-32

ILLUSTRATED PARTS LIST

01.1 Page 1092G

Jul 01/03

FIG. & ITEM	PART NO.	AIRLINE PART NUMBER	NOMENCLATURE 1234567	EFF CODE	QTY PER ASSY
10-450	315T3305-71	SUPPORT ASSY	E,G	1
-452	315T3305-72	SUPPORT ASSY	F,H,A C,AD	1
454	BACR15BA3AD	RIVET- (SIZE DETERMINE ON INST)	E-H,A C,AD	4
456	NS103191SE02-2	NUTPLATE- (V80539) (SPEC BACN10KE3B2CM) (OPT F51747-3-2DL (V15653)) (OPT 104F9213-2-3 (V72962)) (OPT 104F9213-2-3 (V72962))	E-H,A C,AD	1
458	NS103194SE02-2	NUTPLATE- (V80539) (SPEC BACN10KE3E2CM) (OPT F51751-3-2DL (V15653)) (OPT 104F9216-2-3 (V72962)) (OPT BRFR120C3-2M (V52828))	E-H,A C,AD	1
460	315T3305-67	SUPPORT ASSY	E,G	1
-462	315T3305-64		DELETED		
-462A	315T3305-68	SUPPORT ASSY	F,H,A C,AD	1
464	BACR15BA3AD	RIVET- (SIZE DETERMINE ON INST)	E-H,A C,AD	4
466	NS103191SE02-2	NUTPLATE- (V80539) (SPEC BACN10KE3B2CM) (OPT F51747-3-2DL (V15653)) (OPT 104F9213-2-3 (V72962)) (OPT 104F9213-2-3 (V72962))	E-H,A C,AD	1

71-11-32

 ILLUSTRATED PARTS LIST
 01.1 Page 1092H
 Jul 01/03


BOEING
 COMPONENT
 MAINTENANCE MANUAL

FIG. & ITEM	PART NO.	AIRLINE PART NUMBER	NOMENCLATURE 1234567	EFF CODE	QTY PER ASSY
10-468	NS103194SE02-2	NUTPLATE- (V80539) (SPEC BACN10KE3E2CM) (OPT F51751-3-2DL (V15653)) (OPT 104F9216-2-3 (V72962)) (OPT BRFR120C3-2M (V52828))	E-H,A C,AD	1
470	315T3305-63	SUPPORT ASSY	E,G	1
-472	315T3305-64	SUPPORT ASSY	F,H,A C,AD	1
474	BACR15BA3AD	RIVET- (SIZE DETERMINE ON INST)	E-H,A C,AD	4
476	NS103191SE02-2	NUTPLATE- (V80539) (SPEC BACN10KE3B2CM) (OPT F51747-3-2DL (V15653)) (OPT 104F9213-2-3 (V72962)) (OPT 104F9213-2-3 (V72962))	E-H,A C,AD	1
478	NS103194SE02-2	NUTPLATE- (V80539) (SPEC BACN10KE3E2CM) (OPT F51751-3-2DL (V15653)) (OPT 104F9216-2-3 (V72962)) (OPT BRFR120C3-2M (V52828))	E-H,A C,AD	1

71-11-32

ILLUSTRATED PARTS LIST

01.1 Page 1092I

Jul 01/03

FIG. & ITEM	PART NO.	AIRLINE PART NUMBER	NOMENCLATURE 1234567	EFF CODE	QTY PER ASSY
10-480	315T3305-59	SUPPORT ASSY	E,G	1
-482	315T3305-60	SUPPORT ASSY	F,H,A C,AD	1
484	BACR15BA3AD	RIVET- (SIZE DETERMINE ON INST)	E-H,A C,AD	4
486	NS103191SE02-2	NUTPLATE- (V80539) (SPEC BACN10KE3B2CM) (OPT F51747-3-2DL (V15653)) (OPT 104F9213-2-3 (V72962)) (OPT 104F9213-2-3 (V72962))	E-H,A C,AD	1
488	NS103194SE02-2	NUTPLATE- (V80539) (SPEC BACN10KE3E2CM) (OPT F51751-3-2DL (V15653)) (OPT 104F9216-2-3 (V72962)) (OPT BRFR120C3-2M (V52828))	E-H,A C,AD	1
490	315T3307-23		..FAIRING INSTL-UPR BIFURCATION TRACK	E,G	1
-492	315T3307-24		..FAIRING INSTL-UPR BIFURCATION TRACK	F,H,A C,AD	1
494	315T3307-5001		...FAIRING INSTL-(REWORK) (REPLD BY ITEMS 494A, 494B)	E,G	1
-494A	315T3307-5003		...FAIRING INSTL- (REPLS ITEM 494) (REPLD BY ITEM 494B)	E,G	1
-494B	315T3307-5005		...FAIRING INSTL- (REPLS ITEMS 494, 494A)	E,G	1

71-11-32

 ILLUSTRATED PARTS LIST
 01.1 Page 1092J
 Jul 01/03


BOEING
 COMPONENT
 MAINTENANCE MANUAL

FIG. & ITEM	PART NO.	AIRLINE PART NUMBER	NOMENCLATURE 1234567	EFF CODE	QTY PER ASSY
10-496	315T3307-5002		...FAIRING INSTL-(REWORK) (REPLD BY ITEMS 496A, 496B)	F,H,A C,AD	1
-496A	315T3307-5004		...FAIRING INSTL- (REPLS ITEM 496) (REPLD BY ITEM 496B)	F,H,A C,AD	1
-496B	315T3307-5006		...FAIRING INSTL- (REPLS ITEMS 496, 496A)	F,H,A C,AD	1
498	BACR15BA3AD	RIVET- (SIZE DETERMINE ON INST) (USED ON ITEMS 494, 496)	E,H,A C,AD	2
500	BRF100C3D	NUTPLATE- (V52828) (SPEC BACN10KB3CFD) (OPT F51604-3 (V15653)) (OPT 102F9207P3 (V72962)) (OPT F51604-3 (V15653)) (USED ON ITEMS 494, 496)	E-H,A C,AD	1
502	BACS40R07D011F	SHIM	E-H,A C,AD	1
504	315T3307-25	FAIRING ASSY- (USED ON ITEM 494)	E,G	1
-504A	315T3307-43	FAIRING ASSY- (USED ON ITEM 494A)	E,G	1
-504B	315T3307-49	FAIRING ASSY- (USED ON ITEM 494B)	E,G	1
-506	315T3307-26	FAIRING ASSY- (USED ON ITEM 496)	F,H,A C,AD	1
-506A	315T3307-44	FAIRING ASSY- (USED ON ITEM 496A)	F,H,A C,AD	1
-506B	315T3307-50	FAIRING ASSY- (USED ON ITEM 496B)	F,H,A C,AD	1
508	BACB30LR2-3	BOLT	E-H,A C,AD	1
510	BACB30LR2-2	BOLT- (OPT ITEM 510A)	E-H,A C,AD	10

71-11-32

 ILLUSTRATED PARTS LIST
 01.1 Page 1092K
 Jul 01/03

FIG. & ITEM	PART NO.	AIRLINE PART NUMBER	NOMENCLATURE 1234567	EFF CODE	QTY PER ASSY
10-510A	BACB30LH2-2	BOLT- (OPT ITEM 510)	E-H,A C,AD	10
512	BACR15CE5KE	RIVET- (SIZE DETERMINE ON INST)	E-H,A C,AD	7
514	315T3307-38	STRIP-RUB	E-H,A C,AD	1
516	BACR15BA3AD	RIVET- (SIZE DETERMINE ON INST)	E-H,A C,AD	48
518	BACR15BA3AD	RIVET- (SIZE DETERMINE ON INST) (USED ON ITEMS 504A, 506A)	E-H,A C,AD	2
520	BR2000C3M	NUTPLATE- (V52828) (SPEC BACN10JR3CM) (OPT K1001-3BAC (V15653)) (OPT NS103202SE02 (V80539)) (OPT T8089C1032 (V11815)) (OPT VN102D1-02 (V92215)) (OPT 109A9201-3 (V72962))	E-H,A C,AD	1
522	NS103191SE02-3	NUTPLATE- (V80539) (SPEC BACN10KE3B3CM) (OPT F51747-3-3DL (V15653)) (OPT BRFR220C3-3M (V52828)) (OPT 104F9213-3-3 (V72962))	E-H,A C,AD	12

71-11-32

 ILLUSTRATED PARTS LIST
 01.1 Page 1092L
 Jul 01/03

BOEING
 COMPONENT
 MAINTENANCE MANUAL

FIG. & ITEM	PART NO.	AIRLINE PART NUMBER	NOMENCLATURE	EFF CODE	QTY PER ASSY
			1234567		
10-524	109F9201M82	NUTPLATE- (V72962) (SPEC BACN10JN08CM) (OPT BRFM20C08M (V52828)) (OPT MF1001-08BAC (V15653)) (OPT NS103218SE82 (V80539)) (OPT VN252D82 (V92215)) (OPT 109F9201M82 (V72962)) (OPT T8125C08C (V11815))	E-H,A C,AD	11
526	BRF100C3D	NUTPLATE- (V52828) (SPEC BACN10KB3CFD) (OPT F51604-3 (V15653)) (OPT 102F9207P3 (V72962)) (OPT F51604-3 (V15653)) (USED ON ITEMS 504A, 506A)	E-H,A C,AD	1
R 528	HL11VAZ8-12		..BOLT- (V60516) (SPEC BACB30NW8K12) (OPT B30NW8K12 (V97928)) (OPT HL11VAZ8-12 (V73197)) (OPT HL11VAZ8-12 (V92215)) (OPT HL11VAZ8-12 (V97928)) (OPT L803-8K12 (V06725)) (OPT HL11VAZ8-12 (VOPTK6)) (OPT HL11VAZ8-12 (V56878))	E-H,A C,AD	6

71-11-32

ILLUSTRATED PARTS LIST
 01.1 Page 1092M
 Jul 01/03

FIG. & ITEM	PART NO.	AIRLINE PART NUMBER	NOMENCLATURE 1234567	EFF CODE	QTY PER ASSY
10-530	HL79-8		..COLLAR- (V5M902) (SPEC BACC30M8) (OPT HL79-8 (V73197)) (OPT HL79-8 (V92215)) (OPT 66014-8 (V56878)) (OPT HL79-8 (V56878))	E-H,A C,AD	6
532	BACS40R11B61F		..SHIM	E-H,A C,AD	AR
534	315T3300-1		DELETED		
-536	315T3300-2		DELETED		
538	NAS623-3-21		..SCREW	E,G	1
-540	NAS623-3-20		..SCREW	F,H,A C,AD	1
542	BRH10C3M		..NUT- (V52828) (SPEC BACN10JC3CM) (OPT T6C1032JM (V11815)) (OPT 97E02 (V80539)) (OPT 109LH9075-3W (V72962)) (OPT VN303D02 (V92215)) (OPT NS202101SE02 (V80539)) (OPT H01-3BAC (V15653))	E-H,A C,AD	1

71-11-32

ILLUSTRATED PARTS LIST

01.1 Page 1092N

Jul 01/03

BOEING
 COMPONENT
 MAINTENANCE MANUAL

FIG. & ITEM	PART NO.	AIRLINE PART NUMBER	NOMENCLATURE 1234567	EFF CODE	QTY PER ASSY
10-544	NAS623-3-20		..SCREW	E-H,A C,AD	1
546	AN960PD10		..WASHER	E-H,A C,AD	2
547	BRH10C3M		..NUT- (V52828) (SPEC BACN10JC3CM) (OPT T6C1032JM (V11815)) (OPT 97E02 (V80539)) (OPT 109LH9075-3W (V72962)) (OPT VN303D02 (V92215)) (OPT NS202101SE02 (V80539)) (OPT H01-3BAC (V15653))	E-H,A C,AD	1
548	HL13VAZ6-19		..BOLT- (V56878) (SPEC BACB30NY6K19) (OPT HL13VAZ6-19 (V73197)) (OPT HL13VAZ6-19 (V92215)) (OPT HL13VAZ6-19 (V97928)) (OPT L801-6K19 (V06725)) (OPT HL13VAZ6-19 (V08524)) (OPT HL13V19 (V06725)) (OPT HL13VAZ6-19 (V17446))	E,G	1

71-11-32

ILLUSTRATED PARTS LIST
 01.1 Page 10920
 Jul 01/03

FIG. & ITEM	PART NO.	AIRLINE PART NUMBER	NOMENCLATURE 1234567	EFF CODE	QTY PER ASSY
10-550	HL13VAZ6-18		..BOLT- (V56878) (SPEC BACB30NY6K18) (OPT HL13VAZ6-18 (V73197)) (OPT HL13VAZ6-18 (V92215)) (OPT HL13VAZ6-18 (V97928)) (OPT L801-6K18 (V06725)) (OPT HL13VAZ6-18 (V08524)) (OPT HL13V18 (V06725)) (OPT HL13VAZ6-18 (V17446))	F,H,A C,AD	1
552	HL13VAZ6-18		..BOLT- (V56878) (SPEC BACB30NY6K18) (OPT HL13VAZ6-18 (V73197)) (OPT HL13VAZ6-18 (V92215)) (OPT HL13VAZ6-18 (V97928)) (OPT L801-6K18 (V06725)) (OPT HL13VAZ6-18 (V08524)) (OPT HL13V18 (V06725)) (OPT HL13VAZ6-18 (V17446))	E-H,A C,AD	2
554	HL79-6		..COLLAR- (V5M902) (SPEC BACC30M6) (OPT HL79-6 (V73197)) (OPT HL79-6 (V92215)) (OPT 66014-6 (V56878)) (OPT HL79-6 (V56878))	E-H,A C,AD	3

71-11-32

ILLUSTRATED PARTS LIST

01.1 Page 1092P

Jul 01/03


BOEING
 COMPONENT
 MAINTENANCE MANUAL

FIG. & ITEM	PART NO.	AIRLINE PART NUMBER	NOMENCLATURE 1234567	EFF CODE	QTY PER ASSY
10-556	HL10VAZ6-19		..BOLT- (V60516) (SPEC BACB30MY6K19) (OPT B30MY6K19 (V97928))	E-H,A C,AD	14
558	HL10VAZ6-18		..BOLT- (V60516) (SPEC BACB30MY6K18) (OPT B30MY6K18 (V97928))	E-H,A C,AD	9
560	HL10VAZ6-17		..BOLT- (V60516) (SPEC BACB30MY6K17) (OPT B30MY6K17 (V97928))	E-H,A C,AD	6
562	HL10VAZ6-16		..BOLT- (V60516) (SPEC BACB30MY6K16) (OPT B30MY6K16 (V97928))	E-H,A C,AD	5
564	L8006-15		..BOLT- (V06725) (SPEC BACB30MY6K15) (OPT HL10VAZ6-15 (VOPTK6))	E-H,A C,AD	4
566	HL10VAZ6-14		..BOLT- (V60516) (SPEC BACB30MY6K14) (OPT B30MY6K14 (V97928))	E-H,A C,AD	2

71-11-32

 ILLUSTRATED PARTS LIST
 01.1 Page 1092Q
 Jul 01/03

FIG. & ITEM	PART NO.	AIRLINE PART NUMBER	NOMENCLATURE 1234567	EFF CODE	QTY PER ASSY
R 10-568	HL11VAZ6-13		..BOLT- (V60516) (SPEC BACB30NW6K13) (OPT B30NW6K13 (V97928)) (OPT HL11VAZ6-13 (V73197)) (OPT HL11VAZ6-13 (V92215)) (OPT HL11VAZ6-13 (V97928)) (OPT L803-6K13 (V06725)) (OPT HL11VAZ6-13 (V0PTK6)) (OPT HL11VAZ6-13 (V56878))	E-H,A C,AD	2
R 570	HL11VAZ6-12		..BOLT- (V60516) (SPEC BACB30NW6K12) (OPT B30NW6K12 (V97928)) (OPT HL11VAZ6-12 (V73197)) (OPT HL11VAZ6-12 (V92215)) (OPT HL11VAZ6-12 (V97928)) (OPT L803-6K12 (V06725)) (OPT HL11VAZ6-12 (V0PTK6)) (OPT HL11VAZ6-12 (V56878))	E-H,A C,AD	2

71-11-32

 ILLUSTRATED PARTS LIST
 01.1 Page 1092R
 Jul 01/03


BOEING
 COMPONENT
 MAINTENANCE MANUAL

FIG. & ITEM	PART NO.	AIRLINE PART NUMBER	NOMENCLATURE 1234567	EFF CODE	QTY PER ASSY
10-572	HL79-6		..COLLAR- (V5M902) (SPEC BACC30M6) (OPT HL79-6 (V73197)) (OPT HL79-6 (V92215)) (OPT 66014-6 (V56878)) (OPT HL79-6 (V56878))	E-H,A C,AD	16
574	HL82-6APBW		..COLLAR- (V5M902) (SPEC BACC30AG6) (OPT HL82-6APBW (V92215)) (OPT HL82-6APBW (V56878)) (OPT HL82-6APBW (V73197))	E-H,A C,AD	28

71-11-32

ILLUSTRATED PARTS LIST

01.1 Page 1092S

Jul 01/03

FIG. & ITEM	PART NO.	AIRLINE PART NUMBER	NOMENCLATURE 1234567	EFF CODE	QTY PER ASSY
10-576	HL1012AZ6-19		..BOLT- (V97928) (SPEC BACB30NX6K19) (OPT HL12VAZ6-19 (V73197)) (OPT HL12VAZ6-19 (V92215)) (OPT HL12VAZ6-19 (V97928)) (OPT L802-6K19 (V06725)) (OPT HL12VAZ6-19 (V56878)) (OPT HL1012AZ6-19 (V0PTK6)) (OPT HL1012AZ6-19 (V06725)) (OPT HL1012AZ6-19 (V06950)) (OPT HL1012AZ6-19 (V17446)) (OPT HL1012AZ6-19 (V56878)) (OPT HL1012AZ6-19 (V60516)) (OPT HL1012AZ6-19 (V73197))	E-H,A C,AD	7

71-11-32

 ILLUSTRATED PARTS LIST
 01.1 Page 1092T
 Jul 01/03


BOEING
 COMPONENT
 MAINTENANCE MANUAL

FIG. & ITEM	PART NO.	AIRLINE PART NUMBER	NOMENCLATURE 1234567	EFF CODE	QTY PER ASSY
10-578	HL1012AZ6-13		..BOLT- (V97928) (SPEC BACB30NX6K13) (OPT HL12VAZ6-13 (V73197)) (OPT HL12VAZ6-13 (V92215)) (OPT HL12VAZ6-13 (V97928)) (OPT L802-6K13 (V06725)) (OPT HL1012AZ6-13 (V0PTK6)) (OPT HL1012AZ6-13 (V06725)) (OPT HL1012AZ6-13 (V06950)) (OPT HL1012AZ6-13 (V17446)) (OPT HL1012AZ6-13 (V56878)) (OPT HL1012AZ6-13 (V60516)) (OPT HL1012AZ6-13 (V73197)) (OPT HL12VAZ6-13 (V56878))	E-H,A C,AD	2
580	HL1187DUW6		..COLLAR- (V5M902) (SPEC BACC30X6SW) (OPT HL87DUW6 (V73197)) (OPT HL87DUW6 (V92215)) (OPT HL1187DUW6 (V56878)) (OPT HL1187DUW6 (V92215)) (OPT HL87DUW6 (V56878)) (OPT HL1187DUW6 (V73197))	E-H,A C,AD	9

71-11-32

ILLUSTRATED PARTS LIST

01.1 Page 1092U

Jul 01/03

FIG. & ITEM	PART NO.	AIRLINE PART NUMBER	NOMENCLATURE 1234567	EFF CODE	QTY PER ASSY
10-582	HL1012AZ8-19		..BOLT- (V97928) (SPEC BACB30NX8K19) (OPT HL12VAZ8-19 (V73197)) (OPT HL12VAZ8-19 (V92215)) (OPT HL12VAZ8-19 (V97928)) (OPT L802-8K19 (V06725)) (OPT HL12VAZ8-19 (V56878)) (OPT HL1012AZ8-19 (V73197)) (OPT HL1012AZ8-19 (V60516)) (OPT HL1012AZ8-19 (V56878)) (OPT HL1012AZ8-19 (V17446)) (OPT HL1012AZ8-19 (V06950)) (OPT HL1012AZ8-19 (V06725)) (OPT HL1012AZ8-19 (V0PTK6))	E-H,A C,AD	4
584	HL1187DUW8		..COLLAR- (V5M902) (SPEC BACC30X8SW) (OPT HL87DUW8 (V73197)) (OPT HL87DUW8 (V92215)) (OPT HL1187DUW8 (V56878)) (OPT HL1187DUW8 (V92215)) (OPT HL87DUW8 (V56878)) (OPT HL1187DUW8 (V73197))	E-H,A C,AD	4

71-11-32

ILLUSTRATED PARTS LIST

01.1 Page 1092V

Jul 01/03


BOEING
 COMPONENT
 MAINTENANCE MANUAL

FIG. & ITEM	PART NO.	AIRLINE PART NUMBER	NOMENCLATURE 1234567	EFF CODE	QTY PER ASSY
10-586	HL10VAZ5-22		..BOLT- (V60516) (SPEC BACB30MY5K22) (OPT B30MY5K22 (V97928))	E-H,A C,AD	2
588	HL10VAZ5-21		..BOLT- (V60516) (SPEC BACB30MY5K21) (OPT B30MY5K21 (V97928))	E-H,A C,AD	1
590	HL10VAZ5-18		..BOLT- (V60516) (SPEC BACB30MY5K18) (OPT B30MY5K18 (V97928))	E-H,A C,AD	21
592	HL10VAZ5-17		..BOLT- (V60516) (SPEC BACB30MY5K17) (OPT B30MY5K17 (V97928))	E-H,A C,AD	17
594	HL10VAZ5-16		..BOLT- (V60516) (SPEC BACB30MY5K16) (OPT B30MY5K16 (V97928))	E-H,A C,AD	1
596	HL10VAZ5-15		..BOLT- (V60516) (SPEC BACB30MY5K15) (OPT B30MY5K15 (V97928))	E-H,A C,AD	2

71-11-32

ILLUSTRATED PARTS LIST

01.1 Page 1092W

Jul 01/03

FIG. & ITEM	PART NO.	AIRLINE PART NUMBER	NOMENCLATURE 1234567	EFF CODE	QTY PER ASSY
10-598	HL10VAZ5-14		..BOLT- (V60516) (SPEC BACB30MY5K14) (OPT B30MY5K14 (V97928))	E-H,A C,AD	2
600	HL10VAZ5-13		..BOLT- (V60516) (SPEC BACB30MY5K13) (OPT B30MY5K13 (V97928))	E-H,A C,AD	2
602	HL10VAZ5-12		..BOLT- (V60516) (SPEC BACB30MY5K12) (OPT B30MY5K12 (V97928))	E-H,A C,AD	2
604	HL10VAZ5-11		..BOLT- (V60516) (SPEC BACB30MY5K11) (OPT B30MY5K11 (V97928))	E-H,A C,AD	2
606	HL10VAZ5-10		..BOLT- (V60516) (SPEC BACB30MY5K10) (OPT B30MY5K10 (V97928))	E-H,A C,AD	1
608	HL10VAZ5-5		..BOLT- (V60516) (SPEC BACB30MY5K5) (OPT B30MY5K5 (V97928))	E-H,A C,AD	1

71-11-32

 ILLUSTRATED PARTS LIST
 01.1 Page 1092X
 Jul 01/03


BOEING
 COMPONENT
 MAINTENANCE MANUAL

FIG. & ITEM	PART NO.	AIRLINE PART NUMBER	NOMENCLATURE 1234567	EFF CODE	QTY PER ASSY
10-610	HL10VAZ5-3		..BOLT- (V60516) (SPEC BACB30MY5K3) (OPT B30MY5K3 (V97928))	E-H,A C,AD	5
612	HL10VAZ5-2		..BOLT- (V60516) (SPEC BACB30MY5K2) (OPT B30MY5K2 (V97928))	E-H,A C,AD	4
614	HL79-5		..COLLAR- (V5M902) (SPEC BACC30M5) (OPT HL70-5 (V73197)) (OPT HL70-5 (V92215)) (OPT 66014-5 (V56878)) (OPT HL70-5 (V56878))	E-H,A C,AD	49
616	HL82-5APBW		..COLLAR- (V73197) (SPEC BACC30AG5) (OPT HL82-5APBW (V56878))	E-H,A C,AD	14
618	NAS1398CW6-3		..RIVET	E-H,A C,AD	1
620	NAS1398CW5-3		..RIVET	E-H,A C,AD	1
622	BACR15CE6KE		..RIVET- (SIZE DETERMINE ON INST)	E-H,A C,AD	1
624	BACR15CE5KE		..RIVET- (SIZE DETERMINE ON INST)	E-H,A C,AD	1
626	315T3007-3		..FAIRING-FILLET	E,G	1

71-11-32

ILLUSTRATED PARTS LIST

01.1 Page 1092Y

Jul 01/03

FIG. & ITEM	PART NO.	AIRLINE PART NUMBER	NOMENCLATURE 1234567	EFF CODE	QTY PER ASSY
10-628	HL1012AZ6-14		..BOLT- (V97928) (SPEC BACB30NX6K14) (OPT HL12VAZ6-14 (V73197)) (OPT HL12VAZ6-14 (V92215)) (OPT HL12VAZ6-14 (V97928)) (OPT L802-6K14 (V06725)) (OPT HL1012AZ6-14 (V0PTK6)) (OPT HL1012AZ6-14 (V06725)) (OPT HL1012AZ6-14 (V06950)) (OPT HL1012AZ6-14 (V17446)) (OPT HL1012AZ6-14 (V56878)) (OPT HL1012AZ6-14 (V60516)) (OPT HL1012AZ6-14 (V73197)) (OPT HL12VAZ6-14 (V56878))	E-H,A C,AD	1

71-11-32

 ILLUSTRATED PARTS LIST
 01.1 Page 1092Z
 Jul 01/03


BOEING
 COMPONENT
 MAINTENANCE MANUAL

FIG. & ITEM	PART NO.	AIRLINE PART NUMBER	NOMENCLATURE 1234567	EFF CODE	QTY PER ASSY
10-630	HL1012AZ6-13		..BOLT- (V97928) (SPEC BACB30NX6K13) (OPT HL12VAZ6-13 (V73197)) (OPT HL12VAZ6-13 (V92215)) (OPT HL12VAZ6-13 (V97928)) (OPT L802-6K13 (V06725)) (OPT HL1012AZ6-13 (V0PTK6)) (OPT HL1012AZ6-13 (V06725)) (OPT HL1012AZ6-13 (V06950)) (OPT HL1012AZ6-13 (V17446)) (OPT HL1012AZ6-13 (V56878)) (OPT HL1012AZ6-13 (V60516)) (OPT HL1012AZ6-13 (V73197)) (OPT HL12VAZ6-13 (V56878))	E-H,A C,AD	2
632	HL82-6APBW		..COLLAR- (V5M902) (SPEC BACC30AG6) (OPT HL82-6APBW (V92215)) (OPT HL82-6APBW (V56878)) (OPT HL82-6APBW (V73197))	E-H,A C,AD	3
634	315T3318-133		..SEAL INSTL-UPR BIFURCATION	E,G	1
-636	315T3318-5007		...SEAL INSTL- (LIMITED) (FOR DETAILS SEE FIG. 7)	E,G	1
-636A	315T3318-5009		...SEAL INSTL- (LIMITED) (FOR DETAILS SEE FIG. 7)	E,G	1

71-11-32

ILLUSTRATED PARTS LIST

01.1

Page 1093

Jul 01/03

FIG. & ITEM	PART NO.	AIRLINE PART NUMBER	NOMENCLATURE 1234567	EFF CODE	QTY PER ASSY
10- -636B	315T3318-5011		...SEAL INSTL- (LIMITED) (FOR DETAILS SEE FIG. 7)	E,G	1
-636C	315T3318-5013		...SEAL INSTL- (LIMITED) (FOR DETAILS SEE FIG. 7)	E,G	1
-636D	315T3318-5015		...SEAL INSTL- (LIMITED) (FOR DETAILS SEE FIG. 7)	E,G	1
-638	315T3318-134		..SEAL INSTL-UPR BIFURCATION	F,H,A C,AD	1
-640	315T3318-5008		..SEAL INSTL- (LIMITED) (FOR DETAILS SEE FIG. 7)	F,H,A C,AD	1
-640A	315T3318-5010		..SEAL INSTL- (LIMITED) (FOR DETAILS SEE FIG. 7)	F,H,A C,AD	1
-640B	315T3318-5014		..SEAL INSTL- (LIMITED) (FOR DETAILS SEE FIG. 7)	F,H,A C,AD	1
-642	332T3074-1		..TUBE INSTL-DRAIN	F,H,A C,AD	1
644	HL10VAZ6-24		...BOLT- (V60516) (SPEC BACB30MY6K24) (OPT B30MY6K24 (V97928))	F,H,A C,AD	1
646	BACW10BN3SP		...WASHER	F,H,A C,AD	1
648	BRH10C3M		...NUT- (V52828) (SPEC BACN10JC3CM) (OPT T6C1032JM (V11815)) (OPT 97E02 (V80539)) (OPT 109LH9075-3W (V72962)) (OPT VN303D02 (V92215)) (OPT NS202101SE02 (V80539)) (OPT H01-3BAC (V15653))	F,H,A C,AD	1

71-11-32

 ILLUSTRATED PARTS LIST
 01.1 Page 1094
 Jul 01/03


BOEING
 COMPONENT
 MAINTENANCE MANUAL

FIG. & ITEM	PART NO.	AIRLINE PART NUMBER	NOMENCLATURE 1234567	EFF CODE	QTY PER ASSY
10-650	JM44LC13WS6R		...CLAMP- (V22175) (SPEC BACC10GE6) (OPT S369WH6 (V18076)) (OPT TA12C32WS6 (V84971)) (OPT 509S6 (V83930))	F,H,A C,AD	1
652	NAS42DD6-19		...SPACER	F,H,A C,AD	1
654	S258T16		...CLAMP- (V18076) (SPEC BACC10DW16S) (OPT TA4C44S16T (V84971)) (OPT 475CS16 (V83930)) (OPT 8084C16T (V72285))	F,H,A C,AD	1
656	BACS12CK3-24		...BOLT	F,H,A C,AD	2
658	BACW10BN3SP		...WASHER	F,H,A C,AD	2
660	BACS18AN16		...SPACER- (V07073) (SPEC BACS18AN16) (OPT BACS18AN16 (V15805)) (OPT BACS18AN16 (V99648))	F,H,A C,AD	1

71-11-32

ILLUSTRATED PARTS LIST

01.1 Page 1094A

Jul 01/03

FIG. & ITEM	PART NO.	AIRLINE PART NUMBER	NOMENCLATURE 1234567	EFF CODE	QTY PER ASSY
10-662	BRH10C3M		...NUT- (V52828) (SPEC BACN10JC3CM) (OPT T6C1032JM (V11815)) (OPT 97E02 (V80539)) (OPT 109LH9075-3W (V72962)) (OPT VN303D02 (V92215)) (OPT NS202101SE02 (V80539)) (OPT H01-3BAC (V15653))	F,H,A C,AD	2
664	JM44SC17S16R		...CLAMP- (V22175) (SPEC BACC10GF16H) (OPT S386H16 (V18076)) (OPT TA12C34S16 (V84971)) (OPT 512S16 (V83930))	F,H,A C,AD	1
666	BACS12CK3-8		...SCREW	F,H,A C,AD	4
668	BACW10BN3SP		...WASHER	F,H,A C,AD	1
670	AN960C10L		...WASHER	F,H,A C,AD	3

71-11-32

ILLUSTRATED PARTS LIST

01.1 Page 1094B

Jul 01/03


BOEING
 COMPONENT
 MAINTENANCE MANUAL

FIG. & ITEM	PART NO.	AIRLINE PART NUMBER	NOMENCLATURE 1234567	EFF CODE	QTY PER ASSY
10-672	BRH10C3M		...NUT- (V52828) (SPEC BACN10JC3CM) (OPT T6C1032JM (V11815)) (OPT 97E02 (V80539)) (OPT 109LH9075-3W (V72962)) (OPT VN303D02 (V92215)) (OPT NS202101SE02 (V80539)) (OPT H01-3BAC (V15653))	F, H, A C, AD	4

71-11-32

ILLUSTRATED PARTS LIST

01.1 Page 1094C

Jul 01/03

FIG. & ITEM	PART NO.	AIRLINE PART NUMBER	NOMENCLATURE 1234567	EFF CODE	QTY PER ASSY
10-674	NAS514P1032-8P		...SCREW	F,H,A C,AD	5
676	NAS620C10L		...WASHER	F,H,A C,AD	5
678	CR59083		...NUT- (V62554) (SPEC BACN10HR3CS) (OPT H39953-3 (V15653)) (OPT SL7059C1032 (V11815)) (OPT 109LH9031-3 (V72962)) (OPT 67832AS1032 (V56878)) (OPT BMN5024CPD3-3 (V08524)) (OPT BH00303-3 (V27238)) (OPT BMN10HRCPD3-3 (V97928)) (OPT BH003033 (V27238)) (OPT BMN5024CPD33 (V97928)) (OPT SL705093 (V11815)) (OPT 109LH90313 (V72962)) (OPT 67832AS3 (V56878))	F,H,A C,AD	5
680	D4848-1		...SEAL- (V75345) (SPEC 60B90602-1)	F,H,A C,AD	1

71-11-32

 ILLUSTRATED PARTS LIST
 01.1 Page 1094D
 Jul 01/03


BOEING
 COMPONENT
 MAINTENANCE MANUAL

FIG. & ITEM	PART NO.	AIRLINE PART NUMBER	NOMENCLATURE 1234567	EFF CODE	QTY PER ASSY
10-682	AP1008-06JL		...CAP- (V01673) (SPEC BACC14AD06JL) (OPT DBOC14AD6JL (V14798)) (OPT FER22661-06JL (V14397)) (OPT 2-02813-04JL (V11328)) (OPT 4690009-06JL (V50948)) (OPT AFP241-06JL (V30974)) (OPT US2103-06JL (V50808))	F,H,A C,AD	1
684	332T3071-22		...TUBE ASSY	F,H,A C,AD	1
686	NAS1398CW5-3		..RIVET	E-H,A C,AD	1
688	NAS1398CW5-2		..RIVET	E-H,A C,AD	1
690	BACR15FT5KE5		..RIVET	E-H,A C,AD	2
692	BACR15FT5KE2		..RIVET	E-H,A C,AD	23
694	BACR15CE6KE		..RIVET- (SIZE DETERMINE ON INST)	E-H,A C,AD	1
696	BACR15CE5KE		..RIVET- (SIZE DETERMINE ON INST)	E-H,A C,AD	1
698	BACR15BB5AD3		..RIVET	E-H,A C,AD	1
700	HL10VAZ5-17		..BOLT- (V60516) (SPEC BACB30MY5K17) (OPT B30MY5K17 (V97928))	E-H,A C,AD	26

71-11-32

ILLUSTRATED PARTS LIST

01.1 Page 1094E

Jul 01/03

FIG. & ITEM	PART NO.	AIRLINE PART NUMBER	NOMENCLATURE 1234567	EFF CODE	QTY PER ASSY
10-702	HL10VAZ5-4		..BOLT- (V60516) (SPEC BACB30MY5K4) (OPT B30MY5K4 (V97928))	E-H,A C,AD	3
704	HL10VAZ5-3		..BOLT- (V60516) (SPEC BACB30MY5K3) (OPT B30MY5K3 (V97928))	E-H,A C,AD	3
706	HL79-5		..COLLAR- (V5M902) (SPEC BACC30M5) (OPT HL70-5 (V73197)) (OPT HL70-5 (V92215)) (OPT 66014-5 (V56878)) (OPT HL70-5 (V56878))	E-H,A C,AD	30
707	BRH10C08M		..NUT- (V52828) (SPEC BACN10JC08CM) (OPT T6C832JM (V11815)) (OPT 97E82 (V80539)) (OPT 109LH9075-82W (V72962)) (OPT VN303D82 (V92215)) (OPT NS202101SE82 (V80539)) (OPT H01-08BAC (V15653))	E-H,A C,AD	2

71-11-32

 ILLUSTRATED PARTS LIST
 01.1 Page 1094F
 Jul 01/03


BOEING
 COMPONENT
 MAINTENANCE MANUAL

FIG. & ITEM	PART NO.	AIRLINE PART NUMBER	NOMENCLATURE 1234567	EFF CODE	QTY PER ASSY
10-708	HL10VAZ6-20		..BOLT- (V60516) (SPEC BACB30MY6K20) (OPT B30MY6K20 (V97928))	E-H,A C,AD	2
710	HL79-6		..COLLAR- (V5M902) (SPEC BACC30M6) (OPT HL79-6 (V73197)) (OPT HL79-6 (V92215)) (OPT 66014-6 (V56878)) (OPT HL79-6 (V56878))	E-H,A C,AD	2
712	2ASPPFDT6-18		..COLLAR- (V17446)	E-H,A C,AD	6
714	ASPFSDT6		..SLEEVE- (V17446)	E-H,A C,AD	6
716	ASPLC2AC6		..COLLAR- (V17446)	E-H,A C,AD	6
718	315T3008-1		..FAIRING-FILLET	E,G	1
-720	315T3008-2		..FAIRING-FILLET	F,H,A C,AD	1
722	NAS1398CW5-3		..RIVET	E-H,A C,AD	1
724	BACR15BB5AD3		..RIVET	E-H,A C,AD	1
726	BACR15CE6KE		..RIVET- (SIZE DETERMINE ON INST)	E-H,A C,AD	8
728	HL10VAZ6-21		..BOLT- (V60516) (SPEC BACB30MY6K21) (OPT B30MY6K21 (V97928))	E-H,A C,AD	1

71-11-32

 ILLUSTRATED PARTS LIST
 01.1 Page 1094G
 Jul 01/03

FIG. & ITEM	PART NO.	AIRLINE PART NUMBER	NOMENCLATURE 1234567	EFF CODE	QTY PER ASSY
10-730	HL10VAZ6-20		..BOLT- (V60516) (SPEC BACB30MY6K20) (OPT B30MY6K20 (V97928))	E-H,A C,AD	9
732	HL10VAZ6-18		..BOLT- (V60516) (SPEC BACB30MY6K18) (OPT B30MY6K18 (V97928))	E-H,A C,AD	20
734	HL13VAZ6-21		..BOLT- (V56878) (SPEC BACB30NY6K21) (OPT HL13VAZ6-21 (V73197)) (OPT HL13VAZ6-21 (V92215)) (OPT HL13VAZ6-21 (V97928)) (OPT L801-6K21 (V06725)) (OPT HL13VAZ6-21 (V08524)) (OPT HL13V21 (V06725)) (OPT HL13VAZ6-21 (V17446))	E-H,A C,AD	1
736	HL79-6		..COLLAR- (V5M902) (SPEC BACC30M6) (OPT HL79-6 (V73197)) (OPT HL79-6 (V92215)) (OPT 66014-6 (V56878)) (OPT HL79-6 (V56878))	E-H,A C,AD	31

71-11-32

ILLUSTRATED PARTS LIST

01.1 Page 1094H

Jul 01/03


BOEING
 COMPONENT
 MAINTENANCE MANUAL

FIG. & ITEM	PART NO.	AIRLINE PART NUMBER	NOMENCLATURE 1234567	EFF CODE	QTY PER ASSY
10-738	HL1012AZ8-10		..BOLT- (V0PTK6) (SPEC BACB30NX8K10) (OPT HL12VAZ8-10 (V73197)) (OPT HL12VAZ8-10 (V92215)) (OPT HL12VAZ8-10 (V97928)) (OPT L802-8K10 (V06725)) (OPT HL12VAZ8-10 (V56878)) (OPT HL1012AZ8-10 (V06725)) (OPT HL1012AZ8-10 (V06950)) (OPT HL1012AZ8-10 (V17446)) (OPT HL1012AZ8-10 (V56878)) (OPT HL1012AZ8-10 (V60516)) (OPT HL1012AZ8-10 (V73197)) (OPT HL1012AZ8-10 (V97928))	E-H,A C,AD	4
740	HL1187DUW8		..COLLAR- (V5M902) (SPEC BACC30X8SW) (OPT HL87DUW8 (V73197)) (OPT HL87DUW8 (V92215)) (OPT HL1187DUW8 (V56878)) (OPT HL1187DUW8 (V92215)) (OPT HL87DUW8 (V56878)) (OPT HL1187DUW8 (V73197))	E-H,A C,AD	4

71-11-32

ILLUSTRATED PARTS LIST

01.1 Page 1094I

Jul 01/03

FIG. & ITEM	PART NO.	AIRLINE PART NUMBER	NOMENCLATURE 1234567	EFF CODE	QTY PER ASSY
10-742	HL1012AZ6-10		..BOLT- (V97928) (SPEC BACB30NX6K10) (OPT HL12VAZ6-10 (V73197)) (OPT HL12VAZ6-10 (V92215)) (OPT HL12VAZ6-10 (V97928)) (OPT L802-6K10 (V06725)) (OPT HL12VAZ6-10 (V56878)) (OPT HL1012AZ6-10 (V0PTK6)) (OPT HL1012AZ6-10 (V06725)) (OPT HL1012AZ6-10 (V06950)) (OPT HL1012AZ6-10 (V17446)) (OPT HL1012AZ6-10 (V56878)) (OPT HL1012AZ6-10 (V60516)) (OPT HL1012AZ6-10 (V73197))	E-H,A C,AD	2
744	HL1187DUW6		..COLLAR- (V5M902) (SPEC BACC30X6SW) (OPT HL87DUW6 (V73197)) (OPT HL87DUW6 (V92215)) (OPT HL1187DUW6 (V56878)) (OPT HL1187DUW6 (V92215)) (OPT HL87DUW6 (V56878)) (OPT HL1187DUW6 (V73197))	E-H,A C,AD	2

71-11-32

 ILLUSTRATED PARTS LIST
 01.1 Page 1094J
 Jul 01/03


BOEING
 COMPONENT
 MAINTENANCE MANUAL

FIG. & ITEM	PART NO.	AIRLINE PART NUMBER	NOMENCLATURE 1234567	EFF CODE	QTY PER ASSY
10-746	HL13VAZ6-10		..BOLT- (V56878) (SPEC BACB30NY6K10) (OPT HL13VAZ6-10 (V73197)) (OPT HL13VAZ6-10 (V92215)) (OPT HL13VAZ6-10 (V97928)) (OPT L801-6K10 (V06725)) (OPT HL13VAZ6-10 (V08524)) (OPT HL13V10 (V06725)) (OPT HL13VAZ6-10 (V17446))	E-H,A C,AD	1
748	HL13VAZ6-9		..BOLT- (V56878) (SPEC BACB30NY6K9) (OPT HL13VAZ6-9 (V73197)) (OPT HL13VAZ6-9 (V92215)) (OPT HL13VAZ6-9 (V97928)) (OPT L801-6K9 (V06725)) (OPT HL13VAZ6-9 (V08524)) (OPT HL13V9 (V06725)) (OPT HL13VAZ6-9 (V17446))	E-H,A C,AD	1

71-11-32

ILLUSTRATED PARTS LIST

01.1 Page 1094K

Jul 01/03

FIG. & ITEM	PART NO.	AIRLINE PART NUMBER	NOMENCLATURE 1234567	EFF CODE	QTY PER ASSY
10-750	HL13VAZ6-5		..BOLT- (V56878) (SPEC BACB30NY6K5) (OPT HL13VAZ6-5 (V73197)) (OPT HL13VAZ6-5 (V92215)) (OPT HL13VAZ6-5 (V97928)) (OPT L801-6K5 (V06725)) (OPT HL13VAZ6-5 (V08524)) (OPT HL13V5 (V06725)) (OPT HL13VAZ6-5 (V17446))	E-H,A C,AD	2
752	HL1187DU6		..COLLAR- (V5M902) (SPEC BACC30X6S) (OPT HL87DU6 (V73197)) (OPT HL87DU6 (V92215)) (OPT HL1187DU6 (V56878)) (OPT HL1187DU6 (V92215)) (OPT HL87DU6 (V56878)) (OPT HL1187DU6 (V73197))	E-H,A C,AD	4

71-11-32

 ILLUSTRATED PARTS LIST
 01.1 Page 1094L
 Jul 01/03


BOEING
 COMPONENT
 MAINTENANCE MANUAL

FIG. & ITEM	PART NO.	AIRLINE PART NUMBER	NOMENCLATURE 1234567	EFF CODE	QTY PER ASSY
10-754	ASPF PDT6-18		DELETED		
754A	2ASPF PDT6-8		..BOLT- (V17446)	E-H,A C,AD	2
756	ASPPSDT6		DELETED		
756A	2ASPPSDT6		..SLEEVE- (V17446)	E-H,A C,AD	2
758	ASPLC2AC6		..COLLAR- (V17446)	E-H,A C,AD	2
760	BACB30MY6F18		..BOLT	E-H,A C,AD	3
762	H10-3BAC		..NUT- (V15653) (SPEC BACN10JC3) (OPT NS202101-02 (V80539)) (OPT RMLH9075-3W (V72962)) (OPT T6S1032J (V71087)) (OPT VN303A02 (V92215)) (OPT 96-02 (V80539)) (OPT BRH10A3 (V52828))	E-H,A C,AD	3
764	315T3400-209		..BIFURCATION ASSY-LWR (FOR DETAILS SEE FIG. 4)	E,G	1
-766	315T3400-210		..BIFURCATION ASSY-LWR (FOR DETAILS SEE FIG. 4)	F,H,A C,AD	1
768	BACB30LH3-20		..BOLT	E-H,A C,AD	1

71-11-32

ILLUSTRATED PARTS LIST

01.1 Page 1094M

Jul 01/03

FIG. & ITEM	PART NO.	AIRLINE PART NUMBER	NOMENCLATURE 1234567	EFF CODE	QTY PER ASSY
10-770	AN960-10		..WASHER	E-H,A C,AD	1
772	BRH10C3M		..NUT- (V52828) (SPEC BACN10JC3CM) (OPT T6C1032JM (V11815)) (OPT 97E02 (V80539)) (OPT 109LH9075-3W (V72962)) (OPT VN303D02 (V92215)) (OPT NS202101SE02 (V80539)) (OPT H01-3BAC (V15653))	E-H,A C,AD	1
774	BACB30LJ4-18		..BOLT	E-H,A C,AD	2
776	NAS1805-4N		..NUT	E-H,A C,AD	2
778	HL13VAZ6-20		..BOLT- (V56878) (SPEC BACB30NY6K20) (OPT HL13VAZ6-20 (V73197)) (OPT HL13VAZ6-20 (V92215)) (OPT HL13VAZ6-20 (V97928)) (OPT L801-6K20 (V06725)) (OPT HL13VAZ6-20 (V08524)) (OPT HL13V20 (V06725)) (OPT HL13VAZ6-20 (V17446))	E-H,A C,AD	2
780	HL10VAZ6-5		..BOLT- (V60516) (SPEC BACB30MY6K5) (OPT B30MY6K5 (V97928))	E-H,A C,AD	4

71-11-32

 ILLUSTRATED PARTS LIST
 01.1 Page 1094N
 Jul 01/03


BOEING
 COMPONENT
 MAINTENANCE MANUAL

FIG. & ITEM	PART NO.	AIRLINE PART NUMBER	NOMENCLATURE 1234567	EFF CODE	QTY PER ASSY
10-782	HL79-6		..COLLAR- (V5M902) (SPEC BACC30M6) (OPT HL79-6 (V73197)) (OPT HL79-6 (V92215)) (OPT 66014-6 (V56878)) (OPT HL79-6 (V56878))	E-H,A C,AD	6
784	HL13VAZ8-20		..BOLT- (V56878) (SPEC BACB30NY8K20) (OPT HL13VAZ8-20 (V73197)) (OPT HL13VAZ8-20 (V92215)) (OPT HL13VAZ8-20 (V97928)) (OPT L801-8K20 (V06725)) (OPT HL13VAZ8-20 (V08524)) (OPT HL13V20 (V06725)) (OPT HL13VAZ8-20 (V17446))	E-H,A C,AD	2
786	HL79-8		..COLLAR- (V5M902) (SPEC BACC30M8) (OPT HL79-8 (V73197)) (OPT HL79-8 (V92215)) (OPT 66014-8 (V56878)) (OPT HL79-8 (V56878))	E-H,A C,AD	2
788	315T3256-3		..PLATE-SPLICE	E,G	1
-790	315T3256-4		..PLATE-SPLICE	F,H,A C,AD	1
792	315T3002-16		..STRAP	E-H,A C,AD	1

71-11-32

ILLUSTRATED PARTS LIST

01.1 Page 10940

Jul 01/03

FIG. & ITEM	PART NO.	AIRLINE PART NUMBER	NOMENCLATURE 1234567	EFF CODE	QTY PER ASSY
10-794	BACS40R10C17F		..SHIM	E,H,A C,AD	1
796	315T3409-1		..PAD ASSY-CPRSN FWD (OPT ITEM 796A)	E,G	1
-796A	315T3409-7		..PAD ASSY-CPRSN FWD (OPT ITEM 796)	E,G	1
-798	315T3409-2		..PAD ASSY-CPRSN FWD (OPT ITEM 798A)	F,H,A C,AD	1
-798A	315T3409-8		..PAD ASSY-CPRSN FWD (OPT ITEM 798)	F,H,A C,AD	1
800	MS21209C0820P		...INSERT	E,H,A C,AD	2
802	315T3409-3		...FITTING-PAD (USED ON ITEM 796)	E,G	1
-802A	315T3409-9		...FITTING-PAD (USED ON ITEM 796A)	E,G	1
-804	315T3409-4		...FITTING-PAD (USED ON ITEM 798)	F,H,A C,AD	1
-804A	315T3409-10		...FITTING-PAD (USED ON ITEM 798A)	F,H,A C,AD	1
806	315T3204-7		..RING ASSY- (OPT ITEM 866)	E,G	1
-808	315T3204-8		..RING ASSY- (OPT ITEM 868)	F,H,A C,AD	1
812	BACR15CE6KE7		...RIVET	E,H,A C,AD	4
814	315T3222-2		...BUSHING	E,H,A C,AD	1
816	HL13VAZ6-4		...BOLT- (V56878) (SPEC BACB30NY6K4) (OPT HL13VAZ6-4 (V73197)) (OPT HL13VAZ6-4 (V92215)) (OPT HL13VAZ6-4 (V97928)) (OPT L801-6K4 (V06725)) (OPT HL13VAZ6-4 (V08524)) (OPT HL13V4 (V06725)) (OPT HL13VAZ6-4 (V17446))	E,H,A C,AD	72

71-11-32

 ILLUSTRATED PARTS LIST
 01.1 Page 1094P
 Jul 01/03


BOEING
 COMPONENT
 MAINTENANCE MANUAL

FIG. & ITEM	PART NO.	AIRLINE PART NUMBER	NOMENCLATURE 1234567	EFF CODE	QTY PER ASSY
R 10-818	HL11VAZ6-3		...BOLT- (V60516) (SPEC BACB30NW6K3) (OPT B30NW6K3 (V97928)) (OPT HL11VAZ6-3 (V73197)) (OPT HL11VAZ6-3 (V92215)) (OPT HL11VAZ6-3 (V97928)) (OPT L803-6K3 (V06725)) (OPT HL11VAZ6-3 (V0PTK6)) (OPT HL11VAZ6-3 (V56878))	E-H,A C,AD	66
820	HL79-6		...COLLAR- (V5M902) (SPEC BACC30M6) (OPT HL79-6 (V73197)) (OPT HL79-6 (V92215)) (OPT 66014-6 (V56878)) (OPT HL79-6 (V56878))	E-H,A C,AD	138
822	315T3220-1		...STRIP-RUB	E-H,A C,AD	6
824	BACR15CE8KE20		...RIVET	E-H,A C,AD	5
826	BACR15BA8KE22		...RIVET	E-H,A C,AD	5
828	BACR15CE8KE17		...RIVET	E-H,A C,AD	5
830	BACR15BA8KE19		...RIVET	E-H,A C,AD	5

71-11-32

ILLUSTRATED PARTS LIST

01.1 Page 1094Q

Jul 01/03

FIG. & ITEM	PART NO.	AIRLINE PART NUMBER	NOMENCLATURE 1234567	EFF CODE	QTY PER ASSY
R 10-832	HL11VAZ6-5		...BOLT- (V60516) (SPEC BACB30NW6K5) (OPT HL11V6-5 (V92215)) (OPT HL11V6-5 (V97928)) (OPT L803-6-5 (V06725)) (OPT B30NW6K5 (V97928)) (OPT HL11VAZ6-5 (V73197)) (OPT HL11VAZ6-5 (V92215)) (OPT HL11VAZ6-5 (V56878))	E-H,A C,AD	4
834	HL10VAZ6-4		...BOLT- (V60516) (SPEC BACB30MY6K4) (OPT B30MY6K4 (V97928))	E-H,A C,AD	5
836	HL79-6		...COLLAR- (V5M902) (SPEC BACC30M6) (OPT HL79-6 (V73197)) (OPT HL79-6 (V92215)) (OPT 66014-6 (V56878)) (OPT HL79-6 (V56878))	E-H,A C,AD	9
838	BACS40R21B29F		...SHIM	E-H,A C,AD	AR
840	BACS40R22C65F		...SHIM	E-H,A C,AD	AR
842	BACS40R11B2833F		...SHIM	E-H,A C,AD	AR
844	BACS40R21B35F		...SHIM	E-H,A C,AD	AR
846	BACS40R22C58F		...SHIM	E-H,A C,AD	AR
848	BACS40R11B28F		...SHIM	E-H,A C,AD	AR

71-11-32

ILLUSTRATED PARTS LIST

01.1 Page 1094R

Jul 01/03


BOEING
 COMPONENT
 MAINTENANCE MANUAL

FIG. & ITEM	PART NO.	AIRLINE PART NUMBER	NOMENCLATURE 1234567	EFF CODE	QTY PER ASSY
10-					
850	315T3216-1		...FITTING	E,G	1
-852	315T3216-2		...FITTING	F,H,A C,AD	1
854	315T3203-1		...FITTING	E,G	1
-856	315T3203-2		...FITTING	F,H,A C,AD	1
-858	315T3664-1		...BUSHING INSTL-(REWORK)	E,G	1
-860	315T3664-2		...BUSHING INSTL-(REWORK)	F,H,A C,AD	1
862	315T3222-3	BUSHING	E-H,A C,AD	1
864	BACR15CE6KE7	RIVET	E-H,A C,AD	4
866	315T3204-5		..RING ASSY- (OPT ITEM 806) (PRE SB 767-78A0089)	E,G	1
-866A	315T3204-21		..RING ASSY- (POST SB 767-78A0089) (FOR DETAILS SEE FIG. 12)	E,G	1
-868	315T3204-6		..RING ASSY- (OPT ITEM 808) (PRE SB 767-78A0089)	F,H,A C,AD	1
-868A	315T3204-22		..RING ASSY- (POST SB 767-78A0089) (FOR DETAILS SEE FIG. 12)	F,H,A C,AD	1
-870	315T3204-5001		...RING ASSY- (LIMITED)	E,G	1

71-11-32

 ILLUSTRATED PARTS LIST
 01.1 Page 1094S
 Jul 01/03

FIG. & ITEM	PART NO.	AIRLINE PART NUMBER	NOMENCLATURE 1234567	EFF CODE	QTY PER ASSY
10- -870A	315T3204-5003		...RING ASSY- (LIMITED)	E,G	1
-870B	315T3204-5005		...RING ASSY- (LIMITED)	E,G	1
-870C	315T3204-5007		...RING ASSY- (LIMITED)	E,G	1
-870D	315T3204-5009		...RING ASSY- (LIMITED)	E,G	1
-872	315T3204-5002		...RING ASSY- (LIMITED)	F,H,A C,AD	1
-872A	315T3204-5004		...RING ASSY- (LIMITED)	F,H,A C,AD	1
-872B	315T3204-5006		...RING ASSY- (LIMITED)	F,H,A C,AD	1
-872C	315T3204-5008		...RING ASSY- (LIMITED)	F,H,A C,AD	1
-872D	315T3204-5010		...RING ASSY- (LIMITED)	F,H,A C,AD	1
874	BACR15CE6KE7	RIVET- (PRE SB 767-78A0089)	E-H,A C,AD	4
-874A	MS90353-0603	RIVET- (POST SB 767-78A0089)	E-H,A C,AD	4
876	315T3222-4	BUSHING- (USED ON ITEMS 870, 870A, 870B, 870C, 872, 872A, 872B, 872C) (PRE SB 767-78A0089)	E-H,A C,AD	1
-876A	315T3222-5	BUSHING- (USED ON ITEMS 870D, 872D) (PRE SB 767-78A0089)	E-H,A C,AD	1

71-11-32

 ILLUSTRATED PARTS LIST
 01.1 Page 1094T
 Jul 01/03


BOEING
 COMPONENT
 MAINTENANCE MANUAL

FIG. & ITEM	PART NO.	AIRLINE PART NUMBER	NOMENCLATURE 1234567	EFF CODE	QTY PER ASSY
10-877	315T3222-10	BUSHING- (POST SB 767-78A0089)	E-H,A C,AD	1
878	HL13VAZ6-4	BOLT- (V56878) (SPEC BACB30NY6K4) (OPT HL13VAZ6-4 (V73197)) (OPT HL13VAZ6-4 (V92215)) (OPT HL13VAZ6-4 (V97928)) (OPT L801-6K4 (V06725)) (OPT HL13VAZ6-4 (V08524)) (OPT HL13V4 (V06725)) (OPT HL13VAZ6-4 (V17446))	E-H,A C,AD	72
R 880	HL11VAZ6-3	BOLT- (V60516) (SPEC BACB30NW6K3) (OPT B30NW6K3 (V97928)) (OPT HL11VAZ6-3 (V73197)) (OPT HL11VAZ6-3 (V92215)) (OPT HL11VAZ6-3 (V97928)) (OPT L803-6K3 (V06725)) (OPT HL11VAZ6-3 (V0PTK6)) (OPT HL11VAZ6-3 (V56878))	E-H,A C,AD	66

71-11-32

ILLUSTRATED PARTS LIST

01.1 Page 1094U

Jul 01/03

FIG. & ITEM	PART NO.	AIRLINE PART NUMBER	NOMENCLATURE 1234567	EFF CODE	QTY PER ASSY
10-882	HL79-6	COLLAR- (V5M902) (SPEC BACC30M6) (OPT HL79-6 (V73197)) (OPT HL79-6 (V92215)) (OPT 66014-6 (V56878)) (OPT HL79-6 (V56878))	E-H,A C,AD	138
884	315T3220-1	STRIP-RUB	E-H,A C,AD	6
886	BACR15CE8KE20	RIVET	E-H,A C,AD	5
888	BACR15CE8KE22	RIVET	E-H,A C,AD	5
890	BACR15CE8KE17	RIVET	E-H,A C,AD	5
892	BACR15CE8KE19	RIVET	E-H,A C,AD	5
R 894	HL11VAZ6-5	BOLT- (V60516) (SPEC BACB30NW6K5) (OPT HL11V6-5 (V92215)) (OPT HL11V6-5 (V97928)) (OPT L803-6-5 (V06725)) (OPT B30NW6K5 (V97928)) (OPT HL11VAZ6-5 (V73197)) (OPT HL11VAZ6-5 (V92215)) (OPT HL11VAZ6-5 (V56878))	E-H,A C,AD	4
896	HL10VAZ6-4	BOLT- (V60516) (SPEC BACB30MY6K4) (OPT B30MY6K4 (V97928))	E-H,A C,AD	5

71-11-32

 ILLUSTRATED PARTS LIST
 01.1 Page 1094V
 Jul 01/03


BOEING
 COMPONENT
 MAINTENANCE MANUAL

FIG. & ITEM	PART NO.	AIRLINE PART NUMBER	NOMENCLATURE 1234567	EFF CODE	QTY PER ASSY
10-898	HL79-6	COLLAR- (V5M902) (SPEC BACC30M6) (OPT HL79-6 (V73197)) (OPT HL79-6 (V92215)) (OPT 66014-6 (V56878)) (OPT HL79-6 (V56878))	E-H,A C,AD	9
900	BACS40R21B29F	SHIM	E-H,A C,AD	AR
902	BACS40R22C65F	SHIM	E-H,A C,AD	AR
904	BACS40R11B2833F	SHIM	E-H,A C,AD	AR
906	BACS40R21B35F	SHIM	E-H,A C,AD	AR
908	BACS40R22C58F	SHIM	E-H,A C,AD	AR
910	BACS40R11B28F	SHIM	E-H,A C,AD	AR
912	315T3216-3	FITTING- (USED ON ITEMS 870, 870A, 870B)	E,G	1
-912A	315T3216-7	FITTING- (USED ON ITEMS 870C, 870D)	E,G	1
-914	315T3216-4	FITTING- (USED ON ITEMS 872, 872A, 872B)	F,H,A C,AD	1
-914A	315T3216-8	FITTING- (USED ON ITEMS 872C, 872D)	F,H,A C,AD	1
916	315T3203-3	FITTING	E,G	1
-918	315T3203-4	FITTING	F,H,A C,AD	1
920	315T3240-1		..SEAL INSTL-THRUST REVERSER AERODYN (FOR DETAILS SEE FIG. 5)	E,G	1

71-11-32

 ILLUSTRATED PARTS LIST
 01.1 Page 1094W
 Jul 01/03

FIG. & ITEM	PART NO.	AIRLINE PART NUMBER	NOMENCLATURE 1234567	EFF CODE	QTY PER ASSY
10- -922	315T3240-2		..SEAL INSTL-THRUST REVERSER AERODYN (FOR DETAILS SEE FIG. 5)	F,H,A C,AD	1
-924	315T3122-1		..DUCT INSTL-INLET FTG	E,G	1
926	NAS514P1032-8P		...SCREW	E,G	5
928	AN960PD10L		...WASHER	E,G	5
930	H10-3BAC		...NUT- (V15653) (SPEC BACN10JC3) (OPT NS202101-02 (V80539)) (OPT RMLH9075-3W (V72962)) (OPT T6S1032J (V71087)) (OPT VN303A02 (V92215)) (OPT 96-02 (V80539)) (OPT BRH10A3 (V52828))	E,G	5
932	D4848-1		...SEAL- (V75345) (SPEC 60B90602-1)	E,G	1
934	HL505-6-17		...BOLT- (V60516) (SPEC BACB30HA6R17) (OPT HL505-6-17 (V92215)) (OPT HL505-6-17 (V73197))	E,G	12

71-11-32

 ILLUSTRATED PARTS LIST
 01.1 Page 1094X
 Jul 01/03


BOEING
 COMPONENT
 MAINTENANCE MANUAL

FIG. & ITEM	PART NO.	AIRLINE PART NUMBER	NOMENCLATURE 1234567	EFF CODE	QTY PER ASSY
10-936	315T3122-3		...SHIM	E,G	12
938	HL77-6		...COLLAR- (V5M902) (SPEC BACC30P6) (OPT HL77-6 (V73197)) (OPT HL77-6 (V92215)) (OPT 66015-6 (V56878)) (OPT HL77-6 (V56878))	E,G	12
940	315T3121-1		...DUCT ASSY	E,G	1
942	BACB30MB5		...BOLT- (SIZE DETERMINE ON INST)	E,G	2
944	BACB30JC5A		...BOLT- (SIZE DETERMINE ON INST)	E,G	2
946	HL1187-5		...COLLAR- (V5M902) (SPEC BACC30X5) (OPT HL87-5 (V73197)) (OPT HL87-5 (V92215)) (OPT HL86PB5 (V73197)) (OPT HL86PB5 (V56878)) (OPT HL86PB5 (V92215)) (OPT HL1187-5 (V56878)) (OPT HL1187-5 (V92215)) (OPT HL87-5 (V56878)) (OPT HL1187-5 (V73197))	E,G	4

71-11-32

 ILLUSTRATED PARTS LIST
 01.1 Page 1094Y
 Jul 01/03

FIG. & ITEM	PART NO.	AIRLINE PART NUMBER	NOMENCLATURE 1234567	EFF CODE	QTY PER ASSY
10-					
948	315T3121-7	STIFFENER	E,G	1
950	315T3121-2	DUCT	E,G	1
-952	315T3124-5		..DUCT INSTL-EXH	E,G	1
R 954	HL11VAZ6-19		...BOLT- (V60516) (SPEC BACB30NW6K19) (OPT B30NW6K19 (V97928)) (OPT HL11VAZ6-19 (V73197)) (OPT HL11VAZ6-19 (V92215)) (OPT HL11VAZ6-19 (V97928)) (OPT L803-6K19 (V06725)) (OPT HL11VAZ6-19 (V0PTK6)) (OPT HL11VAZ6-19 (V56878))	E,G	16
956	BACS40R7B10F		...SHIM	E,G	AR
958	BACC30AB6		DELETED		
958A	HL97DU6		...COLLAR- (V73197) (SPEC BACC30AB6S) (OPT HL97DU6 (V92215)) (OPT HL97DU6 (V56878))	E,G	16

71-11-32

 ILLUSTRATED PARTS LIST
 01.1 Page 1094Z
 Jul 01/03


BOEING
 COMPONENT
 MAINTENANCE MANUAL

FIG. & ITEM	PART NO.	AIRLINE PART NUMBER	NOMENCLATURE 1234567	EFF CODE	QTY PER ASSY
10-					
960	315T3135-1		...GASKET	E,G	2
962	315T3135-2		...GASKET	E,G	1
964	315T3135-3		...GASKET	E,G	1
966	NAS514P1032-8P		...SCREW-	E,G	8
			(REPLS ITEM 966A)		
-966A	NAS514P1032-12P		...SCREW-		8
			(REPLD BY ITEM 966)		
968	AN960XC10		...WASHER	E,G	8
970	BRH10C3		...NUT-	E,G	8
			(V52828)		
			(SPEC BACN10JC3C)		
			(OPT T6C1032J		
			(V11815))		
			(OPT 97-02		
			(V80539))		
			(OPT 101LH9075-3W		
			(V72962))		
			(OPT VN303B02		
			(V92215))		
			(OPT NS202101S02		
			(V80539))		
			(OPT H31-3BAC		
			(V15653))		
972	315T3124-7		...SHIM-	E,G	2
			(LIMITED)		
			(MFD FROM SH AIAI 301		
			7.9 X 7.9 X .100 PER		
			MIL-S-5059)		
			(USED WITH ITEMS 966A,		
			974)		
974	BOE2040		...SEAL-	E,G	1
			(REPLD BY ITEM 976)		
			(V16632)		
			(SPEC S332T308-1)		
			(BOE2040-0004 I/W		
			BOE2040 AT SURGE BLEED		
			PORT NO. 1)		
			(BOE2040-0004 I/W		
			BOE2040 TOGETHER WITH 3		
			EACH 315T3124-7 SHIMS AT		
			SURGE BLEED PORT NO. 2)		
			(BOE2040-0004 I/W		
			BOE2040 TOGETHER WITH 2		
			EACH 315T3124-7 SHIMS AT		
			SURGE BLEED PORT NO. 4)		

71-11-32

ILLUSTRATED PARTS LIST

01.1

Page 1095

Jul 01/03

FIG. & ITEM	PART NO.	AIRLINE PART NUMBER	NOMENCLATURE	EFF CODE	QTY PER ASSY
10-976	BOE2040-0004		1234567 ...SEAL- (REPLS ITEM 974) (V16632) (SPEC S332T308-4) (BOE2040-0004 I/W BOE2040 AT SURGE BLEED PORT NO. 1) (BOE2040-0004 I/W BOE2040 TOGETHER WITH 3 EACH 315T3124-7 SHIMS AT SURGE BLEED PORT NO. 2) (BOE2040-0004 I/W BOE2040 TOGETHER WITH 2 EACH 315T3124-7 SHIMS AT SURGE BLEED PORT NO. 4)	E,G	1
R 978	HL11VAZ6-4		...BOLT- (V60516) (SPEC BACB30NW6K4) (OPT HL11V6-4 (V92215)) (OPT HL11V6-4 (V97928)) (OPT L803-6-4 (V06725)) (OPT B30NW6K4 (V97928)) (OPT HL11VAZ6-4 (V73197)) (OPT HL11VAZ6-4 (V92215)) (OPT HL11VAZ6-4 (V56878))	E,G	5

71-11-32

 ILLUSTRATED PARTS LIST
 01.1 Page 1096
 Jul 01/03


BOEING
 COMPONENT
 MAINTENANCE MANUAL

FIG. & ITEM	PART NO.	AIRLINE PART NUMBER	NOMENCLATURE 1234567	EFF CODE	QTY PER ASSY
R 10-980	HL11VAZ6-3		...BOLT- (V60516) (SPEC BACB30NW6K3) (OPT B30NW6K3 (V97928)) (OPT HL11VAZ6-3 (V73197)) (OPT HL11VAZ6-3 (V92215)) (OPT HL11VAZ6-3 (V97928)) (OPT L803-6K3 (V06725)) (OPT HL11VAZ6-3 (V0PTK6)) (OPT HL11VAZ6-3 (V56878))	E,G	12
982 982A	BACC30AB6 HL97DU6		DELETED ...COLLAR- (V73197) (SPEC BACC30AB6S) (OPT HL97DU6 (V92215)) (OPT HL97DU6 (V56878))	E,G	17
984	315T3123-37		...DUCT ASSY	E,G	1
986	315T3126-1		..DUCT INSTL-INLET PRECOOLER (FOR DETAILS SEE FIG. 6)	F,H,A C,AD	1

- Item Not Illustrated

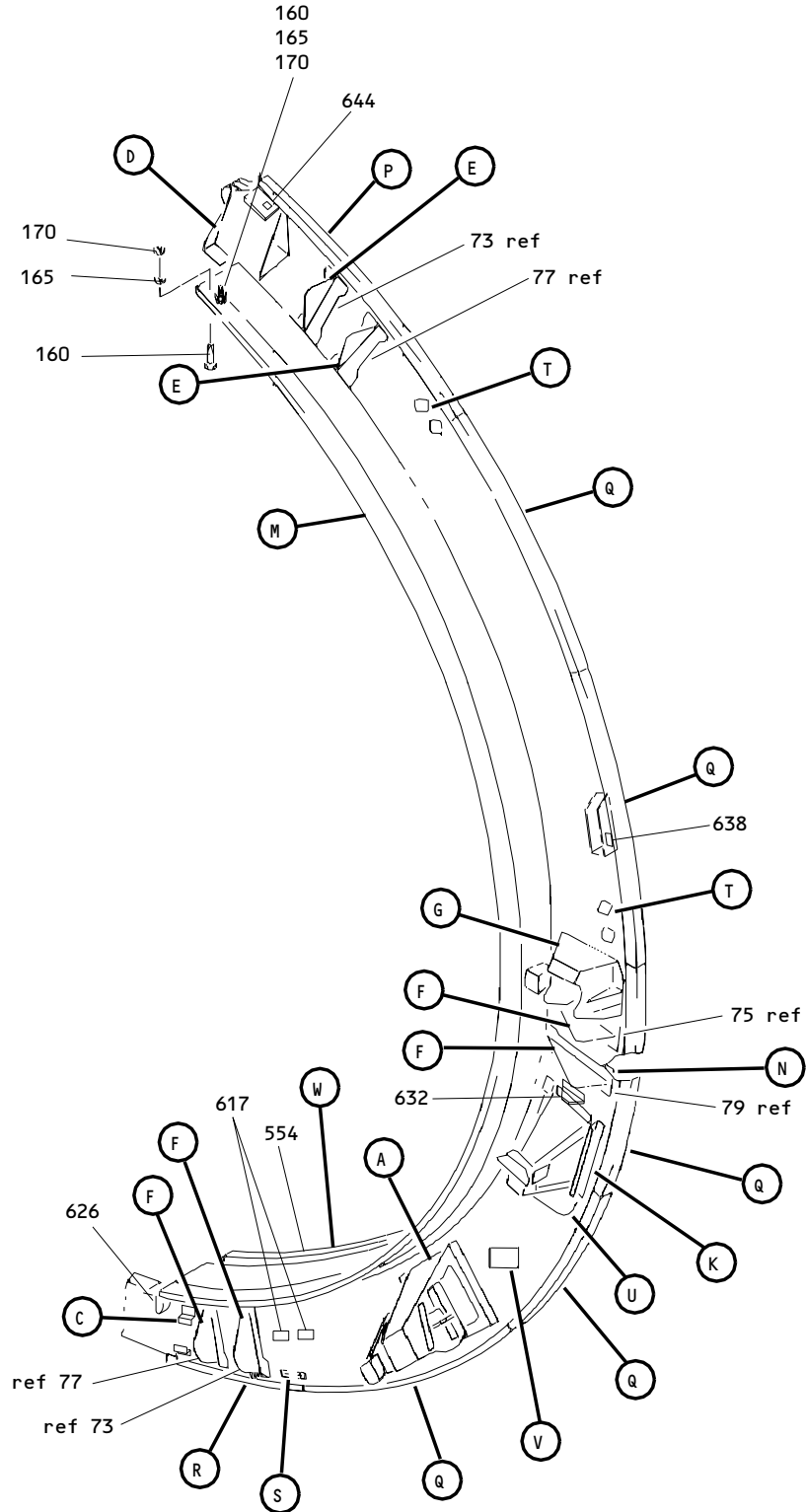
71-11-32

ILLUSTRATED PARTS LIST

01.1 Page 1096A

Jul 01/03

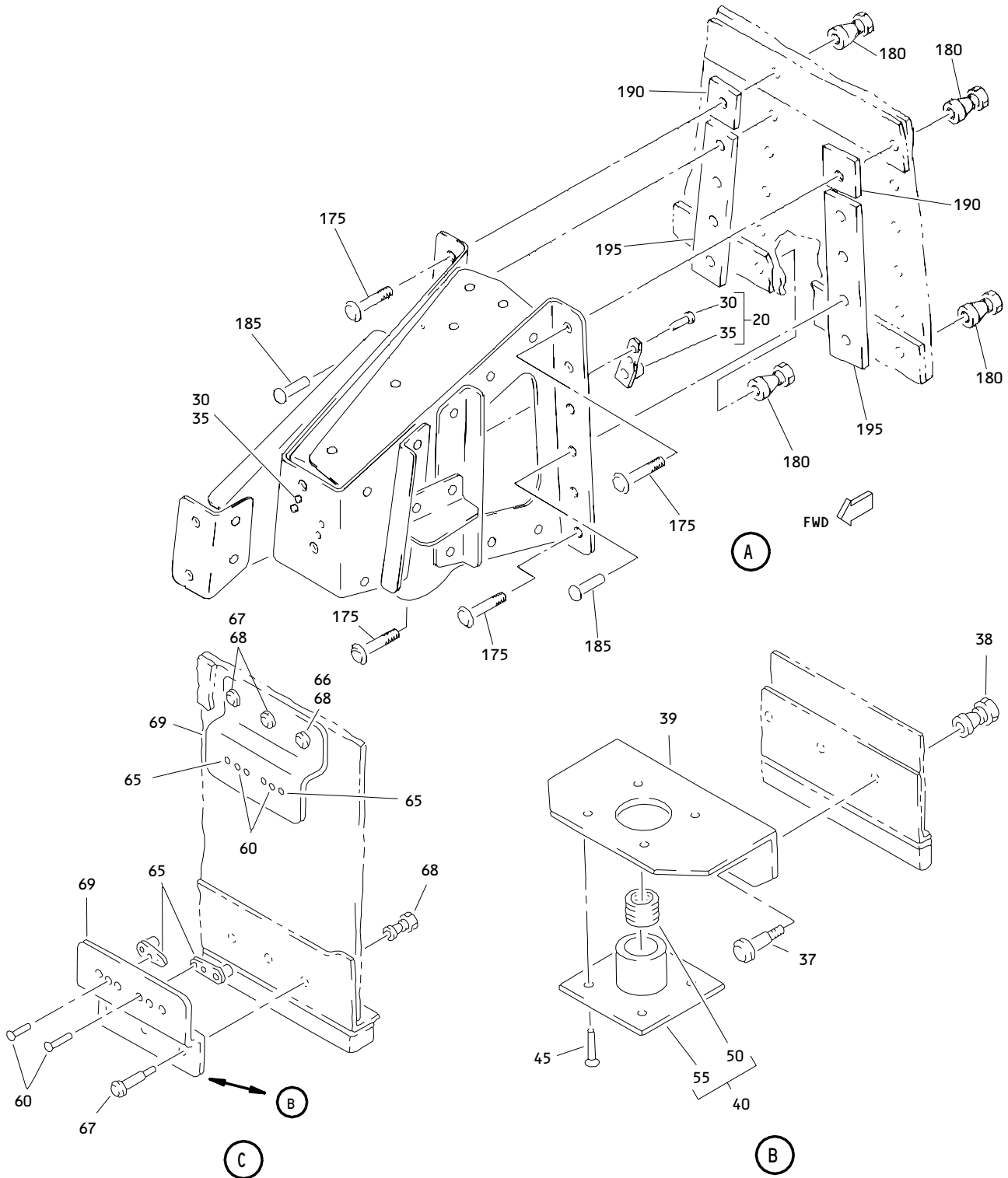
BOEING
COMPONENT
MAINTENANCE MANUAL



Engine Outboard and Inboard Side Fan Duct Reverser
 JT9D-7R4 Engine Torque Right Hand Box Installation
 Figure 11 (Sheet 1)

71-11-32

ILLUSTRATED PARTS LIST
 01.1 Page 1096C
 Jul 01/03

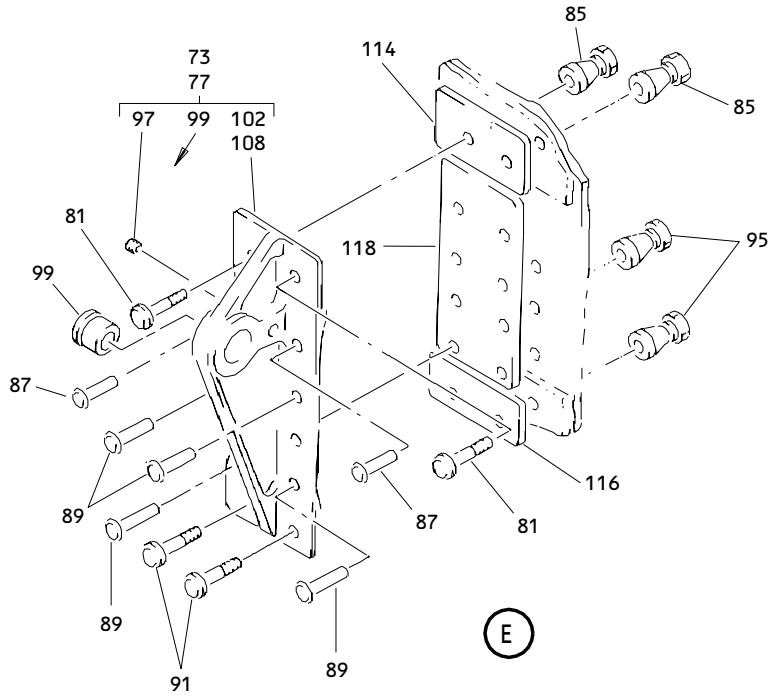
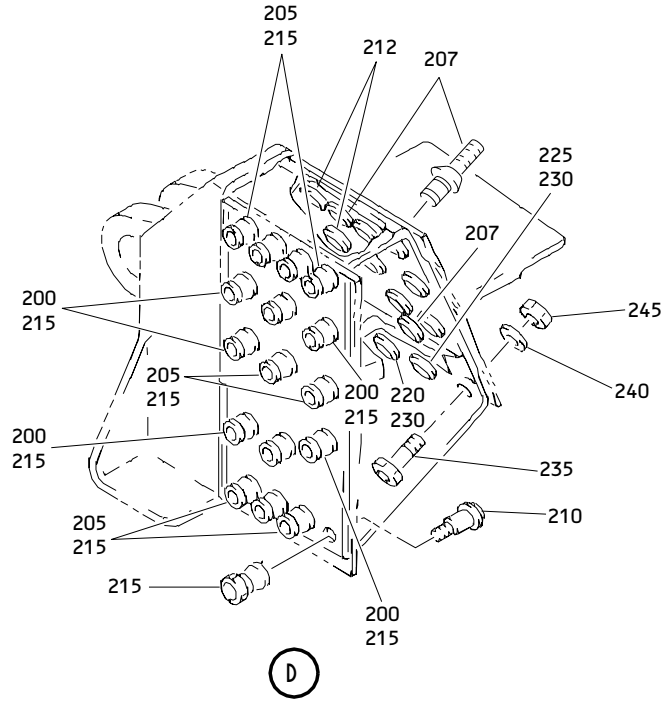


Engine Outboard and Inboard Side Fan Duct Reverser
 JT9D-7R4 Engine Torque Right Hand Box Installation
 Figure 11 (Sheet 2)

71-11-32

ILLUSTRATED PARTS LIST
 01.1 Page 1096D
 Jul 01/03

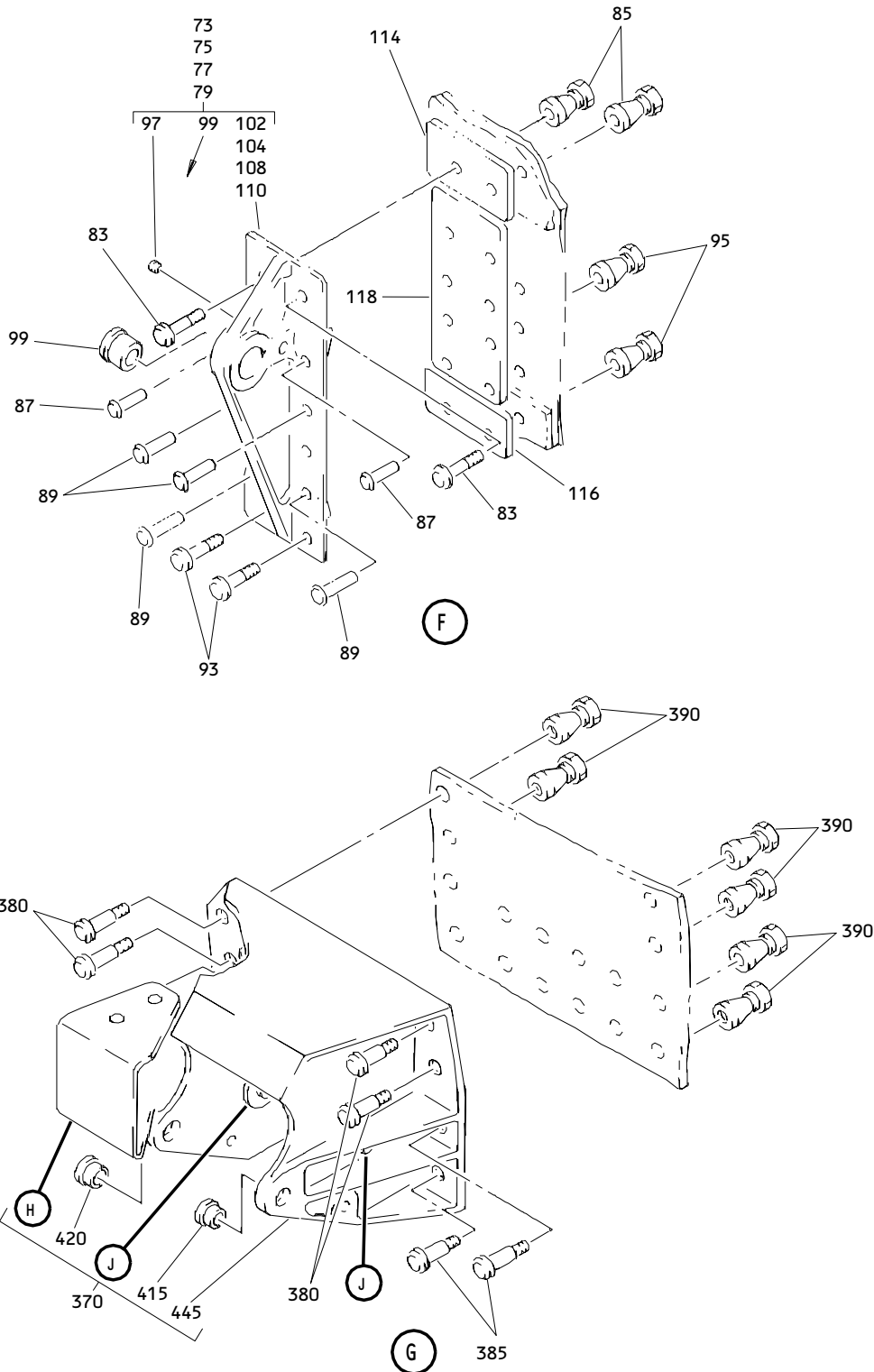
BOEING
 COMPONENT
 MAINTENANCE MANUAL



Engine Outboard and Inboard Side Fan Duct Reverser
 JT9D-7R4 Engine Torque Right Hand Box Installation
 Figure 11 (Sheet 3)

71-11-32

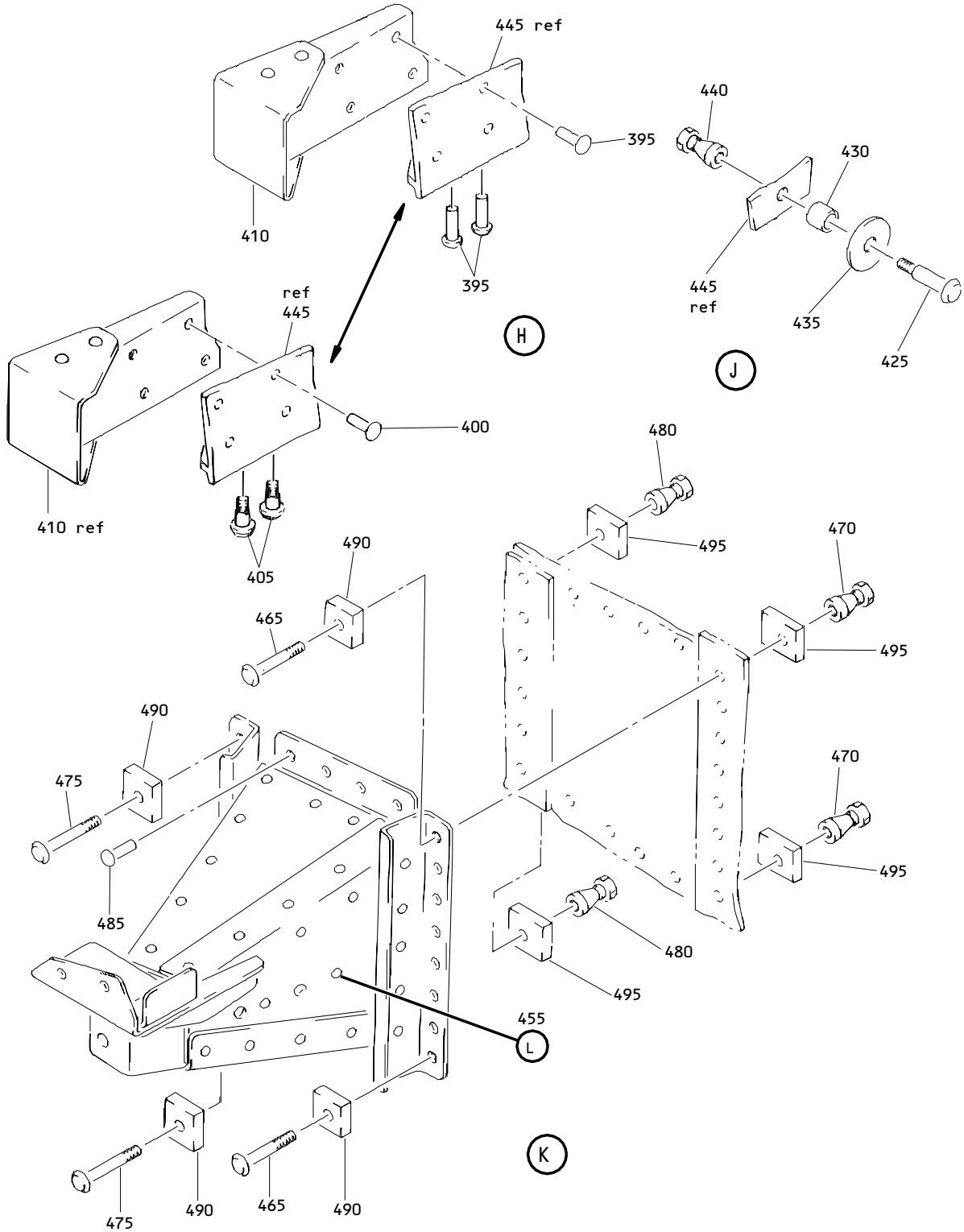
ILLUSTRATED PARTS LIST
 01.1 Page 1096E
 Jul 01/03



Engine Outboard and Inboard Side Fan Duct Reverser
 JT9D-7R4 Engine Torque Right Hand Box Installation
 Figure 11 (Sheet 4)

71-11-32

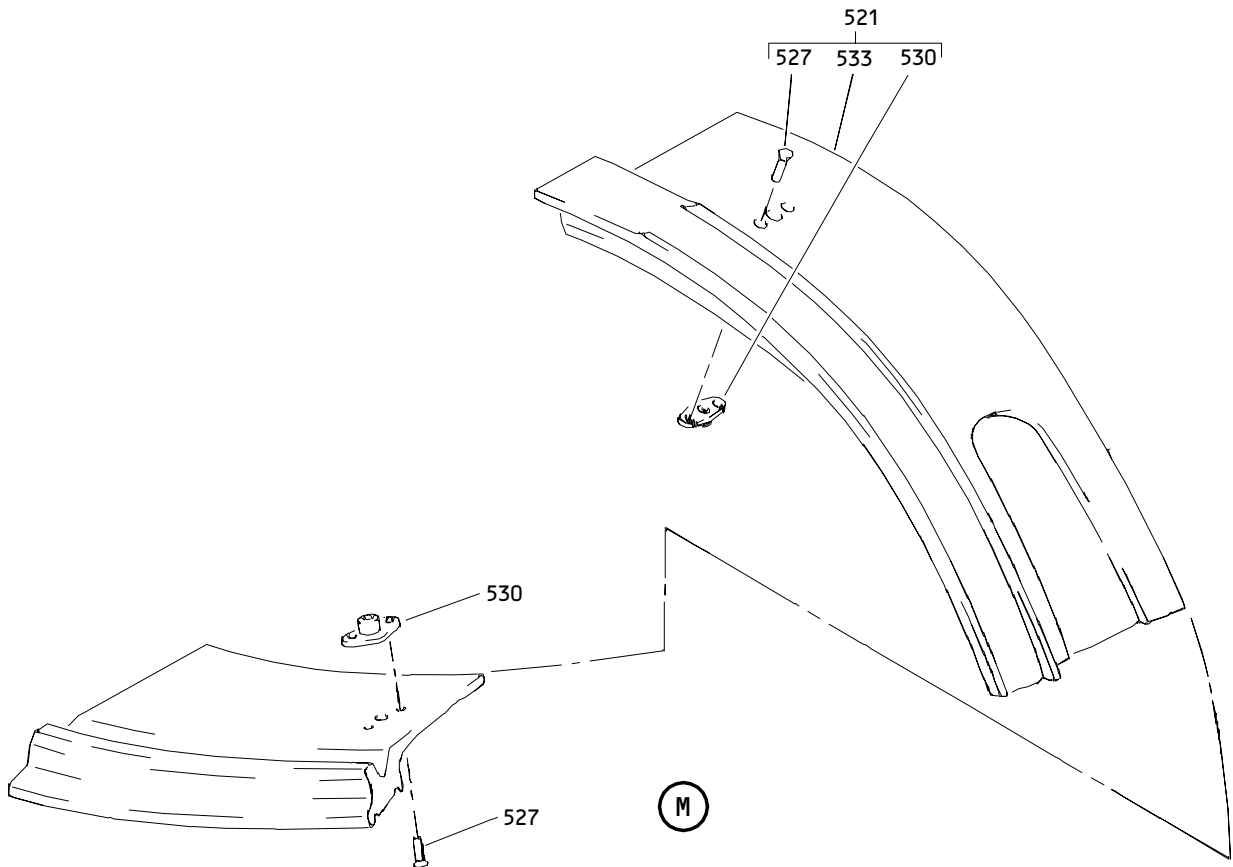
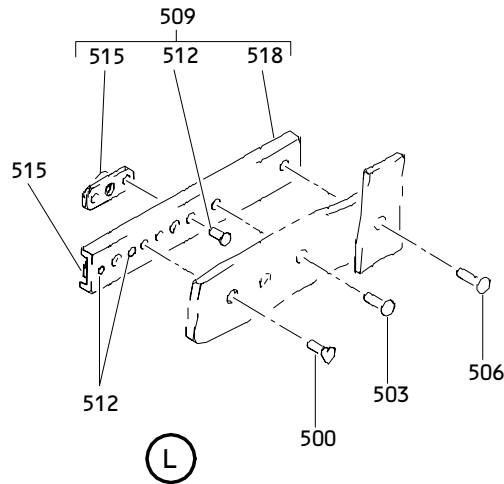
ILLUSTRATED PARTS LIST
 01.1 Page 1096F
 Jul 01/03



Engine Outboard and Inboard Side Fan Duct Reverser
 JT9D-7R4 Engine Torque Right Hand Box Installation
 Figure 11 (Sheet 5)

71-11-32

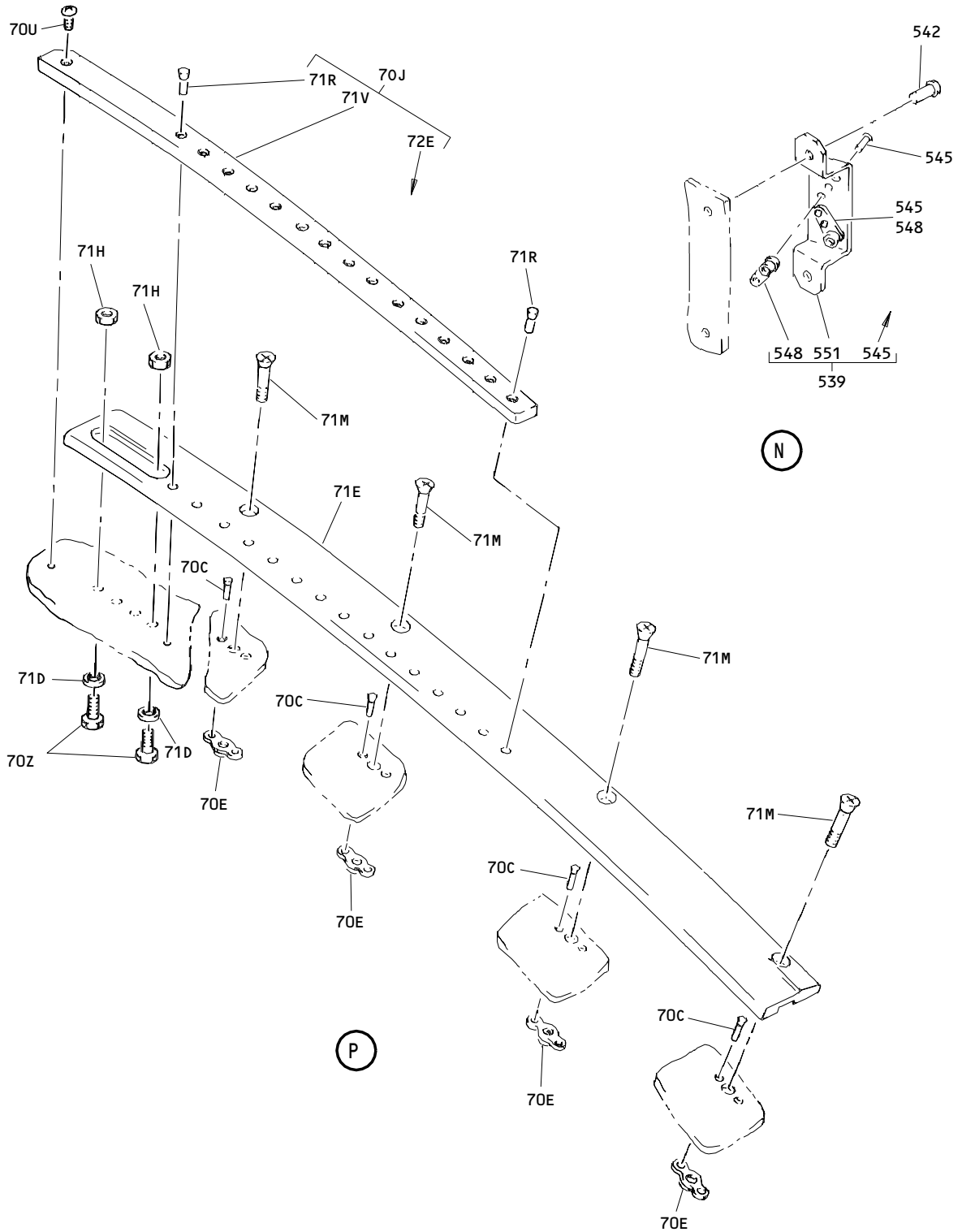
ILLUSTRATED PARTS LIST
 01.1 Page 1096G
 Jul 01/03



Engine Outboard and Inboard Side Fan Duct Reverser
 JT9D-7R4 Engine Torque Right Hand Box Installation
 Figure 11 (Sheet 6)

71-11-32

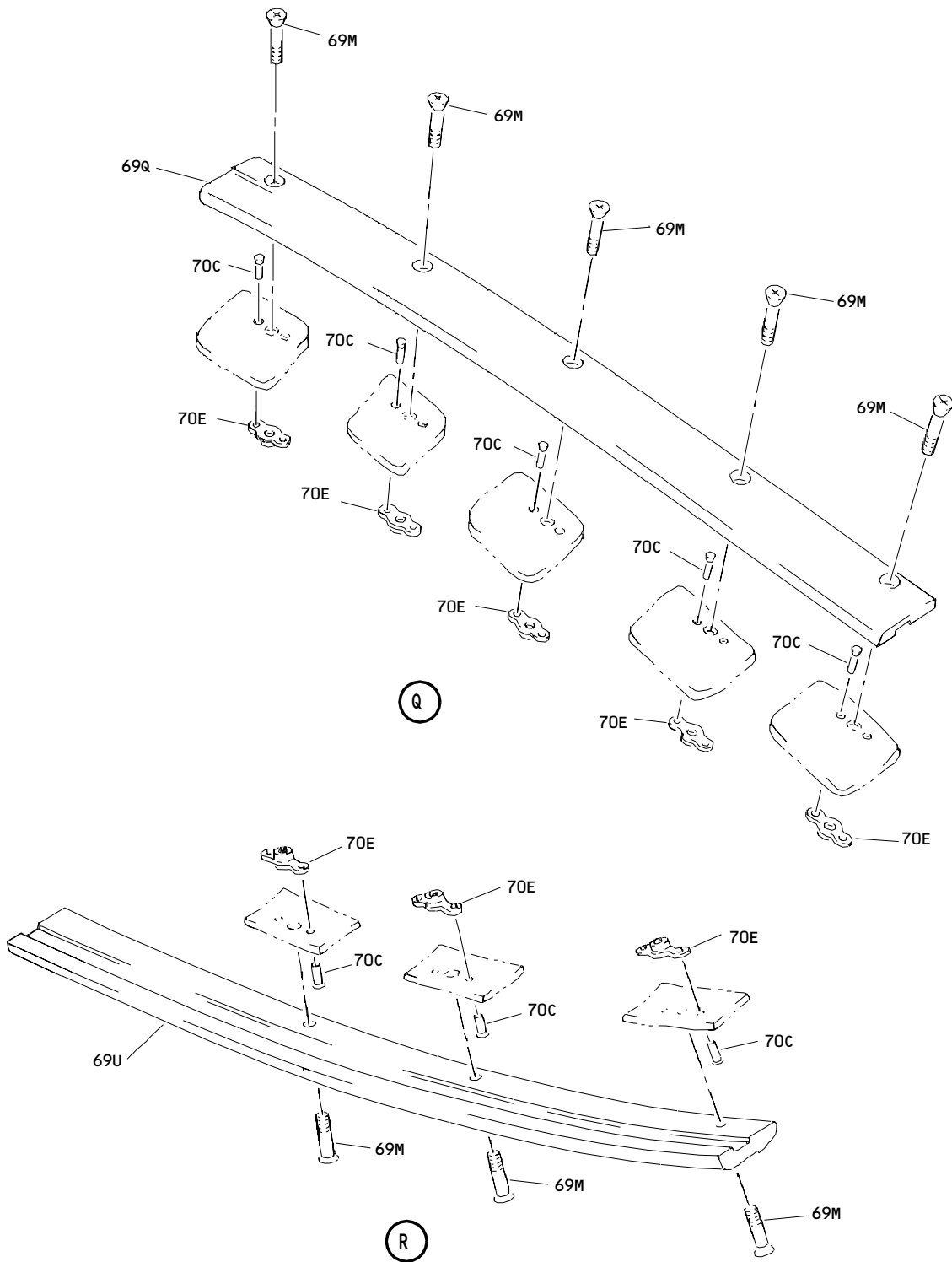
ILLUSTRATED PARTS LIST
 01.1 Page 1096H
 Jul 01/03



Engine Outboard and Inboard Side Fan Duct Reverser
JT9D-7R4 Engine Torque Right Hand Box Installation
Figure 11 (Sheet 7)

71-11-32

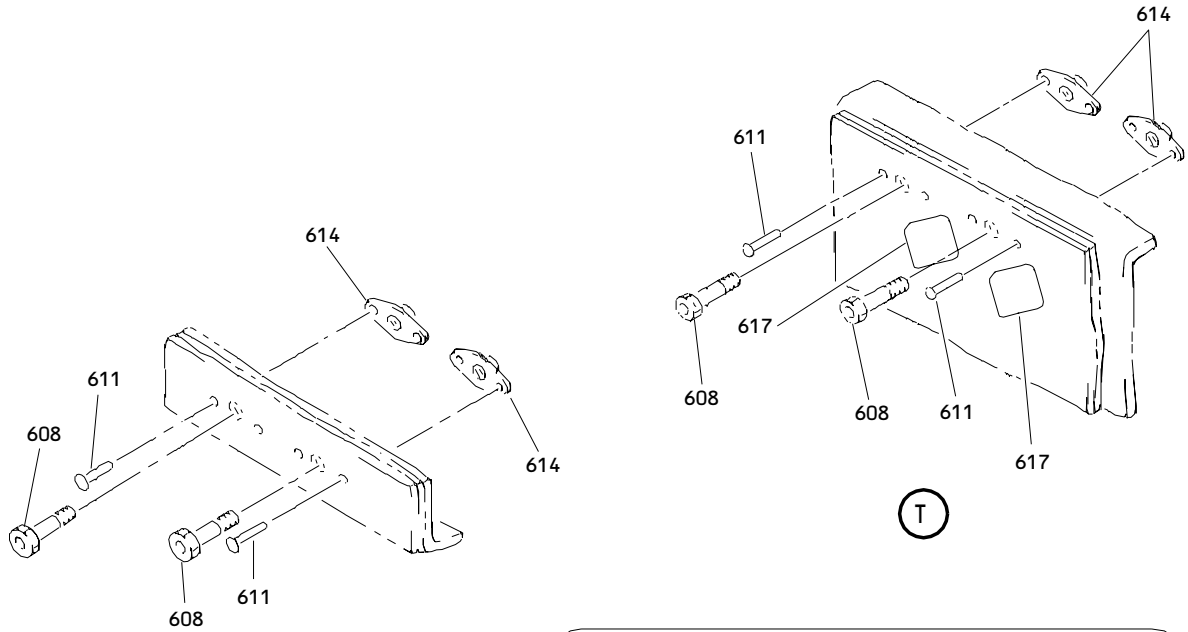
ILLUSTRATED PARTS LIST
01.1 Page 1096I
Jul 01/03



Engine Outboard and Inboard Side Fan Duct Reverser
 JT9D-7R4 Engine Torque Right Hand Box Installation
 Figure 11 (Sheet 8)

71-11-32

ILLUSTRATED PARTS LIST
 01.1 Page 1096J
 Jul 01/03



(S)

(T)

CAUTION

"THE INBOARD THRUST REVERSER HALVES MUST NOT BE OPENED UNLESS INBOARD LEADING EDGE SLATS ARE RETRACTED TO CRUISE POSITION AND PLACARDED AS FOLLOWS:

1. RETRACT INBOARD LEADING EDGE SLATS.
2. ATTACH DO-NOT-OPERATE IDENTIFIER TO FLAP CONTROL LEVER.
3. CHECK THAT ALTERNATE FLAP SLAT POSITION SELECTOR ON PILOTS OVERHEAD PANEL P5 IS IN NORM POSITION AND ATTACH DO-NOT-OPERATE IDENTIFIER.

IF EXTENSIVE ENGINE WORK IS BEING ACCOMPLISHED, IT MAY BE DESIRABLE TO DEACTIVATE THE PRIMARY AND ALTERNATE LEADING EDGE DRIVE SYSTEMS PER MM 27-81-00."

WARNING

DO NOT STAND BETWEEN THE FAN DUCT COWL AND THRUST REVERSER AND THE ENGINE UNLESS THE FAN DUCT COWL AND THRUST REVERSER IS SECURED WITH HOLD OPEN ROD. AN EXPOSED RED BAND WITH THE WORD "UNLOCKED" ON HOLD OPEN ROD INDICATES THE ROD IS NOT LOCKED. THE ROD MUST BE FULLY EXTENDED AND THE RED BAND MUST BE COVERED FOR THE ROD TO BE LOCKED. A SLING (LIFT) MUST BE USED PER MM 78-31-00 IN ADDITION TO HOLD OPEN ROD WHEN HYDRAULIC COWL OPENING SYSTEM IS INOPERATIVE. TOOL A78001 MUST BE USED IN CONJUNCTION WITH HYDRAULIC COWL OPENING SYSTEM WHEN ENGINE IS NOT INSTALLED. SERIOUS OR FATAL INJURY MAY OCCUR IF FAN DUCT COWL AND THRUST REVERSER SWINGS SHUT.

623

620

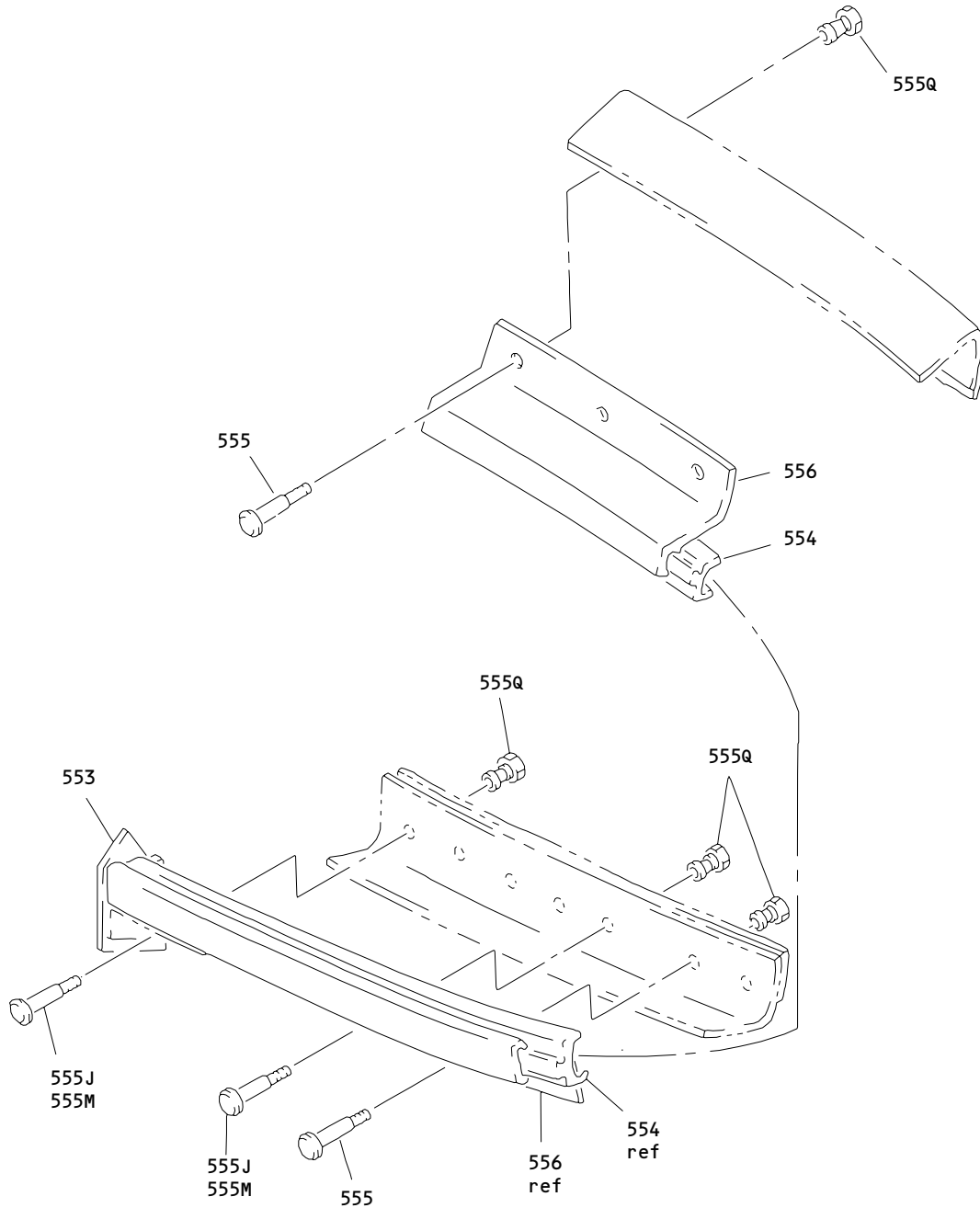
(U)

(V)

Engine Outboard and Inboard Side Fan Duct Reverser
 JT9D-7R4 Engine Torque Right Hand Box Installation
 Figure 11 (Sheet 9)

71-11-32

ILLUSTRATED PARTS LIST
 01.1 Page 1096K
 Jul 01/03



(W)

Engine Outboard and Inboard Side Fan Duct Reverser
 JT9D-7R4 Engine Torque Right Hand Box Installation
 Figure 11 (Sheet 10)

71-11-32

ILLUSTRATED PARTS LIST
 01.1 Page 1096L
 Jul 01/03


BOEING
 COMPONENT
 MAINTENANCE MANUAL

FIG. & ITEM	PART NO.	AIRLINE PART NUMBER	NOMENCLATURE 1234567	EFF CODE	QTY PER ASSY
11- -1	315T3202-115		BOX INSTL-ENG OUTBD AND INBD SIDE FAN DUCT REVERSER JT9D-7R4 ENG TORQUE LH	E,G	RF
-5	315T3202-116		BOX INSTL-ENG OUTBD AND INBD SIDE FAN DUCT REVERSER JT9D-7R4 ENG TORQUE RH	AC,AD	RF
-10	315T3202-5027		.COLLECTOR ASSY-LIMITED PART (LIMITED)	E,G	1
-10A	315T3202-5029		.COLLECTOR ASSY-LIMITED PART (LIMITED)	E,G	1
-10B	315T3202-5035		.COLLECTOR ASSY-LIMITED PART (LIMITED)	E,G	1
-10C	315T3202-5051		.COLLECTOR ASSY-LIMITED PART (LIMITED)	E,G	1
-10D	315T3202-5053		.COLLECTOR ASSY-LIMITED PART (LIMITED)	E,G	1
-10E	315T3202-5071		.COLLECTOR ASSY-LIMITED PART (LIMITED)	E,G	1
-10F	315T3202-5073		.COLLECTOR ASSY-LIMITED PART (LIMITED)	E,G	1
-10G	315T3202-5083		DELETED		

71-11-32

 ILLUSTRATED PARTS LIST
 01.1 Page 1096M
 Jul 01/03

FIG. & ITEM	PART NO.	AIRLINE PART NUMBER	NOMENCLATURE 1234567	EFF CODE	QTY PER ASSY
11- -15	315T3202-5028		.COLLECTOR ASSY-LIMITED PART (LIMITED)	AC,AD	1
-15A	315T3202-5030		.COLLECTOR ASSY-LIMITED PART (LIMITED)	AC,AD	1
-15B	315T3202-5036		.COLLECTOR ASSY-LIMITED PART (LIMITED)	AC,AD	1
-15C	315T3202-5044		.COLLECTOR ASSY-LIMITED PART (LIMITED)	AC,AD	1
-15D	315T3202-5052		.COLLECTOR ASSY-LIMITED PART (LIMITED)	AC,AD	1
-15E	315T3202-5054		.COLLECTOR ASSY-LIMITED PART (LIMITED)	AC,AD	1
-15F	315T3202-5072		.COLLECTOR ASSY-LIMITED PART (LIMITED)	AC,AD	1
-15G	315T3202-5074		.COLLECTOR ASSY-LIMITED PART (LIMITED)	AC,AD	1
-15H	315T3202-5084		DELETED		
20	315T3633-139		..BRACKET ASSY- (USED ON ITEM 10)	E,G	1
-20A	315T3633-149		..BRACKET ASSY- (USED ON ITEMS 10A, 10B, 10C, 10D, 10F)	E,G	1
-25	315T3633-138		..BRACKET ASSY- (USED ON ITEM 15)	AC,AD	1
-25A	315T3633-150		..BRACKET ASSY- (USED ON ITEMS 15A, 15B, 15C, 15D, 15E, 15G)	AC,AD	1

71-11-32

 ILLUSTRATED PARTS LIST
 01.1 Page 1096N
 Jul 01/03


BOEING
 COMPONENT
 MAINTENANCE MANUAL

FIG. & ITEM	PART NO.	AIRLINE PART NUMBER	NOMENCLATURE 1234567	EFF CODE	QTY PER ASSY
11-30	BACR15BB3AD		...RIVET- (SIZE DETERMINE ON INST)	E,G,A C,AD	4
35	BRF100C4M		...NUTPLATE- (V52828) (SPEC BACN10KB4CFM) (OPT F2001-4 (V15653)) (OPT T8113C428C (V11815)) (OPT VN151D1-048 (V92215)) (OPT 109F9207-4 (V72962)) (OPT F2001-4 (V15653))	E,G,A C,AD	2
37	HL10VAZ6-4		..BOLT- (V60516) (SPEC BACB30MY6K4) (OPT B30MY6K4 (V97928)) (USED ON ITEMS 10, 10A, 15, 15A)	E,G,A C,AD	3
38	HL79-6		..COLLAR- (V5M902) (SPEC BACC30M6) (OPT HL79-6 (V73197)) (OPT HL79-6 (V92215)) (OPT 66014-6 (V56878)) (OPT HL79-6 (V56878)) (USED ON ITEMS 10, 10A, 15, 15A)	E,G,A C,AD	3

71-11-32

ILLUSTRATED PARTS LIST

01.1 Page 10960

Jul 01/03

FIG. & ITEM	PART NO.	AIRLINE PART NUMBER	NOMENCLATURE 1234567	EFF CODE	QTY PER ASSY
11-39	315T3202-114		..ANGLE- (USED ON ITEMS 10, 10A, 15, 15A)	E,G,A C,AD	1
40	315T3245-1		..RETAINER ASSY- (USED ON ITEMS 10, 10A, 15, 15A)	E,G,A C,AD	1
45	BACR15BA5AD		..RIVET- (SIZE DETERMINE ON INST) -----*	E,G,A C,AD	4
50	MS21209F8-10		...INSERT	E,G,A C,AD	1
55	315T3245-2		...RETAINER	E,G,A C,AD	1
60	BACR15BA3AD		..RIVET- (LIMITED) (SIZE DETERMINE ON INST) (USED ON ITEMS 10B, 10C, 10D, 10E, 10F, 15B, 15C, 15D, 15E, 15F, 15G)	E,G,A C,AD	8
65	BRF100C3D		..NUTPLATE- (V52828) (SPEC BACN10KB3CFD) (OPT F51604-3 (V15653)) (OPT 102F9207P3 (V72962)) (OPT F51604-3 (V15653)) (USED ON ITEMS 10B, 10C, 10D, 10E, 10F, 15B, 15C, 15D, 15E, 15F, 15G)	E,G,A C,AD	4

71-11-32

 ILLUSTRATED PARTS LIST
 01.1 Page 1096P
 Jul 01/03


BOEING
 COMPONENT
 MAINTENANCE MANUAL

FIG. & ITEM	PART NO.	AIRLINE PART NUMBER	NOMENCLATURE 1234567	EFF CODE	QTY PER ASSY
11-66	HL10VAZ6-4		..BOLT- (V60516) (SPEC BACB30MY6K4) (OPT B30MY6K4 (V97928)) (USED ON ITEMS 10B, 10C, 10D, 10E, 10F)	E,G	1
-66A	HL10VAZ6-5		..BOLT- (V60516) (SPEC BACB30MY6K5) (OPT B30MY6K5 (V97928)) (USED ON ITEMS 15B, 15C, 15D, 15E, 15F, 15G)	AC,AD	1
67	HL10VAZ6-4		..BOLT- (V60516) (SPEC BACB30MY6K4) (OPT B30MY6K4 (V97928)) (USED ON ITEMS 10B, 10C, 10D, 10E, 10F, 15B, 15C, 15D, 15E, 15F, 15G)	E,G,A C,AD	5
68	HL79-6		..COLLAR- (V5M902) (SPEC BACC30M6) (OPT HL79-6 (V73197)) (OPT HL79-6 (V92215)) (OPT 66014-6 (V56878)) (OPT HL79-6 (V56878)) (USED ON ITEMS 10B, 10C, 10D, 10E, 10F, 15B, 15C, 15D, 15E, 15F, 15G)	E,G,A C,AD	6
69	315T3202-156		..BRACKET- (USED ON ITEMS 10B, 10C, 10D, 10E, 10F, 15B, 15C, 15D, 15E, 15F, 15G)	E,G,A C,AD	2
69M	BACB30LR3-6		..BOLT	E,G,A C,AD	28
69Q	315T3201-7		..STRIP-RUB	E,G,A C,AD	5
-69R	315T3201-32		DELETED		

71-11-32

ILLUSTRATED PARTS LIST

01.1 Page 1096Q

Jul 01/03

FIG. & ITEM	PART NO.	AIRLINE PART NUMBER	NOMENCLATURE 1234567	EFF CODE	QTY PER ASSY
11-69U	315T3201-10		..STRIP-RUB	E,G	1
-69V	315T3201-33		DELETED		
-70	315T3201-20		..STRIP-RUB (USED ON ITEMS 15, 15A)	AC,AD	1
-70A	315T3201-27		..STRIP-RUB (USED ON ITEMS 15B, 15C, 15D, 15E, 15F, 15G)	AC,AD	1
70C	BACR15BB3AD		..RIVET- (SIZE DETERMINE ON INST)	E,G,A C,AD	64
70E	F5000-3BAC		..NUTPLATE- (V15653) (SPEC BACN10JR3F) (OPT NS103203-02 (V80539)) (OPT RMF9201-3 (V72962)) (OPT T8091S1032 (V11815)) (OPT VN152A1-02 (V92215)) (OPT BRF200A3 (V52828))	E,G,A C,AD	32
70J	315T3201-28		..STRIP ASSY-RUB	E,G	1
-70K	315T3201-35		DELETED		
-70P	315T3201-29		..STRIP ASSY-RUB	AC,AD	1
-70R	315T3201-36		DELETED		
70U	BACB30LR3-5		ATTACHING PARTS ..BOLT- (OPT ITEM 70V)	E,G,A C,AD	1
-70V	BACB30LH3-5		..BOLT- (OPT ITEM 70U)	E,G,A C,AD	1
70Z	315T3637-1		..BOLT-SPECIAL	E,G,A C,AD	4
71D	AN960C10L		..WASHER	E,G,A C,AD	4

71-11-32

 ILLUSTRATED PARTS LIST
 01.1 Page 1096R
 Jul 01/03


BOEING
 COMPONENT
 MAINTENANCE MANUAL

FIG. & ITEM	PART NO.	AIRLINE PART NUMBER	NOMENCLATURE 1234567	EFF CODE	QTY PER ASSY
11-71H	H10-3BAC		..NUT- (V15653) (SPEC BACN10JC3) (OPT NS202101-02 (V80539)) (OPT RMLH9075-3W (V72962)) (OPT T6S1032J (V71087)) (OPT VN303A02 (V92215)) (OPT 96-02 (V80539)) (OPT BRH10A3 (V52828))	E,G,A C,AD	4
71M	BACB30LR3-6		..BOLT -----*-----	E,G,A C,AD	4
71R	BACR15BA5A		...RIVET- (SIZE DETERMINE ON INST)	E,G,A C,AD	15
71V	315T3201-30		...STRIP	E,G	1
-71W	315T3201-39		DELETED		
-72	315T3201-31		...STRIP	AC,AD	1
-72A	315T3201-40		DELETED		
72E	315T3201-25		...STRIP-RUB	E,G	1
-72F	315T3201-37		DELETED		
-72K	315T3201-26		...STRIP-RUB	AC,AD	1
-72L	315T3201-38		DELETED		
73	315T3634-2		..FITTING ASSY-ACTR ATTACH (USED ON ITEMS 10, 10A, 10B, 10C, 15, 15A, 15B, 15C, 15D)	E,G,A C,AD	2
-73A	315T3634-16		..FITTING ASSY-ACTR ATTACH (USED ON ITEMS 10D, 10E, 10F, 15E, 15F, 15G)	E,G,A C,AD	2
75	315T3634-10		..FITTING ASSY-ACTR ATTACH (USED ON ITEMS 10, 10A, 10B, 10C)	E,G	1
-75A	315T3634-18		..FITTING ASSY-ACTR ATTACH (USED ON ITEMS 10D, 10E, 10F)	E,G	1
-75K	315T3634-2		..FITTING ASSY-ACTR ATTACH (USED ON ITEMS 15, 15A, 15B, 15C, 15D)	AC,AD	1

71-11-32

ILLUSTRATED PARTS LIST

01.1 Page 1096S

Jul 01/03

FIG. & ITEM	PART NO.	AIRLINE PART NUMBER	NOMENCLATURE 1234567	EFF CODE	QTY PER ASSY
11-75L	315T3634-16		..FITTING ASSY-ACTR ATTACH (USED ON ITEMS 15E, 15F, 15G)	AC,AD	1
77	315T3634-1		..FITTING ASSY-ACTR ATTACH (USED ON ITEMS 10, 10A, 10B, 10C, 15, 15A, 15B, 15C, 15D)	E,G,A C,AD	2
-77A	315T3634-15		..FITTING ASSY-ACTR ATTACH (USED ON ITEMS 10D, 10E, 10F, 15E, 15F, 15G)	E,G,A C,AD	2
79	315T3634-1		..FITTING ASSY-ACTR ATTACH (USED ON ITEMS 10, 10A, 10B, 10C)	E,G	1
-79A	315T3634-15		..FITTING ASSY-ACTR ATTACH (USED ON ITEMS 10D, 10E 10F)	E,G	1
-79K	315T3634-11		..FITTING ASSY-ACTR ATTACH (USED ON ITEMS 15, 15A, 15B, 15C, 15D)	AC,AD	1
-79L	315T3634-17		..FITTING ASSY-ACTR ATTACH (USED ON ITEMS 15E, 15F, 15G)	AC,AD	1
81	HL10VAZ8-11		ATTACHING PARTS ..BOLT- (V60516) (SPEC BACB30MY8K11) (OPT B30MY8K11 (V97928))	E,G,A C,AD	4
83	HL10VAZ8-10		..BOLT- (V60516) (SPEC BACB30MY8K10) (OPT B30MY8K10 (V97928))	E,G,A C,AD	8

71-11-32

 ILLUSTRATED PARTS LIST
 01.1 Page 1096T
 Jul 01/03


BOEING
 COMPONENT
 MAINTENANCE MANUAL

FIG. & ITEM	PART NO.	AIRLINE PART NUMBER	NOMENCLATURE 1234567	EFF CODE	QTY PER ASSY
11-85	HL79-8		..COLLAR- (V5M902) (SPEC BACC30M8) (OPT HL79-8 (V73197)) (OPT HL79-8 (V92215)) (OPT 66014-8 (V56878)) (OPT HL79-8 (V56878))	E,G,A C,AD	12
87	BACR15CE6KE		..RIVET- (SIZE DETERMINE ON INST)	E,G,A C,AD	12
89	BACR15FT6KE		..RIVET- (SIZE DETERMINE ON INST)	E,G,A C,AD	36
91	HL10VAZ6-9		..BOLT- (V60516) (SPEC BACB30MY6K9) (OPT B30MY6K9 (V97928))	E,G,A C,AD	4
93	HL10VAZ6-8		..BOLT- (V60516) (SPEC BACB30MY6K8) (OPT B30MY6K8 (V97928))	E,G,A C,AD	8
95	HL79-6		..COLLAR- (V5M902) (SPEC BACC30M6) (OPT HL79-6 (V73197)) (OPT HL79-6 (V92215)) (OPT 66014-6 (V56878)) (OPT HL79-6 (V56878)) -----*	E,G,A C,AD	12

71-11-32

ILLUSTRATED PARTS LIST

01.1 Page 1096U

Jul 01/03

FIG. & ITEM	PART NO.	AIRLINE PART NUMBER	NOMENCLATURE 1234567	EFF CODE	QTY PER ASSY
11-97	MS21209F4-10P		...INSERT	E,G,A C,AD	1
99	BACB28AP07P038		...BUSHING	E,G,A C,AD	1
102	315T3634-4		...FITTING- (USED ON ITEM 73)	E,G,A C,AD	1
-102A	315T3634-20		...FITTING- (USED ON ITEM 73A)	E,G,A C,AD	1
104	315T3634-12		...FITTING- (USED ON ITEM 75)	E,G	1
-104A	315T3634-22		...FITTING- (USED ON ITEM 75A)	E,G	1
-106	315T3634-4		...FITTING- (USED ON ITEM 75K)	AC,AD	1
-106A	315T3634-20		...FITTING- (USED ON ITEM 75L)	AC,AD	1
108	315T3634-3		...FITTING- (USED ON ITEM 77)	E,G,A C,AD	1
-108A	315T3634-19		...FITTING- (USED ON ITEM 77A)	E,G,A C,AD	1
110	315T3634-3		...FITTING- (USED ON ITEM 79)	E,G	1
-110A	315T3634-19		...FITTING- (USED ON ITEM 79A)	E,G	1
-112	315T3634-13		...FITTING- (USED ON ITEM 79K)	AC,AD	1
-112A	315T3634-21		...FITTING- (USED ON ITEM 79L)	AC,AD	1
114	BACS40R11B22F		..SHIM	E,G,A C,AD	6
116	BACS40R09B21F		..SHIM	E,G,A C,AD	6
118	BACS40R17B33F		..SHIM	E,G,A C,AD	6
-150	315T3202-7001		.COLLECTOR ASSY-COMMON POINT	E,G	1

71-11-32

 ILLUSTRATED PARTS LIST
 01.1 Page 1096V
 Jul 01/03


BOEING
 COMPONENT
 MAINTENANCE MANUAL

FIG. & ITEM	PART NO.	AIRLINE PART NUMBER	NOMENCLATURE 1234567	EFF CODE	QTY PER ASSY
11- -155	315T3202-7002		.COLLECTOR ASSY-COMMON POINT	AC,AD	1
160	BACB30LJ3K5		..BOLT- (OPT ITEM 160A)	E,G,A C,AD	2
-160A	NAS6703A5		..BOLT- (OPT ITEM 160)	E,G,A C,AD	2
165	AN960PD10		..WASHER	E,G,A C,AD	2
170	H10-3BAC		..NUT- (V15653) (SPEC BACN10JC3) (OPT NS202101-02 (V80539)) (OPT RMLH9075-3W (V72962)) (OPT T6S1032J (V71087)) (OPT VN303A02 (V92215)) (OPT 96-02 (V80539)) (OPT BRH10A3 (V52828))	E,G,A C,AD	2
175	HL10VAZ6-5		..BOLT- (V60516) (SPEC BACB30MY6K5) (OPT B30MY6K5 (V97928))	E,G,A C,AD	4
180	HL79-6		..COLLAR- (V5M902) (SPEC BACC30M6) (OPT HL79-6 (V73197)) (OPT HL79-6 (V92215)) (OPT 66014-6 (V56878)) (OPT HL79-6 (V56878))	E,G,A C,AD	4
185	BACR15FT6KE		..RIVET- (SIZE DETERMINE ON INST)	E,G,A C,AD	8
190	BACF3F009D009NN		..FILLER	E,G,A C,AD	2
195	BACF3F009L046NN		..FILLER	E,G,A C,AD	2

71-11-32

ILLUSTRATED PARTS LIST

01.1 Page 1096W

Jul 01/03

FIG. & ITEM	PART NO.	AIRLINE PART NUMBER	NOMENCLATURE 1234567	EFF CODE	QTY PER ASSY
11-200	HL10VAZ6-4		..BOLT- (V60516) (SPEC BACB30MY6K4) (OPT B30MY6K4 (V97928))	E,G,A C,AD	7
205	HL10VAZ6-5		..BOLT- (V60516) (SPEC BACB30MY6K5) (OPT B30MY6K5 (V97928))	E,G,A C,AD	9
207	MS21141-0605P		..FASTENER	E,G,A C,AD	8
210	L8006K6		..BOLT- (V06725) (SPEC BACB30MY6K6) (OPT HL10VAZ6-6 (VOPTK6))	E,G,A C,AD	1
212	MS21141-0606P		..FASTENER	E,G,A C,AD	2
215	HL79-6		..COLLAR- (V5M902) (SPEC BACC30M6) (OPT HL79-6 (V73197)) (OPT HL79-6 (V92215)) (OPT 66014-6 (V56878)) (OPT HL79-6 (V56878))	E,G,A C,AD	17

71-11-32

 ILLUSTRATED PARTS LIST
 01.1 Page 1096X
 Jul 01/03


BOEING
 COMPONENT
 MAINTENANCE MANUAL

FIG. & ITEM	PART NO.	AIRLINE PART NUMBER	NOMENCLATURE 1234567	EFF CODE	QTY PER ASSY
11-220	HL10VAZ8-6		..BOLT- (V60516) (SPEC BACB30MY8K6) (OPT B30MY8K6 (V97928))	E,G,A C,AD	1
225	HL10VAZ8-7		..BOLT- (V60516) (SPEC BACB30MY8K7) (OPT B30MY8K7 (V97928))	E,G,A C,AD	1
230	HL79-8		..COLLAR- (V5M902) (SPEC BACC30M8) (OPT HL79-8 (V73197)) (OPT HL79-8 (V92215)) (OPT 66014-8 (V56878)) (OPT HL79-8 (V56878))	E,G,A C,AD	2
235	BACB30NR4K7		..BOLT	E,G,A C,AD	1
240	AN960PD416L		..WASHER	E,G,A C,AD	1
245	BRH10A4		..NUT- (V52828) (SPEC BACN10JC4) (OPT T6S428J (V11815)) (OPT 96-048 (V80539)) (OPT VN303A048 (V92215)) (OPT RMLH9075-4W (V72962)) (OPT NS202101-048 (V80539)) (OPT H10-4BAC (V15653))	E,G,A C,AD	1

71-11-32

ILLUSTRATED PARTS LIST

01.1 Page 1096Y

Jul 01/03

FIG. & ITEM	PART NO.	AIRLINE PART NUMBER	NOMENCLATURE 1234567	EFF CODE	QTY PER ASSY
11-					
250	315T3634-2		DELETED		
255	315T3634-10		DELETED		
-260	315T3634-2		DELETED		
265	315T3634-1		DELETED		
270	315T3634-1		DELETED		
-275	315T3634-11		DELETED		
			ATTACHING PARTS		
280	BACB30MY8K11		DELETED		
285	BACB30MY8K10		DELETED		
290	BACC30M8		DELETED		
295	BACR15FT6KE		DELETED		
300	BACB30MY6K9		DELETED		
305	BACB30MY6K8		DELETED		
310	BACC30M6		DELETED		
315	MS21209F4-10P		DELETED		
320	BACB28AP07P038		DELETED		
325	315T3634-4		DELETED		
-330	315T3634-12		DELETED		
-335	315T3634-4		DELETED		
-340	315T3634-3		DELETED		
-345	315T3634-3		DELETED		
-350	315T3634-13		DELETED		
355	BACS40R11B22F		DELETED		
360	BACS40R09B21F		DELETED		
365	BACS40R17B33F		DELETED		
370	315T3730-7		..FITTING ASSY-SPRT	E,G	1
-375	315T3730-2		..FITTING ASSY-SPRT	AC,AD	1

71-11-32

 ILLUSTRATED PARTS LIST
 01.1 Page 1096Z
 Jul 01/03


BOEING
 COMPONENT
 MAINTENANCE MANUAL

FIG. & ITEM	PART NO.	AIRLINE PART NUMBER	NOMENCLATURE 1234567	EFF CODE	QTY PER ASSY
11-380	HL1012AZ6-6		..BOLT- (V97928) (SPEC BACB30NX6K6) (OPT HL12VAZ6-6 (V73197)) (OPT HL12VAZ6-6 (V92215)) (OPT HL12VAZ6-6 (V97928)) (OPT L802-6K6 (V06725)) (OPT HL12VAZ6-6 (V56878)) (OPT HL1012AZ6-6 (V0PTK6)) (OPT HL1012AZ6-6 (V06725)) (OPT HL1012AZ6-6 (V06950)) (OPT HL1012AZ6-6 (V17446)) (OPT HL1012AZ6-6 (V56878)) (OPT HL1012AZ6-6 (V60516)) (OPT HL1012AZ6-6 (V73197))	E,G,A C,AD	4

71-11-32

ILLUSTRATED PARTS LIST

01.1

Page 1097

Jul 01/03

FIG. & ITEM	PART NO.	AIRLINE PART NUMBER	NOMENCLATURE 1234567	EFF CODE	QTY PER ASSY
11-385	HL1012AZ6-8		..BOLT- (V97928) (SPEC BACB30NX6K8) (OPT HL12VAZ6-8 (V73197)) (OPT HL12VAZ6-8 (V92215)) (OPT HL12VAZ6-8 (V97928)) (OPT L802-6K8 (V06725)) (OPT HL12VAZ6-8 (V56878)) (OPT HL1012AZ6-8 (V0PTK6)) (OPT HL1012AZ6-8 (V06725)) (OPT HL1012AZ6-8 (V06950)) (OPT HL1012AZ6-8 (V17446)) (OPT HL1012AZ6-8 (V56878)) (OPT HL1012AZ6-8 (V60516)) (OPT HL1012AZ6-8 (V73197))	E,G,A C,AD	12
390	HL1187DU6		..COLLAR- (V5M902) (SPEC BACC30X6S) (OPT HL87DU6 (V73197)) (OPT HL87DU6 (V92215)) (OPT HL1187DU6 (V56878)) (OPT HL1187DU6 (V92215)) (OPT HL87DU6 (V56878)) (OPT HL1187DU6 (V73197)) (OPT ITEM 390A)	E,G,A C,AD	16

71-11-32

ILLUSTRATED PARTS LIST

01.1

Page 1098

Jul 01/03


BOEING
 COMPONENT
 MAINTENANCE MANUAL

FIG. & ITEM	PART NO.	AIRLINE PART NUMBER	NOMENCLATURE 1234567	EFF CODE	QTY PER ASSY
11- -390A	HL1187-6		..COLLAR- (V5M902) (SPEC BACC30X6) (OPT HL87-6 (V73197)) (OPT HL87-6 (V92215)) (OPT HL1187-6 (V56878)) (OPT HL1187-6 (V92215)) (OPT HL87-6 (V56878)) (OPT HL1187-6 (V73197)) (OPT ITEM 390) -----*	E,G,A C,AD	16
395	BACR15BB5AD		...RIVET- (SIZE DETERMINE ON INST)	AC,AD	6
400	BACR15BB5AD		...RIVET- (SIZE DETERMINE ON INST)	E,G	4
405	HL441UC5-4		...BOLT- (V60516) (SPEC BACB30FM5A4) (OPT HL440UC5-4 (V73197)) (OPT HL440UC5-4 (V92215)) (OPT HL440UC5-4 (V97928)) (OPT HL440UC5-4 (V80539)) (OPT WC130-5-4 (V60516)) (OPT 67067-5A4 (V56878)) (OPT L8055A4 (V06725)) (OPT HL440UC5-4 (V56878))	E,G	2
410	315T3633-112		...BRACKET ASSY	E,G	1
415	BACB28AP04P022		...BUSHING	E,G,A C,AD	1
420	BACB28AP06P022		...BUSHING	E,G,A C,AD	1

71-11-32

 ILLUSTRATED PARTS LIST
 01.1 Page 1098A
 Jul 01/03

FIG. & ITEM	PART NO.	AIRLINE PART NUMBER	NOMENCLATURE 1234567	EFF CODE	QTY PER ASSY
11-425	HL1012AZ6-6		...BOLT- (V97928) (SPEC BACB30NX6K6) (OPT HL12VAZ6-6 (V73197)) (OPT HL12VAZ6-6 (V92215)) (OPT HL12VAZ6-6 (V97928)) (OPT L802-6K6 (V06725)) (OPT HL12VAZ6-6 (V56878)) (OPT HL1012AZ6-6 (V0PTK6)) (OPT HL1012AZ6-6 (V06725)) (OPT HL1012AZ6-6 (V06950)) (OPT HL1012AZ6-6 (V17446)) (OPT HL1012AZ6-6 (V56878)) (OPT HL1012AZ6-6 (V60516)) (OPT HL1012AZ6-6 (V73197))	E,G,A C,AD	2
430	NAS43DD3-8		...SPACER	E,G,A C,AD	2
435	BACW10P69S		...WASHER	E,G,A C,AD	2

71-11-32

 ILLUSTRATED PARTS LIST
 01.1 Page 1098B
 Jul 01/03


BOEING
 COMPONENT
 MAINTENANCE MANUAL

FIG. & ITEM	PART NO.	AIRLINE PART NUMBER	NOMENCLATURE 1234567	EFF CODE	QTY PER ASSY
11-440	HL1187DUW6		...COLLAR- (V5M902) (SPEC BACC30X6SW) (OPT HL87DUW6 (V73197)) (OPT HL87DUW6 (V92215)) (OPT HL1187DUW6 (V56878)) (OPT HL1187DUW6 (V92215)) (OPT HL87DUW6 (V56878)) (OPT HL1187DUW6 (V73197))	E,G,A C,AD	2
445	315T3730-3		...BRACKET	E,G	1
-450	315T3730-4		...BRACKET	AC,AD	1
455	315T3633-113		..BRACKET ASSY	E,G	1
-460	315T3633-114		..BRACKET ASSY ATTACHING PARTS	AC,AD	1
465	HL10VAZ6-12		..BOLT- (V60516) (SPEC BACB30MY6K12) (OPT B30MY6K12 (V97928))	E,G,A C,AD	2
470	HL79-6		..COLLAR- (V5M902) (SPEC BACC30M6) (OPT HL79-6 (V73197)) (OPT HL79-6 (V92215)) (OPT 66014-6 (V56878)) (OPT HL79-6 (V56878))	E,G,A C,AD	2

71-11-32

ILLUSTRATED PARTS LIST

01.1 Page 1098C

Jul 01/03

FIG. & ITEM	PART NO.	AIRLINE PART NUMBER	NOMENCLATURE 1234567	EFF CODE	QTY PER ASSY
11-475	HL1012AZ6-12		..BOLT- (V97928) (SPEC BACB30NX6K12) (OPT L802-6K12 (V06725)) (OPT HL12VAZ6-12 (V73197)) (OPT HL12VAZ6-12 (V92215)) (OPT HL12VAZ6-12 (V97928)) (OPT HL12VAZ6-12 (V56878)) (OPT HL1012AZ6-12 (V0PTK6)) (OPT HL1012AZ6-12 (V06725)) (OPT HL1012AZ6-12 (V06950)) (OPT HL1012AZ6-12 (V17446)) (OPT HL1012AZ6-12 (V56878)) (OPT HL1012AZ6-12 (V60516)) (OPT HL1012AZ6-12 (V73197))	E,G,A C,AD	2
480	HL1187DU6		..COLLAR- (V5M902) (SPEC BACC30X6S) (OPT HL87DU6 (V73197)) (OPT HL87DU6 (V92215)) (OPT HL1187DU6 (V56878)) (OPT HL1187DU6 (V92215)) (OPT HL87DU6 (V56878)) (OPT HL1187DU6 (V73197)) (OPT ITEM 480A)	E,G,A C,AD	2

71-11-32

ILLUSTRATED PARTS LIST

01.1 Page 1098D

Jul 01/03


BOEING
 COMPONENT
 MAINTENANCE MANUAL

FIG. & ITEM	PART NO.	AIRLINE PART NUMBER	NOMENCLATURE 1234567	EFF CODE	QTY PER ASSY
11-480A	HL1187-6		..COLLAR- (V5M902) (SPEC BACC30X6) (OPT HL87-6 (V73197)) (OPT HL87-6 (V92215)) (OPT HL1187-6 (V56878)) (OPT HL1187-6 (V92215)) (OPT HL87-6 (V56878)) (OPT HL1187-6 (V73197)) (OPT ITEM 480)	E,G,A C,AD	2
485	BACR15FT6KE		..RIVET- (SIZE DETERMINE ON INST)	E,G,A C,AD	18
490	315T3202-43		..FILLER-RADIUS	E,G,A C,AD	4
495	315T3202-44		..FILLER -----*-----	E,G,A C,AD	4
500	BACR15CE5KE		...RIVET- (SIZE DETERMINE ON INST)	E,G,A C,AD	1
503	BACR15BB5AD		...RIVET- (SIZE DETERMINE ON INST)	E,G,A C,AD	1
506	BACR15BB6AD		...RIVET- (SIZE DETERMINE ON INST)	E,G,A C,AD	1
509	315T3633-98		...STIFFENER ASSY	E,G,A C,AD	1
512	BACR15BA3AD	RIVET- (SIZE DETERMINE ON INST)	E,G,A C,AD	4

71-11-32

 ILLUSTRATED PARTS LIST
 01.1 Page 1098E
 Jul 01/03

FIG. & ITEM	PART NO.	AIRLINE PART NUMBER	NOMENCLATURE 1234567	EFF CODE	QTY PER ASSY
11-515	BRF200C3M	NUTPLATE- (V52828) (SPEC BACN10JR3CFM) (OPT F5001-3BAC (V15653)) (OPT NS103203SE02 (V80539)) (OPT T8092C1032 (V11815)) (OPT VN152D1-02 (V92215)) (OPT 109F9201-3 (V72962))	E,G,A C,AD	2
518	315T3633-99	STIFFENER	E,G,A C,AD	1
521	315T3206-19		..FITTING ASSY-V GROOVE (OPT ITEM 521A)	E,G	1
-521A	315T3206-29		..FITTING ASSY-V GROOVE (OPT ITEM 521)	E,G	1
-524	315T3206-30		..FITTING ASSY-V GROOVE	AC,AD	1
527	BACR15CE3D		...RIVET- (SIZE DETERMINE ON INST)	E,G,A C,AD	24
530	NS103191SE02-2		...NUTPLATE- (V80539) (SPEC BACN10KE3B2CM) (OPT F51747-3-2DL (V15653)) (OPT 104F9213-2-3 (V72962)) (OPT 104F9213-2-3 (V72962))	E,G,A C,AD	12
533	315T3206-21		...FITTING- (USED ON ITEM 521)	E,G	1
-533A	315T3206-27		...FITTING- (USED ON ITEM 521A)	E,G	1
-536	315T3206-28		...FITTING	AC,AD	1
539	315T3704-1		..BRACKET ASSY	E,G,A C,AD	1
542	NAS1398CW6-5		ATTACHING PARTS ..RIVET	E,G,A C,AD	2
545	BACR15BA3AD2		-----*----- ...RIVET	E,G,A C,AD	4

71-11-32

 ILLUSTRATED PARTS LIST
 01.1 Page 1098F
 Jul 01/03


BOEING
 COMPONENT
 MAINTENANCE MANUAL

FIG. & ITEM	PART NO.	AIRLINE PART NUMBER	NOMENCLATURE 1234567	EFF CODE	QTY PER ASSY
11-548	BR1000A3		...NUTPLATE- (V52828) (SPEC BACN10KB3) (OPT K2000-3 (V15653)) (OPT RMA9207-3 (V72962)) (OPT T8109S1032 (V11815)) (OPT VN101A1-02 (V92215)) (OPT K2000-3 (V15653))	E,G,A C,AD	2
551	315T3704-2		...BRACKET	E,G,A C,AD	1
552	BACR15CE5KE		DELETED		
553	315T3202-104		..SEAL	E,G	1
554	315T3202-100		..SEAL	E,G,A C,AD	1
555	HL10VAZ5-3		..BOLT- (V60516) (SPEC BACB30MY5K3) (OPT B30MY5K3 (V97928))	E,G,A C,AD	175
555J	HL10VAZ5-3		..BOLT- (V60516) (SPEC BACB30MY5K3) (OPT B30MY5K3 (V97928))	E,G	5
555M	HL10VAZ5-4		..BOLT- (V60516) (SPEC BACB30MY5K4) (OPT B30MY5K4 (V97928))	AC,AD	5
555Q	HL79-5		..COLLAR- (V5M902) (SPEC BACC30M5) (OPT HL70-5 (V73197)) (OPT HL70-5 (V92215)) (OPT 66014-5 (V56878)) (OPT HL70-5 (V56878))	E,G,A C,AD	180

71-11-32

ILLUSTRATED PARTS LIST

01.1 Page 1098G

Jul 01/03

FIG. & ITEM	PART NO.	AIRLINE PART NUMBER	NOMENCLATURE 1234567	EFF CODE	QTY PER ASSY
11-					
556	315T3202-101		..RETAINER-SEAL	E,G	1
-556J	315T3202-102		..RETAINER-SEAL	AC,AD	1
557	315T3201-28		DELETED		
-560	315T3201-29		DELETED		
			ATTACHING PARTS		
563	BACB30LR3-5		DELETED		
-563A	BACB30LH3-5		DELETED		
566	315T3637-1		DELETED		
569	AN960C10L		DELETED		
572	H10-3BAC		DELETED		
575	BACB30LR3-6		DELETED		
578	BACR15BA5A		DELETED		
581	315T3201-30		DELETED		
-584	315T3201-31		DELETED		
587	315T3201-25		DELETED		
-590	315T3201-26		DELETED		
593	BACB30LR3-6		DELETED		
596	315T3201-7		DELETED		
599	315T3201-10		DELETED		
602	BACR15BB3AD		DELETED		
605	F5000-3BAC		DELETED		
608	BACB30LJ4-3		..BOLT	E,G,A C,AD	6
611	BACR15BB3AD		..RIVET- (SIZE DETERMINE ON INST)	E,G,A C,AD	12
614	BRFM20C4M		..NUTPLATE- (V52828) (SPEC BACN10JN4CM) (OPT MF1001-4BAC (V15653)) (OPT NS103218SE048 (V80539)) (OPT VN252D048 (V92215)) (OPT 109F9201M4 (V72962)) (OPT T8125C4C (V11815)) (OPT T8125C4C (V11815))	E,G,A C,AD	6

71-11-32

 ILLUSTRATED PARTS LIST
 01.1 Page 1098H
 Jul 01/03

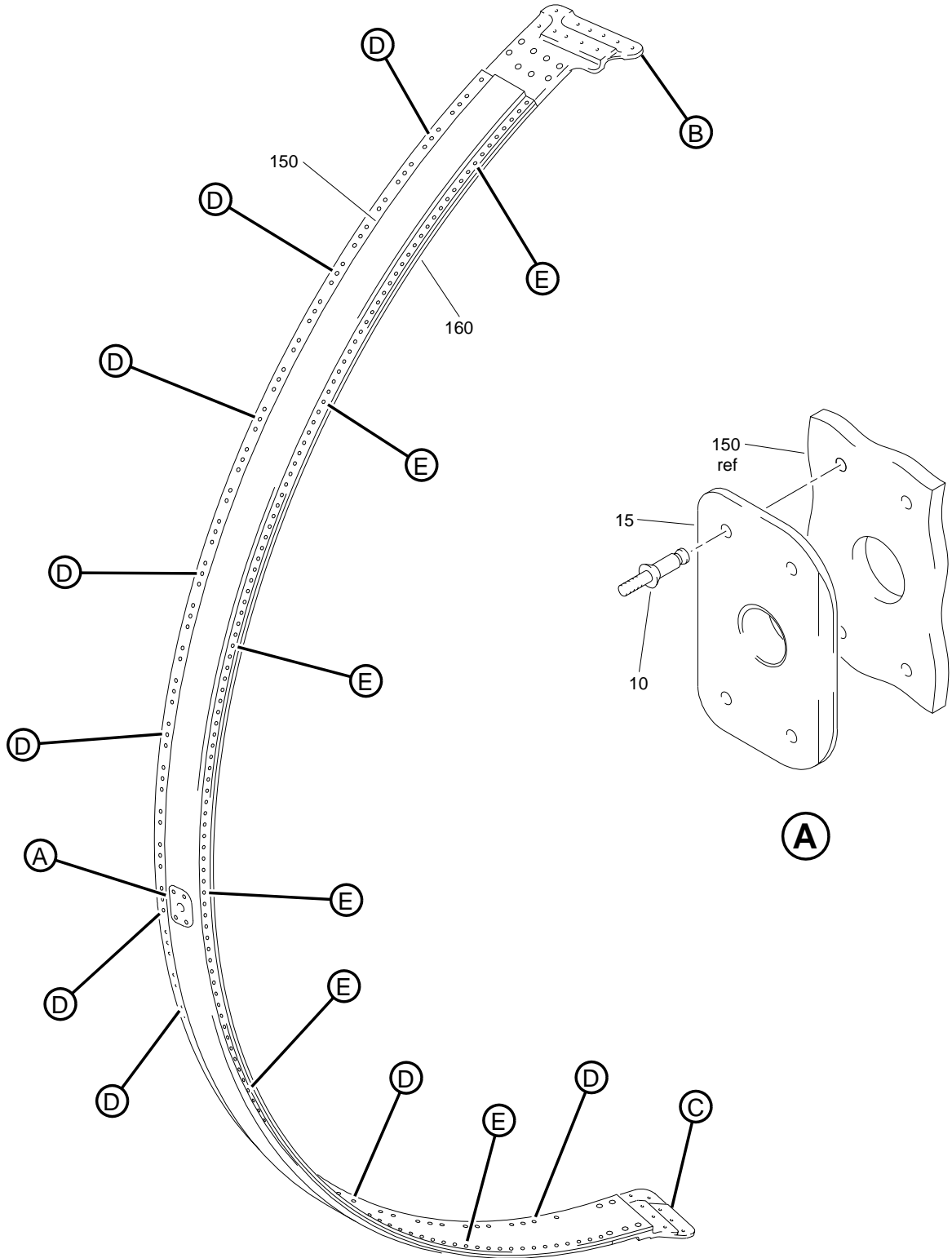

BOEING
 COMPONENT
 MAINTENANCE MANUAL

FIG. & ITEM	PART NO.	AIRLINE PART NUMBER	NOMENCLATURE 1234567	EFF CODE	QTY PER ASSY
11-617	BAC27TTR0025		..MARKER-ALUMINUM FOIL-GSE HOIST POINT	E,G,A C,AD	6
620	BAC27TTR0036		..MARKER-ALUMINUM FOIL	E,G,A C,AD	1
623	BAC27TTR0042		..MARKER-ALUMINUM FOIL	E,G,A C,AD	1
626	BAC27TPP0209		..MARKER-ALUMINUM FOIL- GD 4350S	E,G	1
-629	BAC27TPP0213		..MARKER-ALUMINUM FOIL- GD 4352S	AC,AD	1
632	BAC27TPP0210		..MARKER-ALUMINUM FOIL- GD 4346S	E,G	1
-635	BAC27TPP0214		..MARKER-ALUMINUM FOIL- GD 4348S	AC,AD	1
638	BAC27TPP0211		..MARKER-ALUMINUM FOIL- GD 4342S	E,G	1
-641	BAC27TPP0215		..MARKER-ALUMINUM FOIL- GD 4344S	AC,AD	1
644	BAC27TPP0217		..MARKER-ALUMINUM FOIL- GD 4334S	E,G	1
-647	BAC27TPP0218		..MARKER-ALUMINUM FOIL- GD 4336S	AC,AD	1

- Item Not Illustrated

71-11-32

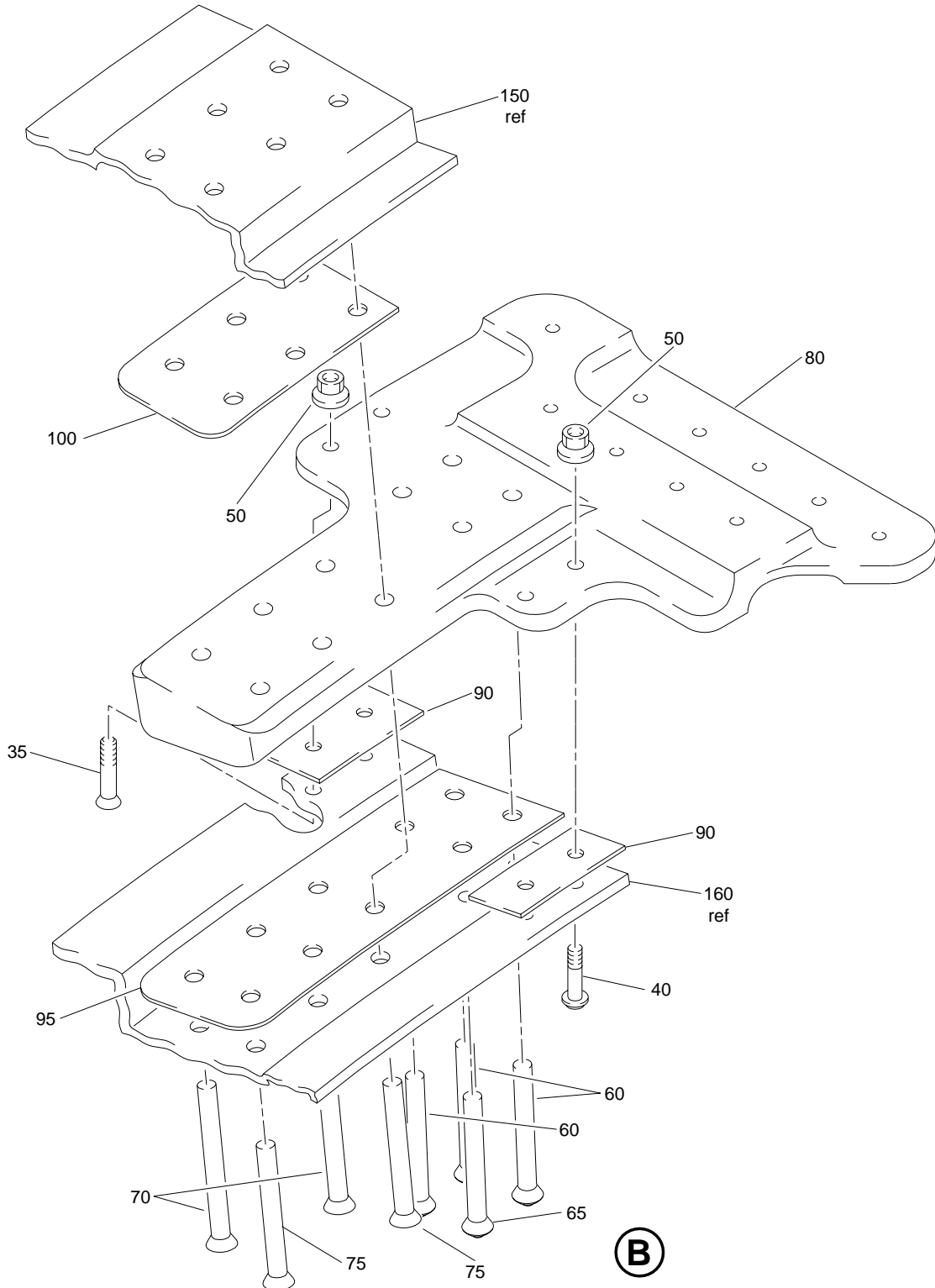
ILLUSTRATED PARTS LIST
 01.1 Page 1098I
 Jul 01/03



Cascade Support Ring Assembly
Figure 12 (Sheet 1)

71-11-32

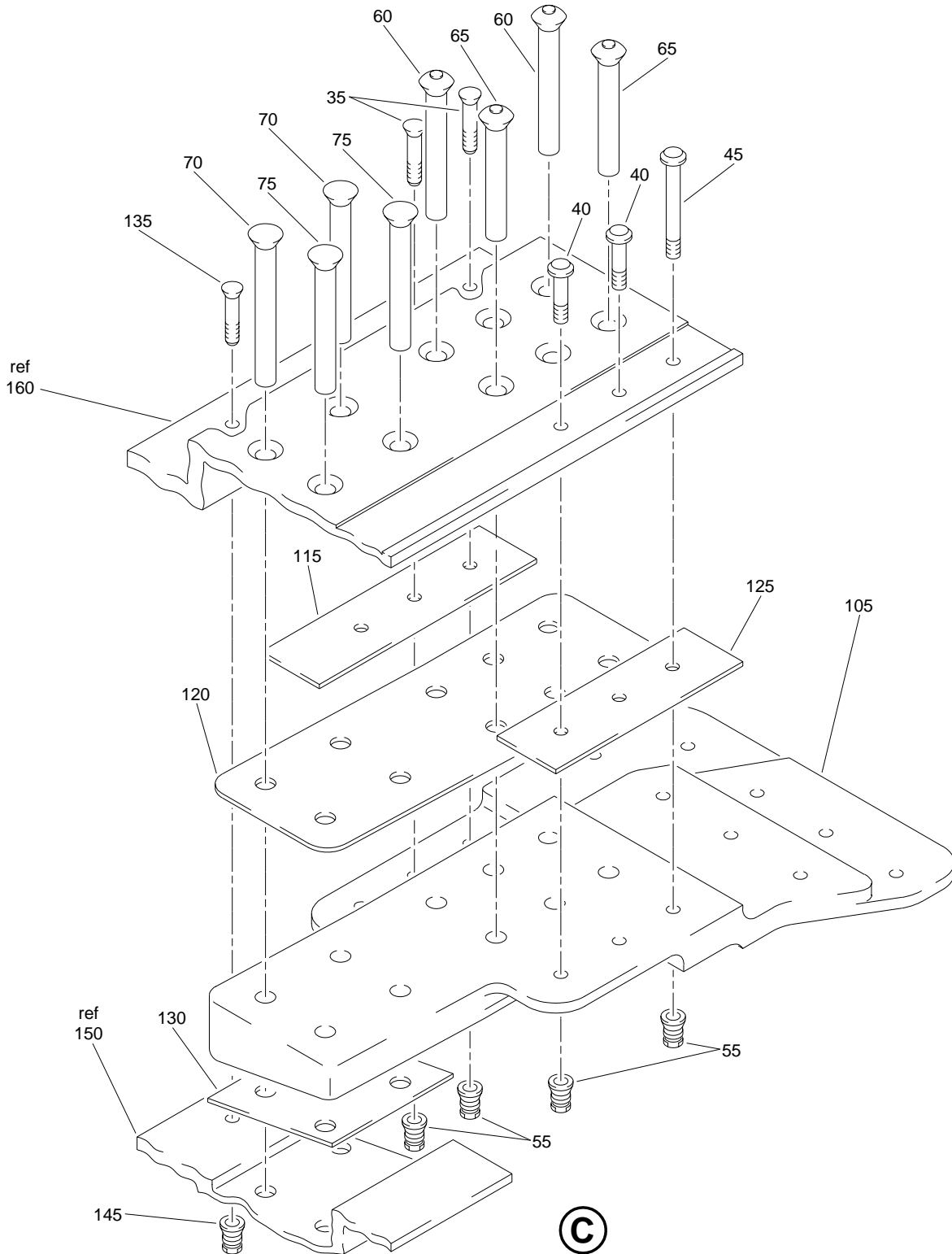
ILLUSTRATED PARTS LIST
01.1 Page 1098K
Jul 01/03



Cascade Support Ring Assembly
Figure 12 (Sheet 2)

71-11-32

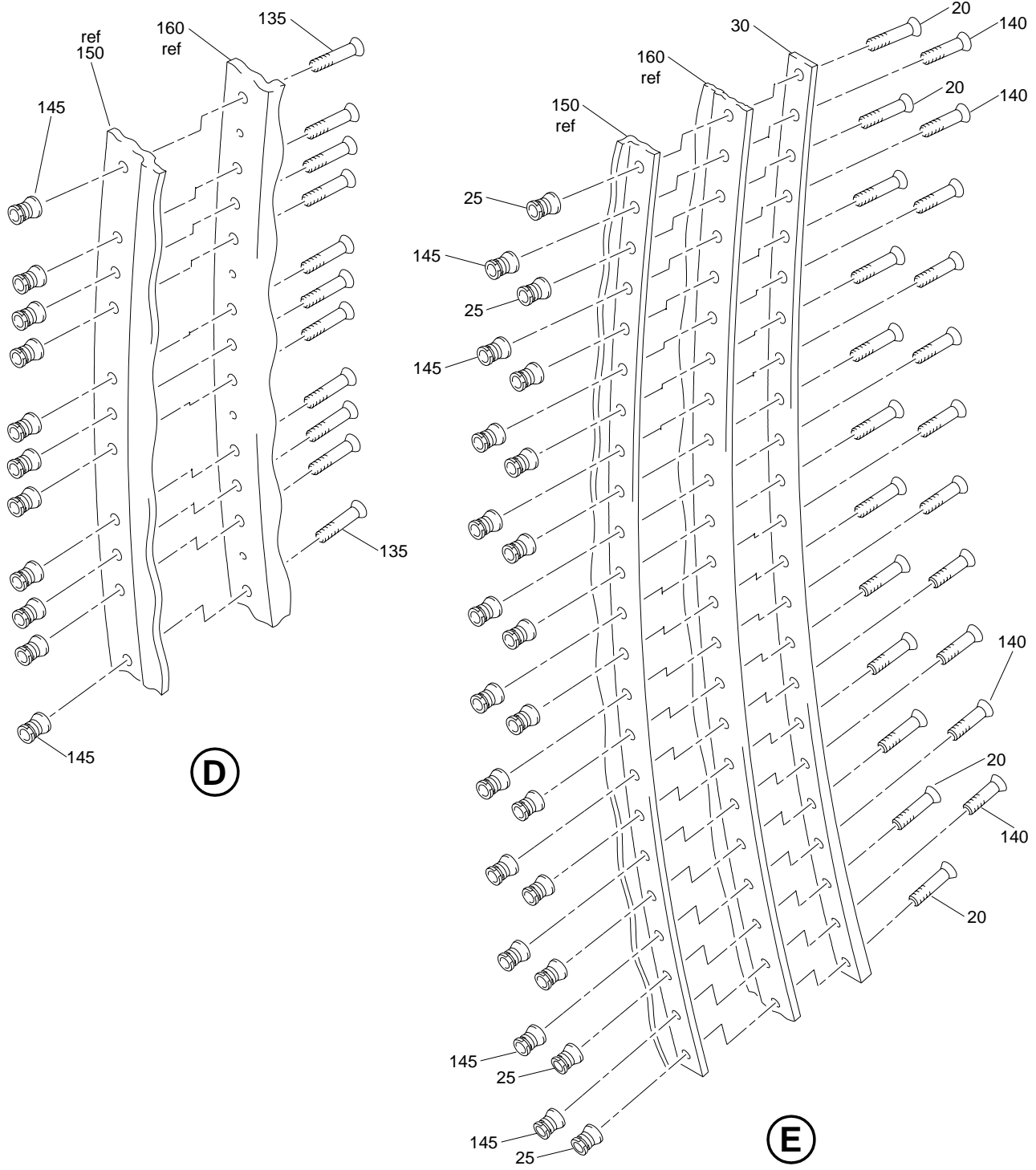
ILLUSTRATED PARTS LIST
01.1 Page 1098L
Jul 01/03



Cascade Support Ring Assembly
Figure 12 (Sheet 3)

71-11-32

ILLUSTRATED PARTS LIST
01.1 Page 1098M
Jul 01/03



Cascade Support Ring Assembly
 Figure 12 (Sheet 4)

71-11-32

ILLUSTRATED PARTS LIST
 01.1 Page 1098N
 Jul 01/03


BOEING
 COMPONENT
 MAINTENANCE MANUAL

FIG. & ITEM	PART NO.	AIRLINE PART NUMBER	NOMENCLATURE 1234567	EFF CODE	QTY PER ASSY
12- -1A	315T3204-21		RING ASSY-CACADE SPRT, AFT (POST SB 767-78A0089)	A,C,E ,G, J-P,Y ,AA,A B	RF
-5	315T3204-22		RING ASSY-CACADE SPRT, AFT (POST SB 767-78A0089)	B,D,F ,H,Z, AC,AD	RF
10	BACR15FP5MPR		.RIVET- (SIZE DETERMINE ON INST)	A-P, Y-AD	4
15	315T3222-9		.BUSHING	A-P, Y-AD	1
20	HL13VAZ6-4		.BOLT- (V56878) (SPEC BACB30NY6K4) (OPT HL13VAZ6-4 (V73197)) (OPT HL13VAZ6-4 (V92215)) (OPT HL13VAZ6-4 (V97928)) (OPT L801-6K4 (V06725)) (OPT HL13VAZ6-4 (V60516)) (OPT L801-6K4 (V0PTK6)) (OPT HL13VAZ6-4 (V17446))	A-P, Y-AD	72
25	HL79-6		.COLLAR- (V5M902) (SPEC BACC30M6) (OPT HL79-6 (V73197)) (OPT HL79-6 (V92215)) (OPT 66014-6 (V56878)) (OPT HL79-6 (V56878))	A-P, Y-AD	72

71-11-32

ILLUSTRATED PARTS LIST

01.1 Page 10980

Jul 01/03

FIG. & ITEM	PART NO.	AIRLINE PART NUMBER	NOMENCLATURE 1234567	EFF CODE	QTY PER ASSY
12-30	315T3220-1		.STRIP-RUB	A-P, Y-AD	6
R 35	HL11VAZ6-5		.BOLT- (V60516) (SPEC BACB30NW6K5) (OPT B30NW6K5 (V97928)) (OPT HL11VAZ6-5 (V73197)) (OPT HL11VAZ6-5 (V92215)) (OPT HL11VAZ6-5 (V97928)) (OPT L803-6K5 (V06725)) (OPT HL11VAZ6-5 (V0PTK6)) (OPT HL11VAZ6-5 (V56878))	A-P, Y-AD	4
40	BACB30MY6K4		.BOLT	A-P, Y-AD	4
45	BACB30MY6K10		.BOLT	A-P, Y-AD	1
50	BACN10YT3CS		.NUT	A-P, Y-AD	4
55	HL79-6		.COLLAR- (V5M902) (SPEC BACC30M6) (OPT HL79-6 (V73197)) (OPT HL79-6 (V92215)) (OPT 66014-6 (V56878)) (OPT HL79-6 (V56878))	A-P, Y-AD	5
60	BACR15CE8KE20		.RIVET	A-P, Y-AD	6
65	BACR15CE8KE17		.RIVET	A-P, Y-AD	4
70	BACR15BA8KE22C		.RIVET	A-P, Y-AD	5

71-11-32

 ILLUSTRATED PARTS LIST
 01.1 Page 1098P
 Jul 01/03


BOEING
 COMPONENT
 MAINTENANCE MANUAL

FIG. & ITEM	PART NO.	AIRLINE PART NUMBER	NOMENCLATURE 1234567	EFF CODE	QTY PER ASSY
12-75	BACR15BA8KE19C		.RIVET	A-P, Y-AD	5
80	315T4216-5		.FITTING-ATTACH, UPR	A,C,E ,G, J-P,Y ,AA,A B	1
-85	315T4216-6		.FITTING-ATTACH, UPR	B,D,F ,H,Z, AC,AD	1
90	BACS40R011B028F		.SHIM	A-P, Y-AD	AR
95	BACS40R022C058F		.SHIM	A-P, Y-AD	AR
100	BACS40R021B035F		.SHIM	A-P, Y-AD	AR
105	315T4203-7		.FITTING-ATTACH, LWR (OPT ITEM 105A)	A,C,E ,G, J-P,Y ,AA,A B	1
-105A	315T4203-9		.FITTING-ATTACH, LWR (OPT ITEM 105)	A,C,E ,G, J-P,Y ,AA,A B	1
-110	315T4203-8		.FITTING-ATTACH, LWR (OPT ITEM 110A)	B,D,F ,H,Z, AC,AD	1
-110A	315T4203-10		.FITTING-ATTACH, LWR (OPT ITEM 110)	B,D,F ,H,Z, AC,AD	1

71-11-32

ILLUSTRATED PARTS LIST

01.1 Page 1098Q

Jul 01/03

FIG. & ITEM	PART NO.	AIRLINE PART NUMBER	NOMENCLATURE 1234567	EFF CODE	QTY PER ASSY
12-115	BACS40R011C033F		.SHIM	A-P, Y-AD	AR
120	BACS40R022C065F		.SHIM	A-P, Y-AD	AR
125	BACS40R011B033F		.SHIM	A-P, Y-AD	AR
130	BACS40R021B029F		.SHIM	A-P, Y-AD	AR
R 135	HL11VAZ6-5		.BOLT- (V60516) (SPEC BACB30NW6K5) (OPT B30NW6K5 (V97928)) (OPT HL11VAZ6-5 (V73197)) (OPT HL11VAZ6-5 (V92215)) (OPT HL11VAZ6-5 (V97928)) (OPT L803-6K5 (V06725)) (OPT HL11VAZ6-5 (V0PTK6)) (OPT HL11VAZ6-5 (V56878))	A-P, Y-AD	100
R 140	HL11VAZ6-3		.BOLT- (V60516) (SPEC BACB30NW6K3) (OPT B30NW6K3 (V97928)) (OPT HL11VAZ6-3 (V73197)) (OPT HL11VAZ6-3 (V92215)) (OPT HL11VAZ6-3 (V97928)) (OPT L803-6K3 (V06725)) (OPT HL11VAZ6-3 (V0PTK6)) (OPT HL11VAZ6-3 (V56878))	A-P, Y-AD	66

71-11-32

 ILLUSTRATED PARTS LIST
 01.1 Page 1098R
 Jul 01/03


BOEING
 COMPONENT
 MAINTENANCE MANUAL

FIG. & ITEM	PART NO.	AIRLINE PART NUMBER	NOMENCLATURE 1234567	EFF CODE	QTY PER ASSY
12-145	HL79-6		.COLLAR- (V5M902) (SPEC BACC30M6) (OPT HL79-6 (V73197)) (OPT HL79-6 (V92215)) (OPT 66014-6 (V56878)) (OPT HL79-6 (V56878))	A-P, Y-AD	166
150	315T3224-9		.SEGMENT-RING, OUTER	A,C,E ,G, J-P,Y ,AA,A B	1
-155	315T3224-10		.SEGMENT-RING, OUTER	B,D,F ,H,Z, AC,AD	1
160	315T3223-5		.RING-INNER	A-P, Y-AD	1

- Item Not Illustrated

71-11-32

ILLUSTRATED PARTS LIST

01.1 Page 1098S

Jul 01/03